

Application



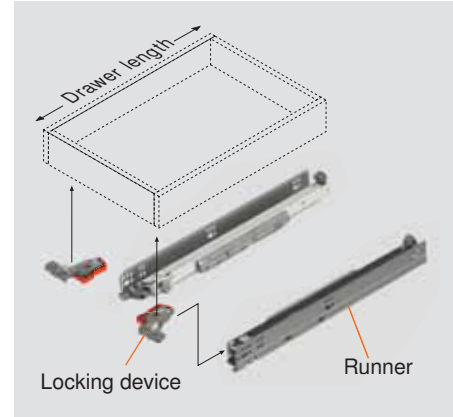
Features

- Four-dimensional adjustment
- Elongated holes for depth adjustment
- Bottom mount holes
- 125 lb static load capacity

Description

- Full extension concealed runners
- Face frame or frameless cabinets
- BLUMOTION soft closing
- Smooth running action
- Available in 12" to 21" lengths
- 13 (1/2") to 16 (5/8") drawer thickness
- Compatible with TIP-ON BLUMOTION and SERVO-DRIVE

Basic Components



Components

Runner set

One set required per drawer



| For overall cabinet depth | Drawer length | MOVENTO |
|-------------------------------|---------------|--------------|
| 610 (24") | 533 (21") | 763H5330S |
| 533 (21") | 457 (18") | 763H4570S |
| 457 (18") | 381 (15") | 763H3810S |
| 381 (15") | 305 (12") | 763H3050S |
| Wood screw for installation | | 606N or 606P |
| System screw for installation | | 662.1150.HG |

Standard locking device with side-to-side adjustment



- One right and one left required per drawer
- Captive right and self-aligning left device
- Self-adjusting drawer length tolerance
- Steel base with synthetic, spring-loaded release levers
- Minimum inside drawer width 170 (6-11/16")
- Side-to-side adjustment ±1.5 (1/16")
- For use with MOVENTO runners only
- For other options see page 26

Part no.

Right locking device **T51.7601 R**

Installation Left locking device **T51.7601 L**

page 7 Installation screw **606N or 606P**

Rear mounting bracket for frame cabinets



For use when installing MOVENTO runners in face frame cabinets. Not necessary for frameless cabinet installation.

- Two required per drawer
- Depth and lateral self-alignment
- Zinc-coated steel
- Not for use with TIP-ON BLUMOTION

Part no.

Non-handed bracket **295.3750.02**

Installation screw **606N or 606P**

Locking device spacer for thin fronts



- Works with MOVENTO locking devices
- 12 (15/32") and 13 (1/2") sub-fronts only

Part no.

T59.K010M

Installation screw **6064N**

Optional TIP-ON BLUMOTION

- Enables MOVENTO drawers to be opened with just a light touch of the drawer front and retain BLUMOTION soft closing action
- Fully mechanical motion
- Can be used with or without pulls
- Minimum opening width 281 (11-1/16")

page 14 - 19

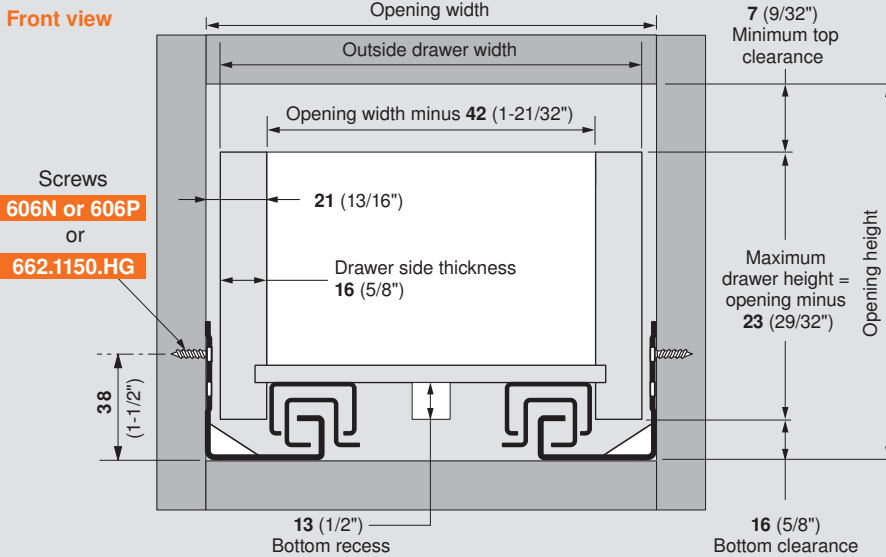
Drawer and Cabinet Specifications

| | |
|--------------------------|-----------|
| Maximum drawer thickness | 16 (5/8") |
| Lengths available | 12" - 21" |
| Static load capacity | 125 lb |

MOVENTO



Drawer box specifications



NOTE: Drawer side material thickness may vary. Accurate measurement of drawer side material thickness should be used when calculating outside drawer width using the table below. Inside drawer width **must** equal opening width minus 42 (1-21/32") for MOVENTO runners to align and function optimally.

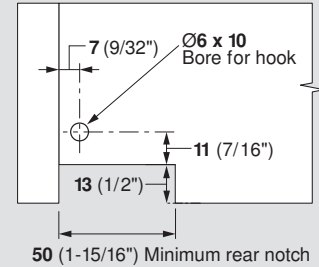
Calculating outside drawer width

| | | | | |
|---------------------------|-------------|-------------|-----------|-------------|
| For drawer side thickness | 16 (5/8") | 15 (19/32") | 13 (1/2") | 12 (15/32") |
| Deduct from opening width | 10 (13/32") | 12 (15/32") | 16 (5/8") | 18 (23/32") |

Example: For 21" opening width and a 5/8" thick drawer, 21" minus 13/32" = 20-19/32" drawer width

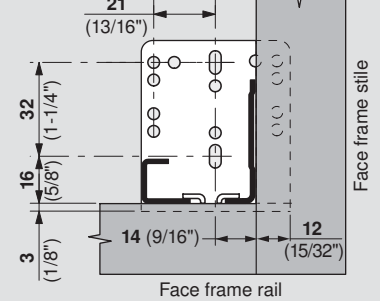
Drawer back preparation

Rear view



Rear mounting bracket

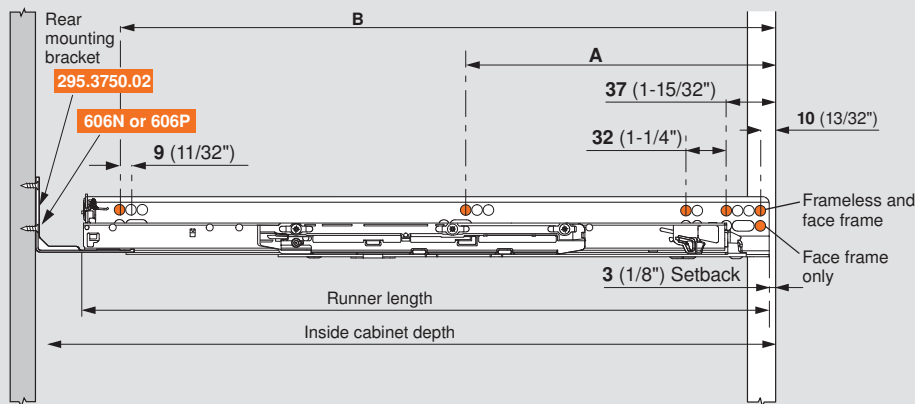
Front view



NOTE: For frame applications, use a minimum of three screws per bracket

Runner mounting specifications

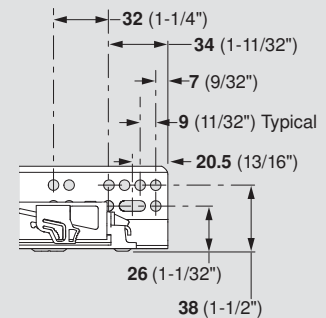
Side view



NOTE: The orange dots indicate fixing screw locations required to meet specified load ratings.

NOTE: If using 15/32" or 1/2" drawer thickness without T59.K010M, subtract 3 (1/8") from setback and screw locations.

Runner close-up



NOTE: Elongated holes are for ±4.5 (3/16") depth adjustment only. Additional screws must be used to secure the runner to the cabinet.

| MOVENTO | Drawer length | Inside cabinet depth with rear attachment | | Runner length | Screw locations for frameless cabinets | |
|-----------|---------------|---|-----------------|-----------------|--|-----------------|
| | | Maximum | Minimum | | A | B |
| 763H5330S | 533 (21") | 599 (23-19/32") | 557 (21-15/16") | 548 (21-9/16") | 261 (10-9/32") | 517 (20-11/32") |
| 763H4570S | 457 (18") | 522 (20-9/16") | 480 (18-29/32") | 471 (18-17/32") | 261 (10-9/32") | 453 (17-27/32") |
| 763H3810S | 381 (15") | 446 (17-9/16") | 404 (15-29/32") | 395 (15-9/16") | 165 (6-1/2") | 357 (14-1/16") |
| 763H3050S | 305 (12") | 370 (14-9/16") | 328 (12-29/32") | 319 (12-9/16") | 165 (6-1/2") | 261 (10-9/32") |