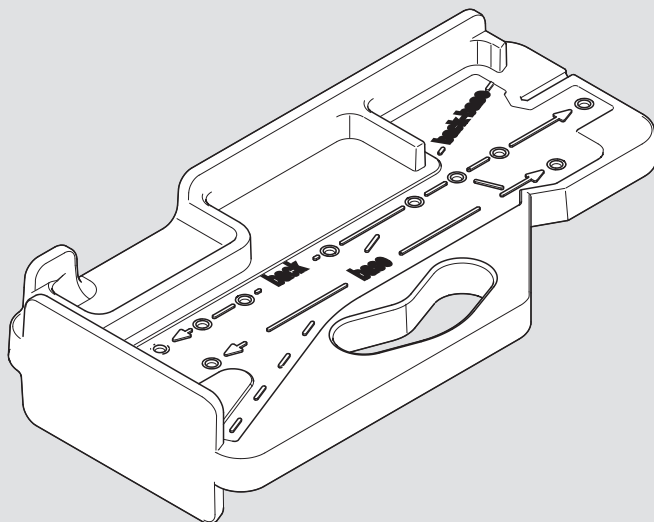


ZML.7000

 **blum**<sup>®</sup>

ML

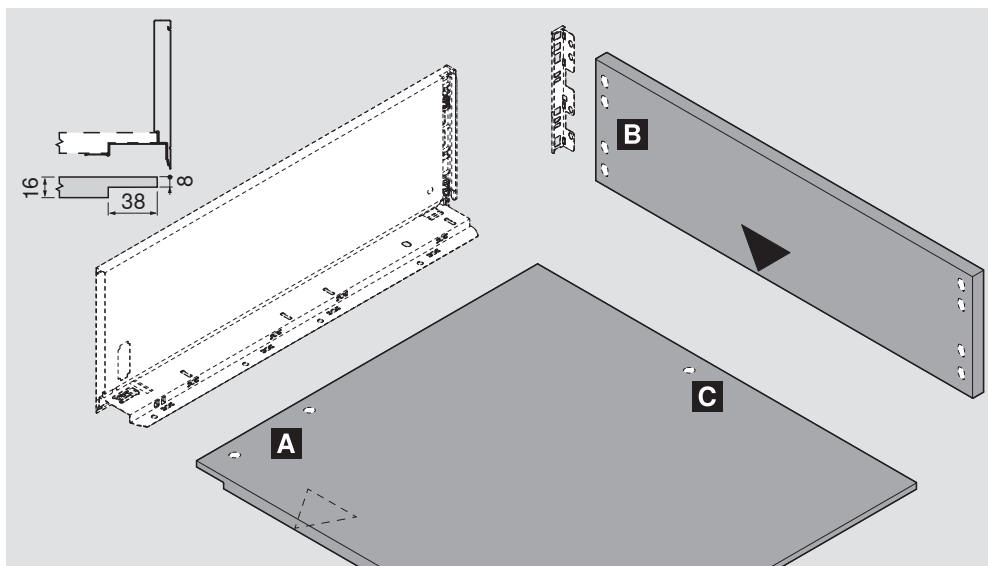
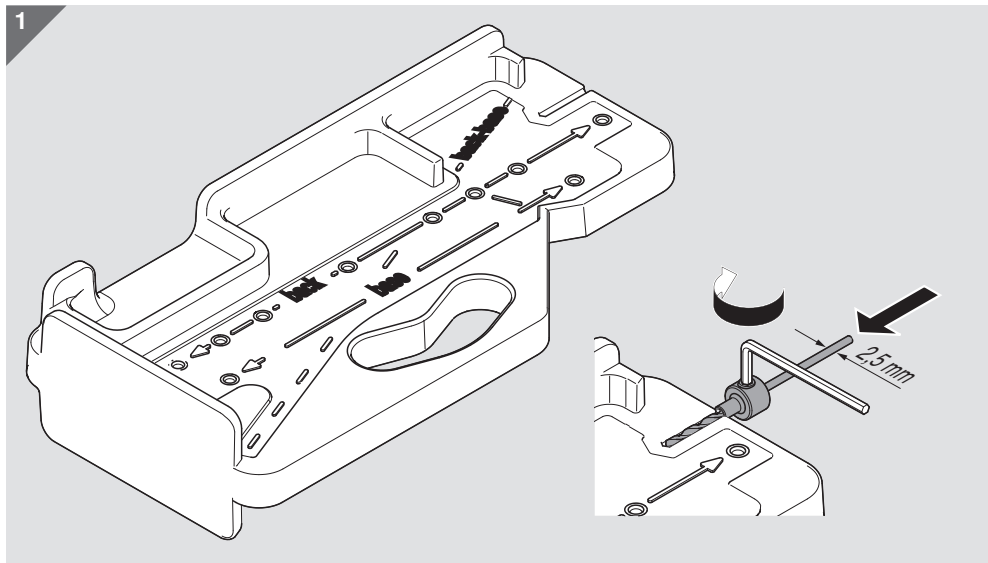


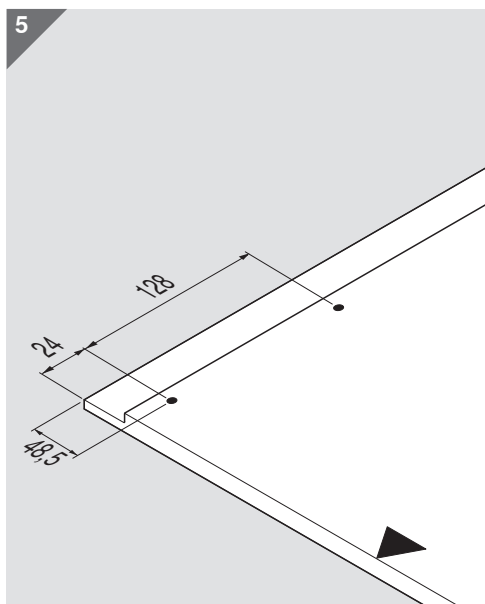
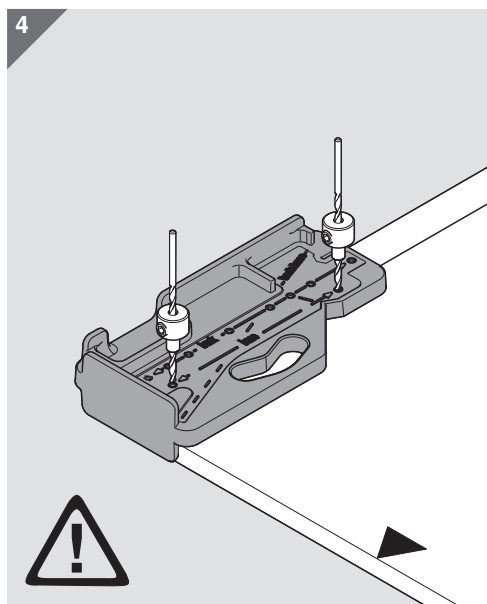
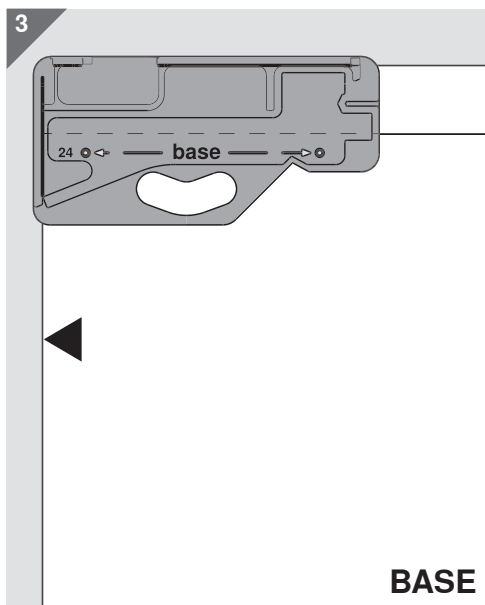
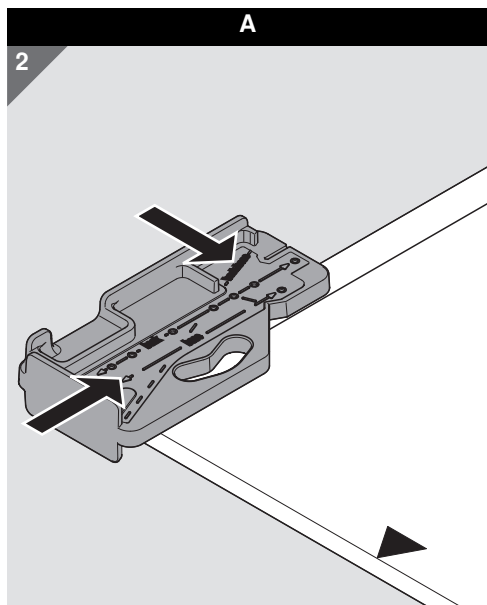
BAU003705413 · IDX: 00 · IDNR: 726.782.9 · BA-1570ML · 12.13 · Copyright Blum

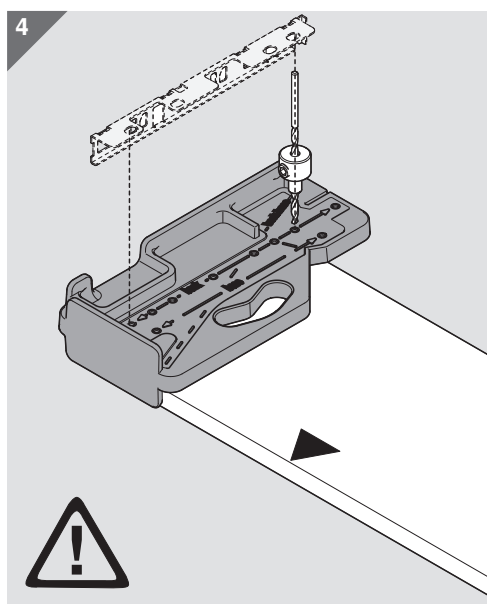
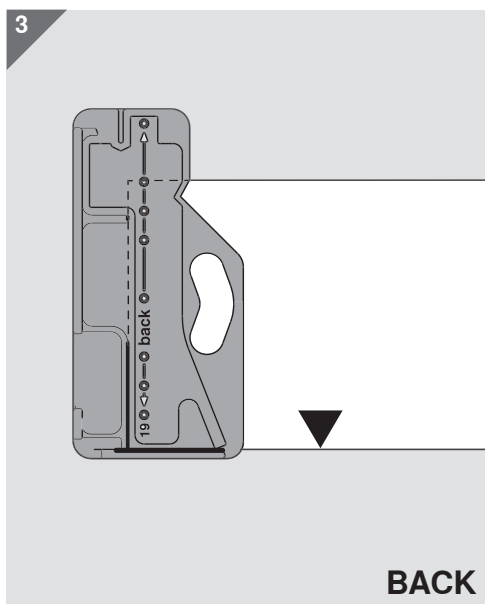
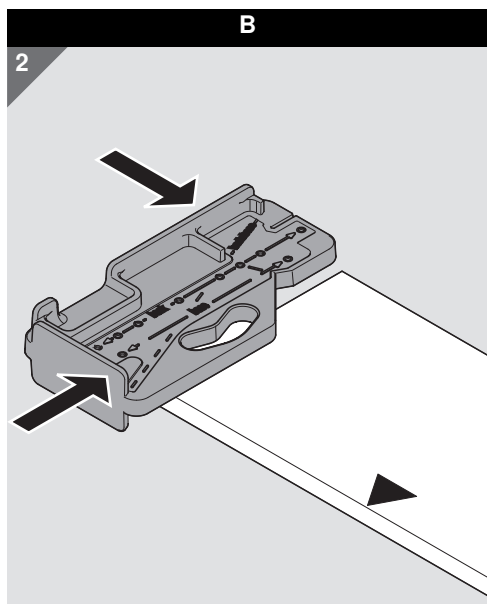
Julius Blum GmbH, Beschlägefabrik, 6973 Höchst, Austria,

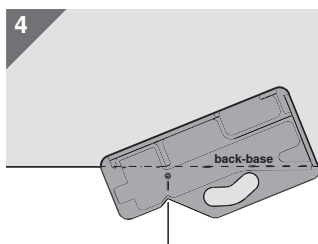
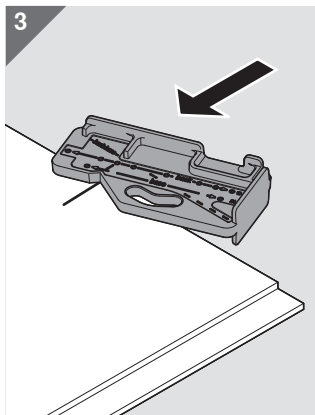
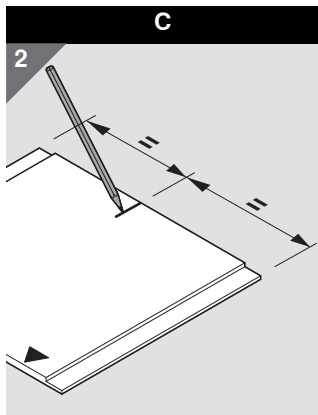
Tel.: +43 5578 705-0, Fax: +43 5578 705-44, E-Mail: [info@blum.com](mailto:info@blum.com), [www.blum.com](http://www.blum.com)

ML

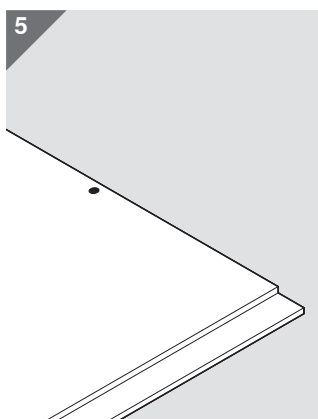
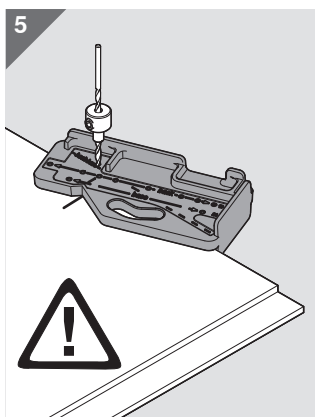








**BACK-BASE**



Julius Blum GmbH  
 Beschlägefabrik  
 6973 Höchst, Austria  
 Tel.: +43 5578 705-0  
 Fax: +43 5578 705-44  
 E-Mail: [info@blum.com](mailto:info@blum.com)  
[www.blum.com](http://www.blum.com)

 **blum**®

**ISO 50001**  
 Certified Energy  
 System



**ISO 14001**  
 Certified Environmental  
 System



**ISO 9001**  
 Certified Quality  
 System



BAU0033705413 · IDX: 03 · IDNR: 646:109.6 · BA-15710ML · 12.13 · Copyright Blum