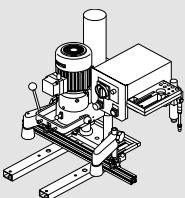
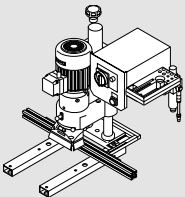
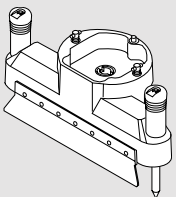
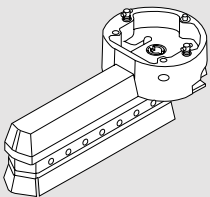
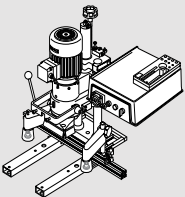
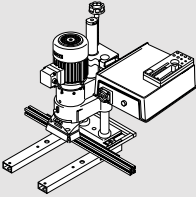


MINIPRESS / MINIDRILL spare parts

For machines manufactured before 01/2007

Machines and attachments

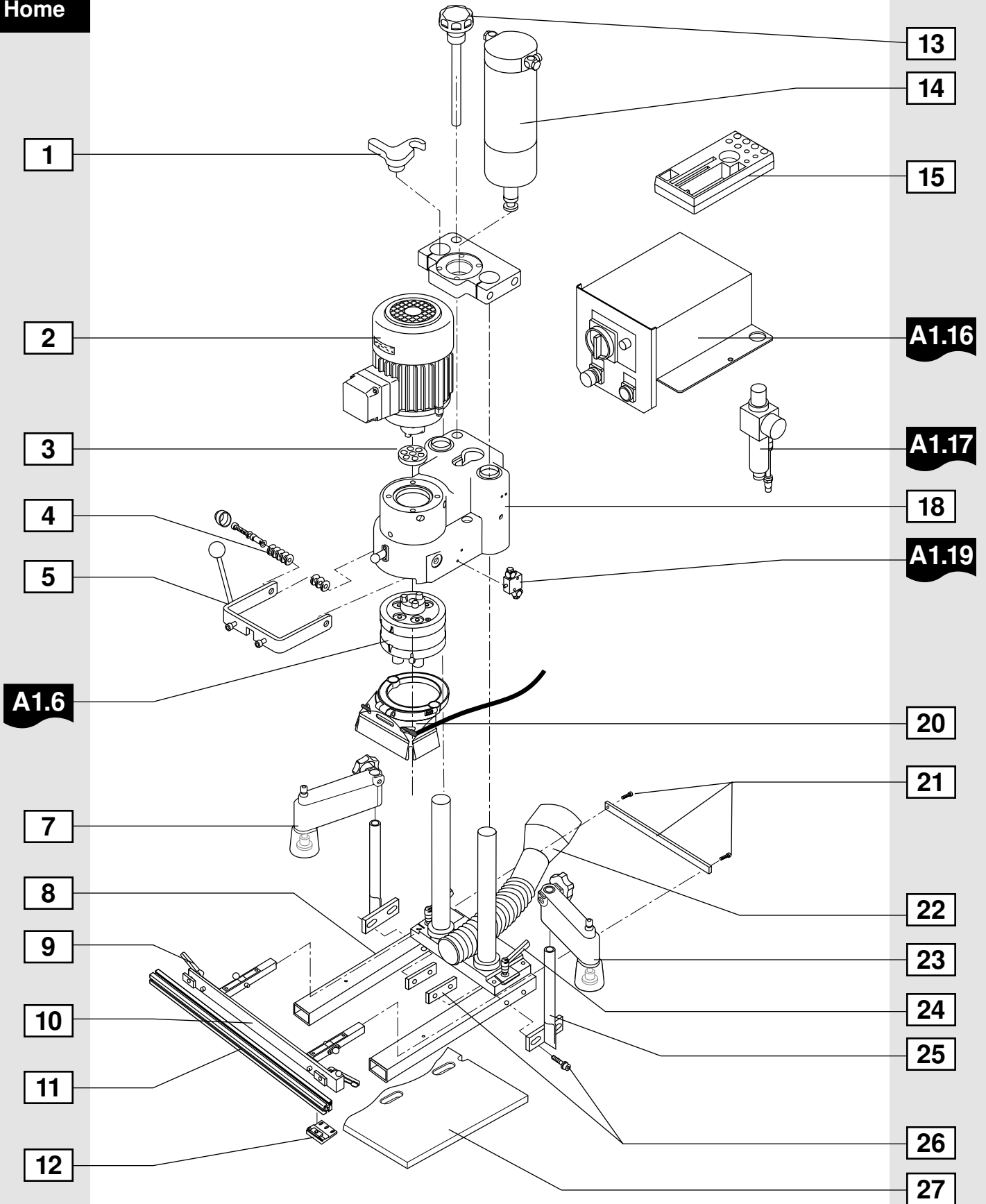
Machine	Machine type	Section
	MINIPRESS Serial num: EA, FA, GA	A1
	MINIDRILL Serial num: EM, FM, GM	A2
	7-Spindle head (MZX.1000) Serial num: AA, AB, CD, EA	B1
	8-Spindle head (MZX.8000) Serial num: CD, CK	B2
	MP 91 Serial num: CD, CF, CG	A5
	MD 93 Serial num: AA	A6

ATTENTION:

This catalogue is not intended as a substitute for the instruction manual for the equipment or parts which are described. Any use, repair, maintenance, or replacement of parts of this machinery should only be done in accordance with the specific instructions and warnings contained in the operator's manual. That manual should be fully read, understood, and complied with by all persons who are using or servicing this machinery.

THE MANUAL AND THE MACHINERY CONTAIN WARNINGS AND INSTRUCTIONS WHICH MUST BE FOLLOWED. FAILURE TO FOLLOW THE WARNINGS AND INSTRUCTIONS COULD RESULT IN SERIOUS PERSONAL INJURY OR DAMAGE TO THE MACHINERY OR OTHER PROPERTY.

← Home



Parts list

Drawing #	ID number	Item description
1	02451104	Depth gauge for M51P10xx MINIPRESS
2	02536609	Motor (1-phase, 220v) and coupling for M51N10xx machines
2	02612809	Motor (3-phase, 220v) and coupling for M51N10xx machines
2	02536279	Motor (3-phase, 460v) and coupling for M51N10xx machines
	02649801	Capacitor for 1-phase motor (not pictured)
3	02451281	Coupler ring (part of breakaway clutch)
4	06747614	Swing arm mounting kit
5	06634764	Swing arm
A1.6	02502001	Gearbox assembly M51P1303
7	02285329	Hold down clamp, left hand
8	04228104	Base frame of machine MB=23.5
9	06634170	Clamping lever for left and right adjustment of ruler on fencing system
10	04228444	Fencing system
11	06635734	Ruler
12	07982584	Ruler adjustment plate
13	03587634	Depth adjustment screw
14	02624214	Air cylinder for M51P10xx MINIPRESS
15	06474389	Tool holder
A1.16		Control box assembly
A1.17	03975560	Air filter regulator unit for M51P10xx machines
18	04399339	Gearbox housing for M51P10xx MINIPRESS
A1.19		Limit switch assembly
20	02566091	Protective safety shield for the drill bits on the machines
21	07975454	Fence brace bar with M6x10 bolts
22	04399500	Vacuum hose and adapter for M51P10xx machines
23	02285679	Hold down clamp, right hand
24	06634090	Clamp lever with plate (for depth adjustment)
25	06454604	Hold down clamp support
26	06448544	Hold down clamp support plate (nut 70 x 20 x 6mm)
27	06378581	Work table for all machines
	06447224	Hold down clamp pad
	01725701	Hold down clamp safety shield (2 per package)

 **Back**

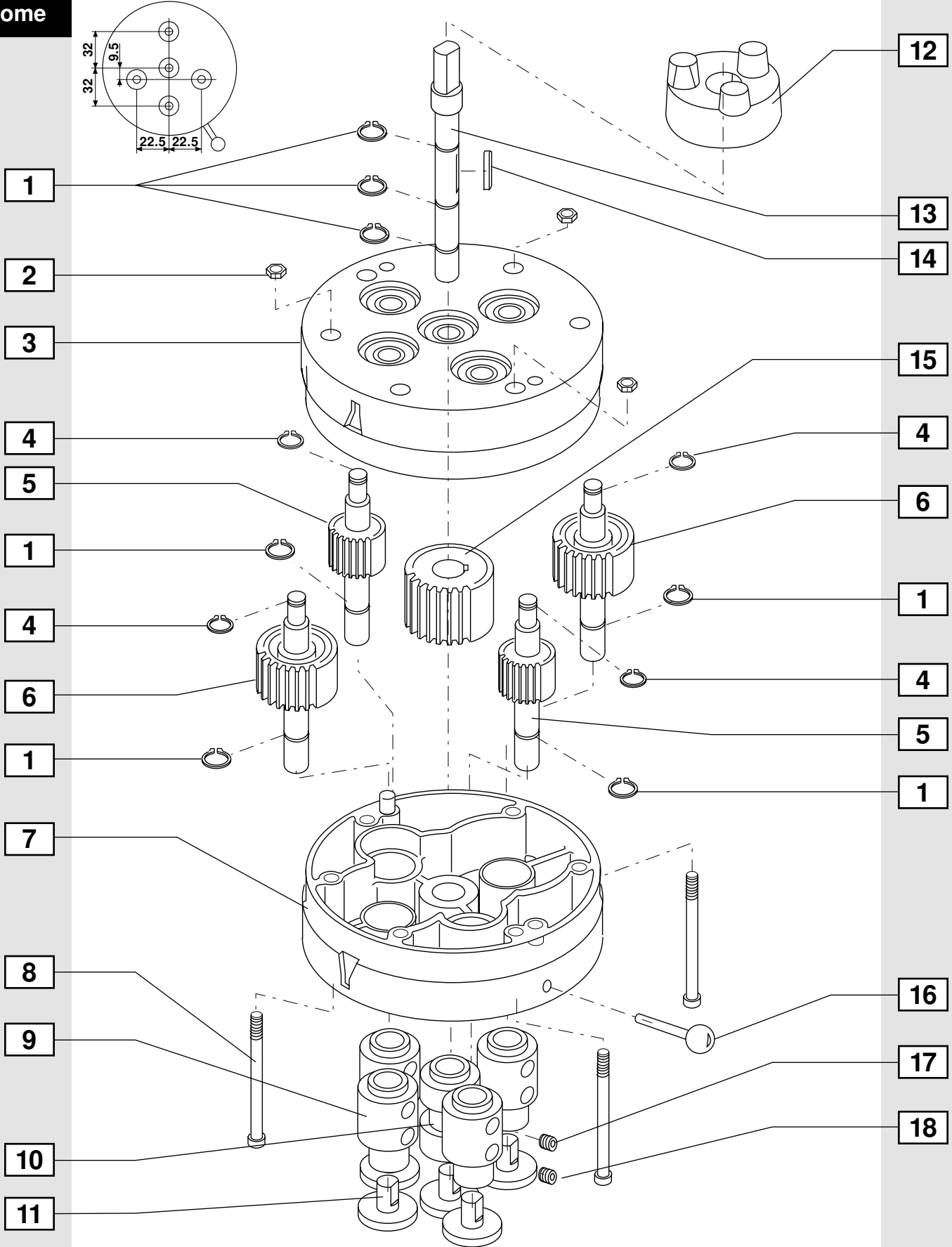
1

Denotes part number in drawing

A1.2

Denotes part number in drawing and links to auxiliary drawing

← Home



Parts list

Drawing #	ID number	Item description
A1.6	02502001	Gearbox assembly M51P1303
1	08087178	10 x 1 snap ring
2	08086017	M6 nut
3	06954324	Top housing with bearings
4	08086950	8 x 0.8 snap ring
5	06954591	Gear spindle small (hinge)
6	06954671	Gear spindle large (line bore)
7	06941774	Bottom housing with bearings
8	06065297	M6 x 60 bolt
9	01428164	Left hand chuck
10	01428244	Right hand chuck
11	06379801	Cover cap for chuck
12	06960651	Coupling (breakaway clutch)
13	02449601	Center spindle
14	07342091	Center gear key
15	06954831	Center gear
16	06570184	Rotator pin
17	04334984	M8 x 8 pointed set screw (for chuck)
18	01886201	M8 x 5 flat set screw (holds bit)
	05885980	Bearing 6000-2RS (top center & bottom outer)
	05885120	Bearing 608-2RS (top small outer)
	08075915	Bearing 5 NX 10 Z (bottom center)
	26151850	Grease kluber GE 46-1200
	02262041	Motor part of coupling

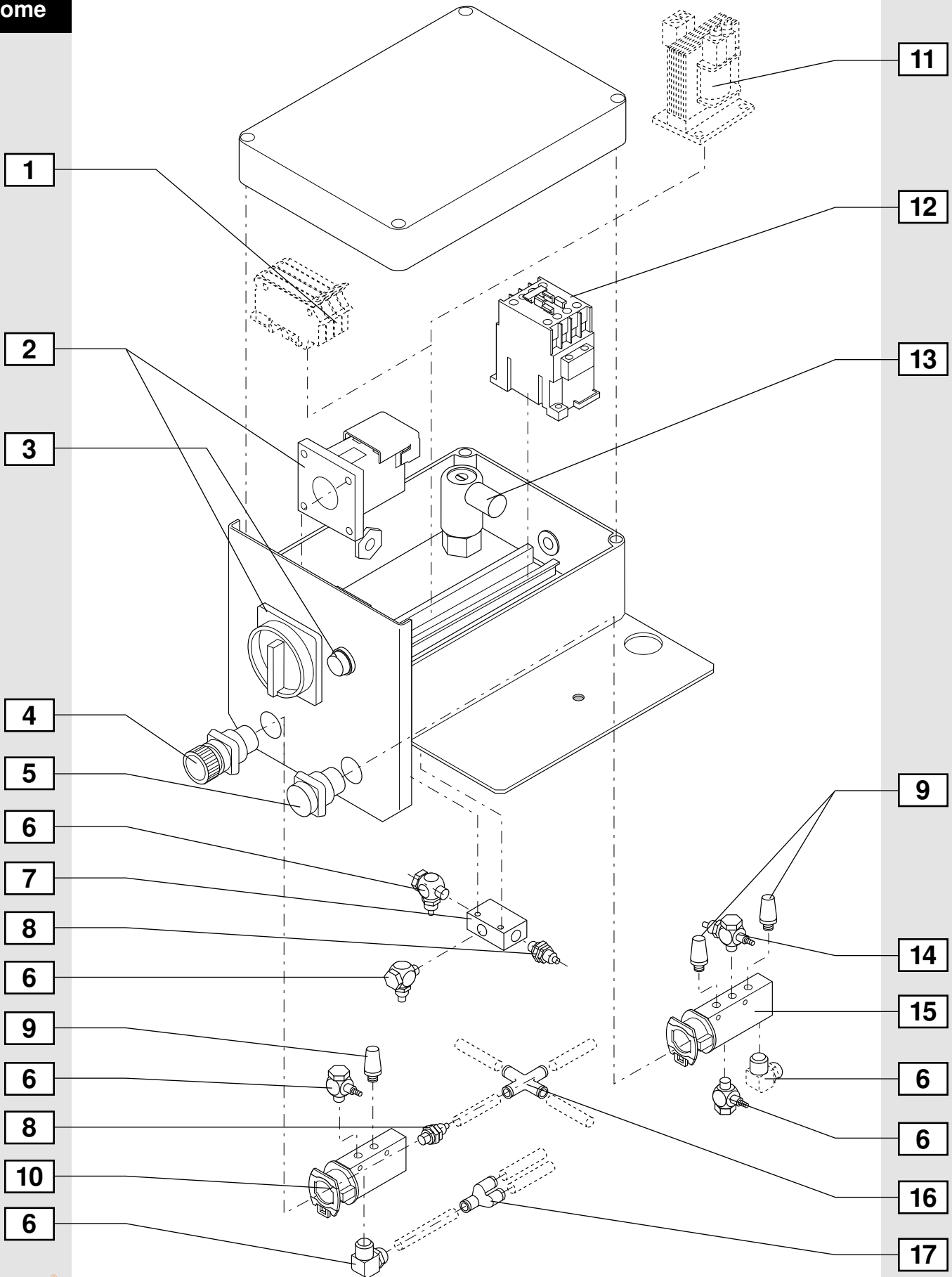
 Back

1

Denotes part number in drawing

A1.2

Denotes part number in drawing and links to auxiliary drawing



Parts list

Drawing #	ID number	Item description
A1.16		Control box assembly
1	04824560	Fuse holder for 220v M51P10xx Machines
2	04552380	Mode switch for M51P10xx machines
3	02456240	Indicator light assembly for mode on M51P10xx machines
	02456160	Indicator light bulb for mode on M51P10xx machines
4	04354804	Push button for clamp valve on m51P10xx MINIPRESS
5	04398874	Push button for stroke valve on M51P10xx machines
6	06450440	Swivel elbow connector (G 1/8 x 6/4 hose)
7	03988600	"AND" valve for M51P10xx machines
8	02454600	Straight connector for M51P10xx machines (G 1/8 x 6/4 hose)
9	01802200	Muffler G 1/8
10	01800330	Clamp valve for M51P10xx MINIPRESS
11	05994850	Transformer for 460v M51P10xx machines
12	02456300	Motor contactor for M51P10xx machines
13	03988890	Pressure switch for M51P10xx machines
	03988970	Connection adaptor for pressure switch on M51P10xx machines (not pictured)
	03989190	Cover for pressure switch on M51P10xx machines (not pictured)
14	01802110	Swivel Tee connector (G 1/8 x 6/4 hose)
15	08585365	Stroke valve for M51P10xx machines
16	03989860	Cross quick connector for M51P10xx machines
17	03989780	"Y" quick connector for M51P10xx machines
	01788700	Fuse

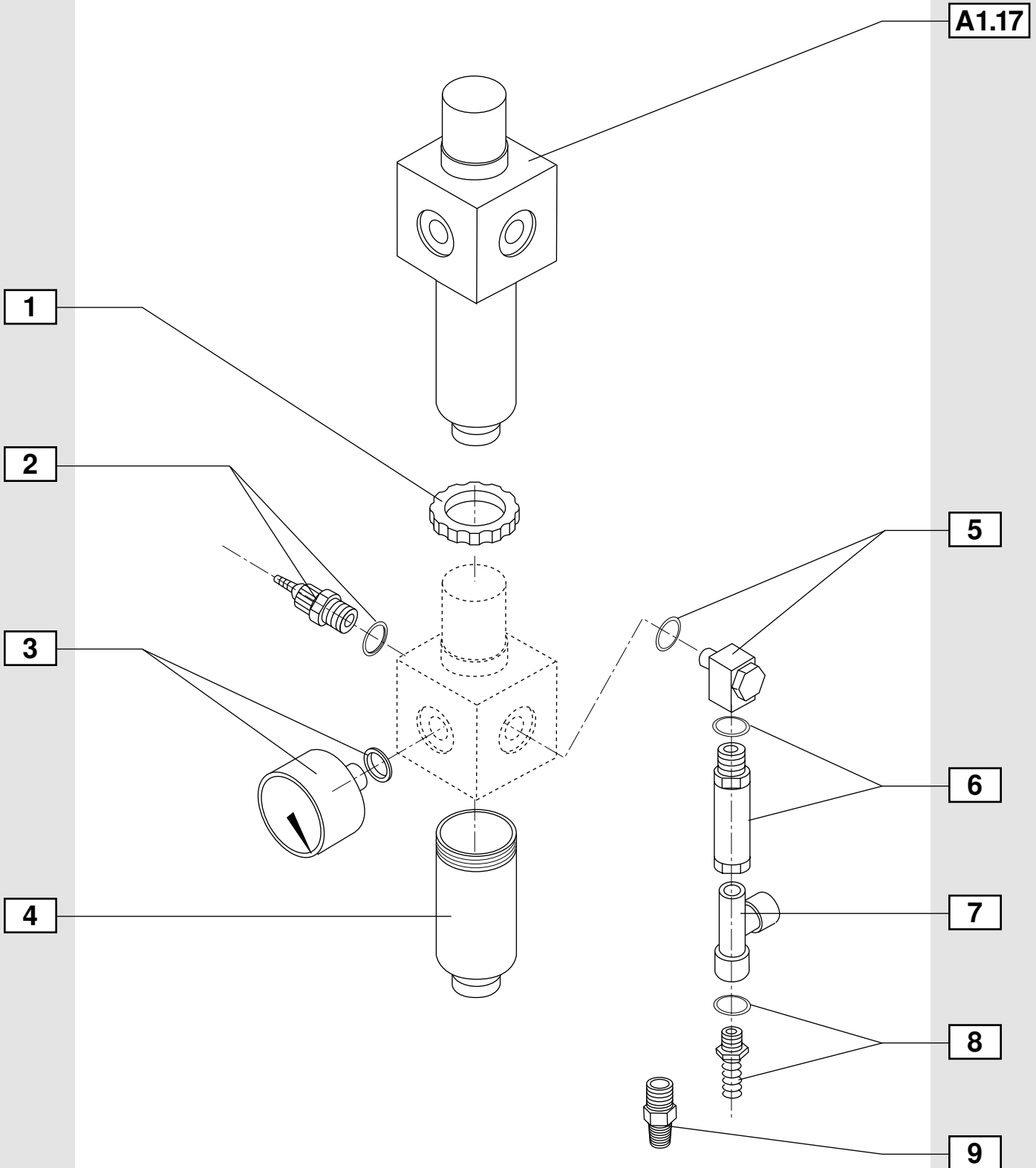
 **Back**

1

Denotes part number in drawing

A1.2

Denotes part number in drawing and links to auxiliary drawing



Parts list

Drawing #	ID number	Item description
A1.17	03975560	Air filter regulator unit for M51P10xx machines
1	04398500	Mounting nut for the air filter regulator unit on M51P10xx machines
2	02454600	Straight connector for M51P10xx machines (G 1/8 x 6/4 hose)
3	04398790	Pressure gauge for filter regulator unit on M51P10xx machines
4	03975480	Replacement filter bowl for M51P10xx machines
5	01897310	Swivel elbow connector block (G 1/8 x G 1/8)
6	01799490	Check valve (Bosch # 0 821 003 001)
7	03989270	"T" connector for M51P10xx machines
8	01799810	1/4 barbed connector (straight connector) G 1/8 x 1/4 ID hose
9	26154870	Air inlet adapter

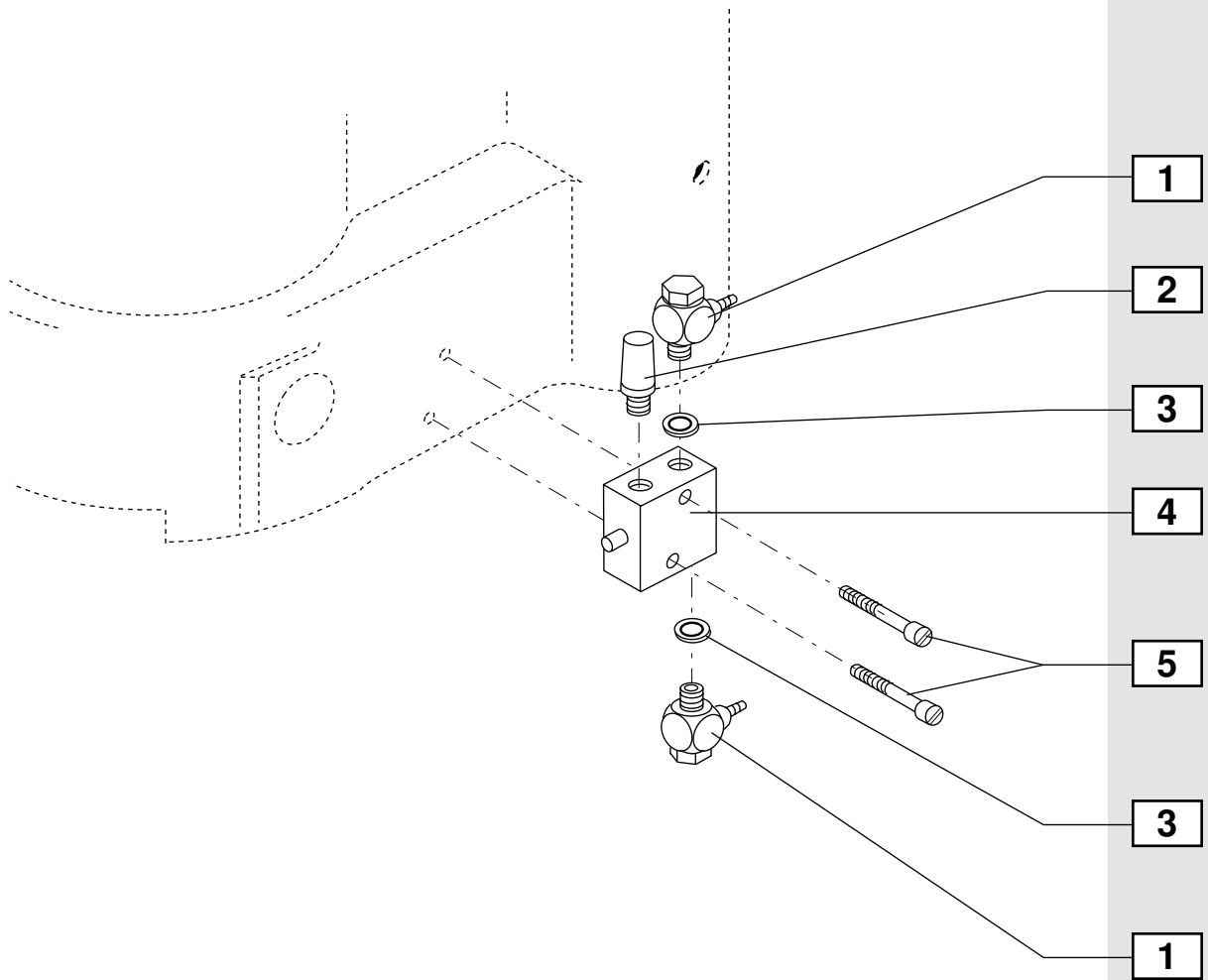
 **Back**

1

Denotes part number in drawing

A1.2

Denotes part number in drawing and links to auxiliary drawing



Parts list

Drawing #	ID number	Item description
A1.19		Limit switch assembly
1	00907010	Swivel connector
2	00949010	Muffler
3	00908160	Seal ring
4	03976000	Swing arm valve (3/2 valve)
5	06064569	M3 x 20mm bolt

 **Back**

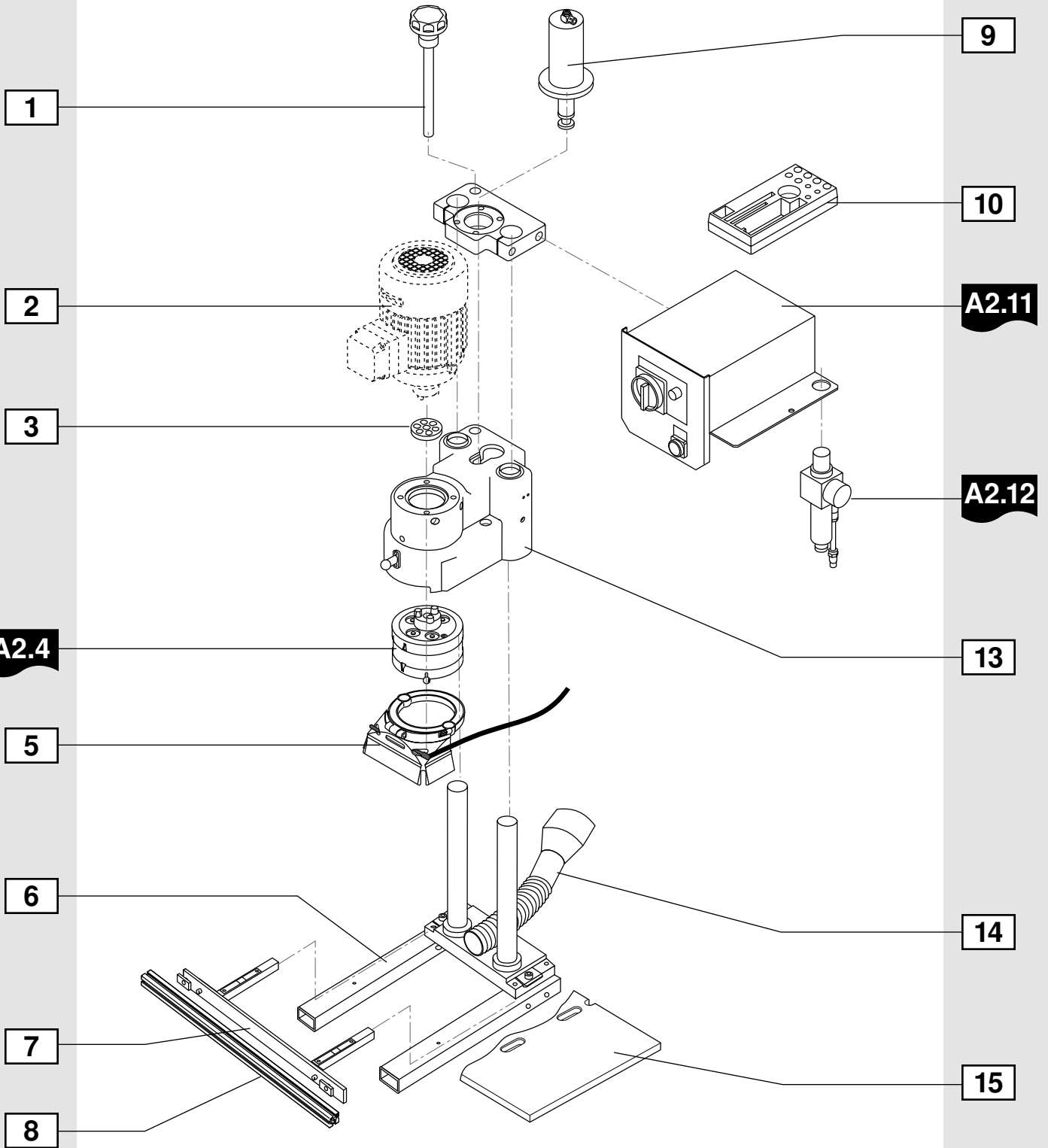
1

Denotes part number in drawing

A1.2

Denotes part number in drawing and links to auxiliary drawing

← Home



Parts list

Drawing #	ID number	Item description
1	03587634	Depth adjustment screw
2	02536609	Motor (1-phase, 220v) and coupling for M51N10xx machines
2	02612809	Motor (3-phase, 220v) and coupling for M51N10xx machines
2	02536279	Motor (3-phase, 440v) and coupling for M51N10xx machines
	02649801	Capacitor for 1-phase motor (not pictured)
3	02451281	Coupler ring (part of breakaway clutch)
A2.4	02502001	Gearbox assembly M51P1303
5	02566091	Protective safety shield for the drill bits on the machines
6	04228104	Base frame
7	04228444	Fencing system
8	06635734	Ruler
9	02546404	Air cylinder for M51P10xx MINIDRILL
10	06474389	Tool holder
A2.11		Control box assembly
A2.12	03975560	Air filter regulator unit for M51P10xx machines
13	04399339	Gearbox housing for M51P10xx MINIPRESS
14	04399500	Vacuum hose and adapter for M51P10xx machines
15	06378581	Work table for all machines

 **Back**

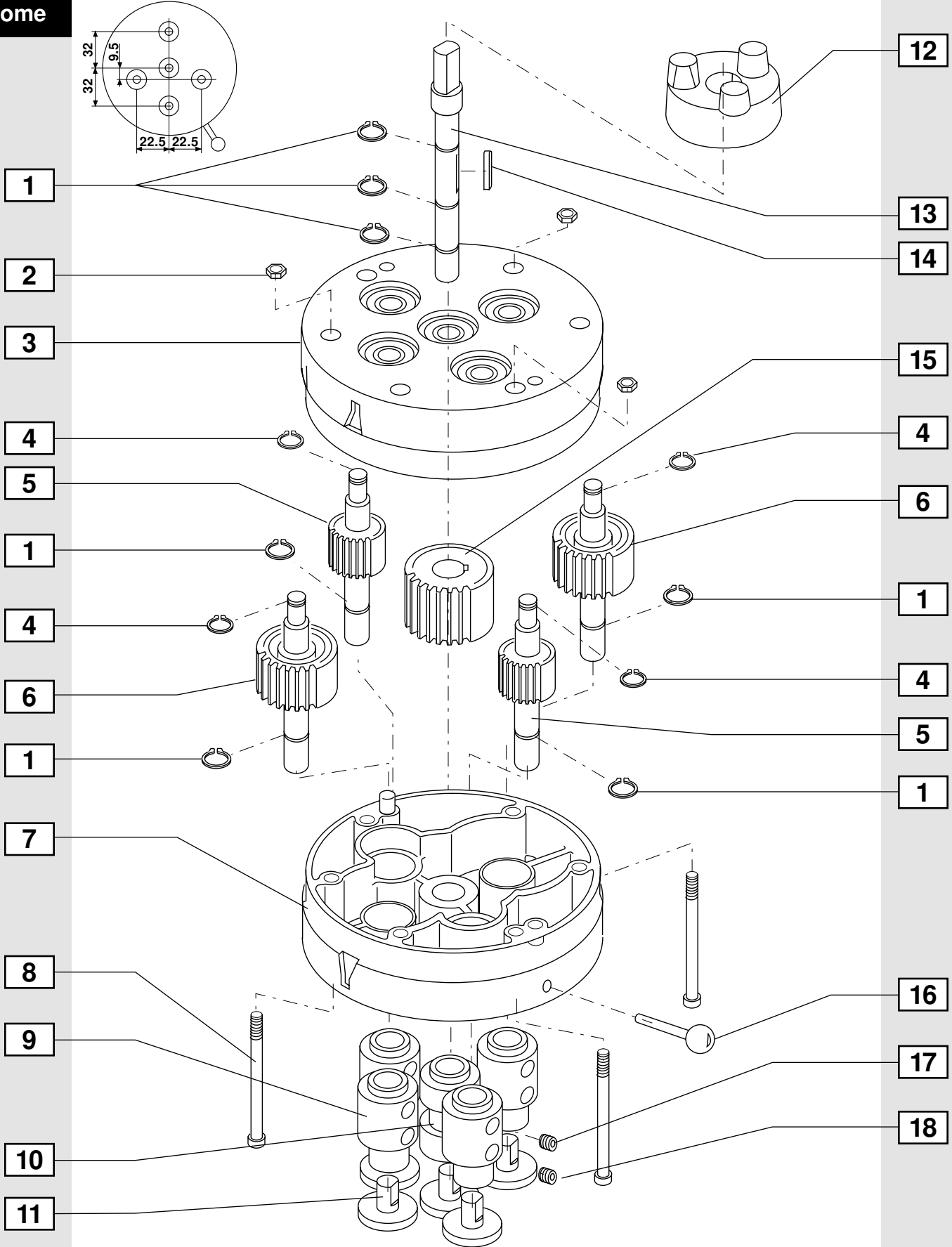
1

Denotes part number in drawing

A1.2

Denotes part number in drawing and links to auxiliary drawing

← Home



Parts list

Drawing #	ID number	Item description
A2.4	02502001	Gearbox assembly M51P1303
1	08087178	10 x 1 snap ring
2	08086017	M6 nut
3	06954324	Top housing with bearings
4	08086950	8 x 0.8 snap ring
5	06954591	Gear spindle small (hinge)
6	06954671	Gear spindle large (line bore)
7	06941774	Bottom housing with bearings
8	06065297	M6 x 60 bolt
9	01428164	Left hand chuck
10	01428244	Right hand chuck
11	06379801	Cover cap for chuck
12	02339351	Coupling (breakaway clutch)
13	02449601	Center spindle
14	07342091	Center gear key
15	06954831	Center gear
16	06570184	Rotator pin
17	04334984	M8 x 8 pointed set screw (for chuck)
18	01886201	M8 x 5 flat set screw (holds bit)
	05885980	Bearing 6000-2RS (top center & bottom outer)
	05885120	Bearing 608-2RS (top small outer)
	08075915	Bearing 5 NX 10 Z (bottom center)
	26151850	Grease kluber GE 46-1200
	06379801	Cover cap for chucks

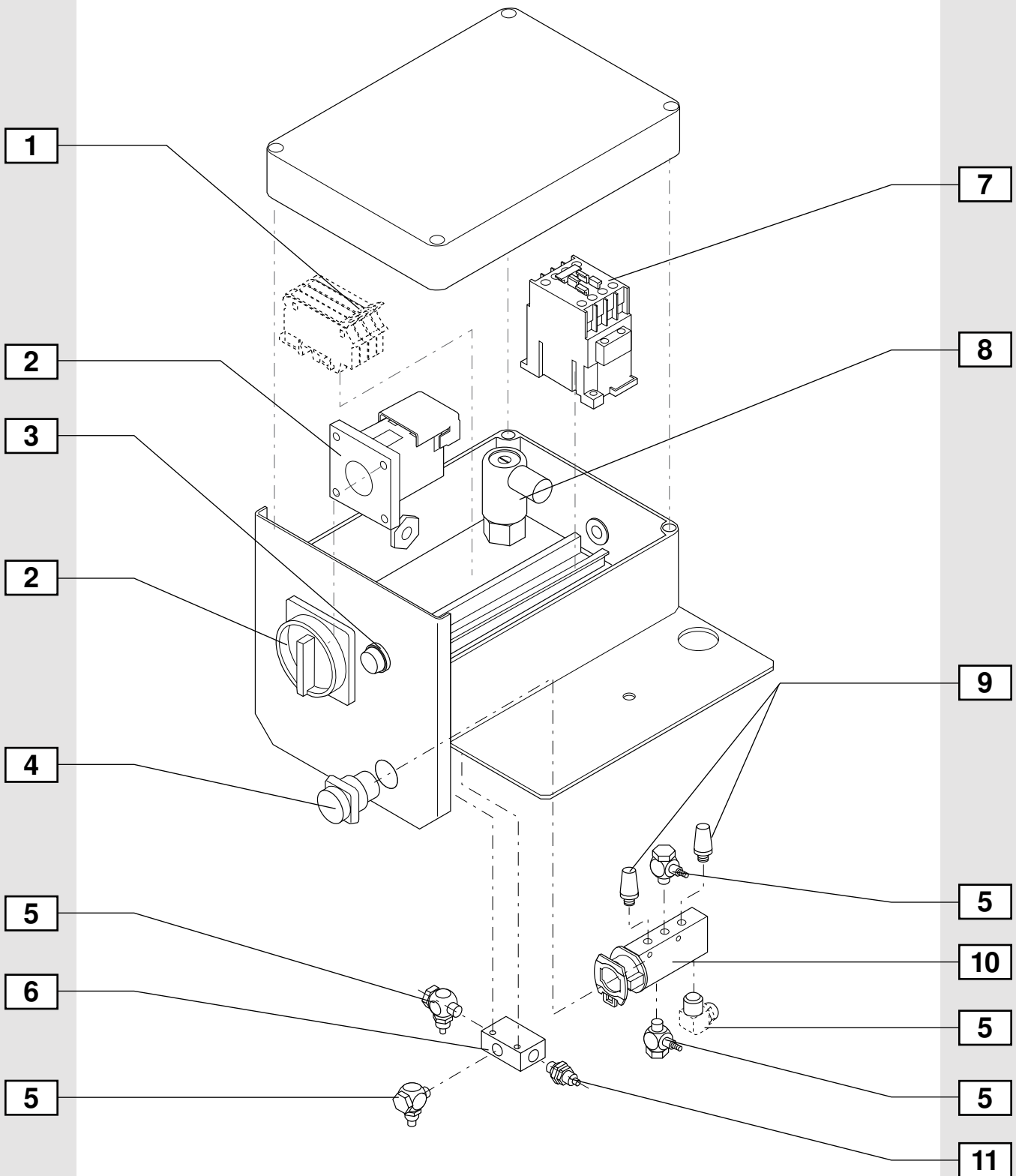
 **Back**

1

Denotes part number in drawing

A1.2

Denotes part number in drawing and links to auxiliary drawing



Parts list

Drawing #	ID number	Item description
A2.11		Control box assembly
1	04824560	Fuse holder for 220v M51P10xx Machines
2	04552380	Mode switch for M51P10xx machines
3	02456240	Indicator light assembly for mode on M51P10xx machines
	02456160	Indicator light bulb for mode on M51P10xx machines
4	04398874	Push button for stroke valve on M51P10xx machines
5	06450440	Swivel elbow connector (G 1/8 x 6/4 hose)
6	03988600	"AND" valve for M51P10xx machines
7	02456300	Motor contactor for M51P10xx machines
8	03988890	Pressure switch for M51P10xx machines
	03988970	Connection adaptor for pressure switch on M51P10xx machines (not pictured)
	03989190	Cover for pressure switch on M51P10xx machines (not pictured)
9	01802200	Muffler G 1/8
10	08585365	Stroke valve for M51P10xx machines
11	02454600	Straight connector for M51P10xx machines (G 1/8 x 6/4 hose)

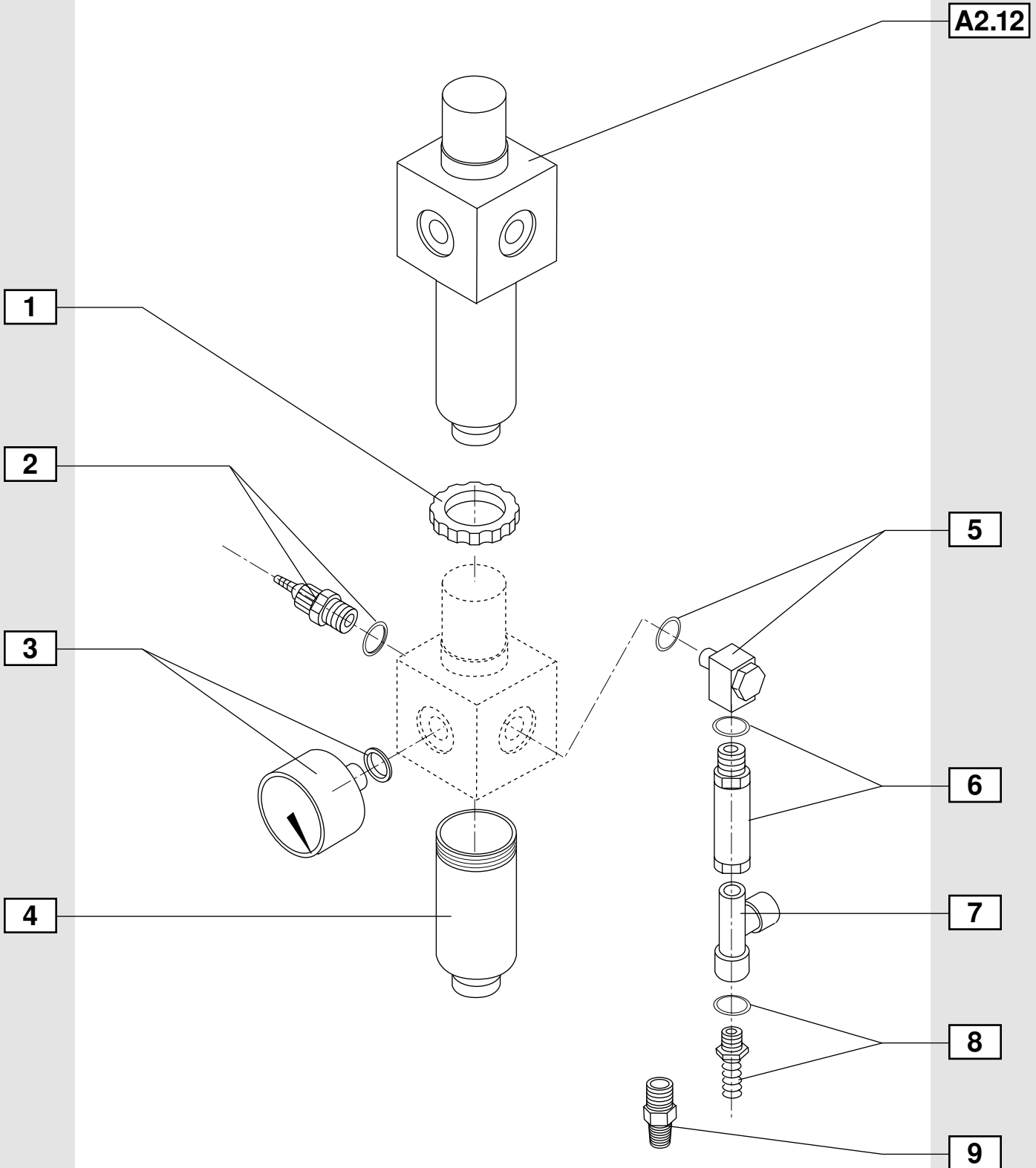
 **Back**

1

Denotes part number in drawing

A1.2

Denotes part number in drawing and links to auxiliary drawing



Parts list

Drawing #	ID number	Item description
A2.12	03975560	Air filter regulator unit for M51P10xx machines
1	04398500	Mounting nut for the air filter regulator unit on M51P10xx machines
2	02454600	Straight connector for M51P10xx machines (G 1/8 x 6/4 hose)
3	04398790	Pressure gauge for filter regulator unit on M51P10xx machines
4	03975480	Replacement filter bowl for M51P10xx machines
5	01897310	Swivel elbow connector block (G 1/8 x G 1/8)
6	01799490	Check valve (Bosch # 0 821 003 001)
7	03989270	"T" connector for M51P10xx machines
8	01799810	1/4 barbed connector (straight connector) G 1/8 x 1/4 ID hose
9	26154870	Air inlet adapter

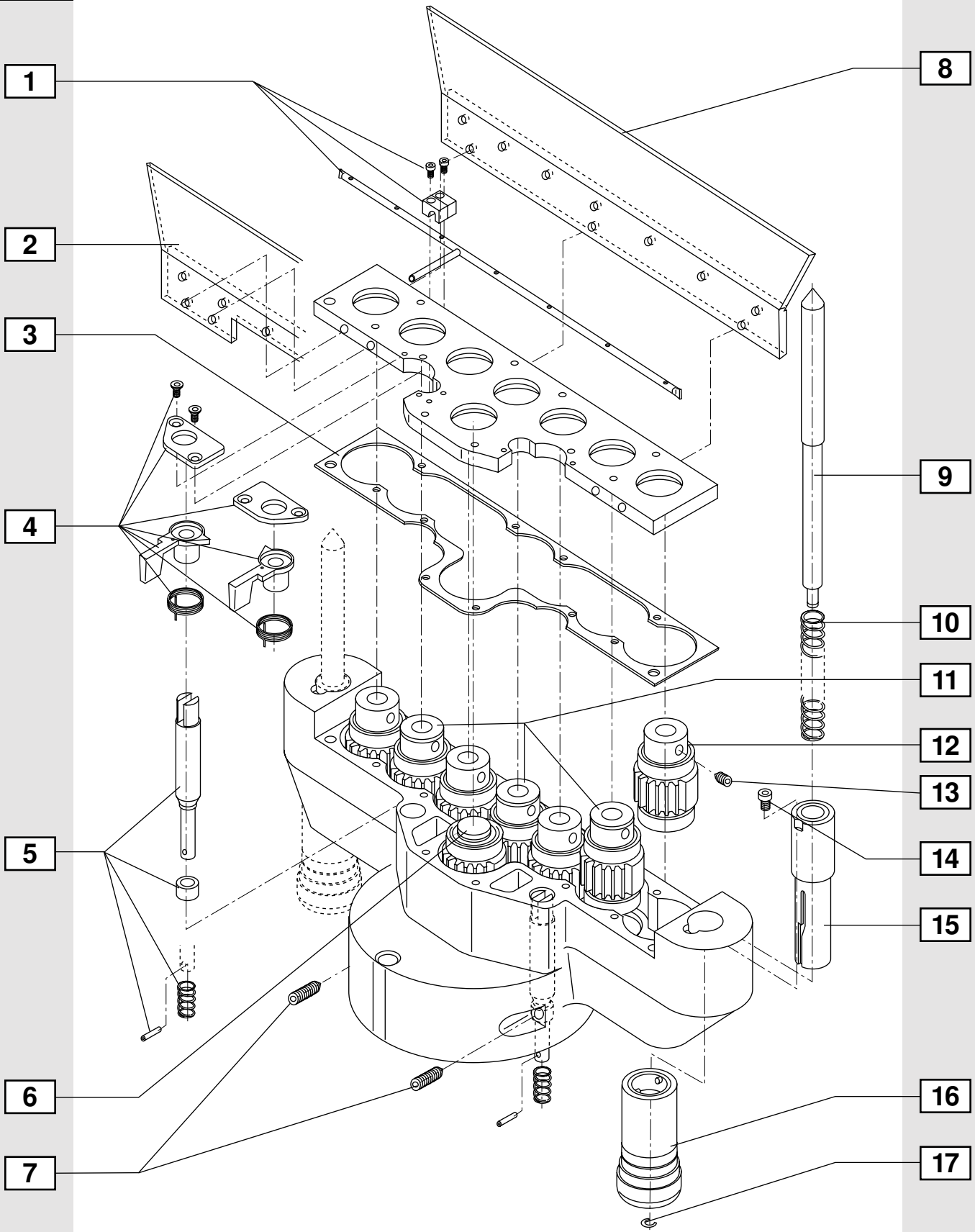
 **Back**

1

Denotes part number in drawing

A1.2

Denotes part number in drawing and links to auxiliary drawing



Parts list

Drawing #	ID number	Item description
B1	05996101	7-spindle head assembly (MZK.1000.US)
1	01717944	Air jet pipe for MZK.1000 7-spindle boring head
	26151691	Air jet clamp with bolt
2	01717601	Rear safety shield for MZK.1000 7-spindle boring head
3	07309550	Gasket for MZK.1000 7-spindle boring head
4		Flipper assembly for 7 & 8-spindle boring heads
	06063082	M3 x 8 flat head bolt
	06894322	Flipper cover plate for 7 & 8-spindle boring heads
	06894164	Flipper, right-hand, for 7 & 8-spindle boring heads
	06894084	Flipper, left-hand, for 7 & 8-spindle boring heads
	06894411	Flipper spring, right-hand, for 7 & 8-spindle boring heads
	06894591	Flipper spring, left-hand, for 7 & 8-spindle boring heads
5	01310751	Release assembly for 7 & 8-spindle boring heads (with tightening set screws)
6	03693904	Drive spindle/gear assembly for MZK.1000 7-spindle boring head
7	07603314	Set screw M8 x 20, used on 7 & 8-spindle boring heads
8	01717511	Front safety shield for MZK.1000 7-spindle boring head
9	06760554	Line-up pin for MZK.1000 7-spindle boring head
10	06760471	Spring for line-up pins on MZK.1000 7-spindle boring head
11	06762844	Gear spindle assembly, left-hand, for 7 & 8-spindle boring heads
	07340399	Orange O-ring to identify left-hand spindles on 7 & 8-spindle boring heads (not pictured)
12	06762764	Gear spindle assembly, right-hand, for 7 & 8-spindle boring heads
13	07340214	Set screw M6 x 6, jolted, for boring head chucks
14	06064991	M5 x 6 bolt for line-up pin sleeve
15	07433054	Sleeve for line-up pin on MZK.1000 7-spindle boring head
16	02128904	Handle for line-up pins on MZK.1000 7-spindle boring head
17	07037294	M4 x 0.7 E-clip ring
	26151850	Grease kluber GE 46-1200

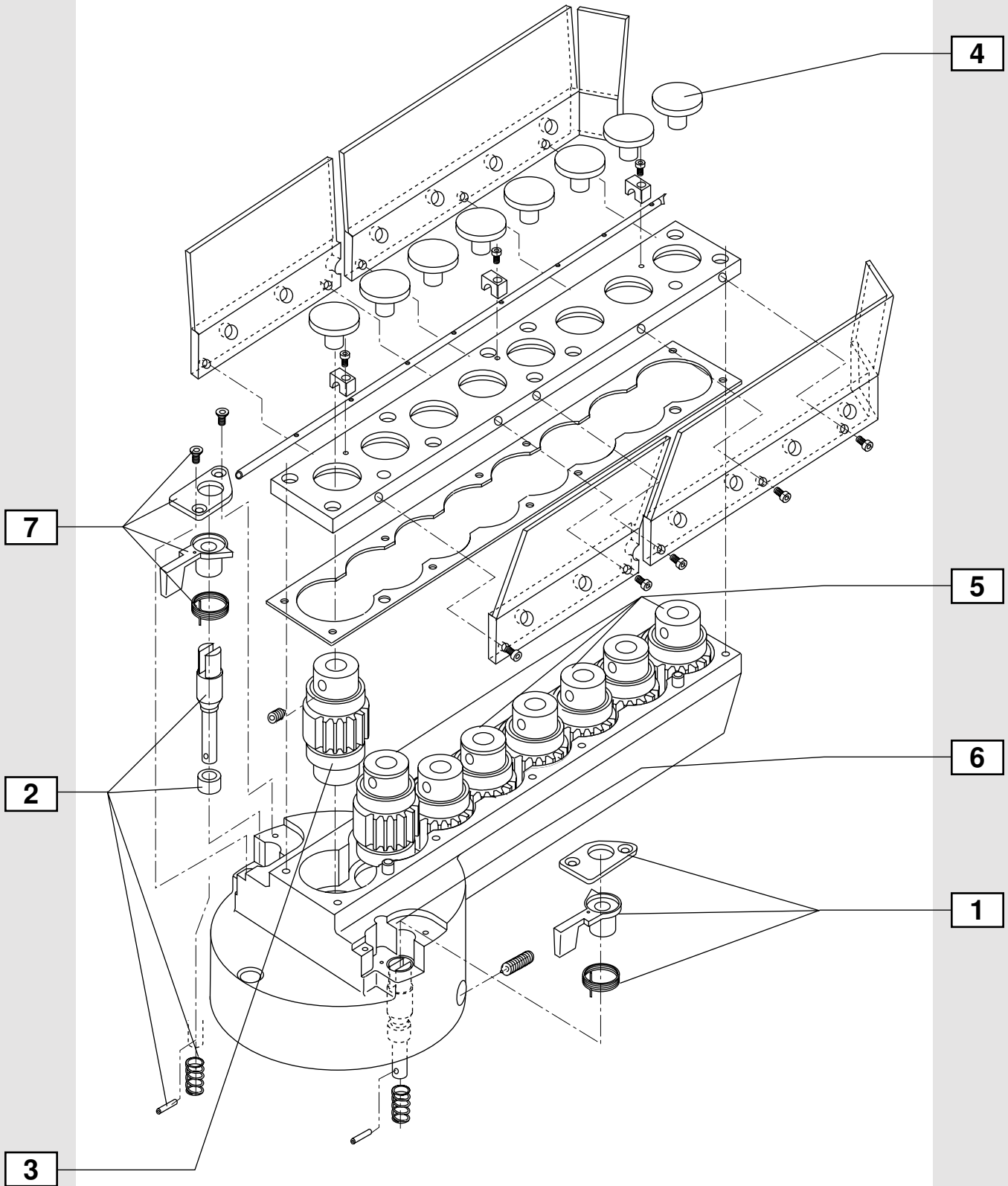
 Back

1

Denotes part number in drawing

A1.2

Denotes part number in drawing and links to auxiliary drawing



Parts list

Drawing #	ID number	Item description
B2	05996391	8-spindle head assembly (MZK.8000.US)
1		Flipper assembly for 7 & 8-spindle boring heads
	06063082	M3 x 8 flat head bolt
	06894322	Flipper cover plate for 7 & 8-spindle boring heads
	06894164	Flipper, right-hand, for 7 & 8-spindle boring heads
	06894411	Flipper spring, right-hand, for 7 & 8-spindle boring heads
2	01310751	Release assembly for 7 & 8-spindle boring heads (with tightening set screws)
3	06762924	Drive spindle/gear assembly for MZK.8000 7-spindle boring head
4	06379801	Cover cap for chuck
5	06762844	Gear spindle assembly, left-hand, for 7 & 8-spindle boring heads
6	06762764	Gear spindle assembly, right-hand, for 7 & 8-spindle boring heads
7		Flipper assembly for 7 & 8-spindle boring heads
	06894322	Flipper cover plate for 7 & 8-spindle boring heads
	06894084	Flipper, left-hand, for 7 & 8-spindle boring heads
	06894591	Flipper spring, left-hand, for 7 & 8-spindle boring heads

 **Back**

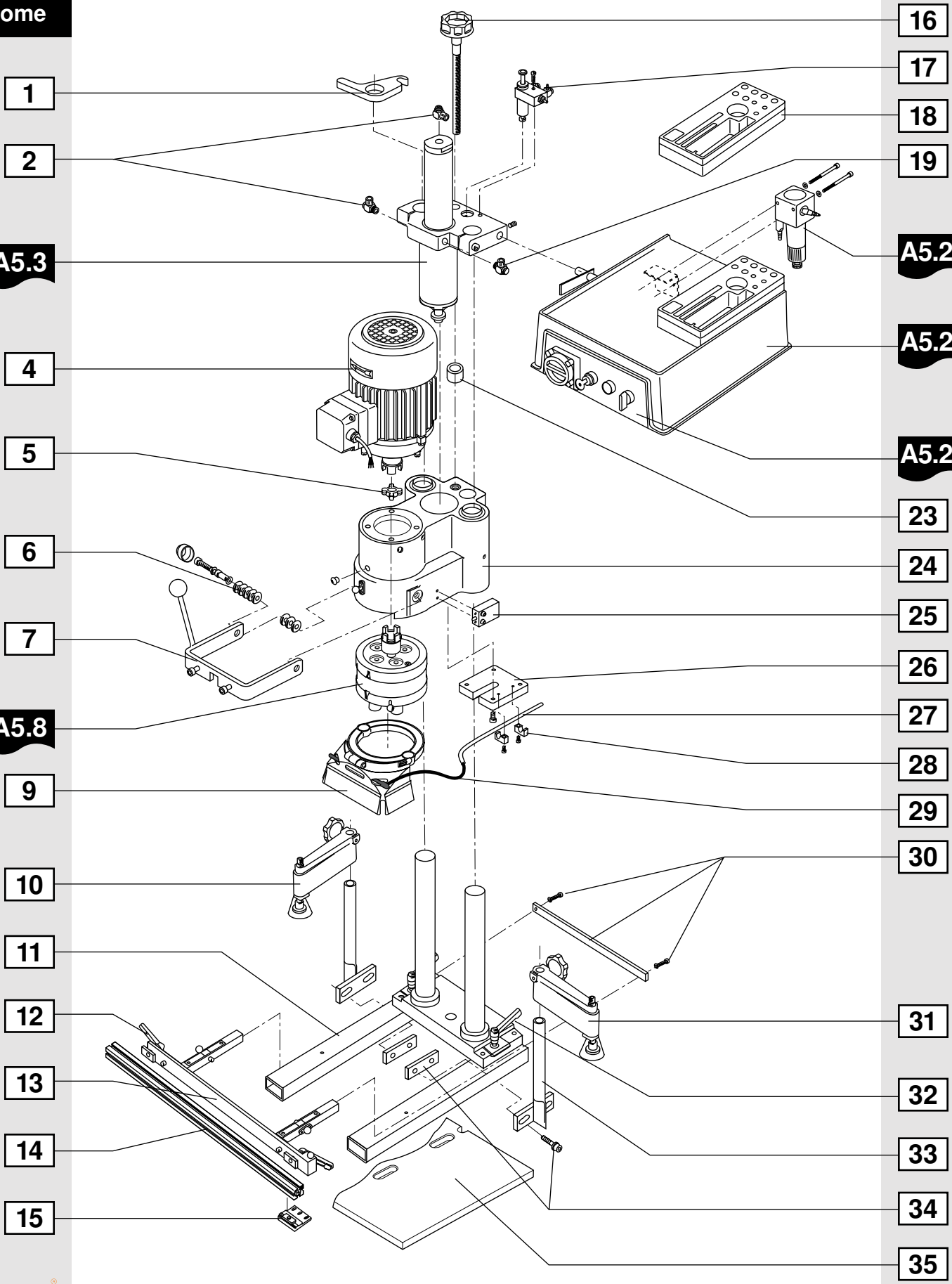
1

Denotes part number in drawing

A1.2

Denotes part number in drawing and links to auxiliary drawing

← Home



Parts list

Drawing #	ID number	Item description
1	06458429	Drilling depth gauge
2	06449780	Flow control valve G 1/8 x 6/4 hose (Bosch # 0 821 200 179)
A5.3	06648984	Main air cylinder for M51N10xx MINIPRESS
4	02536609	Motor (1-phase, 220v) and coupling for M51N10xx machines
4	02612809	Motor (3-phase, 220v) and coupling for M51N10xx machines
4	02536279	Motor (3-phase, 440v) and coupling for M51N10xx machines
	02649801	Capacitor for 1-phase motor (not pictured)
5	06636891	Coupling pad (rotex)
6	06747614	Swing arm mounting kit (2 required per machine)
7	06634764	Swing arm
A5.8	07765721	Internal gear Box for M51N10xx machines
9	02566091	Protective safety shield for the drill bits on the machines
10	02285329	Hold down clamp, left hand
11	04228104	Base frame of machine MB=23.5
12	06634170	Clamping lever for left and right adjustment of ruler on fencing system
13	04228444	Fencing system
14	06635734	Ruler
15	07982584	Ruler adjustment plate
16	03587634	Depth adjustment screw
17	07917924	Pneumatic brake
18	06474389	Tool holder
19	06450440	Swivel elbow connector (G 1/8 x 1/64 hose)
A5.20	04335100	Filter unit for M51N10xx MINIPRESS (Bosch # 0 821 303 420)
A5.21	07982239	Control box cover for M51N10xx machines
A5.22		Control panel
23	04704314	Distance spacer
24	02124159	Gearbox housing for M51N10xx machines
25	26151770	Limit switch and connector for M51N10xx machines
26	06446844	Cylinder base plate
27	06784224	Air jet pipe for M51N10xx MINIPRESS
28	26151691	Air jet clamp with bolt
29	02770534	Air jet hose for safety shield on M51N10xx machines
30	07975454	Fence brace bar with M6x10 bolts
31	02285679	Hold down clamp, right hand
32	06634090	Clamp lever with plate (for depth adjustment)
33	06454604	Hold down clamp support
34	06448544	Hold down clamp support plate (nut 70 x 20 x 6mm)
35	06378581	Work table for all machines
	06447224	Hold down clamp pad
	01725701	Hold down clamp safety shield (2 per package)

 Back

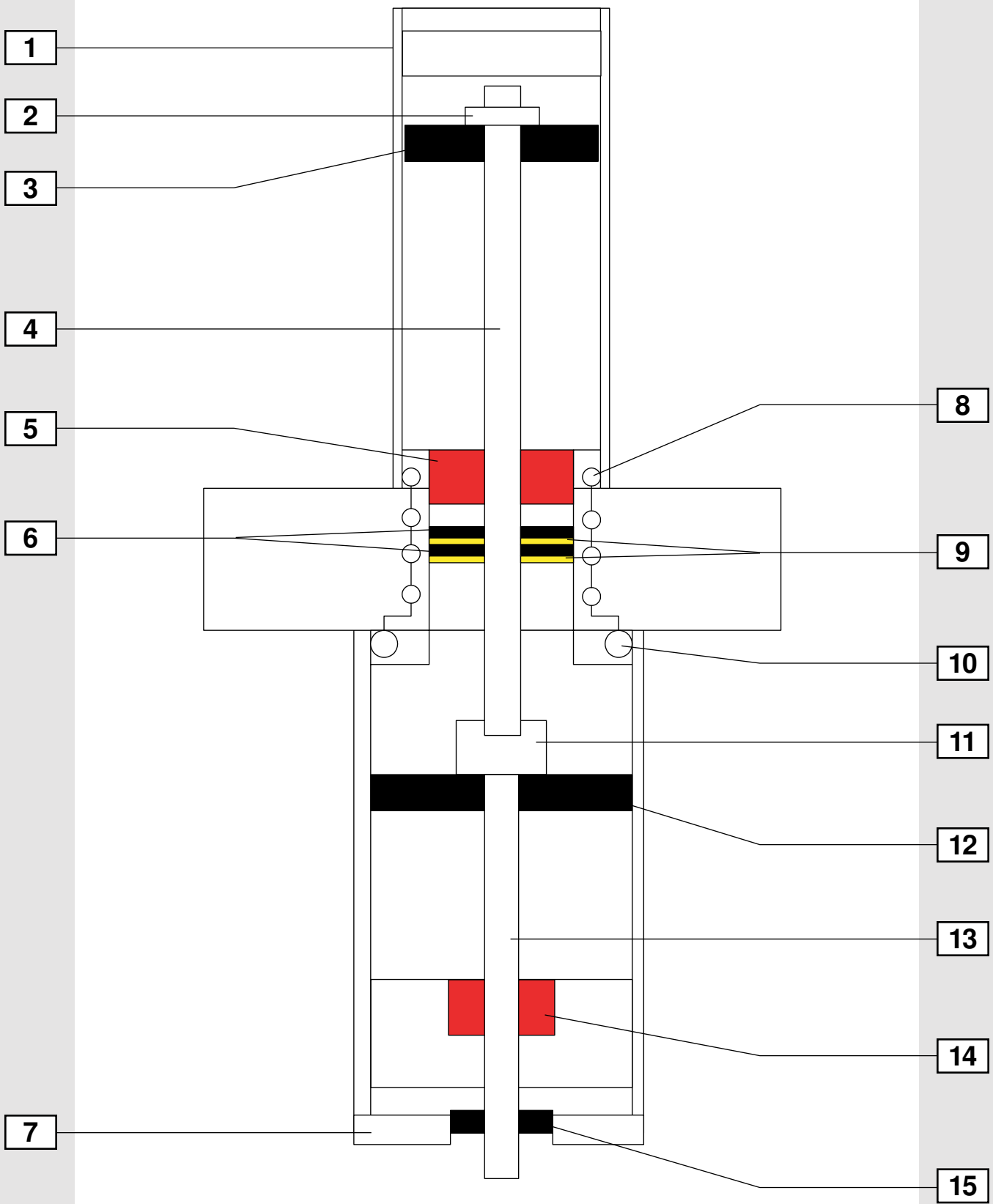
1

Denotes part number in drawing

A1.2

Denotes part number in drawing and links to auxiliary drawing

← Home



Parts list

Drawing #	ID number	Item description
A5.3	06648984	Main cylinder (complete assembly)
1	06445794	Cylinder top cap
2	03748221	M10 Nut
3	05460890	Top piston seal TN50
4	06446251	Top shaft for air cylinder on M51N10xx MINIPRESS
5	06445521	Bushing 16/22 x 16-28 x 3
6	06454191	Middle cup seal 16-24-5.5 for the air cylinder for M51N10xx MINIPRESS
7	06445951	Cylinder bottom cap
8	06453891	O-ring 46.2 x 3 (small)
9	06800954	Spacer
10	06453971	O-ring 59.5 x 3 (large)
11	06458341	Coupling nut for air cylinder on M51N10xx MINIPRESS
12	06454351	Bottom piston seal for air cylinder on M51N10xx MINIPRESS
13	06446501	Bottom shaft for air cylinder on M51N10xx MINIPRESS
14	06446091	Bushing 20/26 x 15-32 x 3
15	06446171	Wiper seal

 **Back**

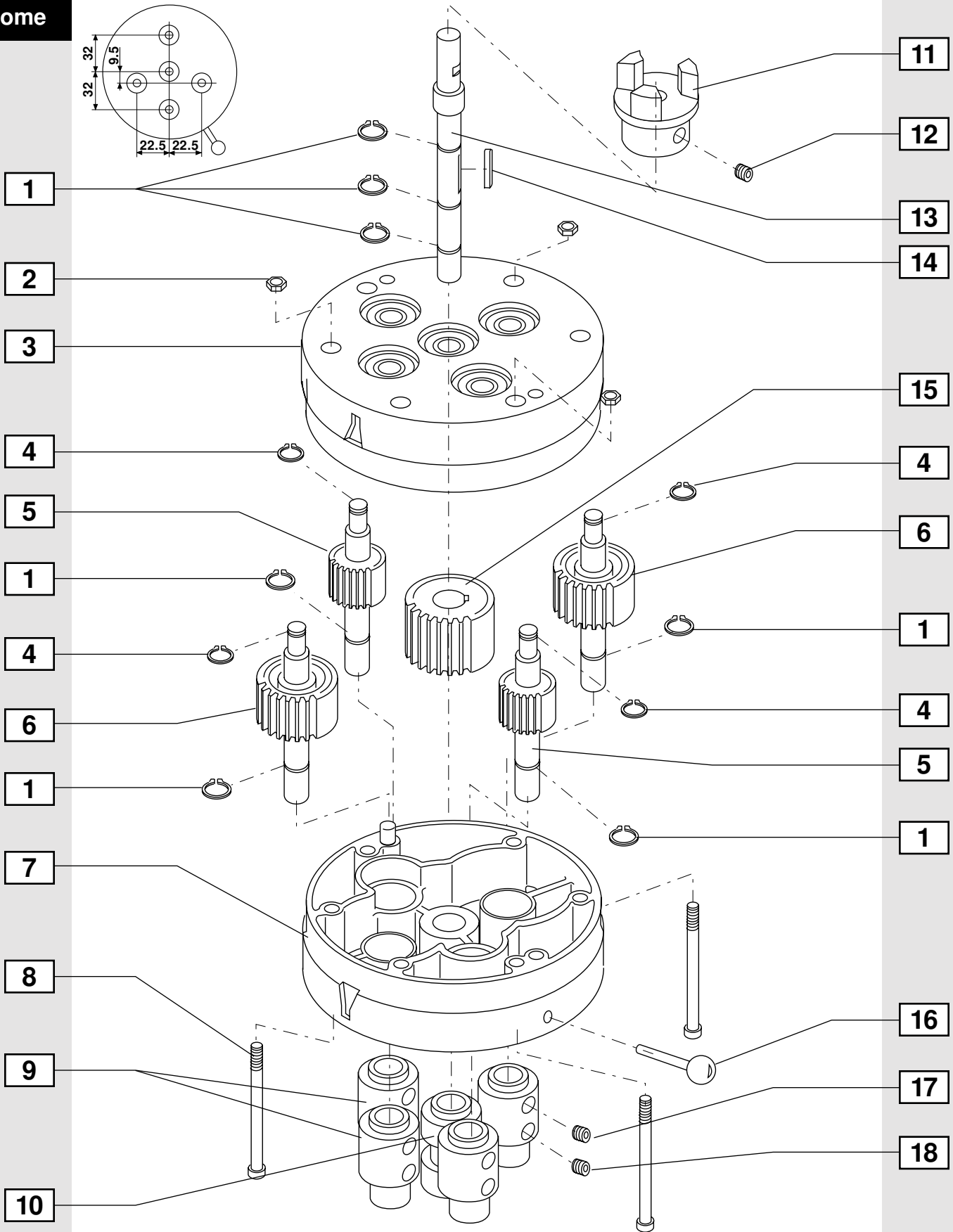
1

Denotes part number in drawing

A1.2

Denotes part number in drawing and links to auxiliary drawing

← Home



Parts list

Drawing #	ID number	Item description
A5.8	07765721	Complete gearbox assembly (M51.1303)
1	08087178	10 x 1 snap ring
2	08086017	M6 nut
3	06954324	Top half of internal gearbox with bearings for all gearboxes
4	08086950	8 x 0.8 snap ring
5	06954591	Small gear and spindle for the internal gearbox on the machines
6	06954671	Large gear and spindle for the internal gearbox on the machines
7	06941774	Bottom half of internal gearbox with bearings for all gearboxes
8	06065297	M6 x 60 bolt
9	01428164	Left hand chuck
10	01428244	Right hand chuck
11	06636621	Coupling for internal gearbox on M51N10xx machines
12	02770000	Set screw M8 x 12 flat (for coupling)
13	06954751	Center spindle for M51.1303 internal gearbox used on M51N10xx machines
14	07342091	Shaft key 3 x 3 x 20 for the internal gearbox on the machines
15	06954831	Center gear for all gearboxes
16	06570184	Rotating pin for internal gearbox on the machines
17	04334984	Set screw M8 x 8, holds chuck on spindle, 90° point DIN914, poly mark blue
18	01886201	Set screw M8 x 5, holds bit in chuck, jolted and flat ended
	05885980	Gearbox bearing 6000-2RS (top center & bottom outer) not pictured
	05885120	Gearbox bearing 608-2RS (top small outer) not pictured
	08075915	Gearbox bearing 5 NX 10 Z (bottom center) not pictured
	26151850	Grease kluber GE 46-1200
	06379801	Cover cap for chucks
	06636891	Coupling pad rotex

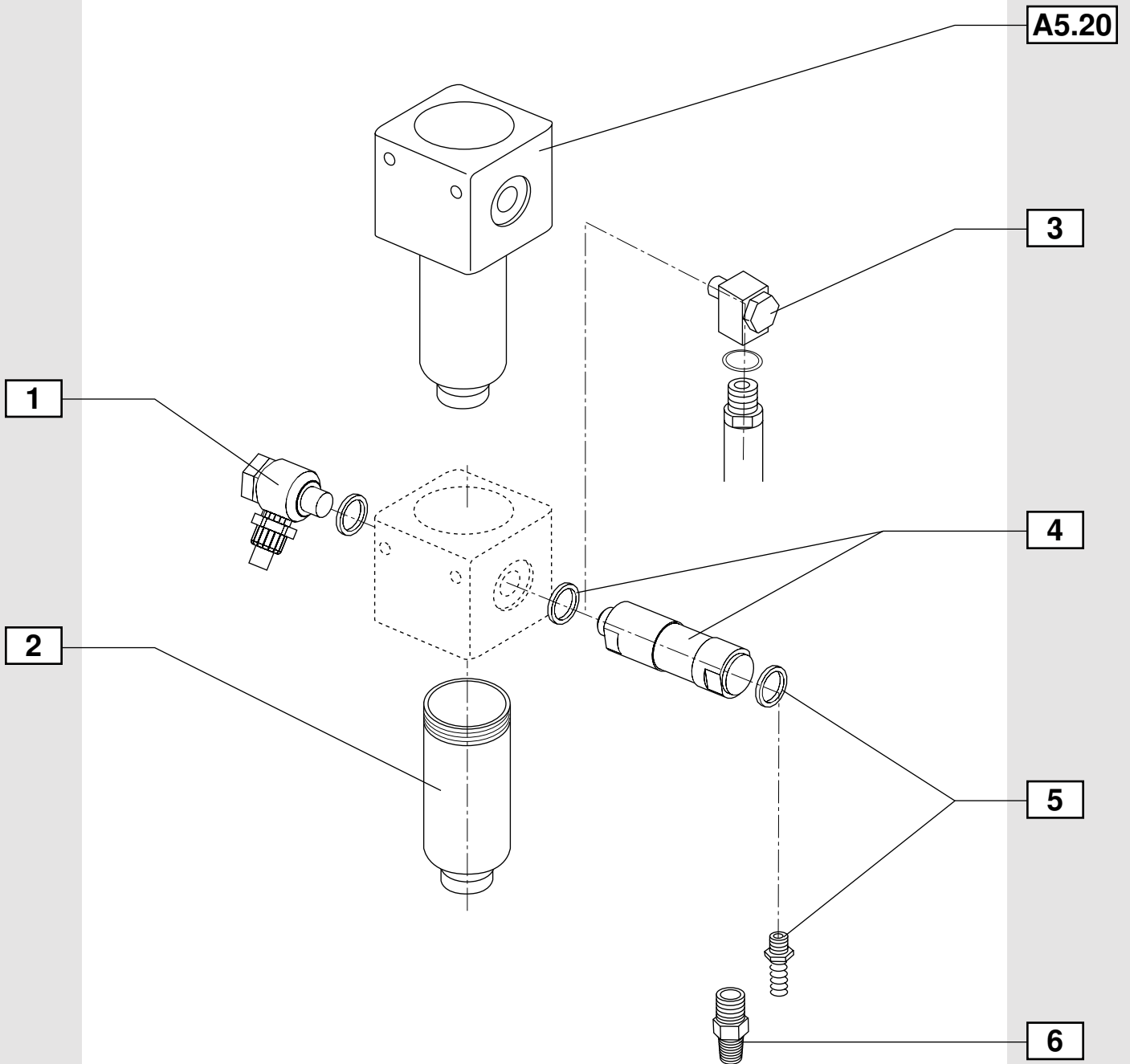
 **Back**

1

Denotes part number in drawing

A1.2

Denotes part number in drawing and links to auxiliary drawing



Parts list

Drawing #	ID number	Item description
A5.20	04335100	Filter unit for M51N10xx MINIPRESS (Bosch # 0 821 303 420)
1	03687330	Swivel elbow connector (G 1/8 x 8/6 hose)
2	03975130	Air filter bowl for M51N10xx machines
3	01897310	Swivel elbow connector block (G 1/8 x G 1/8)
4	01799490	Check valve (Bosch # 0 821 003 001)
5	01799810	1/4 barbed connector (straight connector) G 1/8 x 1/4 ID hose
6	26154870	Air inlet adapter

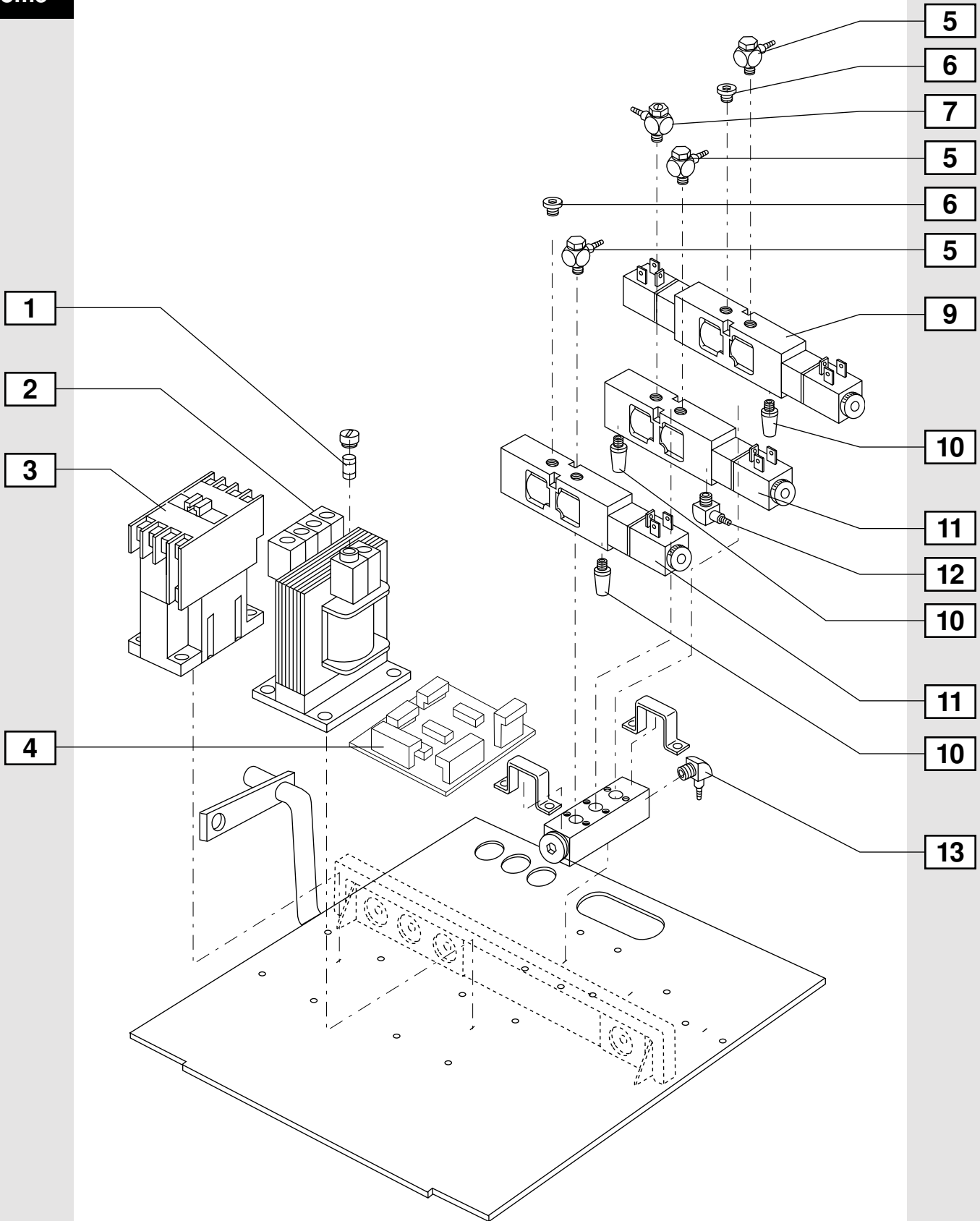
 **Back**

1

Denotes part number in drawing

A1.2

Denotes part number in drawing and links to auxiliary drawing



Parts list

Drawing #	ID number	Item description
A5.21	07982239	Control box cover for M51N10xx machines
1	01788700	Fuse for transformer for M15N10xx MINIPRESS, 1.6amp 250v 5 x 20mm
2	01844540	Transformer of M51N10xx machines
3	03990950	Motor contractor, 24v 60Hz, for M51N10xx machines
4	01844970	Circuit board for M51N10xx MINIPRESS
5	06450440	Swivel elbow connector, G 1/8 x 6/4 hose
6	01804080	Screw plug 1/8"
7	06449780	Flow control valve, G 1/8 x 6/4 hose (Bosch # 0 821 200 179)
9	01800920	Double solenoid valve for M51N10xx MINIPRESS (Bosch # 0 820 022 502)
10	01802200	Muffler 1/8"
11	01801140	Single solenoid valve for M51N10xx machines (Bosch # 0 820 022 026)
12	03687330	Elbow connector, G 1/8 x 6/8 hose
13	03073773	Swivel connector
	08061612	"O" ring (seal between solenoid valve and manifold)

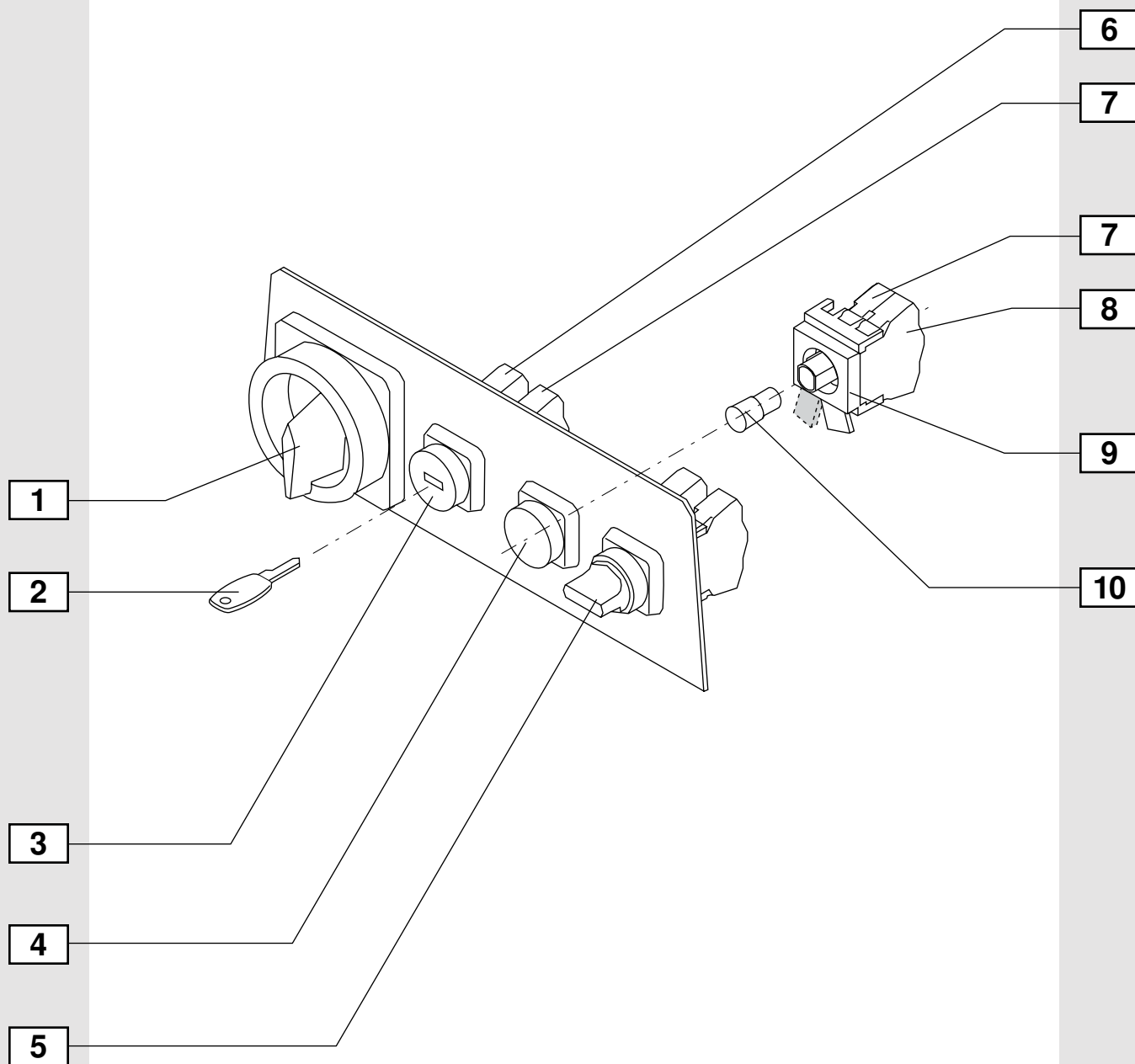
 **Back**

1

Denotes part number in drawing

A1.2

Denotes part number in drawing and links to auxiliary drawing



Parts list

Drawing #	ID number	Item description
A5.22		Control panel for M51N10xx MINIPRESS
1	01312970	Main Switch for M51N10xx machines
2	04618070	Replacement key for M51N10xx MINIPRESS mode (key) switch
3	04623150	Mode (key) switch assembly for M51N10xx CD-CF MINIPRESS
	01259800	Key actuator for RAFI mode switch for M51N10xx machines
4	04623070	Stroke switch assembly for M51N10xx CD-CF MINIPRESS
	01259630	Push button for RAFI switch (used on stroke switch for M51N10xx machines)
5	04623400	Hold down clamp switch for M51N10xx MINIPRESS
6	01260130	N.C. contact for RAFI switches
7	01260050	N.O. contact for RAFI switches used on M51N10xx machines
8	01260300	Light element for RAFI stroke switch for M51N10xx machines
9	01259980	Coupling for all RAFI switches
10	01260480	LED lamp for stroke switch
	01843730	Light bulb for AEG stroke switch (not pictured)

 **Back**

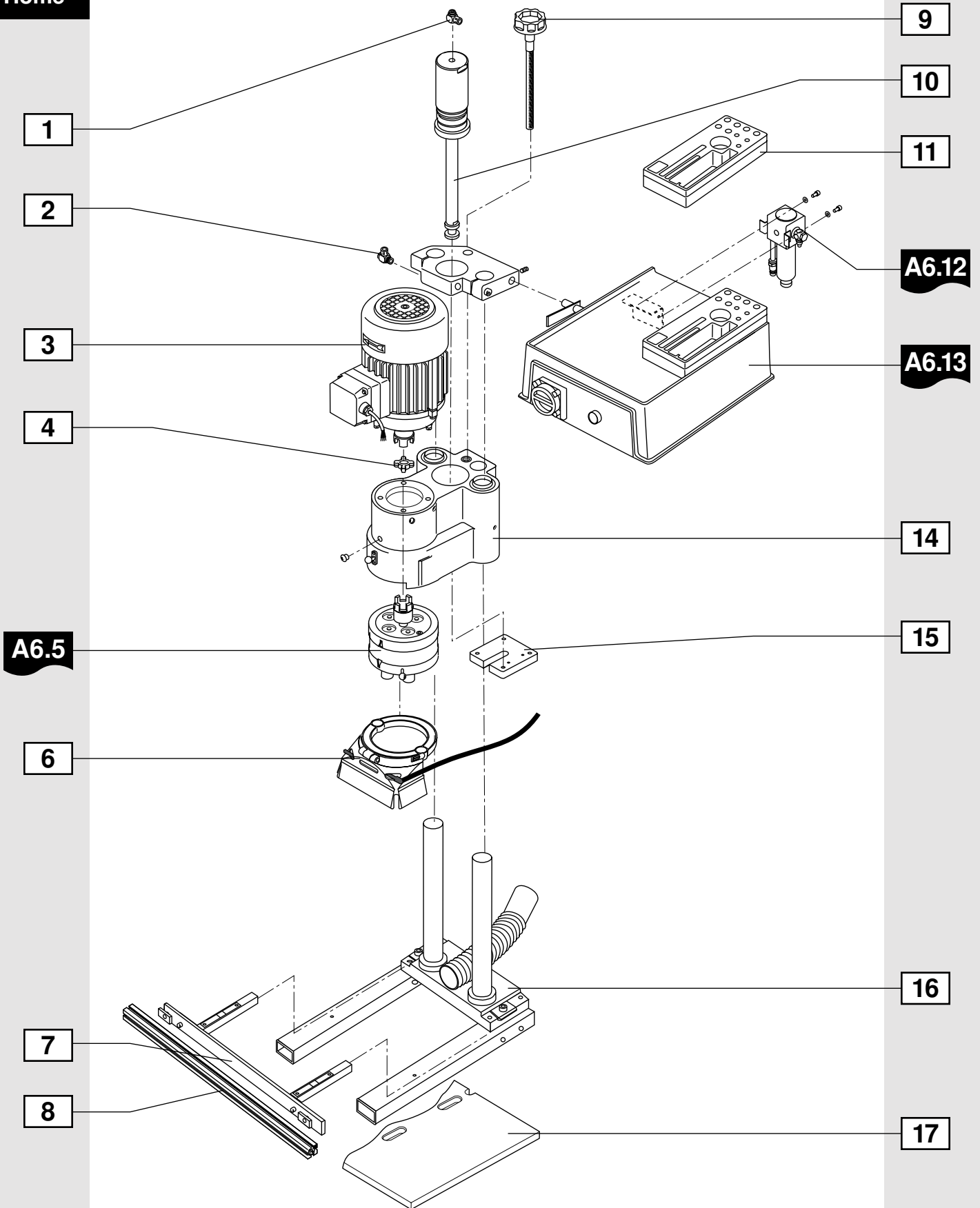
1

Denotes part number in drawing

A1.2

Denotes part number in drawing and links to auxiliary drawing

← Home



Parts list

Drawing #	ID number	Item description
1	06450440	Swivel elbow connector (G 1/8 x 6/4 hose)
2	06449780	Flow control valve G 1/8 x 6/4 hose (Bosch # 0 821 200 179)
3	02536609	Motor (1-phase, 220v) and coupling for M51N10xx machines
3	02612809	Motor (3-phase, 220v) and coupling for M51N10xx machines
4	06636891	Coupling pad (rotex)
A6.5	07765721	Internal gear Box for M51N10xx machines
6	02566091	Protective safety shield for the drill bits on the machines
7	04228444	Fencing system
8	06635734	Ruler
9	03587634	Depth adjustment screw
10	02753104	Air cylinder for M51N10xx MINIDRILL
11	06474389	Tool holder
A6.12	04397980	Air filter assembly
A6.13	07982239	Control box cover for M51N10xx machines
14	02124159	Gearbox housing for M51N10xx machines
15	06446844	Cylinder base plate
16	04228104	Base frame of machine MB=23.5
17	06378581	Work table for all machines

 Back

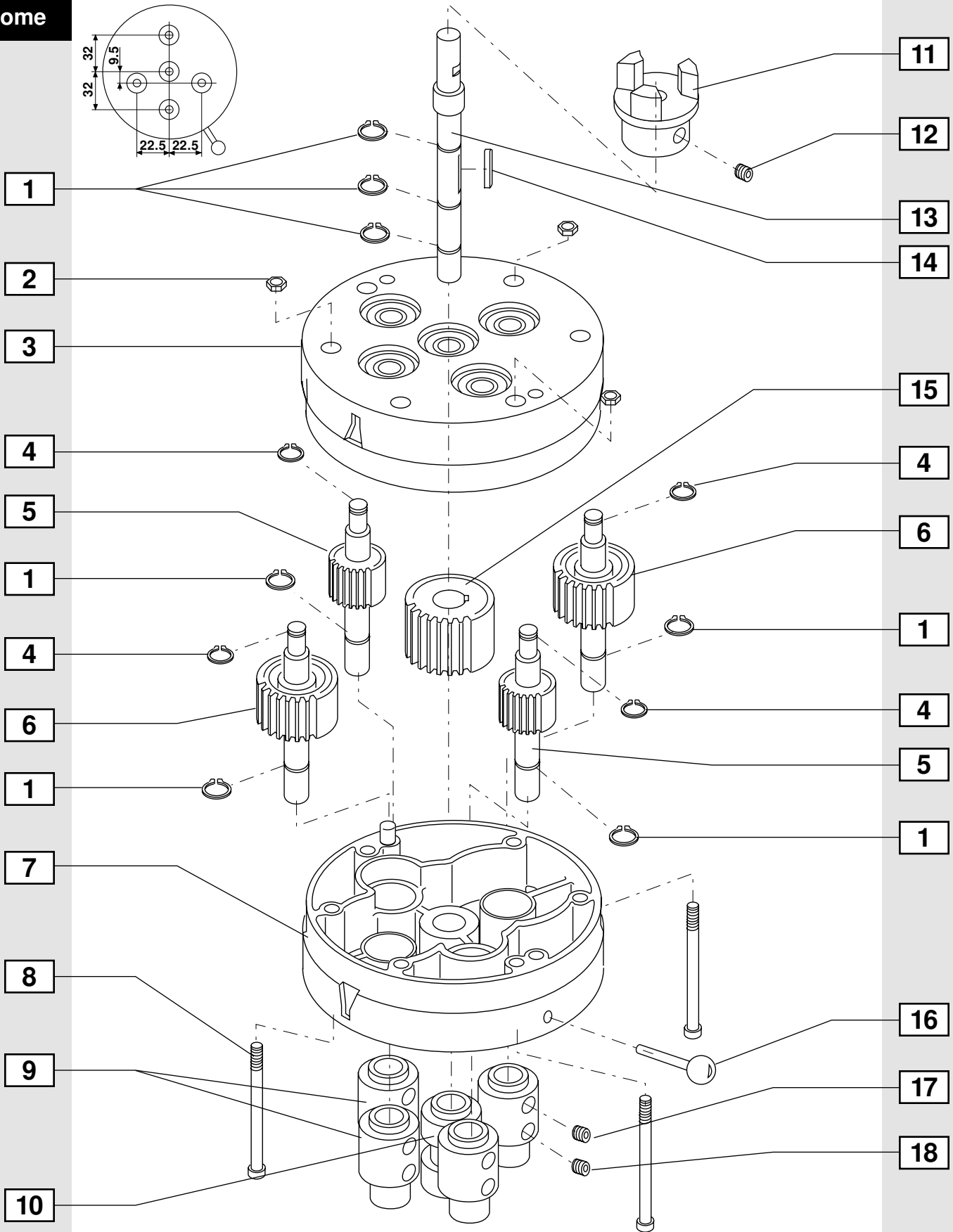
1

Denotes part number in drawing

A1.2

Denotes part number in drawing and links to auxiliary drawing

← Home



Parts list

Drawing #	ID number	Item description
A6.5	07765721	Complete gearbox assembly (M51.1303)
1	08087178	10 x 1 snap ring
2	08086017	M6 nut
3	06954324	Top half of internal gearbox with bearings for all gearboxes
4	08086950	8 x 0.8 snap ring
5	06954591	Small gear and spindle for the internal gearbox on the machines
6	06954671	Large gear and spindle for the internal gearbox on the machines
7	06941774	Bottom half of internal gearbox with bearings for all gearboxes
8	06065297	M6 x 60 bolt
9	01428164	Left hand chuck
10	01428244	Right hand chuck
11	06636621	Coupling for internal gearbox on M51N10xx machines
12	02770000	Set screw M8 x 12 flat (for coupling)
13	06954751	Center spindle for M51.1303 internal gearbox used on M51N10xx machines
14	07342091	Shaft key 3 x 3 x 20 for the internal gearbox on the machines
15	06954831	Center gear for all gearboxes
16	06570184	Rotating pin for internal gearbox on the machines
17	04334984	Set screw M8 x 8, holds chuck on spindle, 90° point DIN914, poly mark blue
18	01886201	Set screw M8 x 5, holds bit in chuck, jolted and flat ended
	05885980	Gearbox bearing 6000-2RS (top center & bottom outer) not pictured
	05885120	Gearbox bearing 608-2RS (top small outer) not pictured
	08075915	Gearbox bearing 5 NX 10 Z (bottom center) not pictured
	26151850	Grease kluber GE 46-1200

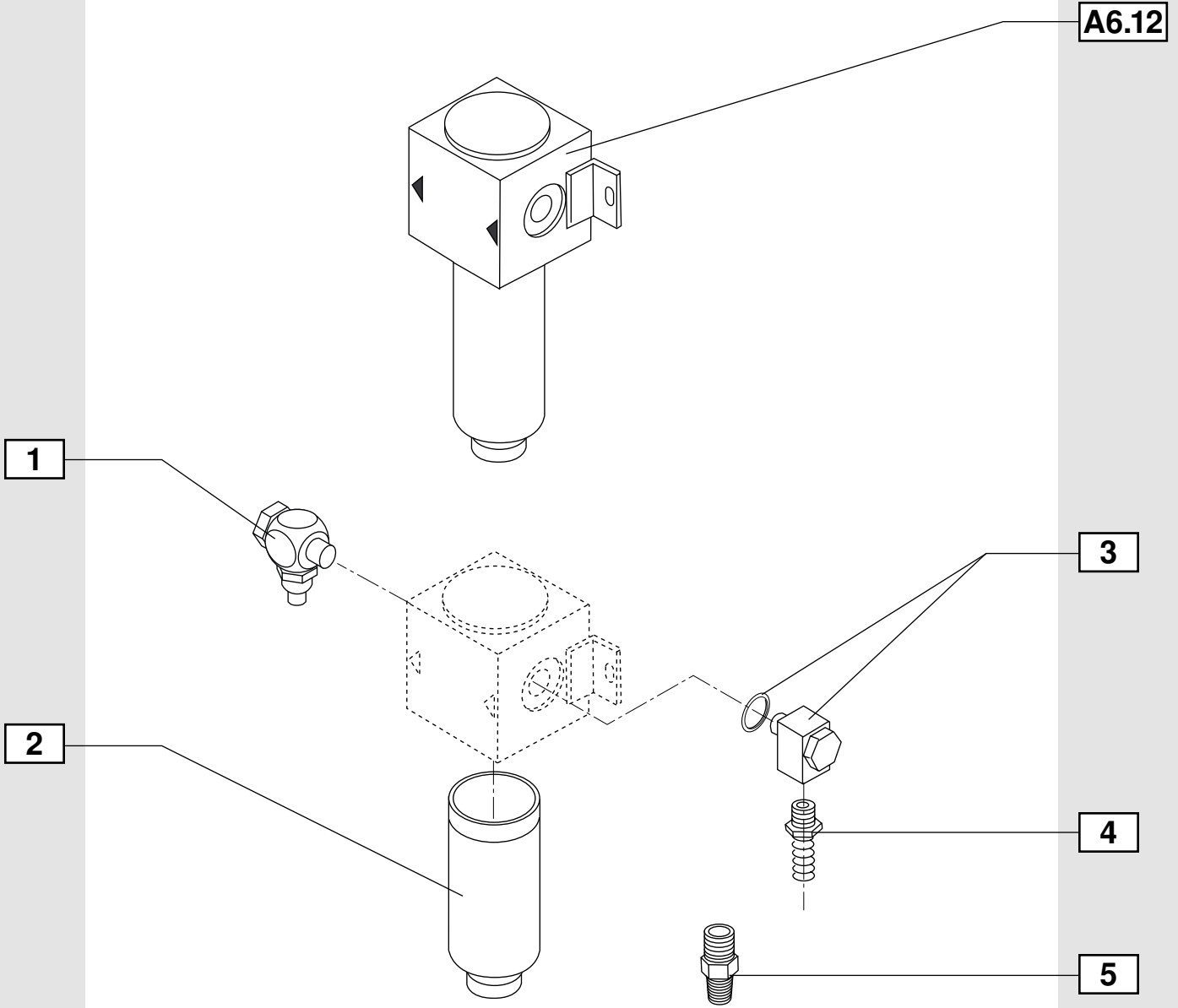
 **Back**

1

Denotes part number in drawing

A1.2

Denotes part number in drawing and links to auxiliary drawing



Parts list

Drawing #	ID number	Item description
A6.12	04397980	Air filter assembly
1	06450440	Swivel elbow connector (G 1/8 x 6/4 hose)
2	03975300	Air filter bowl for M51N10xx MINIDRILL
3	01897310	Swivel elbow connector block (G 1/8 x G 1/8)
4	01799810	1/4 barbed connector (straight connector) G 1/8 x 1/4 ID hose
5	26154870	Air inlet adapter

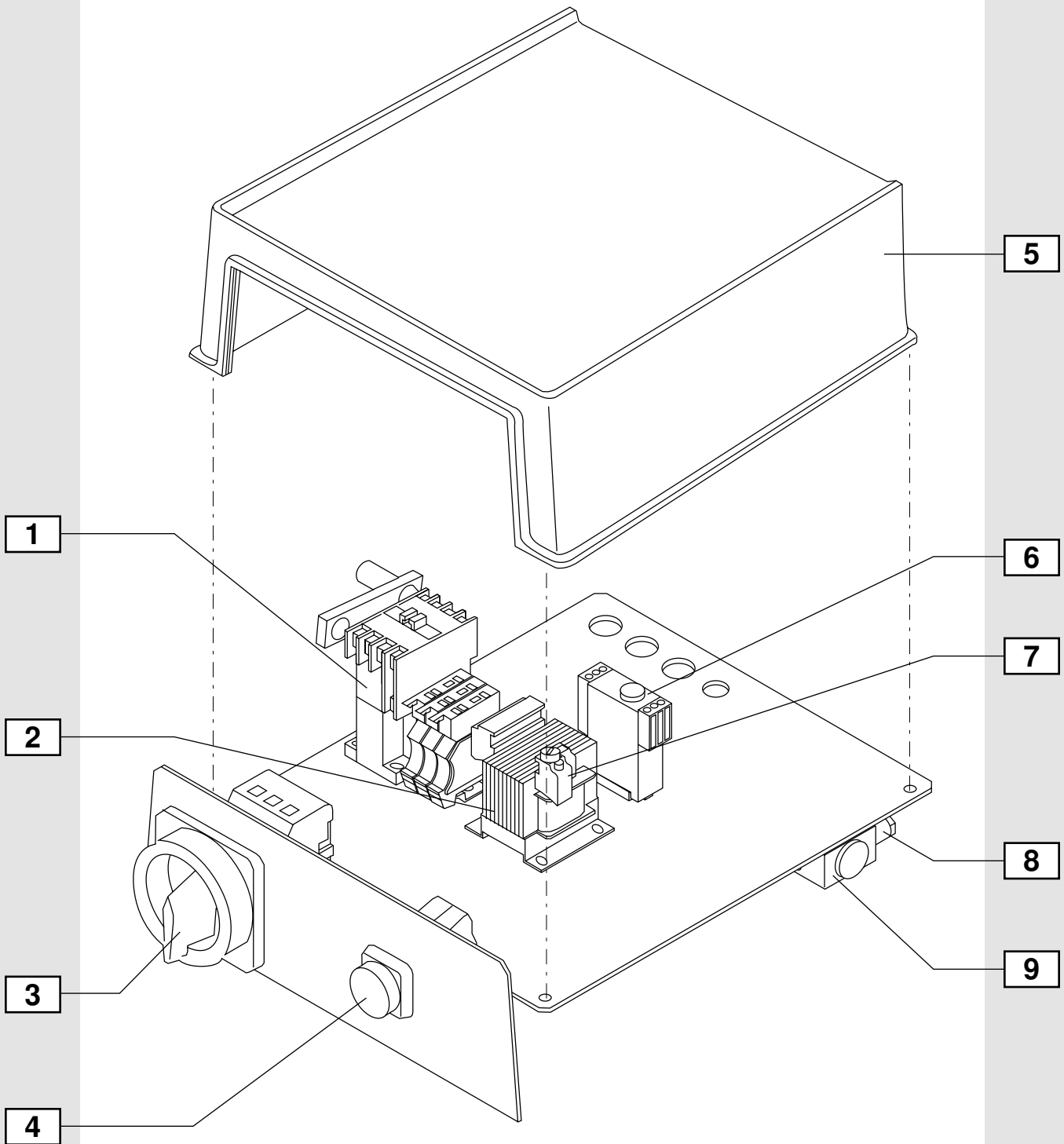
 **Back**

1

Denotes part number in drawing

A1.2

Denotes part number in drawing and links to auxiliary drawing



Parts list

Drawing #	ID number	Item description
A6.13		Control box for M51N10xx MINIDRILL
1	03990950	Motor contractor, 24v 60Hz, for M51N10xx machines
2	01844540	Transformer of M51N10xx machines
3	01312970	Main switch for M51N10xx machines
4	04623070	Stroke switch assembly for M51N10xx MINIDRILL
5	07982239	Control box cover for M51N10xx machines
6	03866270	Time relay for M51N10xx MINIDRILL 24-240 VAC
7	01788700	1.5A fuse
8	03988540	Flow control valve with muffler
9	01801140	Single solenoid valve for M51N10xx machines (Bosch # 0 820 022 026)

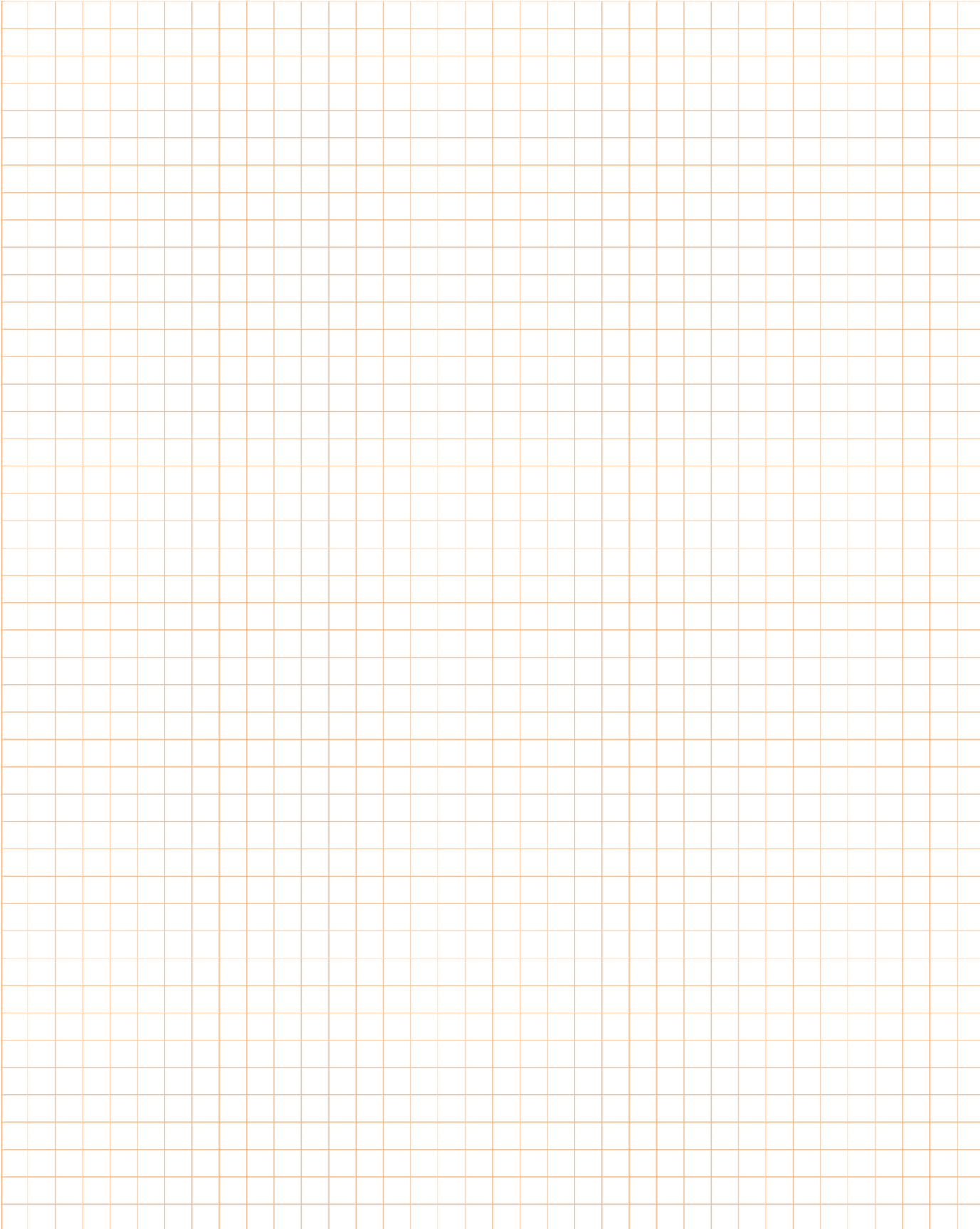
 Back

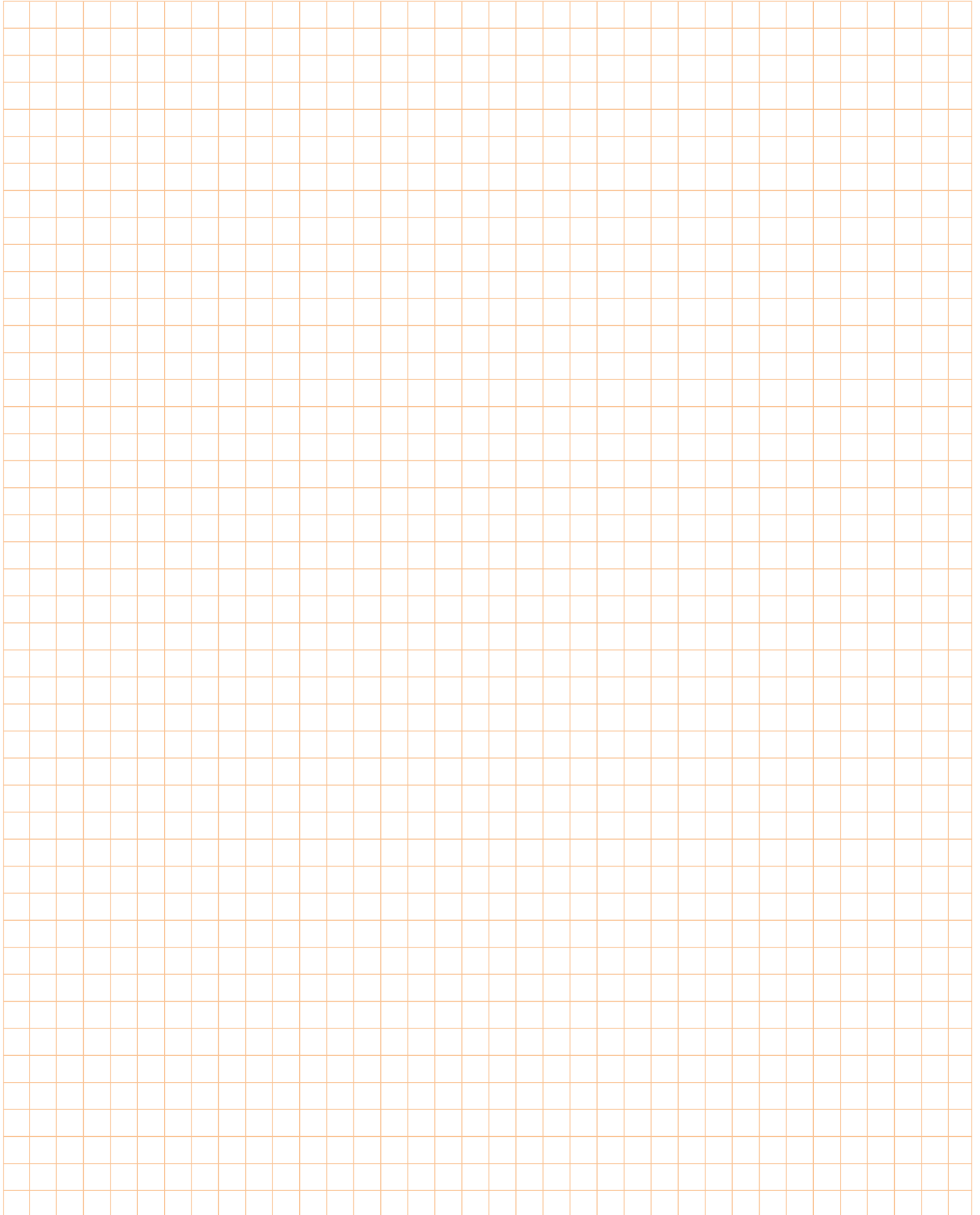
1

Denotes part number in drawing

A1.2

Denotes part number in drawing and links to auxiliary drawing







Blum, Inc.

7733 Old Plank Rd.
Stanley, NC 28164

toll free 800-438-6788

local 704-827-1345

fax 704-827-0799

internet www.blum.com
www.dynamicspace.us

