



LEGRABOX

Premium Metal Drawer System

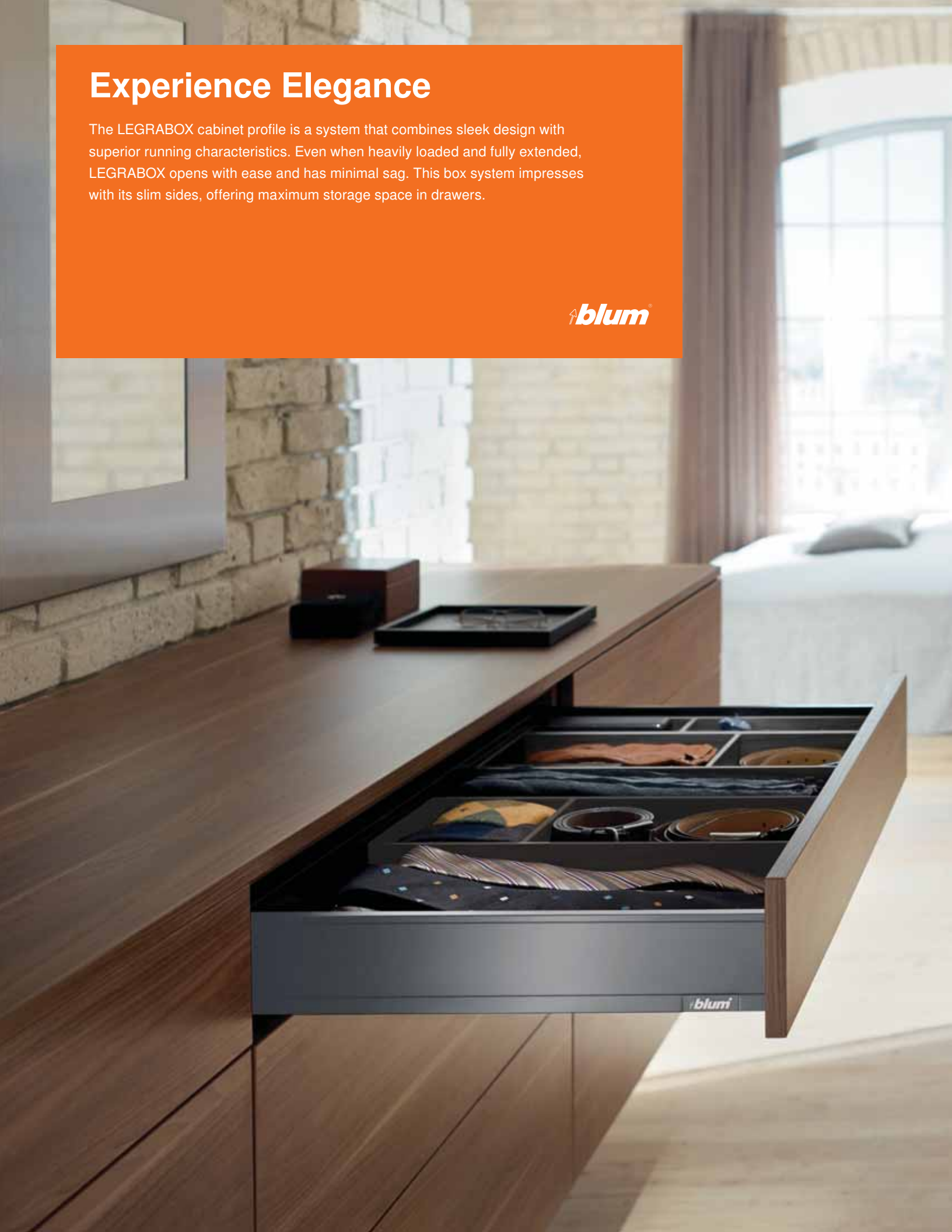
blum.com

 **blum**[®]

Experience Elegance

The LEGRABOX cabinet profile is a system that combines sleek design with superior running characteristics. Even when heavily loaded and fully extended, LEGRABOX opens with ease and has minimal sag. This box system impresses with its slim sides, offering maximum storage space in drawers.

blum



Contents

LEGRABOX

- 4 Testing Standards
- 5 Fascinating Technology
- 6 Design and Features
- 8 Using The Catalog
- 9 Drawer Assembly and Removal
- 10 Adjustment and Online Resources
- 11 Program Overview
- 12 N Height Drawer
- 16 M Height Drawer
- 20 K Height Drawer
- 24 C Height Drawer
- 28 F Height Drawer
- 32 M Height Interior Roll-out
- 36 K Height Interior Roll-out
- 40 C Height Interior Roll-out
- 44 Wraparound Sink Drawer
- 48 TIP-ON BLUMOTION
- 54 Assembly Aids
- 58 Machines
- 60 Accessories
- 64 AMBIA-LINE
- 66 Assembly Instructions
- 70 METAFILE for LEGRABOX
- 72 Part Number Index

LEGRABOX



Testing Standards

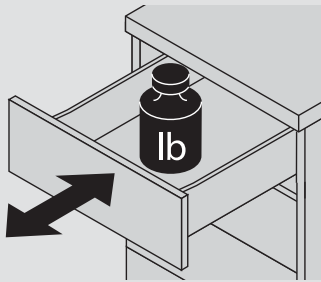


Blum's Testing Standards

Blum, Inc. is ISO 9001 certified which means that you are assured of consistent quality in every Blum product. All Blum runners must pass these tests without showing a measurable reduction in performance or deviation in adjustment position. Testing standards vary between products and applications.

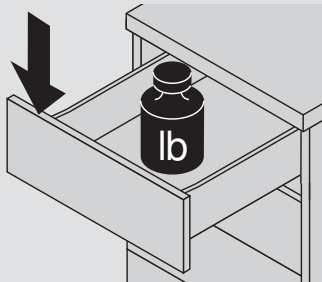
All Blum runners meet or exceed ANSI/BHMA 156.9 grade 1 requirements. Contact your local Blum representative for more details.

Dynamic Wear Test



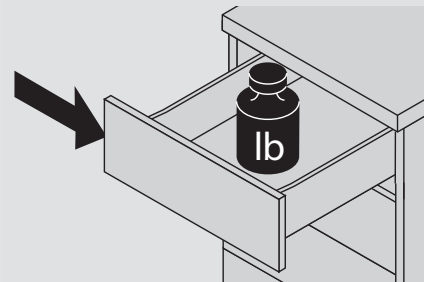
100,000 open/close cycles with a total load of 88 lb on LEGRABOX 750 and 155 lb on LEGRABOX 753 550 (22") drawers.

Static Load Test



10 times for 10 seconds each time when completely extended, 66 lb is applied to the corner of the drawer front of a fully loaded drawer.

Side Pressure Test



10 times for 10 seconds each time when completely extended, 44 lb is applied to the side of the drawer front of a fully loaded drawer.



General Information

All Blum hardware undergoes strict quality control procedures through all stages of production. Blum hardware is designed for cabinets and cabinet components made from wood, melamine or MDF. Careful attention must be paid to installation and operating instructions when using Blum hardware (see catalogs and instruction sheets for all technical information). The manufacturer must decide on the screws or attachment methods to suit the material being used (i.e. wood, melamine, etc.). The hardware must not be exposed to acidic or corrosive materials (i.e. some household cleaning solutions). To ensure that Blum hardware functions correctly, it must be kept clean and undamaged. For any additional information please contact your Blum representative. Anyone selling Blum hardware must ensure that their customer is aware of any relevant information given in this catalog.
Care and cleaning – use a clean damp cloth.

Conditions of Sale and Delivery

All deliveries and services are based on the "general conditions of sale" which are available upon request. The technical presentations and dimensions in illustrations are non-binding. We reserve the right to make changes to specifications at any time. We do not accept any responsibility for any errors which may occur in the production of this catalog.

Fascinating Technology

The technology behind LEGRABOX makes this runner system even easier to open. The motion technology designed into the drawer profile and roller carriage creates a fluid running action in this unrivaled drawer, even under heavy loads.

blum



Heavy Load Capacity

The cabinet profile has increased stability along the length of the runner. Even wide, heavy drawers experience a smooth running action, thanks to a high dynamic carrying capacity of 88 and 155 lbs.



Stability for Tall Fronts

A new front fixing bracket guarantees maximum stability when opening and closing of tall drawer fronts.

LEGRABOX



Design

Refined, Luxurious Finishes

LEGRABOX in matte Orion gray or brushed stainless steel complement a wide range of colors and materials.

Ordering Codes

Choose Orion gray (OG-M) or brushed stainless steel (INGL) while using the order form.



Sleek Design

Impressively slim 1/2" drawer sides, which are straight on both the inside and out, provide a sleek look while maximizing usable interior drawer space.

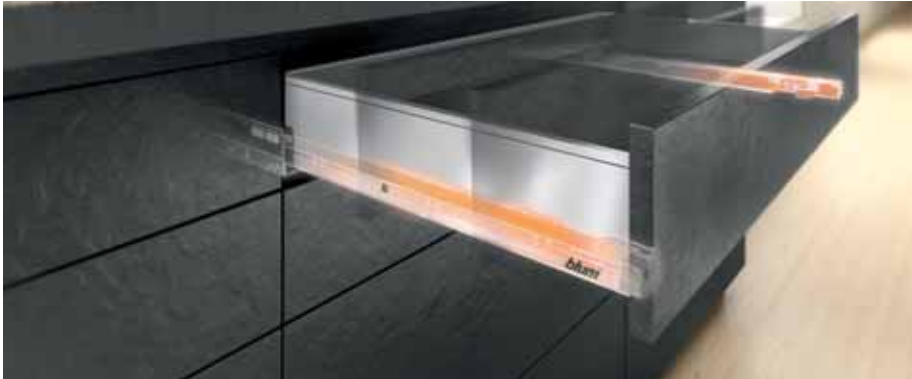


Versatility

The versatile LEGRABOX program allows for a wide range of design options for any kitchen, bath or cabinet application.

LEGRABOX combines design and function for well-balanced solutions creating elegance in motion.





BLUMOTION

BLUMOTION adapts to different weights and closing forces to give a smooth and silent close every time. Whether it is a small top drawer or a wide deep drawer, BLUMOTION guarantees the soft close you have come to expect from Blum.



TIP-ON BLUMOTION

With TIP-ON BLUMOTION for LEGRABOX, we have combined the mechanical opening of TIP-ON, LEGRABOX's smooth running action, and the reliable soft close of BLUMOTION.

page 48



SERVO-DRIVE

SERVO-DRIVE enables drawers to open automatically with just a touch of the drawer front or with a light pull of the handle. This unique feature is based on an electrical drive unit that, once activated, opens the drawer for you.



AMBIA-LINE

Stylish and functional, AMBIA-LINE drawer organization system creates a clean, harmonious look to the interior of your drawer. Stored items are always organized, easy to find and readily accessible. Other organizational options also include our kitchen accessories.

page 64

Application Page

Provides details of the application and an overview of the parts that make up the drawer

Required Parts

Contains all necessary components with part numbers listed to order the drawer

LEGRABOX **N Height Drawer**

Application

Features

- Full extension drawer system with BLUMOTION
- Smooth running action
- Two dimensional drawer front adjustment
- Dynamic load capacity of 88 lb
- Drawer profile height 66.5 (2 5/8")
- Compatible with TIP ON BLUMOTION and SERVO DRIVE

Space Requirements

AL = Actual cabinet profile length
Minimum opening height based on 3 (1 1/8") clearance

Components

NOTE: Parts identified on right page
TIP-ON BLUMOTION: Enables drawers to be opened with a light touch to the front and retain BLUMOTION soft closing action [page 53](#)

12 | © 2019 Blum, Inc. Subject to technical modifications without notice

Required Parts **LEGRABOX**

Cabinet and drawer profile sets

Sets include:

- Left and right profile
- Drawer profiles include color coordinated cover cap

Nominal length	Actual cabinet profile length	88 lb		Orion gray	Stainless steel
		Part no.	Part no.	Part no.	Part no.
18"	450 (17 11/16")	750.45015	720N45025	720N5503	720N5503
20"	500 (19 11/16")	750.50015	720N50025	720N5003	720N5003
22"	550 (21 5/8")	750.55015	720N55025	720N5503	720N5503
Installation wood screw		707N	612TH	612TH	612TH
Installation system screw		661.1300-100			

Front fixing bracket

EXPANDO

- Two required per drawer

Part no.
EXPANDO: 2F7N70E2
Screw on*: 2F7N70S2

* Use of 86 x 5/8" wood screw is recommended

Rear fixing bracket set

Set includes:

- Left and right bracket
- Orion gray (GG-M)

Part no.
Rear fixing bracket set: 2F7N60S2
Installation screw: 612TH

Dimensions in millimeters (inch equivalents in round) | © 2019 Blum, Inc. | 13

Installation Dimensions

Cabinet profile installation and cutting dimensions for the bottom and back of the drawer

Specifications

Front and rear fixing bracket installation specifications

LEGRABOX **N Height Drawer**

Cabinet profile installation

NOTE: The orange dots indicate fixing screw locations required to meet specified load ratings

Cutting dimensions for bottom and back

Drawer bottom

- Width = Inside cabinet width minus 35 (1 3/8")
- Length = Actual cabinet profile length minus 10 (13/32")

Drawer back

- Width = Inside cabinet width minus 38 (1 1/2")
- Height = 39 (1 17/32")

AL = Actual cabinet profile length
ICW = Inside cabinet width

NOTE: Use 16 (5/8") material for bottom and back

Assembly Aids [page 54](#) | **Accessories** [page 60](#) | **Index** [page 72](#)

14 | © 2019 Blum, Inc. Subject to technical modifications without notice

Specifications **LEGRABOX**

Front fixing bracket installation

Pre-boring dimensions for EXPANDO only, for screw on pre-bore Ø2 x 2.5

Rear fixing bracket installation

Bottom boring distance

Pre-bore dimension Ø 2.5 x 2

Dimensions in millimeters (inch equivalents in round) | © 2019 Blum, Inc. | 15

Step 1

Measure inside cabinet width (ICW)

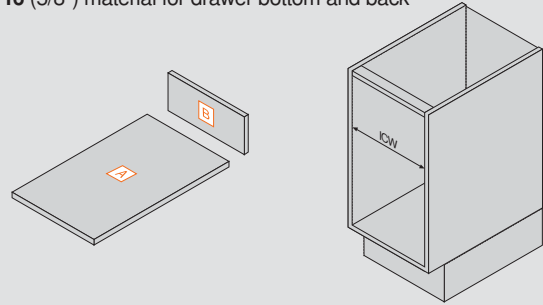
Use inside cabinet width (ICW) to calculate the drawer bottom and back dimensions. Formulas are found on the specification page of each application.

M Height example:

- A** Drawer bottom: Width = ICW minus **35** (1-3/8")
Length = Actual cabinet profile length minus **10** (13/32")
- B** Drawer back: Width = ICW minus **38** (1-1/2")
Height = **63** (2-15/32")

For best assembly results, use BOXFIX E-L.

Use **16** (5/8") material for drawer bottom and back

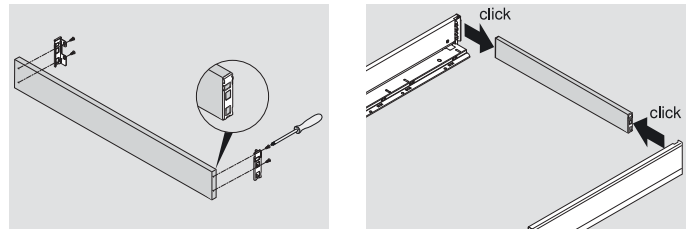


NOTE: Minimum inside cabinet width without TIP-ON BLUMOTION = **148** (5-13/16")

Step 2

Attach drawer back

Rear fixing brackets are attached with #6 x 1/2" truss head screws (612TH). The drawer back, with rear fixing brackets attached, snaps into the rear of both drawer profiles.

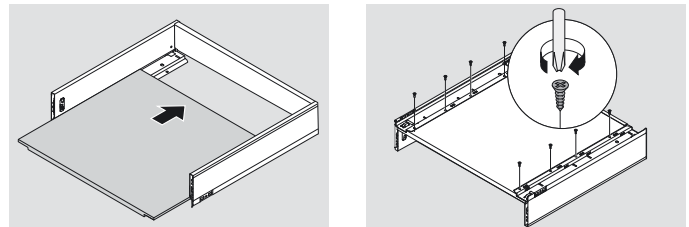


Step 3

Drawer bottom installation

The drawer bottom slides into the drawer profiles.

Push the drawer bottom flush with the front of the drawer.
Pre-bore and attach with wood screws (612TH).

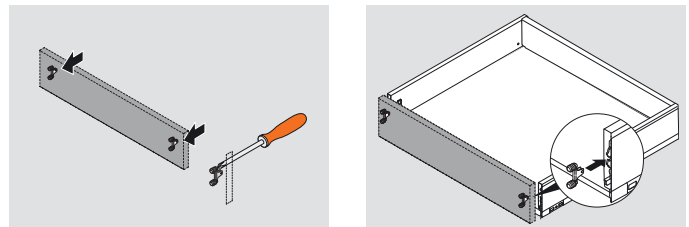


Step 4

Attach drawer front

Follow the installation drawing for locating hole positions for front fixing brackets and pre-bore the necessary EXPANDO Ø10 x 12 holes (screw-on versions also available). Insert front fixing bracket into pre-bored holes and screw as shown to secure.

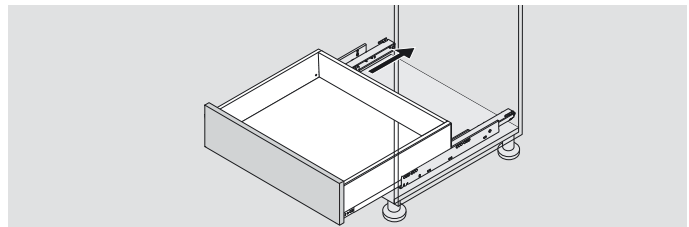
Snap drawer front onto drawer.



Step 5

Drawer box installation

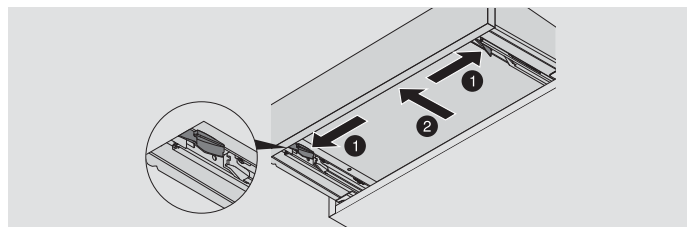
Place drawer box onto cabinet profiles and insert drawer box into cabinet.



Drawer Removal

Drawer box removal

Pull drawer forward to reveal locking devices. Squeeze triggers on locking device and lift drawer box off of runners.



LEGRABOX



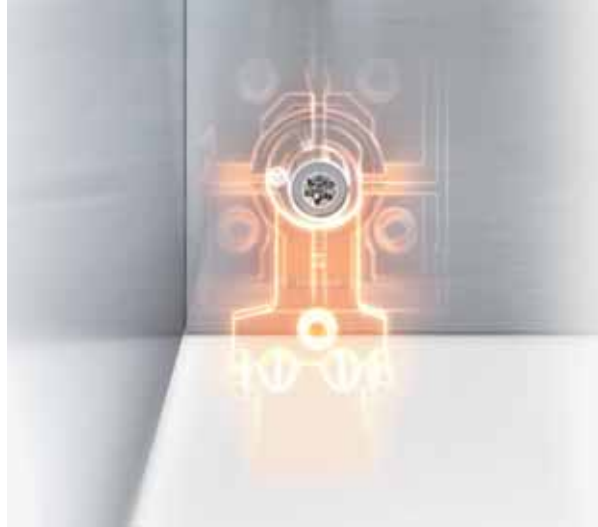
Adjustment

One of the many benefits of the LEGRABOX system is the fully integrated, three-dimensional adjustment mechanism. Height and side adjustments can be made easily on the inside of the drawer profile, beneath the cover cap, and the tilt adjustment is located at the rear of the profile. Additionally, all adjustments are made using a T20 TORX driver (see page 62).

Height Adjustment



Tilt Adjustment



Side Adjustment



Front Removal

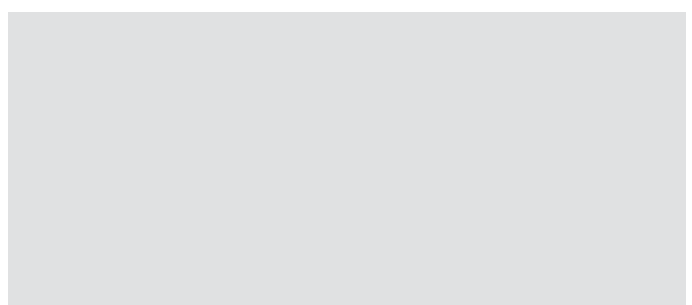
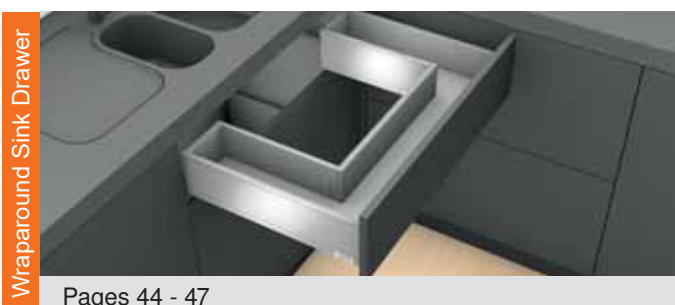


Online Resource for Planning

Easy Planning

Blum offers many online tools to help you with your kitchen planning and ordering. Online Product Configurator (OPC) offers a parts list and planning information based on your specifications. Once complete, your results can then be exported to a shareable document.

OPC is easily accessible on our website at blum.com/configurator



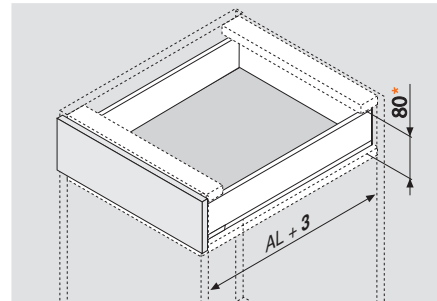
Application



Features

- Full extension drawer system with BLUMOTION
- Smooth running action
- Two-dimensional drawer front adjustment
- Dynamic load capacity of 88 lb
- Drawer profile height **66.5** (2-5/8")
- Compatible with TIP-ON BLUMOTION* and SERVO-DRIVE

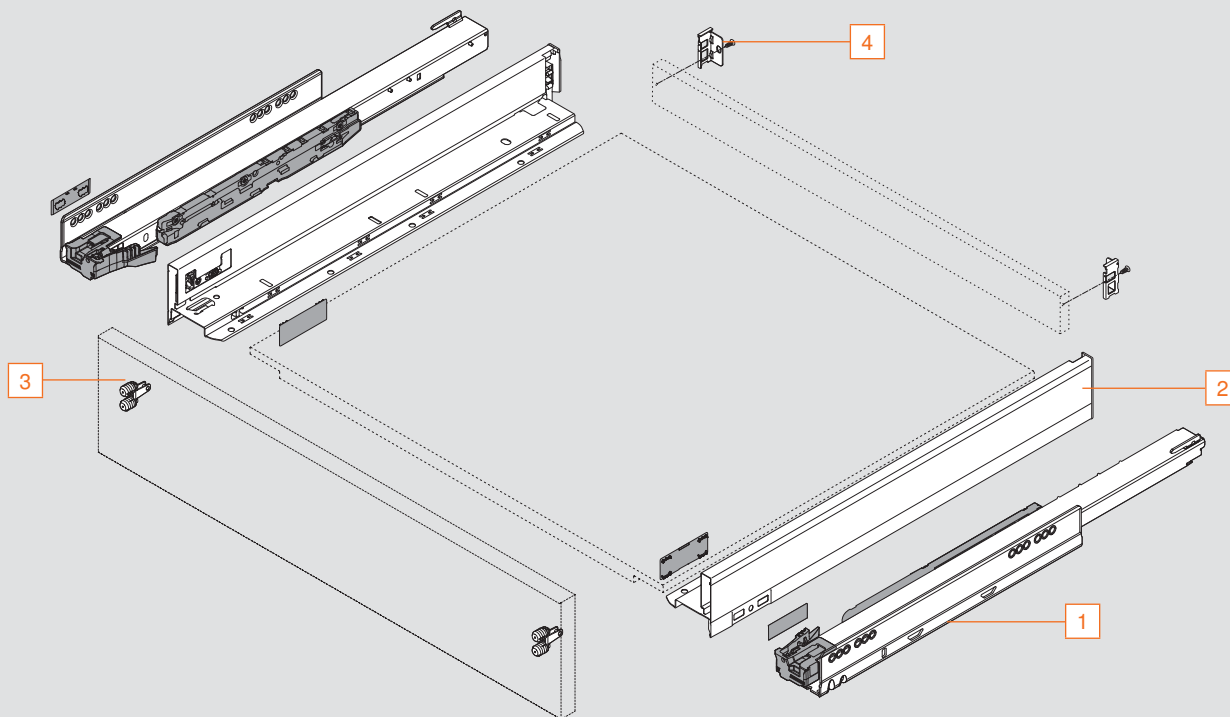
Space Requirements



AL = Actual cabinet profile length

*Minimum opening height based on 3 (1/8") clearance

Components



NOTE: Parts identified on right page

***TIP-ON BLUMOTION:** Enables drawers to be opened with a light touch to the front and retain BLUMOTION soft closing action

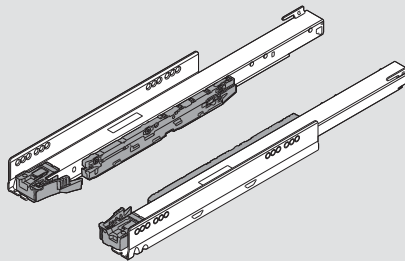
page 49

Cabinet and drawer profile sets

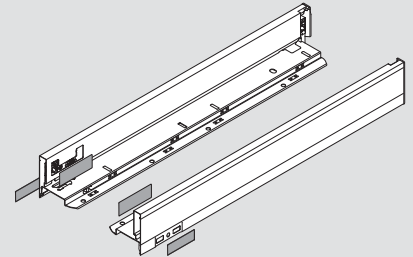
Sets include:

- Left and right profile
- Drawer profiles include color coordinated cover cap

1 Cabinet profile



2 Drawer profile



Nominal length	Actual cabinet profile length	88 lb	Orion gray	Stainless steel
18"	450 (17-11/16")	750.4501S	770N4502S	770N4502I
20"	500 (19-11/16")	750.5001S	770N5002S	770N5002I
22"	550 (21-5/8")	750.5501S	770N5502S	770N5502I
Installation wood screw		707N	612TH	612TH
Installation system screw		661.1300.HG		

Front fixing bracket

3

- Two required per drawer

EXPANDO



Part no.

EXPANDO	ZF7N70E2
Screw-on*	ZF7N7002

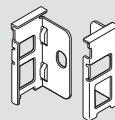
*Use of #6 x 5/8" wood screw is recommended

Rear fixing bracket set

4

Set includes:

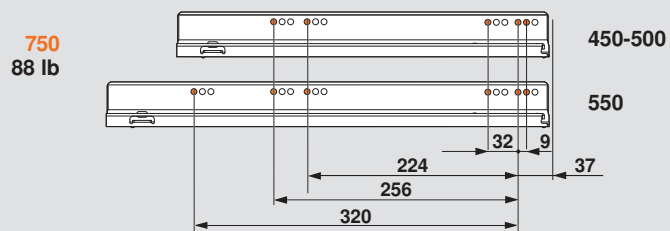
- Left and right bracket
- Orion gray (OG-M)



Part no.

Rear fixing bracket set	ZB7N000S
Installation screw	612TH

Cabinet profile installation



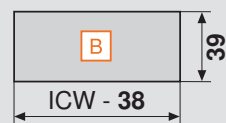
NOTE: The orange dots indicate fixing screw locations required to meet specified load ratings

Cutting dimensions for bottom and back

Drawer bottom

Width = Inside cabinet width minus **35** (1-3/8")

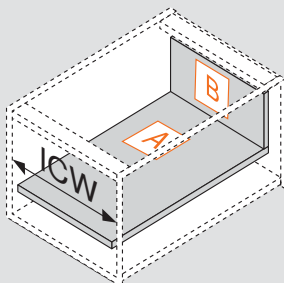
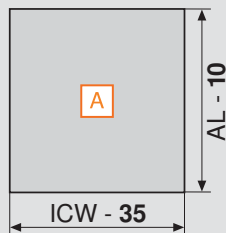
Length = Actual cabinet profile length minus **10** (13/32")



Drawer back

Width = Inside cabinet width minus **38** (1-1/2")

Height = **39** (1-17/32")



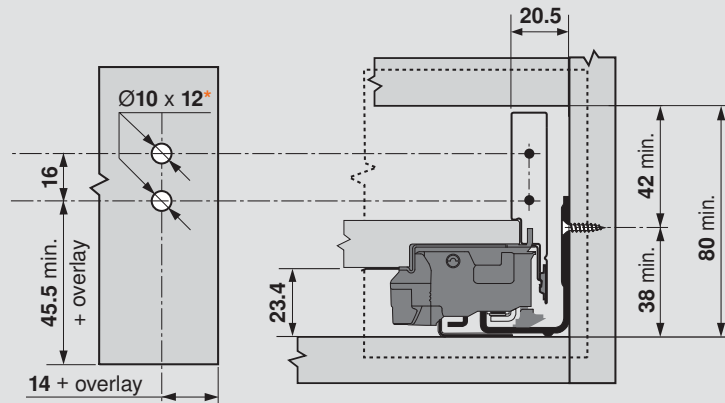
AL = Actual cabinet profile length

ICW = Inside cabinet width



NOTE: Use **16** (5/8") material for bottom and back

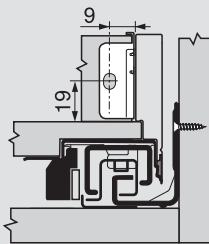
Front fixing bracket installation



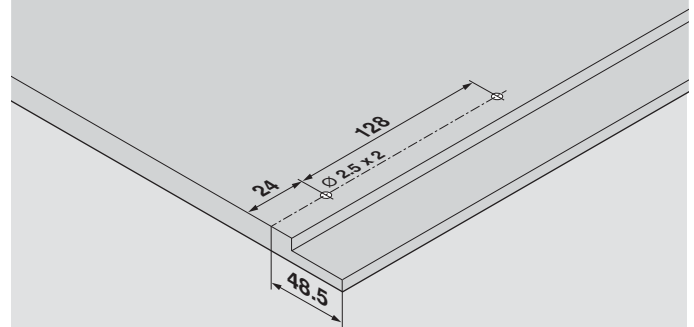
NOTE: For full drawer assembly see page 9

*Pre-boring dimensions for EXPANDO only, for screw-on pre-bore $\text{Ø}2 \times 2.5$

Rear fixing bracket installation



Bottom boring distance



Pre-bore dimension $\text{Ø} 2.5 \times 2$

M Height Drawer

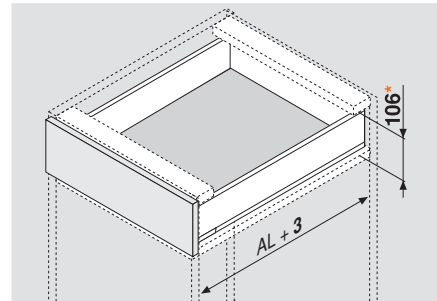
Application



Features

- Full extension drawer system with BLUMOTION
- Smooth running action
- Three-dimensional drawer front adjustment
- Dynamic load capacity of 88 lb and 155 lb
- Drawer profile height **90.5** (3-9/16")
- Compatible with TIP-ON BLUMOTION* and SERVO-DRIVE

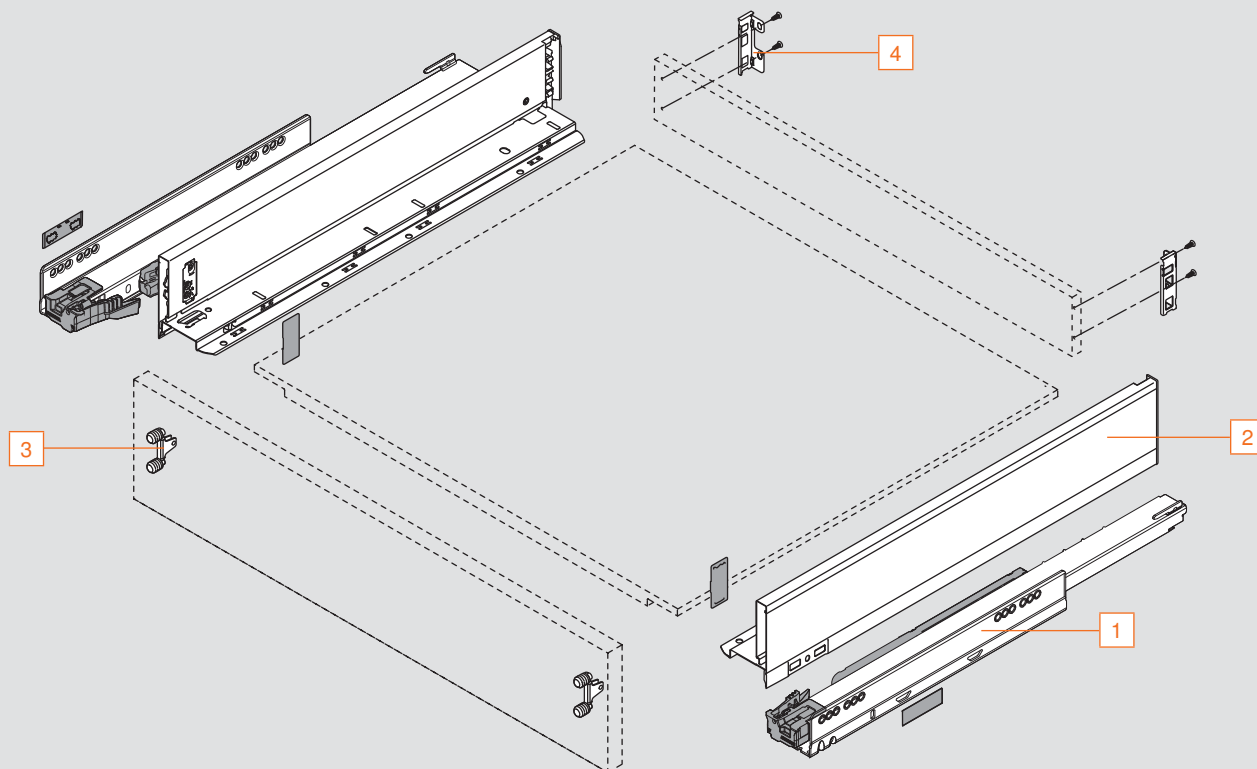
Space Requirements



AL = Actual cabinet profile length

*Minimum opening height based on 3 (1/8") clearance

Components



NOTE: Parts identified on right page

***TIP-ON BLUMOTION:** Enables drawers to be opened with a light touch to the front and retain BLUMOTION soft closing action

page 50

Required Parts

LEGRABOX

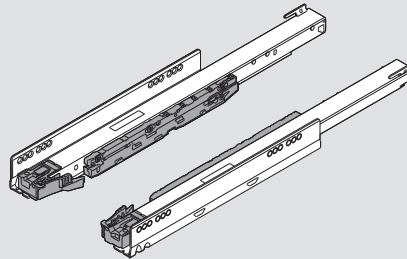


Cabinet and drawer profile sets

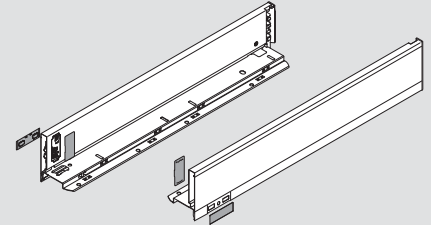
Sets include:

- Left and right profile
- Drawer profiles include color coordinated cover cap

1 Cabinet profile



2 Drawer profile



Nominal length	Actual cabinet profile length	Cabinet profile		Drawer profile	
		88 lb	155 lb	Orion gray	Stainless steel
11"	270 (10-5/8")	750.2701S		770M2702S	770M2702I
14"	350 (13-3/4")	750.3501S		770M3502S	770M3502I
16"	400 (15-3/4")	750.4001S		770M4002S	770M4002I
18"	450 (17-11/16")	750.4501S	753.4501S	770M4502S	770M4502I
20"	500 (19-11/16")	750.5001S	753.5001S	770M5002S	770M5002I
22"	550 (21-5/8")	750.5501S	753.5501S	770M5502S	770M5502I
24"	600 (23-5/8")		753.6001S	770M6002S	770M6002I
26"	650 (25-9/16")		753.6501S	770M6502S	770M6502I
Installation wood screw		707N	707N	612TH	612TH
Installation system screw		661.1300.HG	661.1300.HG		

Front fixing bracket

3

- Two required per drawer

EXPANDO



Part no.

EXPANDO	ZF7M70E2
Screw-on*	ZF7M7002

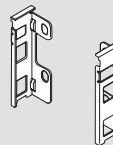
*Use of #6 x 5/8" wood screw is recommended

Rear fixing bracket set

4

Set includes:

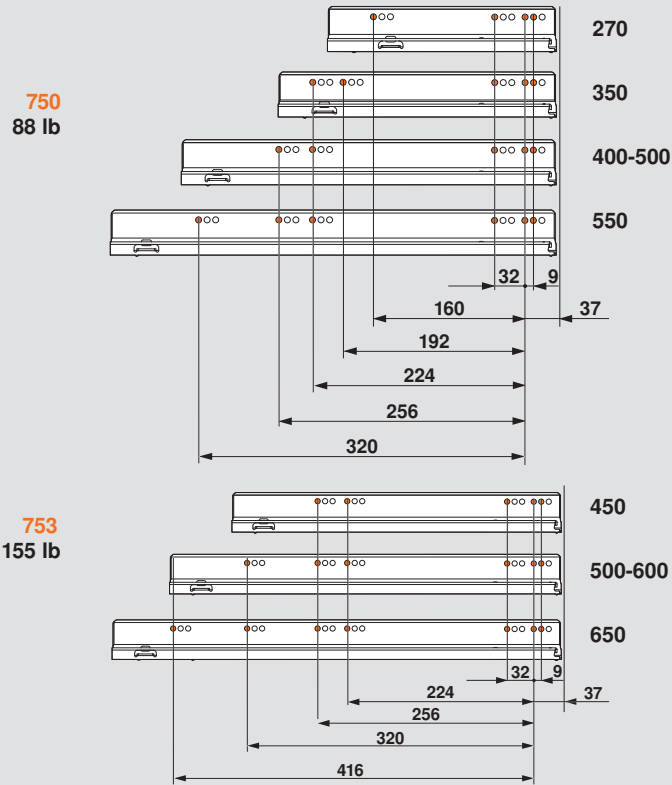
- Left and right bracket
- Orion gray (OG-M)



Part no.

Rear fixing bracket set	ZB7M000S
Installation screw	612TH

Cabinet profile installation



NOTE: The orange dots indicate fixing screw locations required to meet specified load ratings

Cutting dimensions for bottom and back

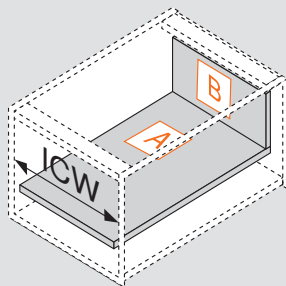
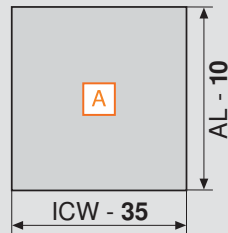
Drawer bottom

Width = Inside cabinet width minus **35** (1-3/8")
 Length = Actual cabinet profile length minus **10** (13/32")

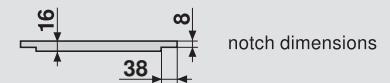


Drawer back

Width = Inside cabinet width minus **38** (1-1/2")
 Height = **63** (2-15/32")

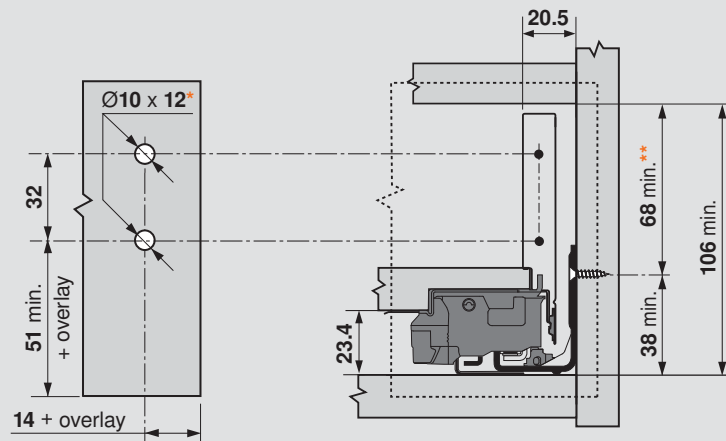


AL = Actual cabinet profile length
 ICW = Inside cabinet width



NOTE: Use **16** (5/8") material for bottom and back

Front fixing bracket installation

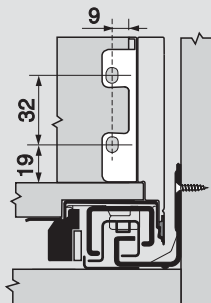


NOTE: For full drawer assembly see page 9

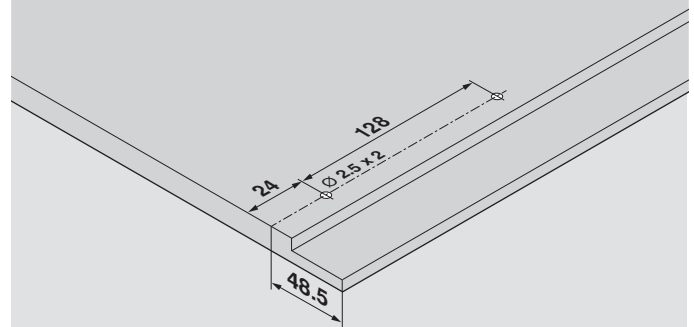
*Pre-boring dimensions for EXPANDO only, for screw-on pre-bore $\text{Ø}2 \times 2.5$

**Includes 2 tilt adjustment

Rear fixing bracket installation



Bottom boring distance



Pre-bore dimension $\text{Ø} 2.5 \times 2$

K Height Drawer

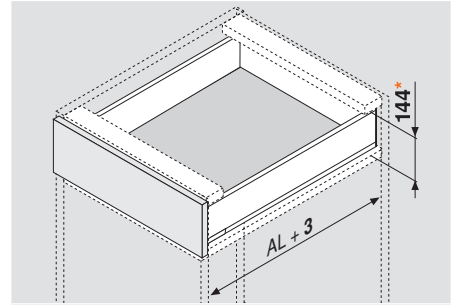
Application



Features

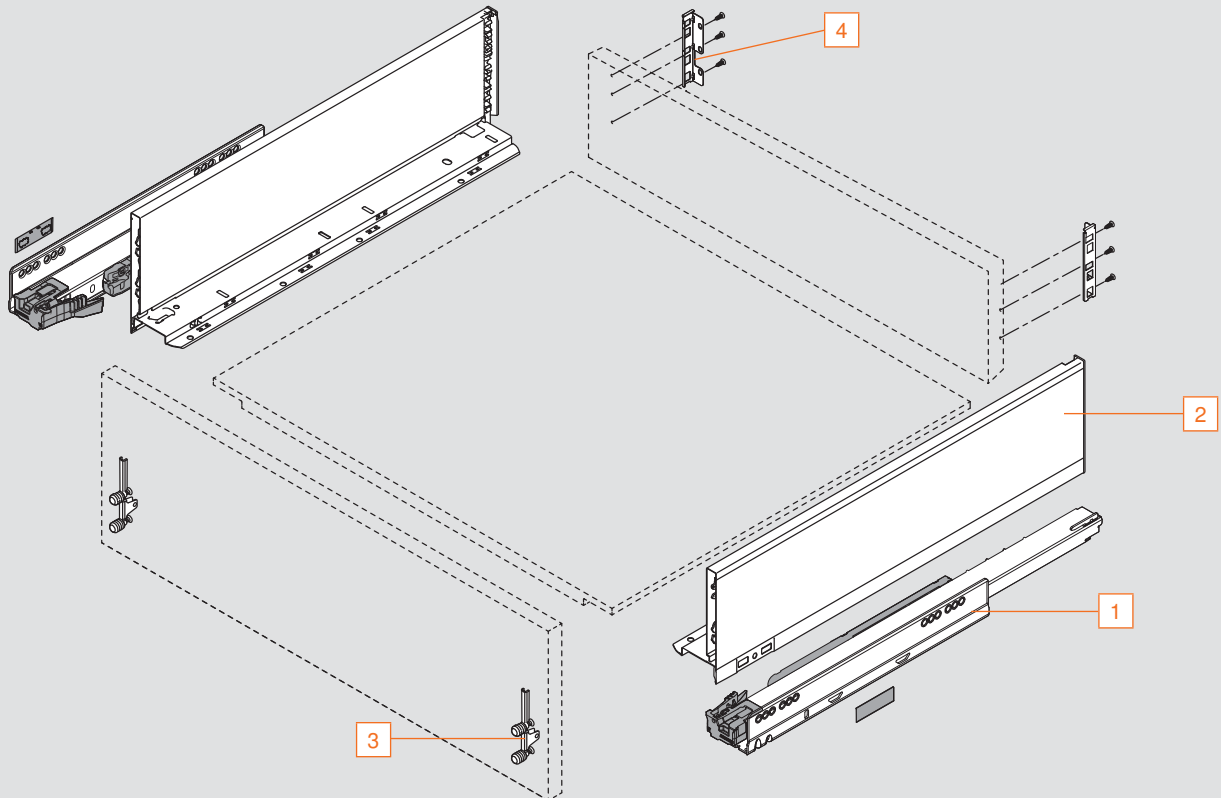
- Full extension drawer system with BLUMOTION
- Smooth running action
- Three-dimensional drawer front adjustment
- Dynamic load capacity of 88 lb and 155 lb
- Drawer profile height **128.5** (5-1/16")
- Compatible with TIP-ON BLUMOTION* and SERVO-DRIVE

Space Requirements



AL = Actual cabinet profile length
 *Minimum opening height based on 3 (1/8") clearance

Components



NOTE: Parts identified on right page

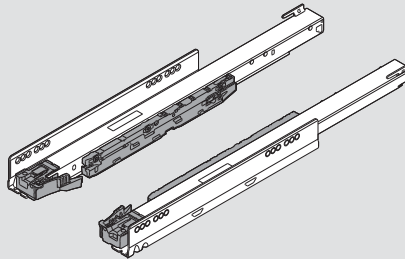
***TIP-ON BLUMOTION:** Enables drawers to be opened with a light touch to the front and retain BLUMOTION soft closing action

Cabinet and drawer profile sets

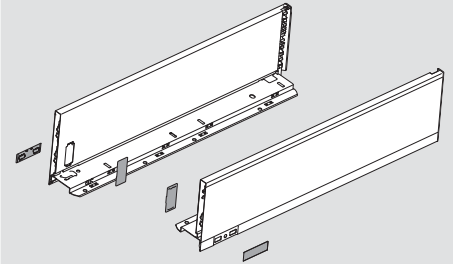
Sets include:

- Left and right profile
- Drawer profiles include color coordinated cover cap

1 Cabinet profile



2 Drawer profile

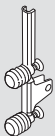


Nominal length	Actual cabinet profile length	Weight		Finish	
		88 lb	155 lb	Orion gray	Stainless steel
14"	350 (13-3/4")	750.3501S		770K3502S	770K3502I
16"	400 (15-3/4")	750.4001S		770K4002S	770K4002I
18"	450 (17-11/16")	750.4501S	753.4501S	770K4502S	770K4502I
20"	500 (19-11/16")	750.5001S	753.5001S	770K5002S	770K5002I
22"	550 (21-5/8")	750.5501S	753.5501S	770K5502S	770K5502I
Installation wood screw		707N	707N	612TH	612TH
Installation system screw		661.1300.HG	661.1300.HG		

Front fixing bracket

- 3 Two required per drawer

EXPANDO

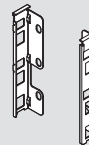


Part no.	
EXPANDO	ZF7K70E2
Screw-on*	ZF7K7002

*Use of #6 x 5/8" wood screw is recommended

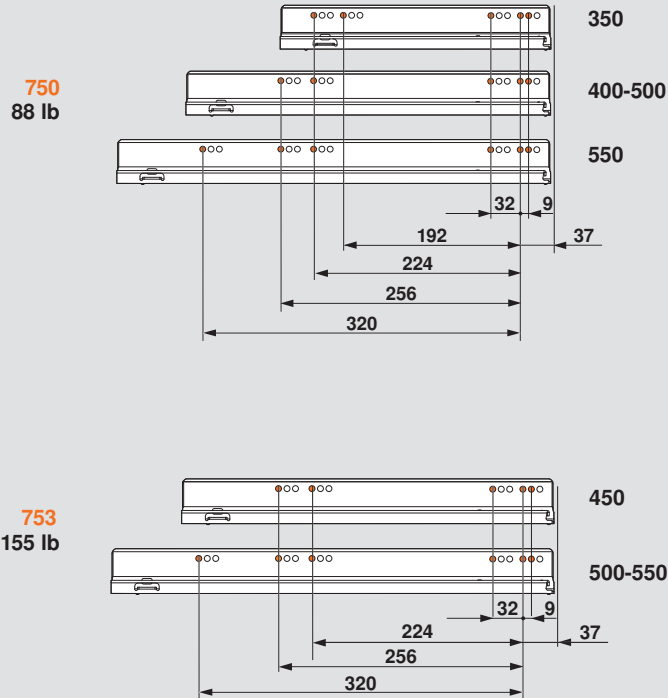
Rear fixing bracket set

- 4 Set includes:
- Left and right bracket
 - Orion gray (OG-M)



Part no.	
Rear fixing bracket set	ZB7K000S
Installation screw	612TH

Cabinet profile installation



NOTE: The orange dots indicate fixing screw locations required to meet specified load ratings

Cutting dimensions for bottom and back

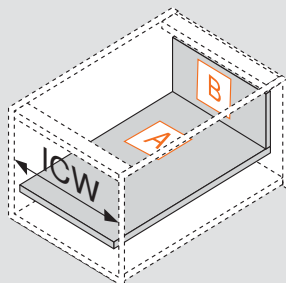
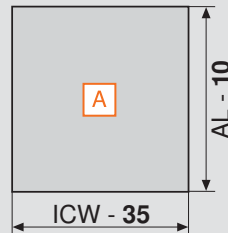
Drawer bottom

Width = Inside cabinet width minus **35** (1-3/8")
 Length = Actual cabinet profile length minus **10** (13/32")



Drawer back

Width = Inside cabinet width minus **38** (1-1/2")
 Height = **101** (3-31/32")

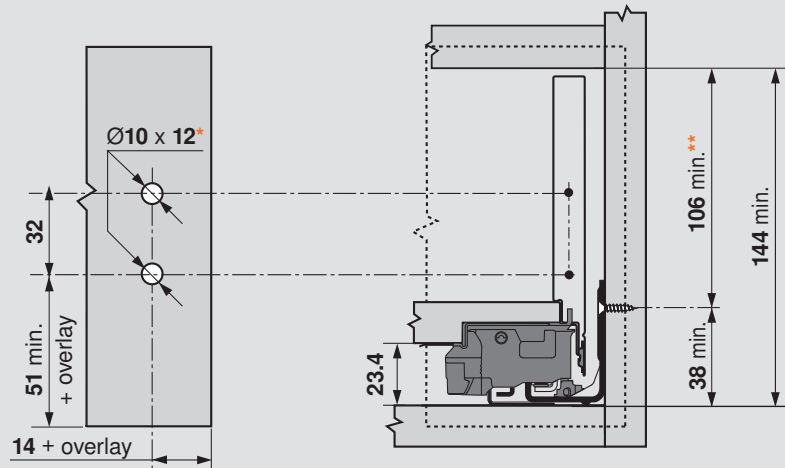


AL = Actual cabinet profile length
 ICW = Inside cabinet width



NOTE: Use **16** (5/8") material for bottom and back

Front fixing bracket installation

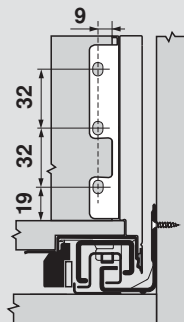


NOTE: For full drawer assembly see page 9

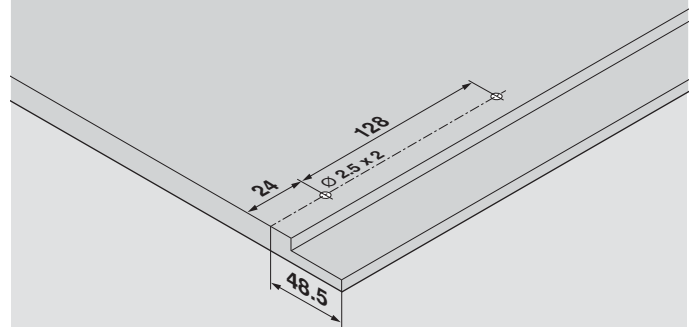
*Pre-boring dimensions for EXPANDO only, for screw-on pre-bore Ø2 x 2.5

**Includes 2 tilt adjustment

Rear fixing bracket installation



Bottom boring distance



Pre-bore dimension Ø2.5 x 2

C Height Drawer

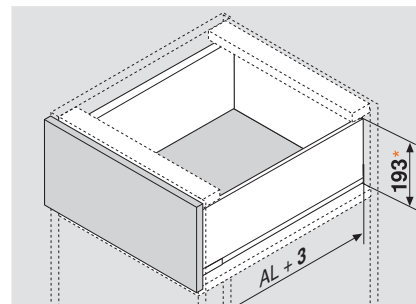
Application



Features

- Full extension drawer system with BLUMOTION
- Smooth running action
- Three-dimensional drawer front adjustment
- Dynamic load capacity of 88 lb and 155 lb
- Drawer profile height 177 (7")
- Compatible with TIP-ON BLUMOTION* and SERVO-DRIVE

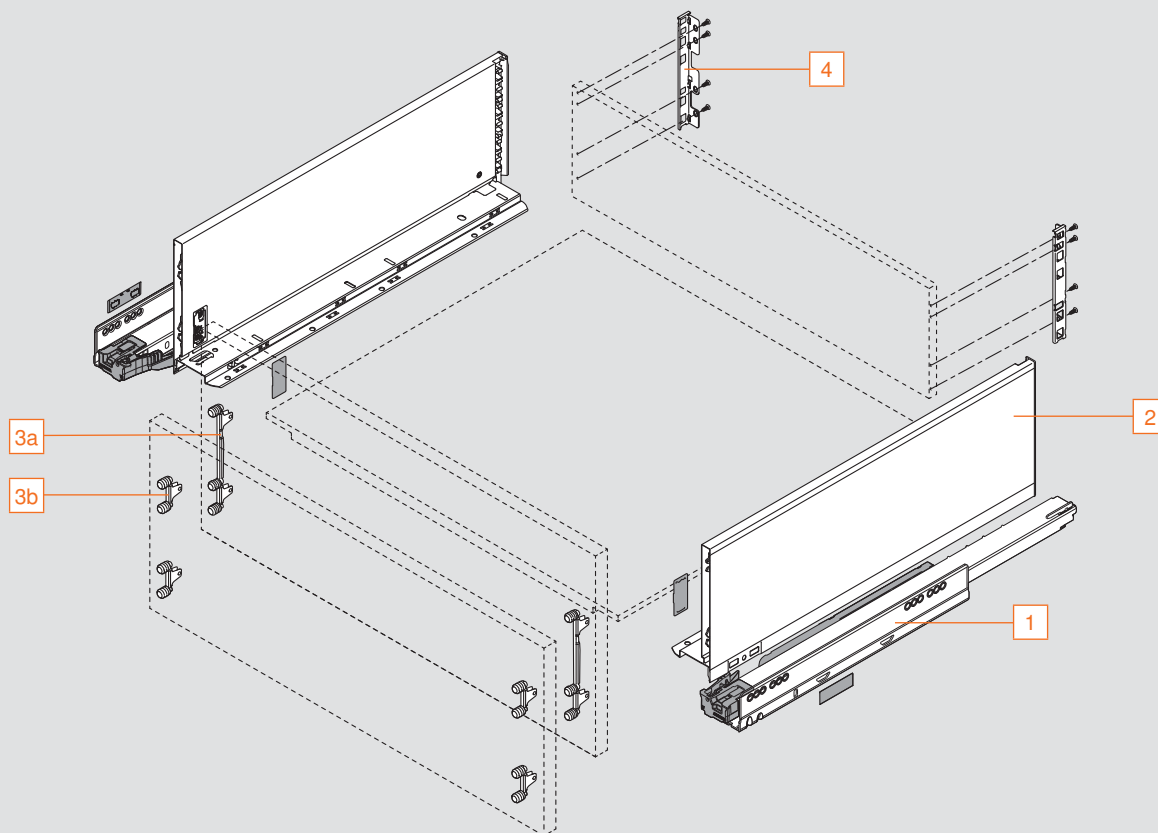
Space Requirements



AL = Actual cabinet profile length

*Minimum opening height based on 3 (1/8") clearance

Components



NOTE: Parts identified on right page

***TIP-ON BLUMOTION:** Enables drawers to be opened with a light touch to the front and retain BLUMOTION soft closing action

page 50

Required Parts

LEGRABOX

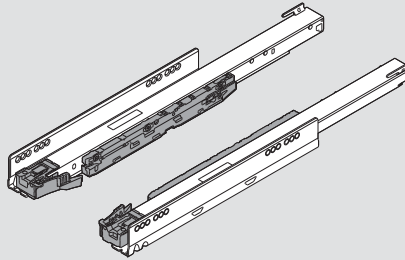


Cabinet and drawer profile sets

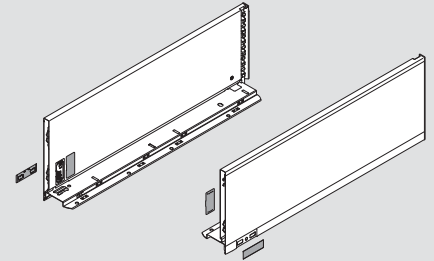
Sets include:

- Left and right profile
- Drawer profiles include color coordinated cover cap

1 Cabinet profile



2 Drawer profile



Nominal length	Actual cabinet profile length	Cabinet profile		Drawer profile	
		88 lb	155 lb	Orion gray	Stainless steel
11"	270 (10-5/8")	750.2701S		770C2702S	770C2702I
14"	350 (13-3/4")	750.3501S		770C3502S	770C3502I
16"	400 (15-3/4")	750.4001S		770C4002S	770C4002I
18"	450 (17-11/16")	750.4501S	753.4501S	770C4502S	770C4502I
20"	500 (19-11/16")	750.5001S	753.5001S	770C5002S	770C5002I
22"	550 (21-5/8")	750.5501S	753.5501S	770C5502S	770C5502I
24"	600 (23-5/8")		753.6001S	770C6002S	770C6002I
26"	650 (25-9/16")		753.6501S	770C6502S	770C6502I
Installation wood screw		707N	707N	612TH	612TH
Installation system screw		661.1300.HG	661.1300.HG		

Front fixing bracket options

EXPANDO

- Two C brackets required per drawer

3a



Part no.

EXPANDO	ZF7C70E2
Screw-on*	ZF7C7002

3b



OR

- Four M brackets required per drawer

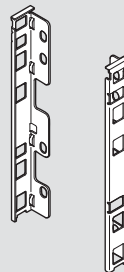
Part no.

EXPANDO	ZF7M70E2
Screw-on*	ZF7M7002

*Use of #6 x 5/8" wood screw recommended

Rear fixing bracket set

4



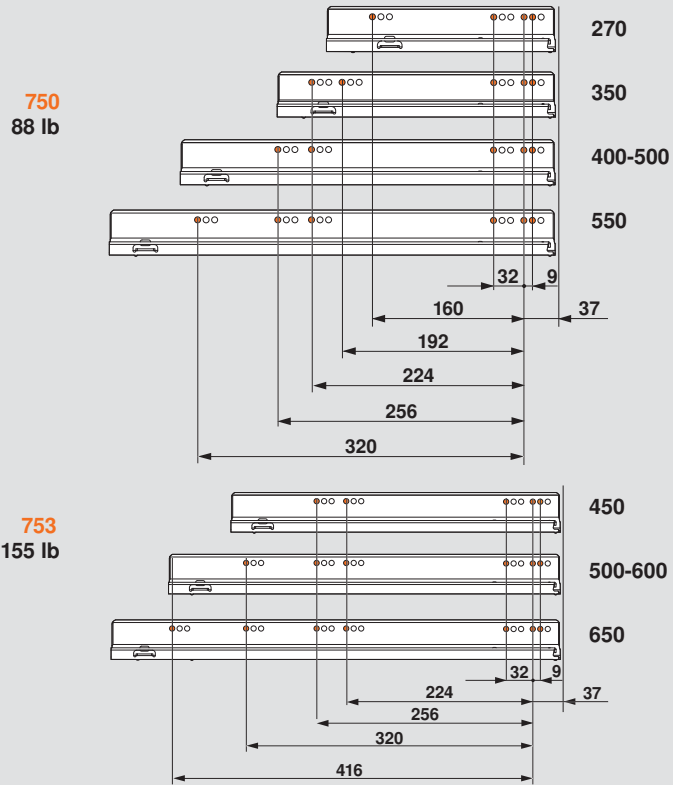
Set includes:

- Left and right bracket
- Orion gray (OG-M)

Part no.

Rear fixing bracket set	ZB7C000S
Installation screw	612TH

Cabinet profile installation

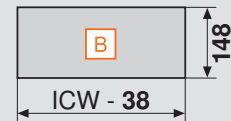


NOTE: The orange dots indicate fixing screw locations required to meet specified load ratings

Cutting dimensions for bottom and back

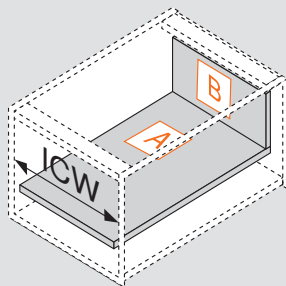
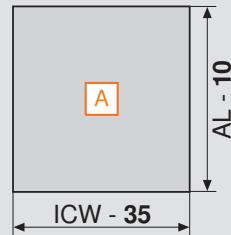
Drawer bottom

Width = Inside cabinet width minus **35** (1-3/8")
 Length = Actual cabinet profile length minus **10** (13/32")



Drawer back

Width = Inside cabinet width minus **38** (1-1/2")
 Height = **148** (5-13/16")

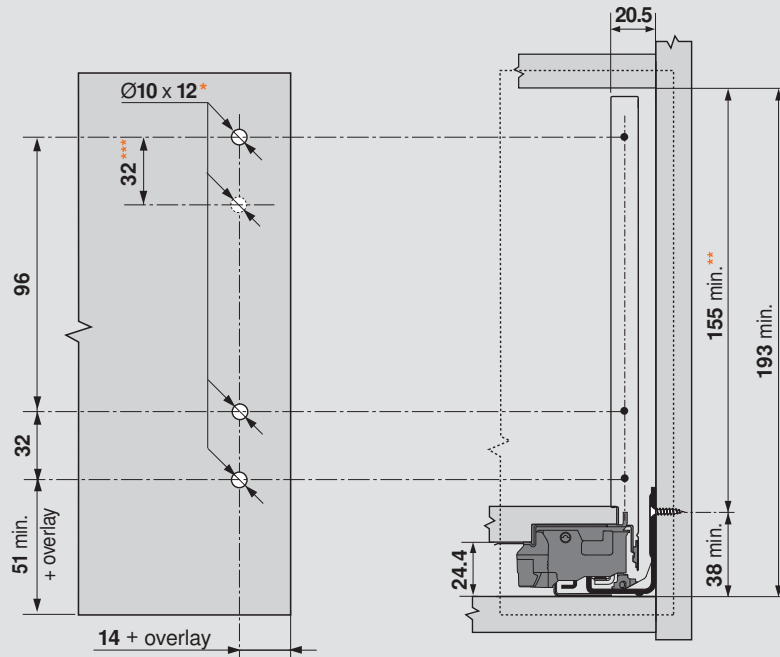


AL = Actual cabinet profile length
 ICW = Inside cabinet width



NOTE: Use **16** (5/8") material for bottom and back

Front fixing bracket installation



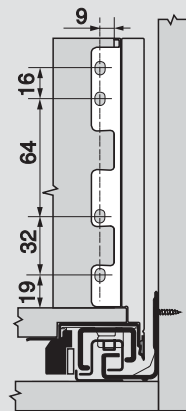
NOTE: For full drawer assembly see page 9

*Pre-boring dimensions for EXPANDO only, for screw-on pre-bore $\text{Ø}2 \times 2.5$

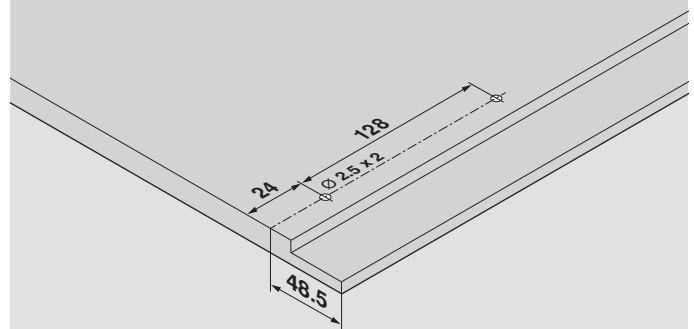
**Includes 2 tilt adjustment

***For use with two M brackets

Rear fixing bracket installation



Bottom boring distance



Pre-bore dimension $\text{Ø}2.5 \times 2$

F Height Drawer

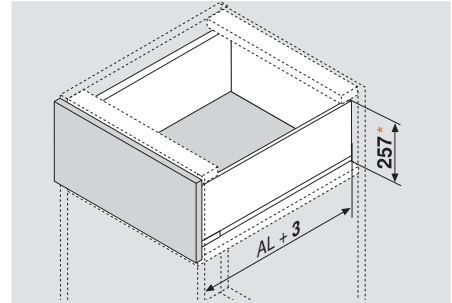
Application



Features

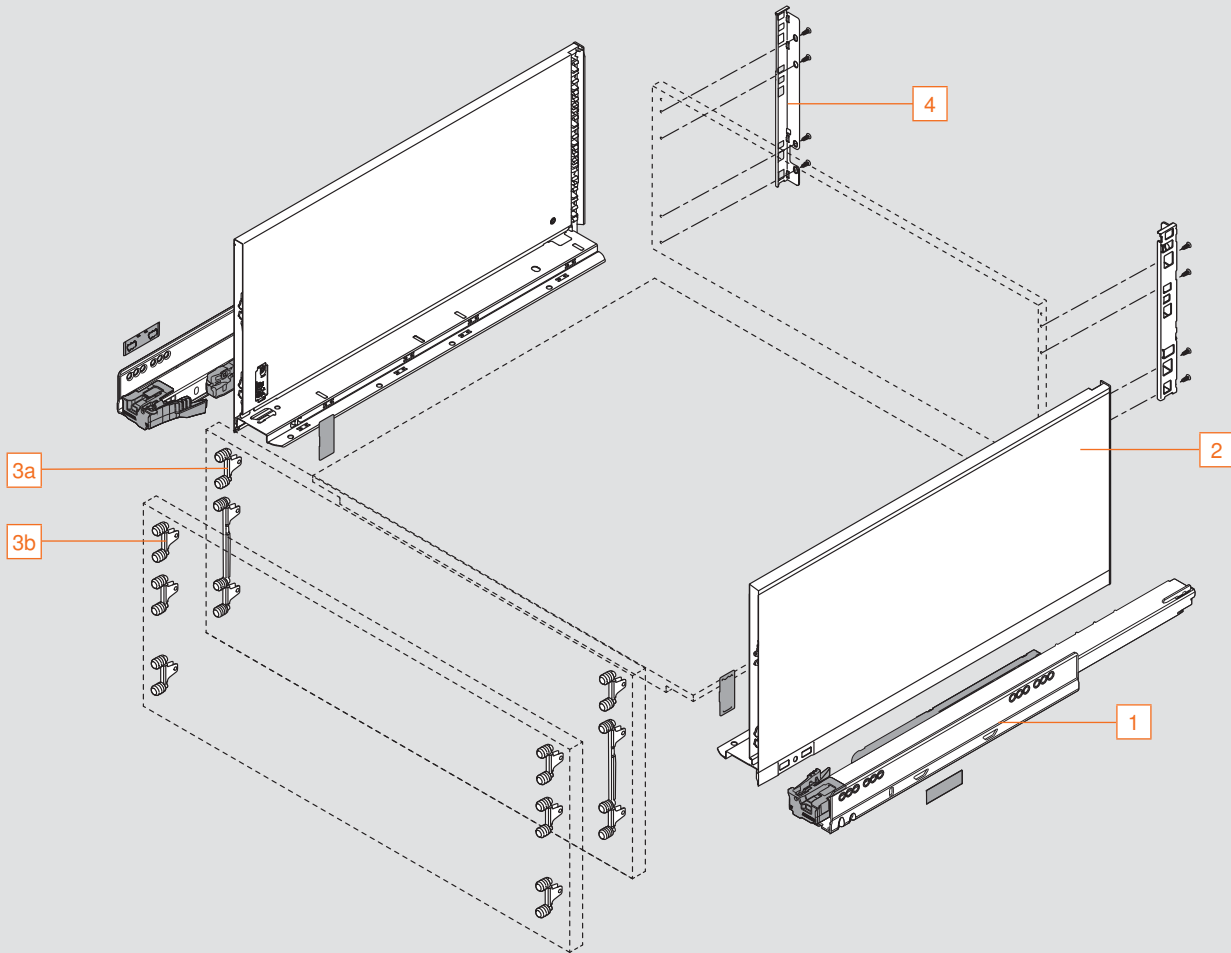
- Full extension drawer system with BLUMOTION
- Smooth running action
- Three-dimensional drawer front adjustment
- Dynamic load capacity of 88 lb and 155 lb
- Drawer profile height 241 (9-1/2")
- Compatible with TIP-ON BLUMOTION* and SERVO-DRIVE

Space Requirements



AL = Actual cabinet profile length
 *Minimum opening height based on 3 (1/8") clearance

Components



NOTE: Parts identified on right page

***TIP-ON BLUMOTION:** Enables drawers to be opened with a light touch to the front and retain BLUMOTION soft closing action

Required Parts

LEGRABOX

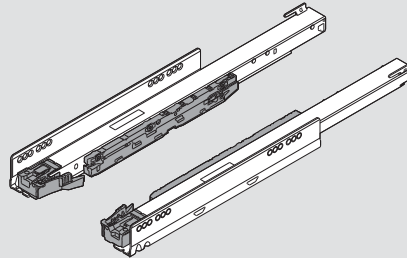


Cabinet and drawer profile sets

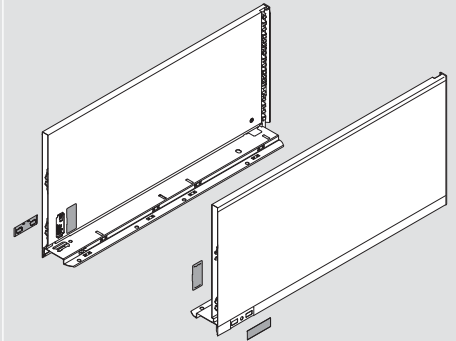
Sets include:

- Left and right profile
- Drawer profiles include color coordinated cover cap

1 Cabinet profile



2 Drawer profile

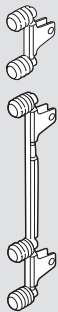


Nominal length	Actual cabinet profile length	Weight		Color	
		88 lb	155 lb	Orion gray	Stainless steel
16"	400 (15-3/4")	750.4001S		770F4002S	770F4002I
18"	450 (17-11/16")	750.4501S	753.4501S	770F4502S	770F4502I
20"	500 (19-11/16")	750.5001S	753.5001S	770F5002S	770F5002I
22"	550 (21-5/8")	750.5501S	753.5501S	770F5502S	770F5502I
26"	650 (25-9/16")		753.6501S	770F6502S	770F6502I
Installation wood screw		707N	707N	612TH	612TH
Installation system screw		661.1300.HG	661.1300.HG		

Front fixing bracket options

EXPANDO

3a



- Two M brackets required per drawer
- Two C brackets required per drawer

Part no.

EXPANDO	ZF7M70E2
Screw-on*	ZF7M7002
EXPANDO	ZF7C70E2
Screw-on*	ZF7C7002

OR

3b



- Six M brackets required per drawer

Part no.

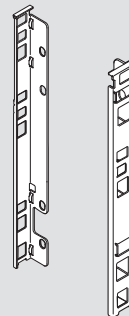
EXPANDO	ZF7M70E2
Screw-on*	ZF7M7002

*Use of #6 x 5/8" wood screw recommended

NOTE: Top bracket ZFM70E2 provides lateral stability

Rear fixing bracket set

4



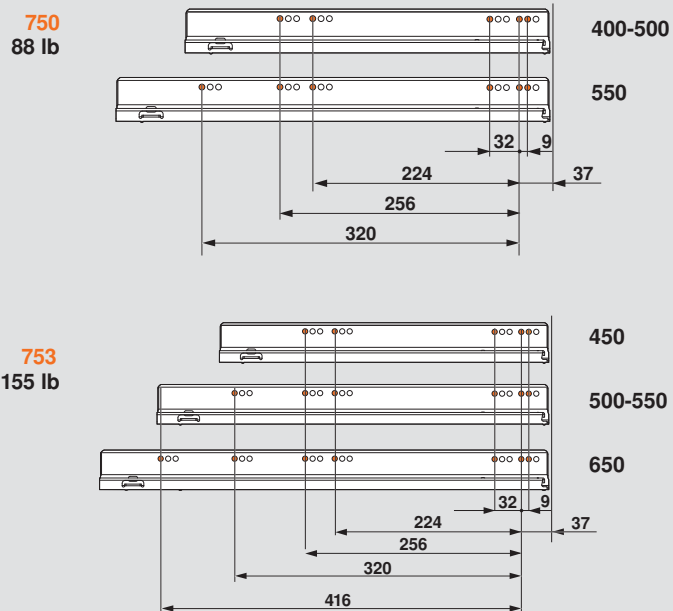
Set includes:

- Left and right bracket
- Orion gray (OG-M)

Part no.

Rear fixing bracket set	ZB7F000S
Installation screw	612TH

Cabinet profile installation



NOTE: The orange dots indicate fixing screw locations required to meet specified load ratings

Cutting dimensions for bottom and back

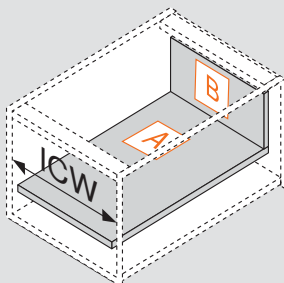
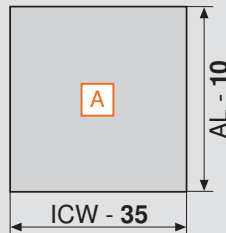
Drawer bottom

Width = Inside cabinet width minus **35** (1-3/8")
 Length = Actual cabinet profile length minus **10** (13/32")



Drawer back

Width = Inside cabinet width minus **38** (1-1/2")
 Height = **212** (8-11/32")

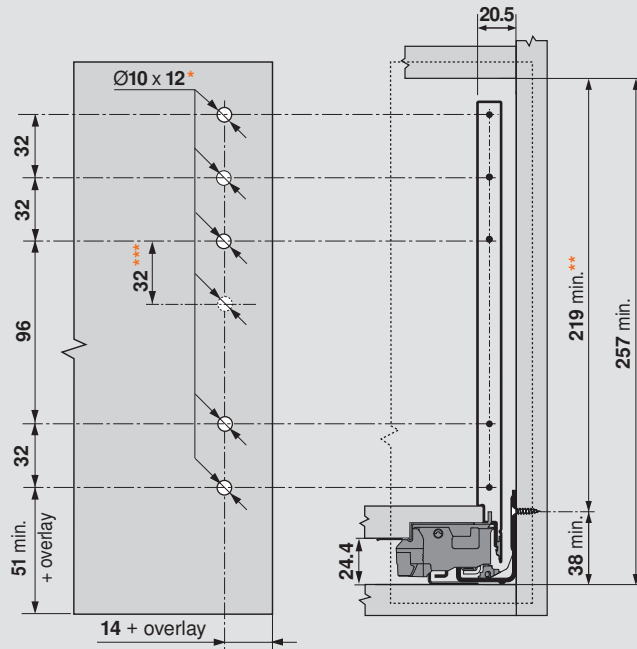


AL = Actual cabinet profile length
 ICW = Inside cabinet width



NOTE: Use **16** (5/8") material for bottom and back

Front fixing bracket installation



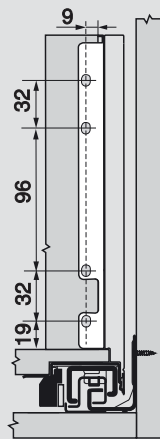
NOTE: For full drawer assembly see page 9

*Pre-boring dimensions for EXPANDO only, for screw-on pre-bore $\text{Ø}2 \times 2.5$

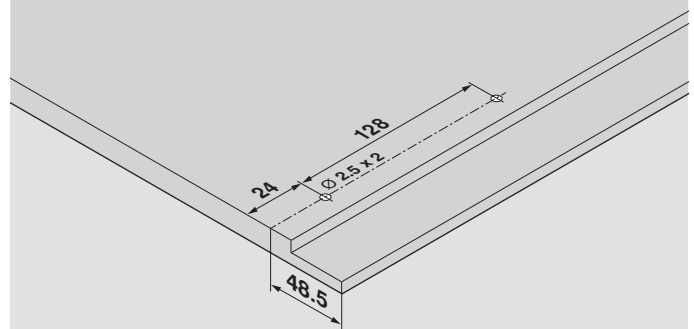
**Includes 2 tilt adjustment

***For use with three M brackets

Rear fixing bracket installation



Bottom boring distance



Pre-bore dimension $\text{Ø}2.5 \times 2$

M Height Interior Roll-out

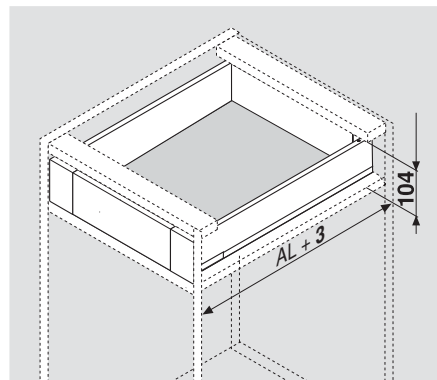
Application



Features

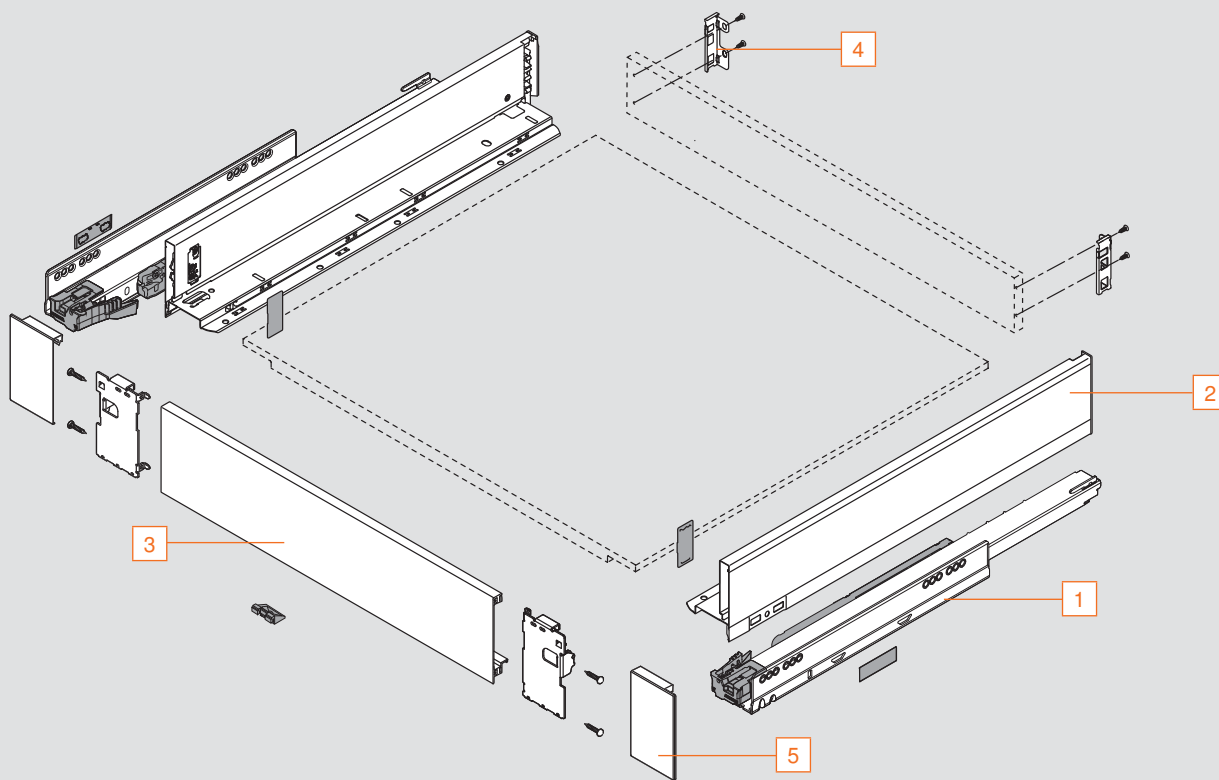
- Full extension drawer system with BLUMOTION
- Smooth running action
- Three-dimensional drawer front adjustment
- Dynamic load capacity of 88 lb and 155 lb
- Drawer profile height **90.5** (3-9/16")
- Compatible with TIP-ON BLUMOTION* and SERVO-DRIVE

Space Requirements



AL = Actual cabinet profile length

Components



NOTE: Parts identified on right page

***TIP-ON BLUMOTION:** Enables drawers to be opened with a light touch to the front and retain BLUMOTION soft closing action

Required Parts

LEGRABOX

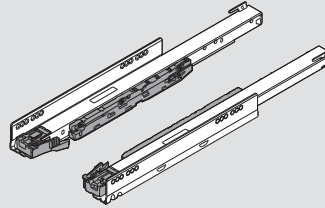


Cabinet and drawer profile sets

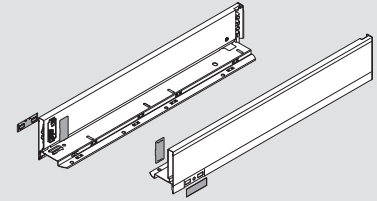
Sets include:

- Left and right profile
- Drawer profiles include color coordinated cover cap

1 Cabinet profile



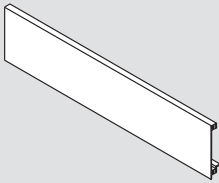
2 Drawer profile



Nominal length	Actual cabinet profile length	Weight		Color	
		88 lb	155 lb	Orion gray	Stainless steel
11"	270 (10-5/8")	750.2701S		770M2702S	770M2702I
14"	350 (13-3/4")	750.3501S		770M3502S	770M3502I
16"	400 (15-3/4")	750.4001S		770M4002S	770M4002I
18"	450 (17-11/16")	750.4501S	753.4501S	770M4502S	770M4502I
20"	500 (19-11/16")	750.5001S	753.5001S	770M5002S	770M5002I
22"	550 (21-5/8")	750.5501S	753.5501S	770M5502S	770M5502I
24"	600 (23-5/8")		753.6001S	770M6002S	770M6002I
26"	650 (25-9/16")		753.6501S	770M6502S	770M6502I
Installation wood screw		707N	707N	612TH	612TH
Installation system screw		661.1300.HG	661.1300.HG		

Front piece

3



- Length **1043** (41-1/16")
- Cut to size
- Maximum inside cabinet width = **1168** (46")

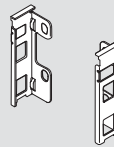
NOTE: Choose Orion gray (OG-M) or brushed nickel (ELN2) on order form

Part no.

Front piece **ZV7.1043C01**

Rear fixing bracket set

4



Set includes:

- Left and right bracket
- Orion gray (OG-M)

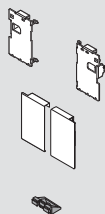
Part no.

Rear fixing bracket set **ZB7M000S**

Installation screw **612TH**

Interior front fixing bracket set

5



Set includes:

- Left and right front fixing bracket
- Left and right outer cover cap
- Locking piece (Z31A0008)
- Screws

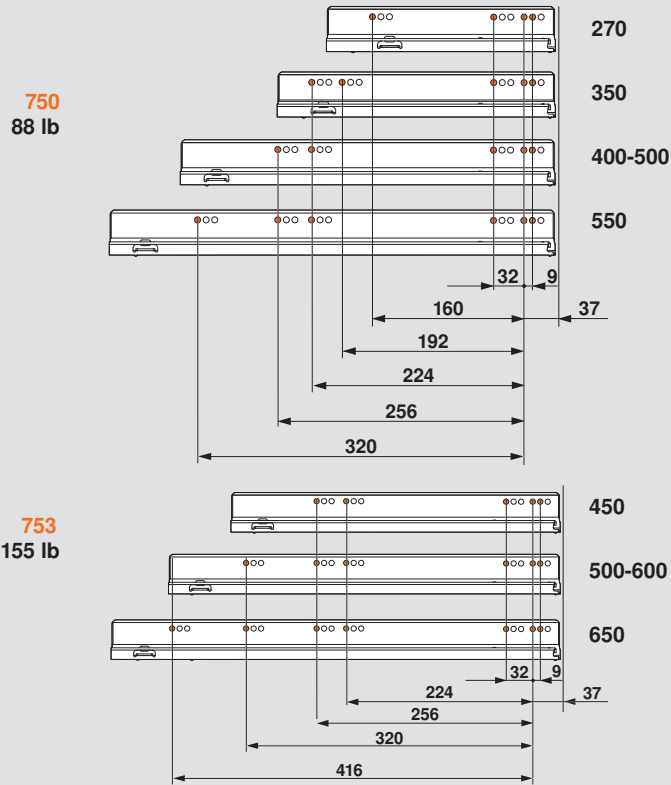
Part no.

Orion gray (OG-M) **ZI7.0MS0**

Stainless steel (INGL) **ZI7.0MI0**

NOTE: M Height interior front assembly instructions on page 66

Cabinet profile installation



NOTE: The orange dots indicate fixing screw locations required to meet specified load ratings

Cutting dimensions for bottom and back

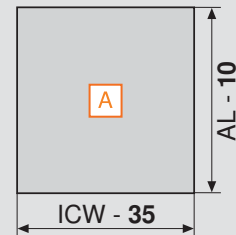
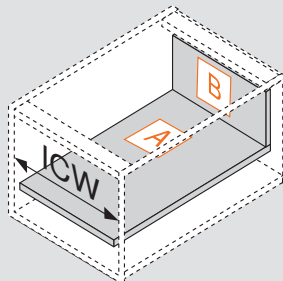
Drawer bottom

Width = Inside cabinet width minus **35** (1-3/8")
 Length = Actual cabinet profile length minus **10** (13/32")

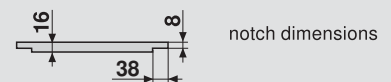


Drawer back

Width = Inside cabinet width minus **38** (1-1/2")
 Height = **63** (2-15/32")

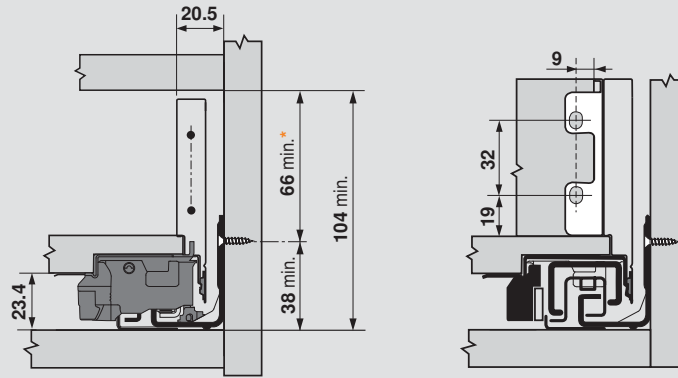


AL = Actual cabinet profile length
 ICW = Inside cabinet width



NOTE: Use **16** (5/8") material for bottom and back

Front fixing bracket installation



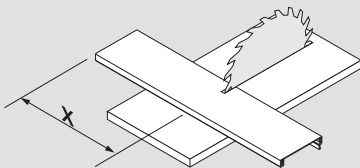
NOTE: For full drawer assembly see page 9 and 66

*Include 2 tilt adjustment

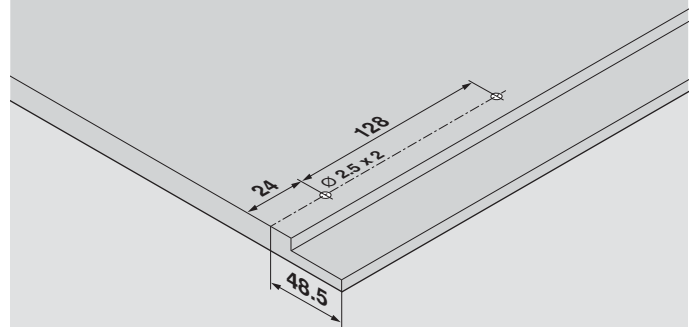
Cutting front piece

Using a metal cutting blade, cut front piece to size.

X = Inside cabinet width minus 126 (5")



Bottom boring distance



Pre-bore dimension $\text{Ø}2.5 \times 2$

K Height Interior Roll-out

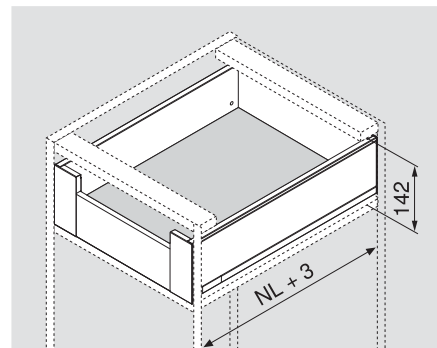
Application



Features

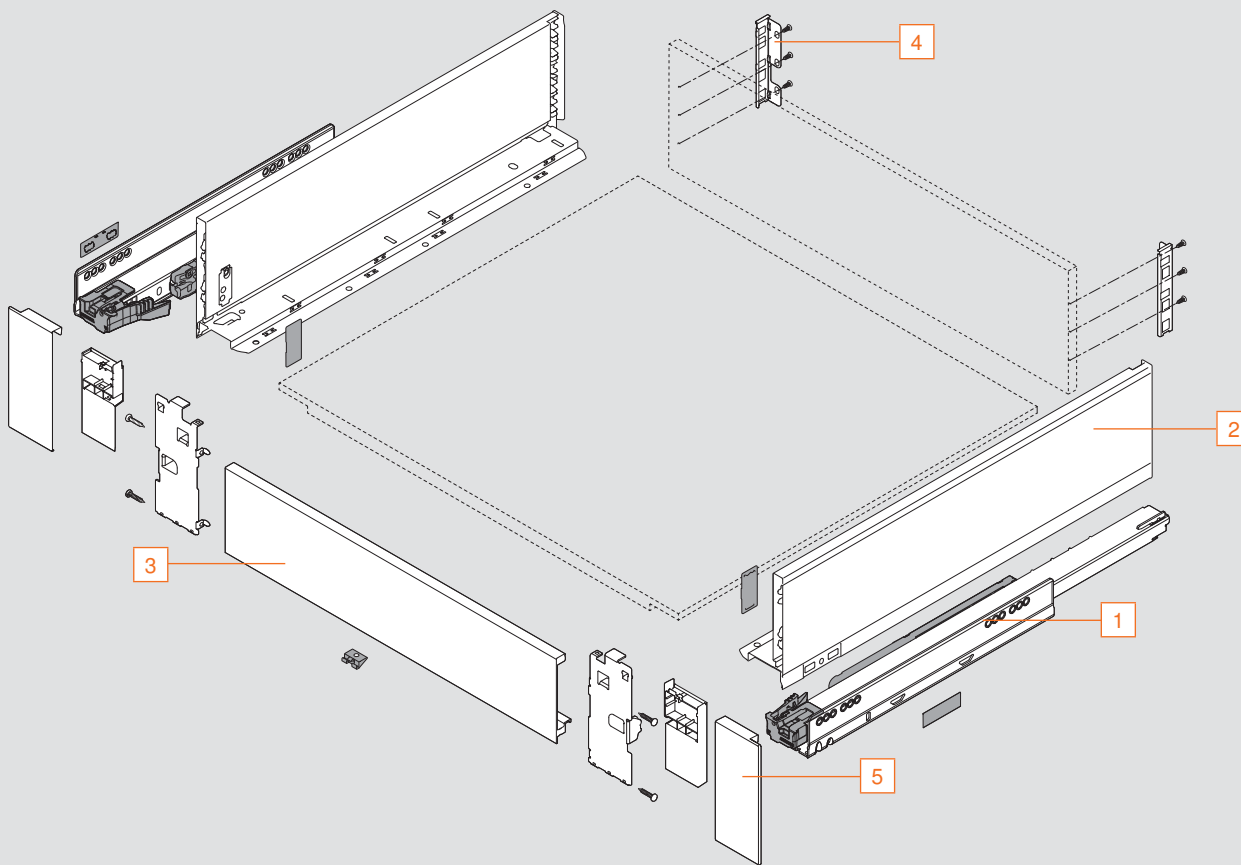
- Full extension drawer system with BLUMOTION
- Smooth running action
- Three-dimensional drawer front adjustment
- Dynamic load capacity of 88 lb and 155 lb
- Drawer profile height 128.5 (5-1/16")
- Compatible with TIP-ON BLUMOTION* and SERVO-DRIVE

Space Requirements



AL = Actual cabinet profile length

Components



NOTE: Parts identified on right page

***TIP-ON BLUMOTION:** Enables drawers to be opened with a light touch to the front and retain BLUMOTION soft closing action

Required Parts

LEGRABOX

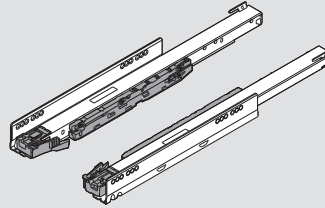


Cabinet and drawer profile sets

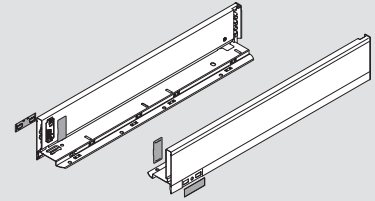
Sets include:

- Left and right profile
- Drawer profiles include color coordinated cover cap

1 Cabinet profile



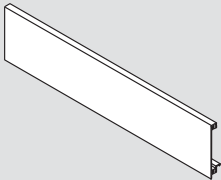
2 Drawer profile



Nominal length	Actual cabinet profile length				
		88 lb	155 lb	Orion gray	Stainless steel
14"	350 (13-3/4")	750.3501S		770K3502S	770K3502I
16"	400 (15-3/4")	750.4001S		770K4002S	770K4002I
18"	450 (17-11/16")	750.4501S	753.4501S	770K4502S	770K4502I
20"	500 (19-11/16")	750.5001S	753.5001S	770K5002S	770K5002I
22"	550 (21-5/8")	750.5501S	753.5501S	770K5502S	770K5502I
Installation wood screw		707N	707N	612TH	612TH
Installation system screw		661.1300.HG	661.1300.HG		

Front piece

3



- Length **1043** (41-1/16")
- Cut to size
- Maximum inside cabinet width = **1168** (46")

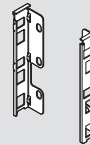
NOTE: Choose Orion gray (OG-M) or brushed nickel (ELN2) on order form

Part no.

Front piece	ZV7.1043C01
-------------	--------------------

Rear fixing bracket set

4



Set includes:

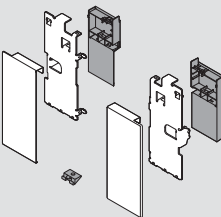
- Left and right bracket
- Orion gray (OG-M)

Part no.

Rear fixing bracket set	ZB7K000S
Installation screw	612TH

Interior front fixing bracket set

5



Set includes:

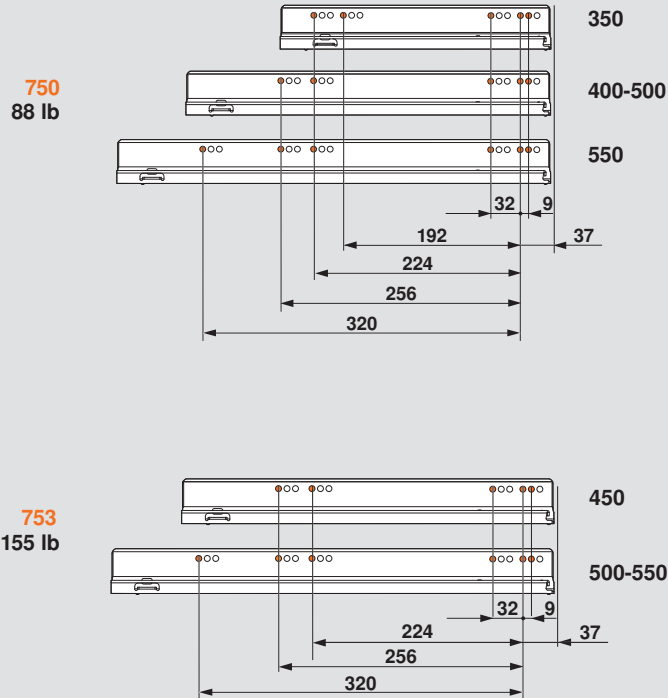
- Left and right front fixing bracket
- Left and right outer cover cap
- Locking piece (Z31A0008)
- Screws

Part no.

Orion gray (OG-M)	ZI7.0KS0
Stainless steel (INGL)	ZI7.0KI0

NOTE: K Height interior front assembly instructions on page 66

Cabinet profile installation



NOTE: The orange dots indicate fixing screw locations required to meet specified load ratings

Cutting dimensions for bottom and back

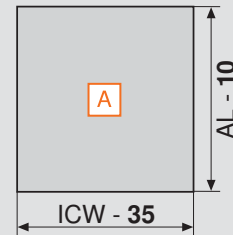
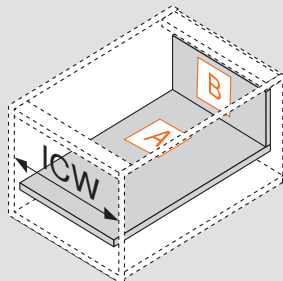
Drawer bottom

Width = Inside cabinet width minus **35** (1-3/8")
 Length = Actual cabinet profile length minus **10** (13/32")



Drawer back

Width = Inside cabinet width minus **38** (1-1/2")
 Height = **101** (3-31/32")

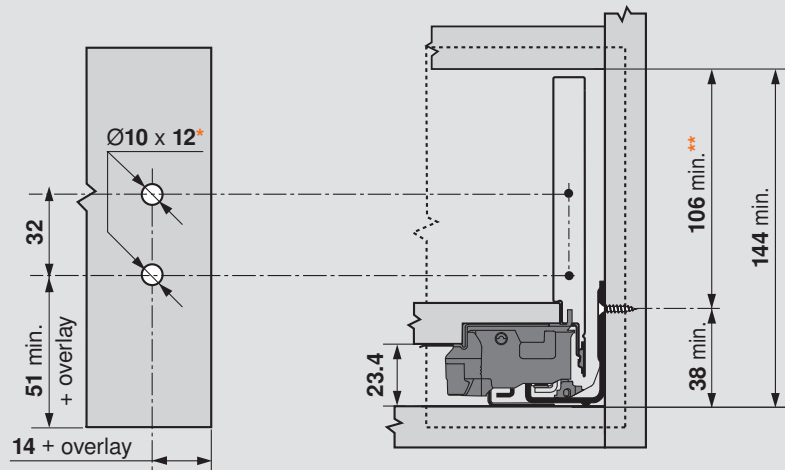


AL = Actual cabinet profile length
 ICW = Inside cabinet width



NOTE: Use **16** (5/8") material for bottom and back

Front fixing bracket installation



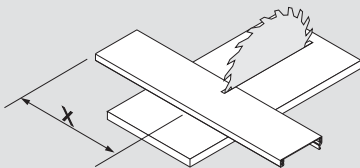
NOTE: For full drawer assembly see page 9 and 66

*Include 2 tilt adjustment

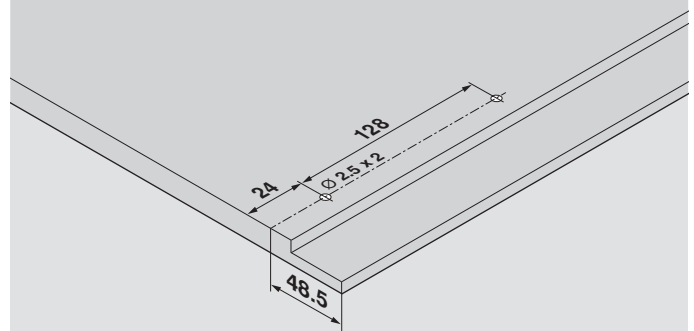
Cutting front piece

Using a metal cutting blade, cut front piece to size.

X = Inside cabinet width minus 126 (5")



Bottom boring distance



Pre-bore dimension Ø2.5 x 2

C Height Interior Roll-out

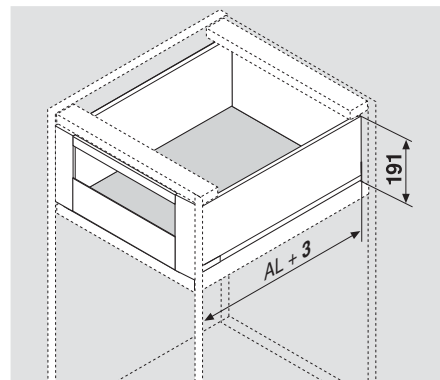
Application



Features

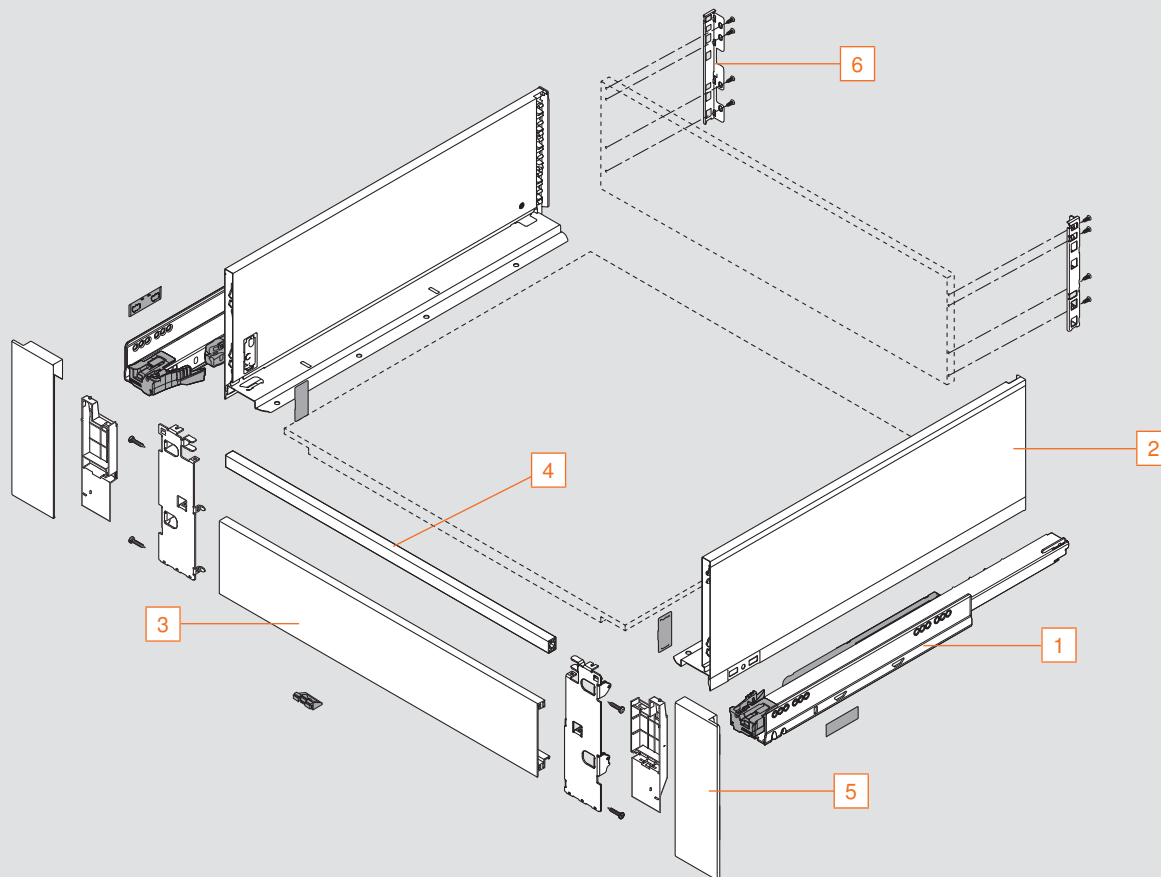
- Full extension drawer system with BLUMOTION
- Smooth running action
- Three-dimensional drawer front adjustment
- Dynamic load capacity of 88 lb and 155 lb
- Drawer profile height 177 (7")
- Compatible with TIP-ON BLUMOTION* and SERVO-DRIVE

Space Requirements



AL = Actual cabinet profile length

Components



NOTE: Parts identified on right page

***TIP-ON BLUMOTION:** Enables drawers to be opened with a light touch to the front and retain BLUMOTION soft closing action

Required Parts

LEGRABOX

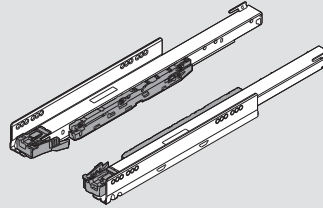


Cabinet and drawer profile sets

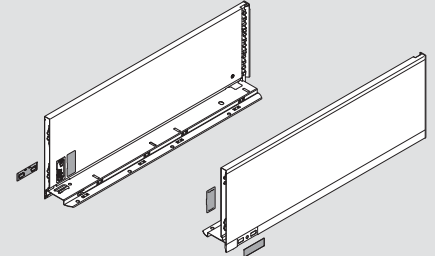
Sets include:

- Left and right profile
- Drawer profiles include color coordinated cover cap

1 Cabinet profile



2 Drawer profile



Nominal length	Actual cabinet profile length	Weight		Color	
		88 lb	155 lb	Orion gray	Stainless steel
11"	270 (10-5/8")	750.2701S		770C2702S	770C2702I
14"	350 (13-3/4")	750.3501S		770C3502S	770C3502I
16"	400 (15-3/4")	750.4001S		770C4002S	770C4002I
18"	450 (17-11/16")	750.4501S	753.4501S	770C4502S	770C4502I
20"	500 (19-11/16")	750.5001S	753.5001S	770C5002S	770C5002I
22"	550 (21-5/8")	750.5501S	753.5501S	770C5502S	770C5502I
24"	600 (23-5/8")		753.6001S	770C6002S	770C6002I
26"	650 (25-9/16")		753.6501S	770C6502S	770C6502I
Installation wood screw		707N	707N	612TH	612TH
Installation system screw		661.1300.HG	661.1300.HG		

Front piece

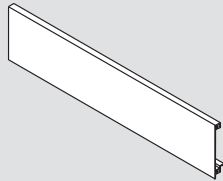
3

- Length **1043** (41-1/16")
- Cut to size
- Maximum inside cabinet width = **1168** (46")

NOTE: Choose Orion gray (OG-M) or brushed nickel (ELN2) on order form

Part no.

Front piece	ZV7.1043C01
-------------	-------------



Cross gallery rail

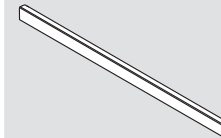
4

- Length **1080** (42-1/2")
- Cut to size

NOTE: Choose Orion gray (OG-M) or brushed nickel (ELN2) on order form

Part no.

Cross rail	ZR7.1080U
------------	-----------



Interior front fixing bracket set

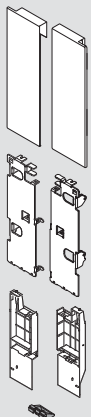
5

Set includes:

- Left and right front fixing bracket
- Left and right outer cover cap
- Left and right inside cover cap
- Locking piece (Z31A0008)
- Screws

Part no.

Orion gray (OG-M)	ZI7.3CS0
Stainless steel (INGL)	ZI7.3CI0



Rear fixing bracket set

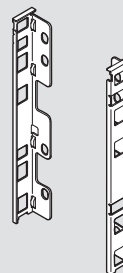
6

Set includes:

- Left and right bracket
- Orion gray (OG-M)

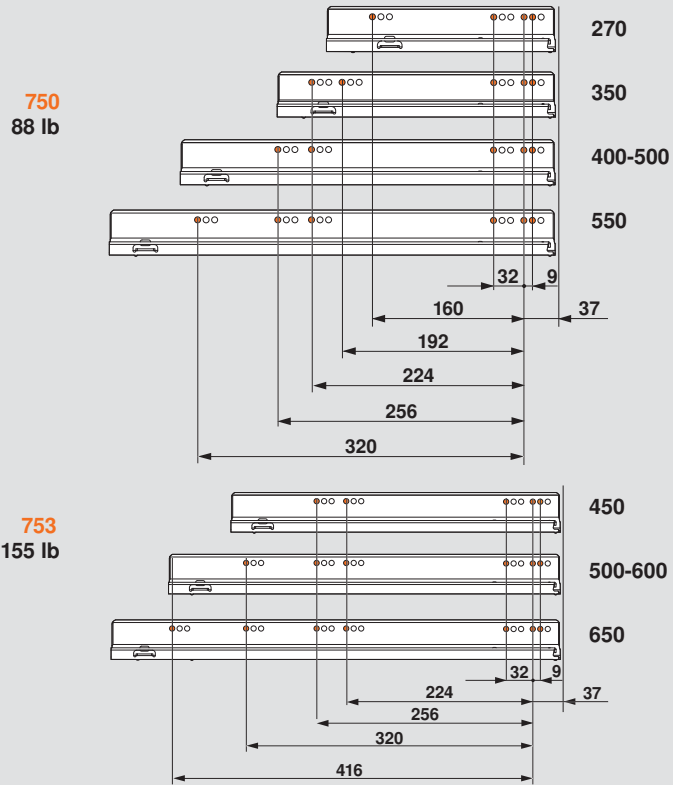
Part no.

Rear fixing bracket set	ZB7C000S
Installation screw	612TH



NOTE: C Height interior front assembly instructions on page 67

Cabinet profile installation

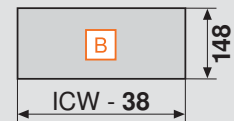


NOTE: The orange dots indicate fixing screw locations required to meet specified load ratings

Cutting dimensions for bottom and back

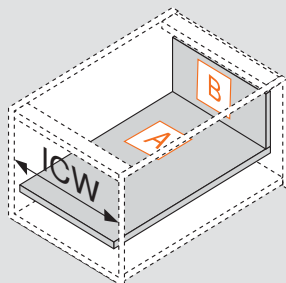
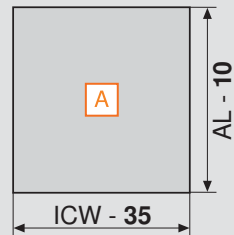
Drawer bottom

Width = Inside cabinet width minus **35** (1-3/8")
 Length = Actual cabinet profile length minus **10** (13/32")



Drawer back

Width = Inside cabinet width minus **38** (1-1/2")
 Height = **148** (5-13/16")

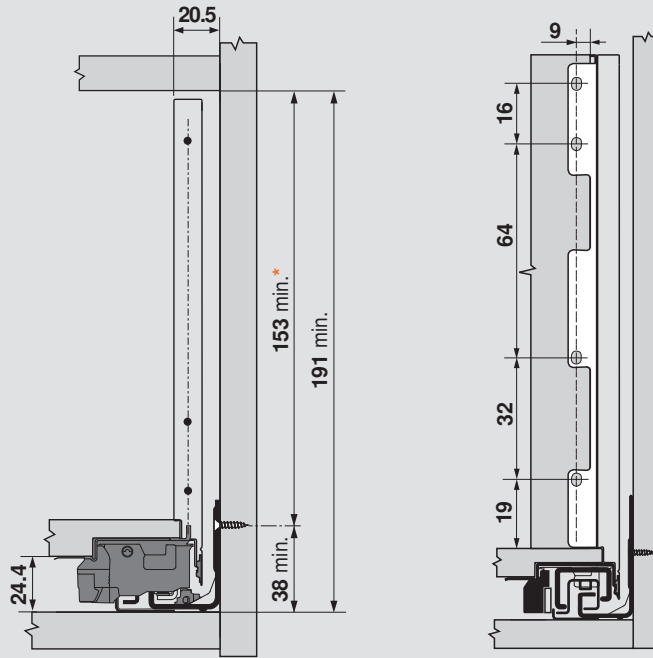


AL = Actual cabinet profile length
 ICW = Inside cabinet width



NOTE: Use **16** (5/8") material for bottom and back

Front fixing bracket installation



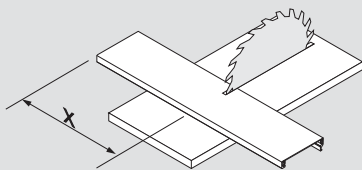
NOTE: For full drawer assembly see page 9 and 67

*Include 2 tilt adjustment

Cutting front piece

Using a metal cutting blade, cut front piece to size.

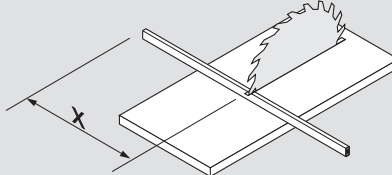
$X = \text{Inside cabinet width minus } 126$
(4-31/32")



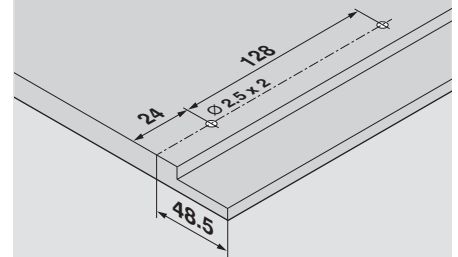
Cutting cross rail

Using a metal cutting blade, cut cross rail to size.

$X = \text{Inside cabinet width minus } 90$
(3-17/32")



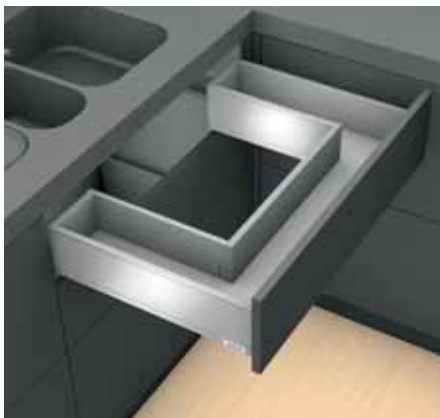
Bottom boring distance



Pre-bore dimension $\text{Ø}2.5 \times 2$

Wraparound Sink Drawer

Application

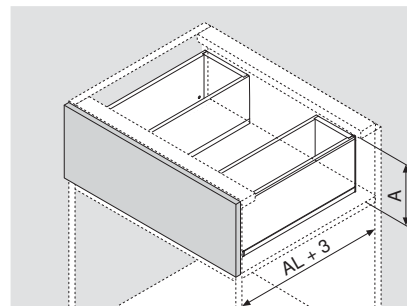


Features

- Full extension drawer system with BLUMOTION
- Smooth running action
- Three-dimensional drawer front adjustment
- Dynamic load capacity of 88 lb and 155 lb

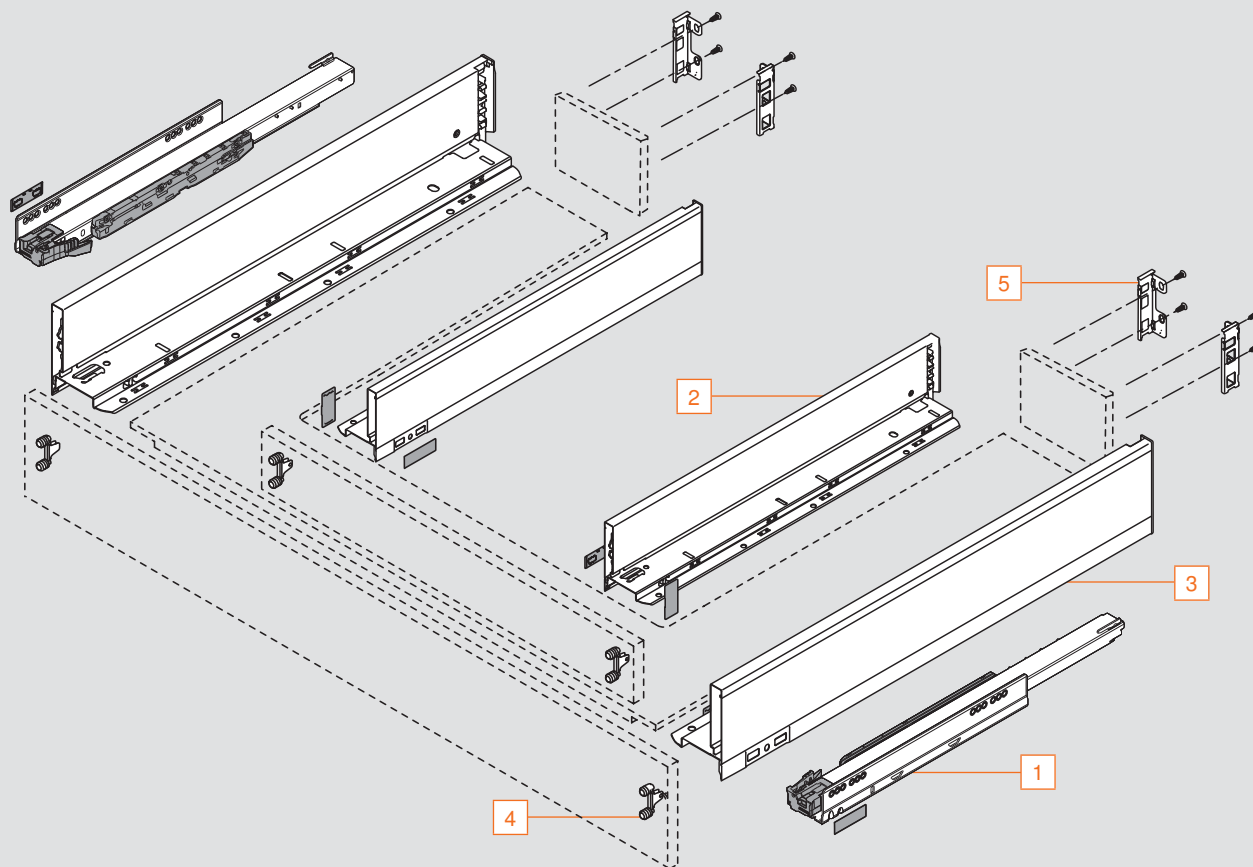
A	
M Height	106
K Height	144*
C Height	193*

Space Requirements



AL = Actual cabinet profile length
 *Minimum opening height based on 3 (1/8") clearance

Components



NOTE: Components showing a M Height wraparound sink drawer application

NOTE: Parts identified on right page

Specifications

LEGRABOX

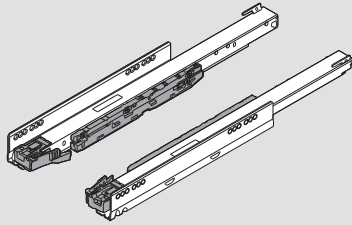


Cabinet profile set

1 Cabinet profile

Sets includes:

- Left and right cabinet profile



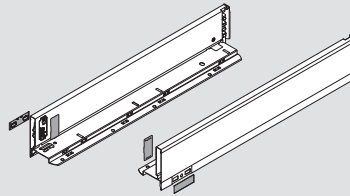
Nominal length	Actual cabinet profile length
22"	550 (21-5/8")
Profile	Part no.
88 lb	750.5501S
155 lb	753.5501S
Screws	Part no.
Installation wood screw	707N
Installation system screw	661.1300.HG

Inside drawer profile set

2 Drawer profile

Sets includes:

- Left and right drawer profile
- Drawer profiles include color coordinated cover cap



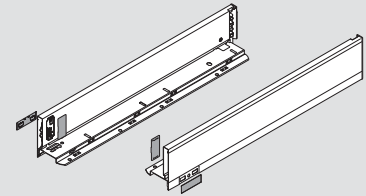
Nominal length	Actual cabinet profile length
18"	450 (17-11/16")
M Height	Part no.
Orion gray	770M4502S
Stainless steel	770M4502I
Screws	Part no.
Installation wood screw	612TH

Outside drawer profile set

3 Drawer profile

Sets includes:

- Left and right drawer profile
- Drawer profiles include color coordinated cover cap



Nominal length	Actual cabinet profile length
22"	550 (21-5/8")
M Height	Part no.
Orion gray	770M5502S
Stainless steel	770M5502I
K Height	Part no.
Orion gray	770K5502S
Stainless steel	770K5502I
C Height	Part no.
Orion gray	770C5502S
Stainless steel	770C5502I
Screws	Part no.
Installation wood screw	612TH

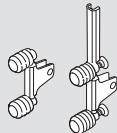
Front fixing bracket options

4

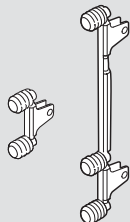
EXPANDO



OR



OR



Two M brackets required per drawer	Part no.
EXPANDO	ZF7M70E2
Screw-on*	ZF7M7002
Two M brackets required per drawer	Part no.
Two K brackets required per drawer	Part no.
EXPANDO	ZF7M70E2
Screw-on*	ZF7M7002
EXPANDO	ZF7K70E2
Screw-on*	ZF7K7002
Two M brackets required per drawer	Part no.
Two C brackets required per drawer	Part no.
EXPANDO	ZF7M70E2
Screw-on*	ZF7M7002
EXPANDO	ZF7C70E2
Screw-on*	ZF7C7002

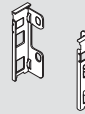
*Use of #6 x 5/8" wood screw recommended

Rear fixing bracket set options

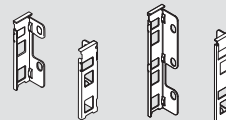
5

Set includes:

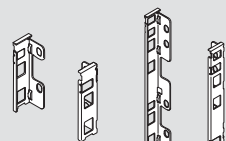
- Left and right bracket
- Two pairs required per drawer
- Orion gray (OG-M)



OR

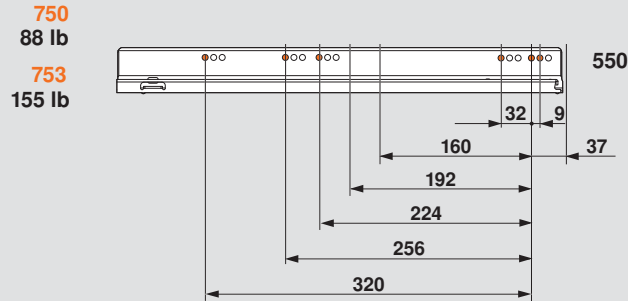


OR



Two M brackets required per drawer	Part no.
Rear fixing bracket set	ZB7M000S
Installation screw	612TH
One M bracket required per drawer	Part no.
One K bracket required per drawer	Part no.
Rear fixing bracket set	ZB7M000S
Rear fixing bracket set	ZB7K000S
Installation screw	612TH
One M bracket required per drawer	Part no.
One C bracket required per drawer	Part no.
Rear fixing bracket set	ZB7M000S
Rear fixing bracket set	ZB7C000S
Installation screw	612TH

Cabinet profile installation

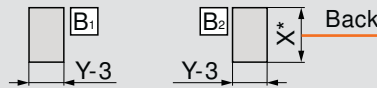


NOTE: The orange dots indicate fixing screw locations required to meet specified load ratings

Cutting dimensions for bottom and back

Drawer bottom

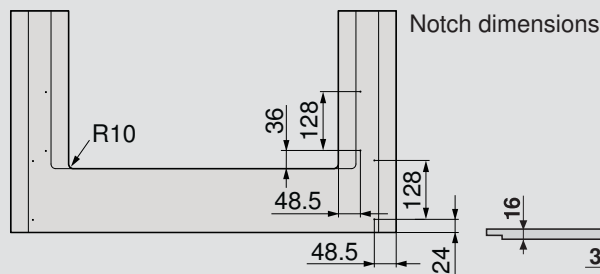
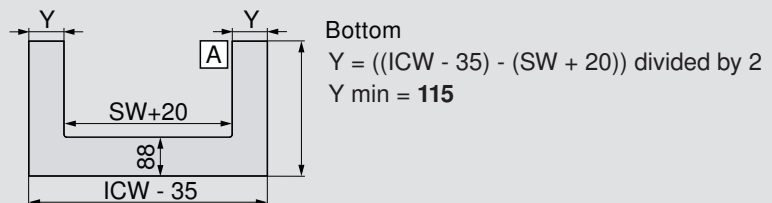
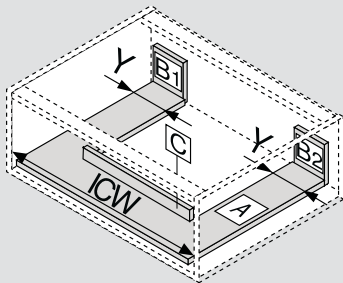
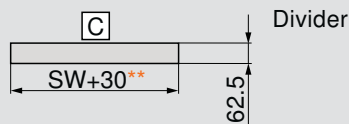
Width = Inside cabinet width minus 35 (1-3/8")
 Length = Actual cabinet profile length minus 10 (13/32")



X*	
M Height	63
K Height	101
C Height	148

Drawer back

Width = Inside cabinet width minus 38 (1-1/2")
 Height = 63 (2-15/32")

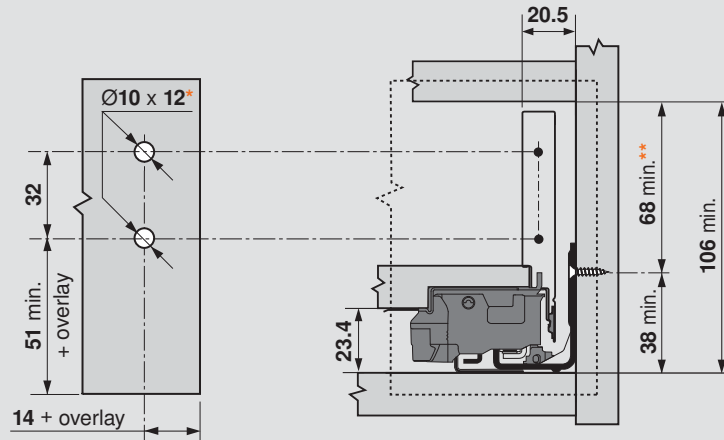


**minus 3 for ZF7M7002
 AL = Actual cabinet profile length
 ICW = Inside cabinet width
 SW = Sink width

NOTE: Use 16 (5/8") material for bottom, back and divider

Front fixing bracket installation

M Height



NOTE: For full drawer assembly see page 9

*Pre-boring dimensions for EXPANDO only, for screw-on pre-bore $\varnothing 2 \times 2.5$

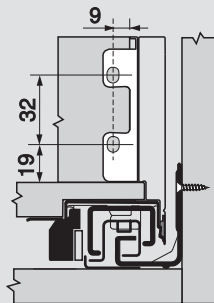
**Includes 2 tilt adjustment

Additional front fixing bracket installation

K Height	page 23
C Height	page 27

Rear fixing bracket installation

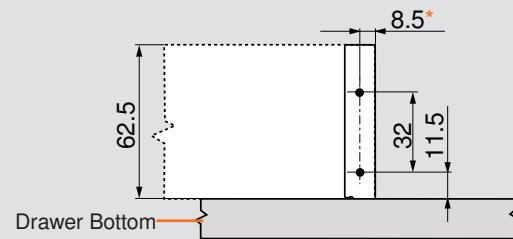
M Height



Additional rear fixing bracket installation

K Height	page 20
C Height	page 24

Inside divider installation



NOTE: Use 16 (5/8") material for bottom, back and divider

*minus 1.5 when using ZF7M7002



Precise front gap adjustment

The front gap template can be used to precisely and conveniently adjust the front gap to 2.5 mm.



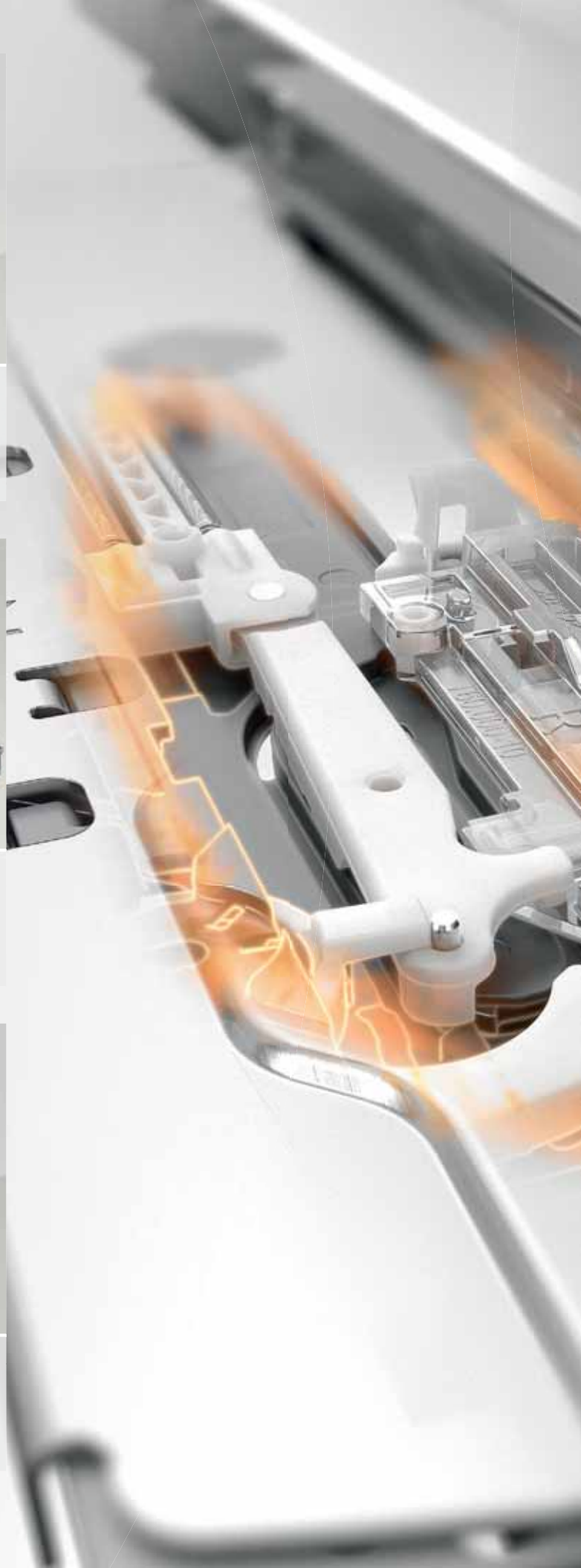
Simple, tool-free assembly

The TIP-ON BLUMOTION unit can be assembled tool-free, once aligned, the mechanism snaps in place.



Cabinet Profile Installation

The LEGRABOX S cabinet profile uses standard LEGRABOX installation specifications.



TIP-ON BLUMOTION for LEGRABOX

TIP-ON BLUMOTION combines the best of both worlds – a mechanical, non-electric, opening support system. This allows you to touch the drawer front to open the drawer – and a soft close.

TIP-ON BLUMOTION for LEGRABOX provides flexibility by offering the TIP-ON unit in four different strengths. Find your drawer runner length and select the appropriate unit and trigger. A synchronization rod is recommended for all cabinet widths for optimal function.



TIP-ON BLUMOTION for LEGRABOX Cabinet Profile



TIP-ON BLUMOTION Units and Triggers



S1 – Light gray (270 mm)



L1 – Light gray (350 mm — 550 mm)



L3 – Dust gray (350 mm — 550 mm)



L5 – Black (450 mm — 650 mm)

Optimal Opening and Closing Function

Can be used for actual cabinet profile length in mm	Unit	Total weight of drawer, when loaded						
		<22 lb	44 lb	66 lb	88 lb	110 lb	132 lb	155 lb
270	S1	0 - 44 lb						
350 — 550	L1	0 - 44 lb						
350 — 550	L3			44 - 88 lb				
450 — 650	L5					88 - 155 lb		

LEGRABOX



TIP-ON BLUMOTION

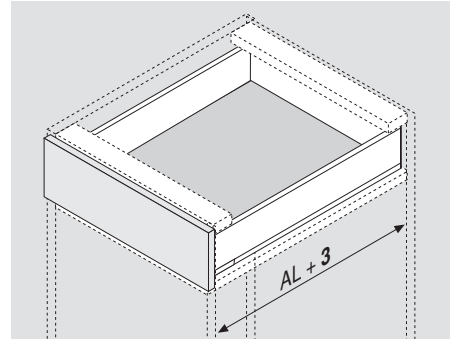
Application



Features

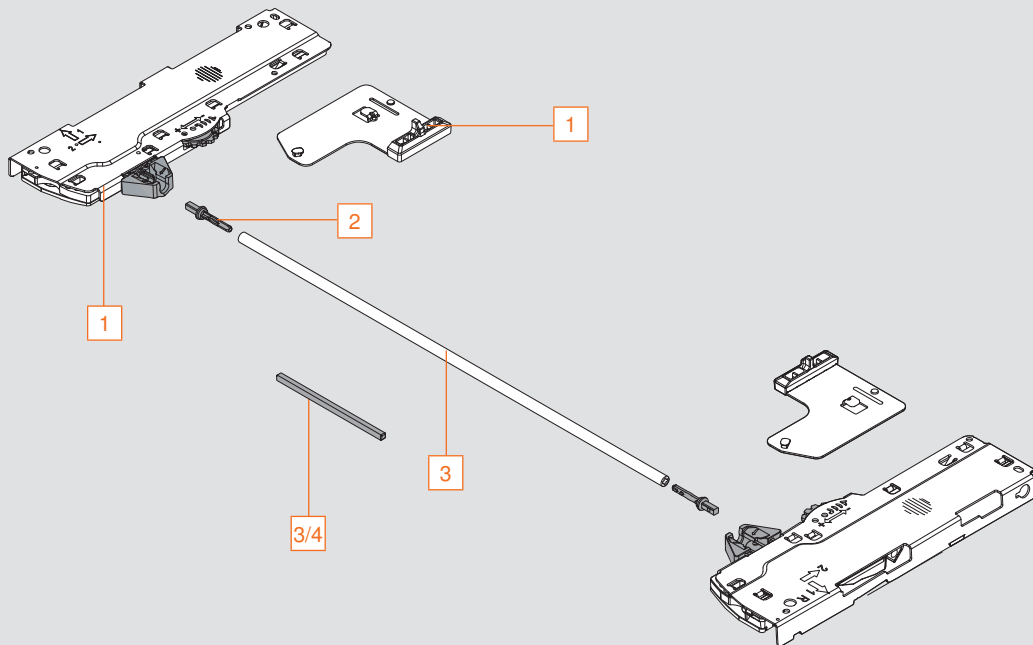
- Enables LEGRABOX drawers to be opened with just a light touch of the drawer front
- Fully mechanical motion
- Smooth running action

Space Requirements



AL = Actual cabinet profile length

Components



NOTE: Parts identified on right page



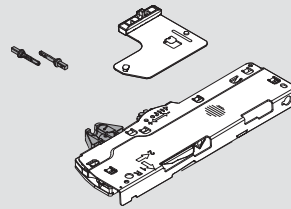
Choose cabinet and drawer profile before selecting TIP-ON BLUMOTION unit and trigger, see pages 12-43.

TIP-ON BLUMOTION for LEGRABOX

Sets include:

- Left and right TIP-ON units and triggers
- Two synchronization adapters

1 TIP-ON BLUMOTION unit and trigger



Nominal length	Actual cabinet profile length	S1	L1	L3	L5
11"	270 (10-5/8")	T60L7140			
14"	350 (13-3/4")		T60L7340	T60L7540	
16"	400 (15-3/4")		T60L7340	T60L7540	
18"	450 (17-11/16")		T60L7340	T60L7540	T60L7570
20"	500 (19-11/16")		T60L7340	T60L7540	T60L7570
22"	550 (21-5/8")		T60L7340	T60L7540	T60L7570
24"	600 (23-5/8")				T60L7570
26"	650 (25-9/16")				T60L7570

TIP-ON BLUMOTION synchronization

2

- To be used with the T60L118W synchronization rod
- Two adapters are provided with TIP-ON BLUMOTION unit and trigger

Part no. **T60.000D**

Synchronization adapters

3

- Inside cabinet width:
Minimum = **294** (11-9/16")
Maximum = **1365** (53-3/4")
- Length **1118** (44-1/32", cut to size)

Part no. **T60L118W**

Synchronization rod

TIP-ON BLUMOTION synchronization for narrow applications

3/4

- Inside cabinet width:
Minimum = **261** (10-9/32")
Maximum = **85** (11-7/32")
- Length **64** (2-1/2"), cut to size

Part no. **T60.300D.22**

Sync. rod

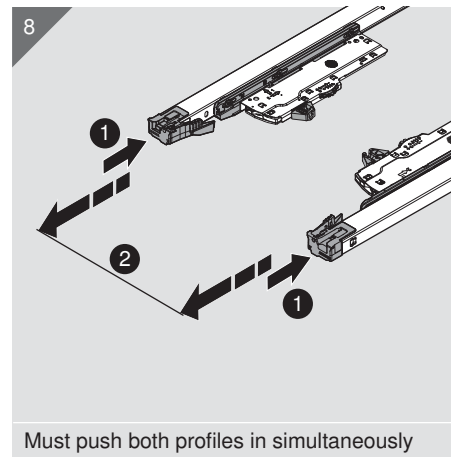
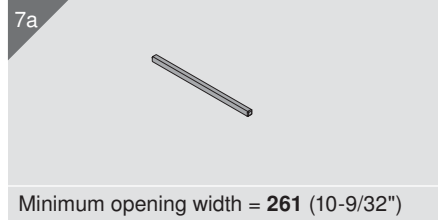
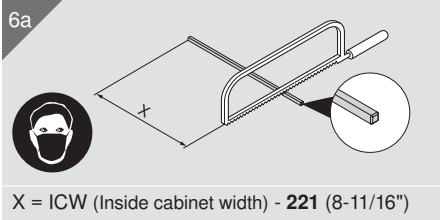
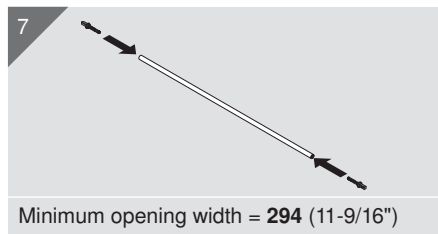
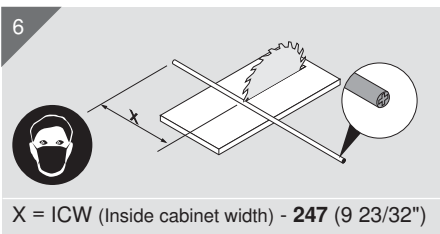
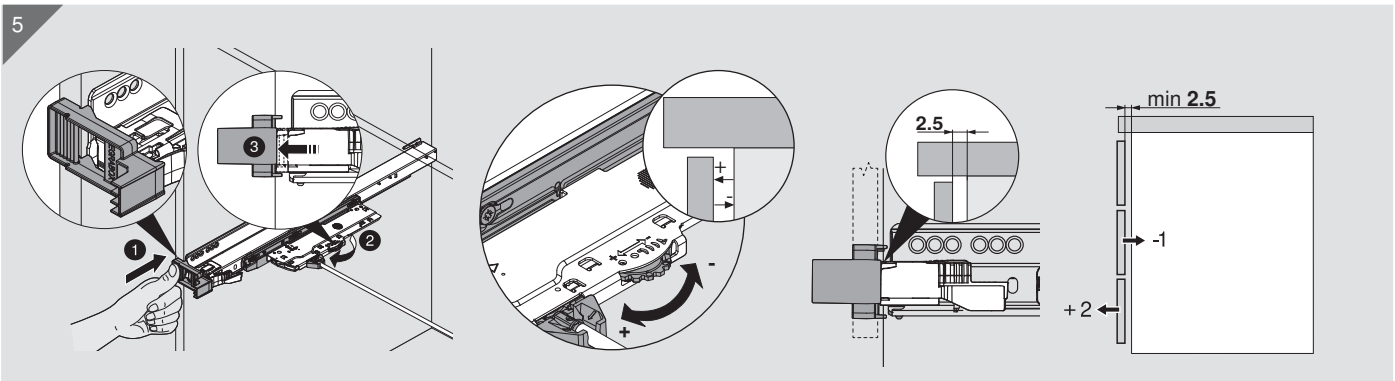
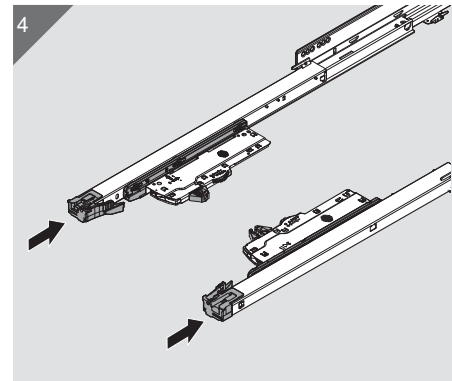
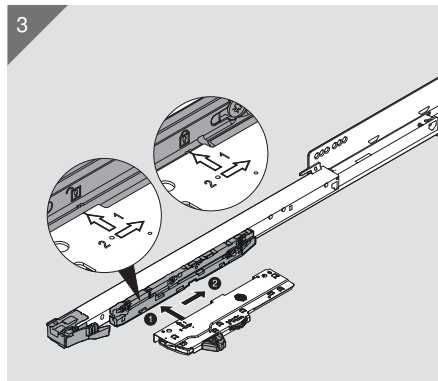
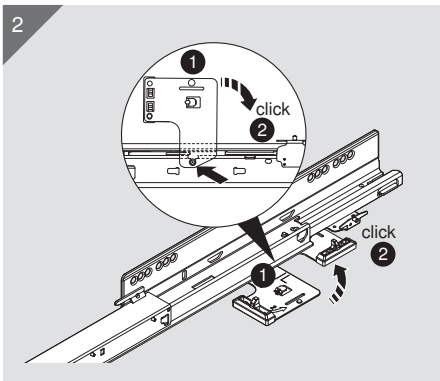
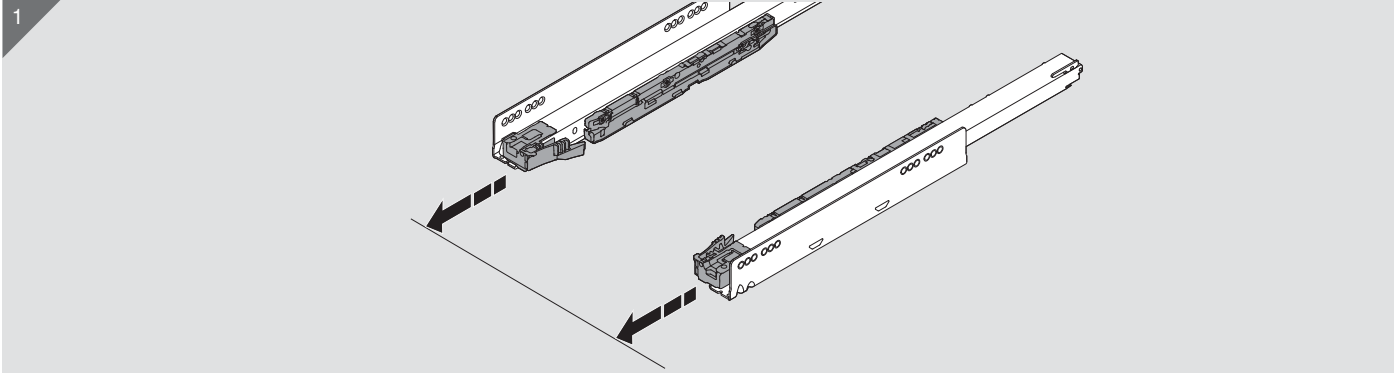
NOTE: A synchronization rod is recommended for all cabinet widths for optimal function

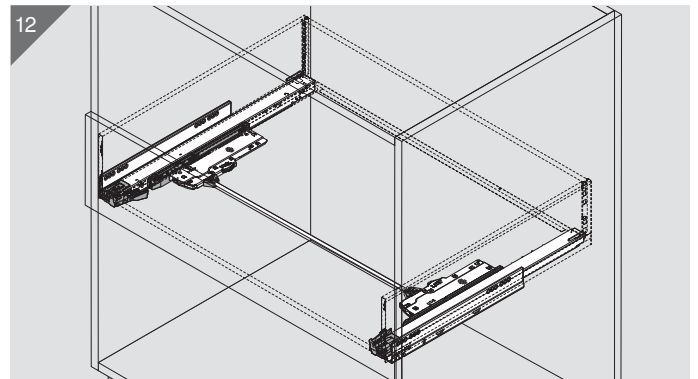
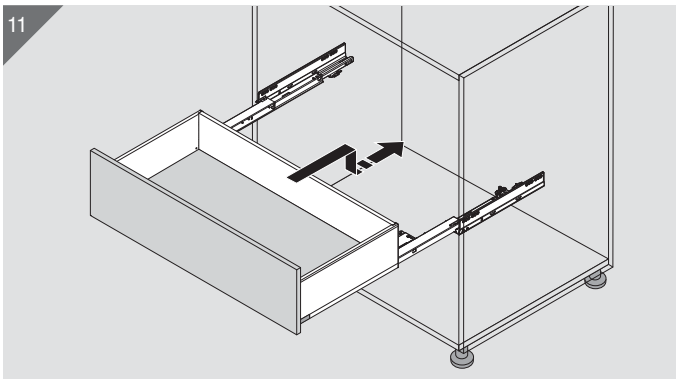
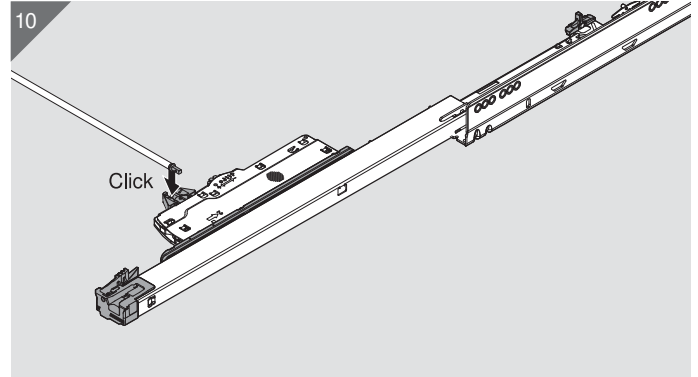
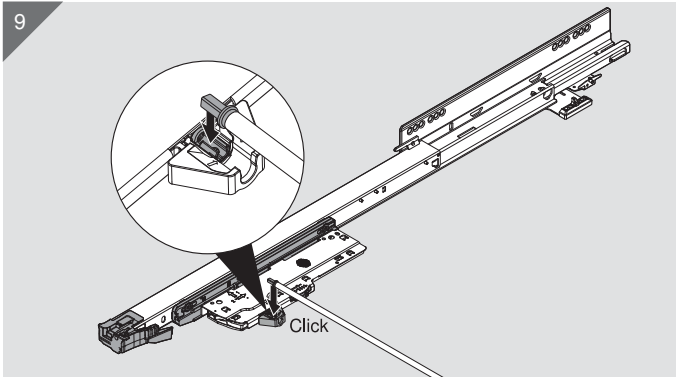
Do not use bumpers, as this can inhibit the function of TIP-ON BLUMOTION when the drawer front is pressed.

TIP-ON BLUMOTION front gap template

- For creating a **2.5** (3/32") front gap

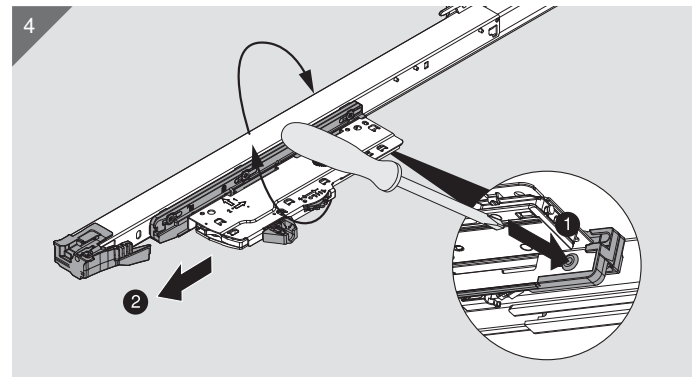
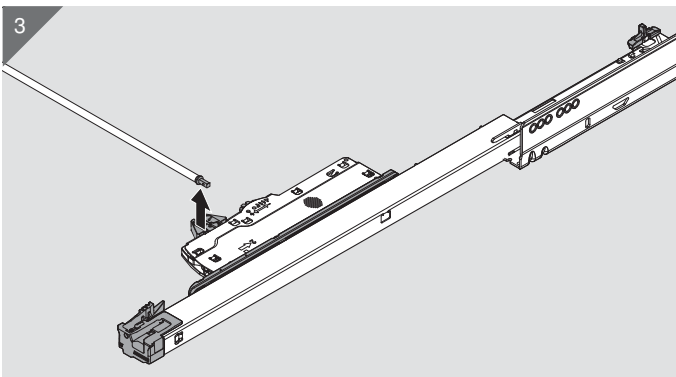
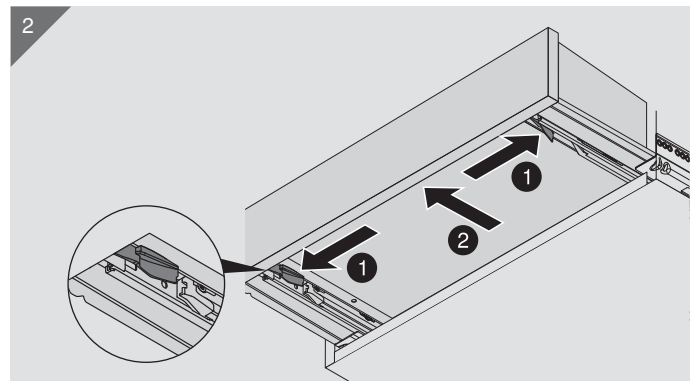
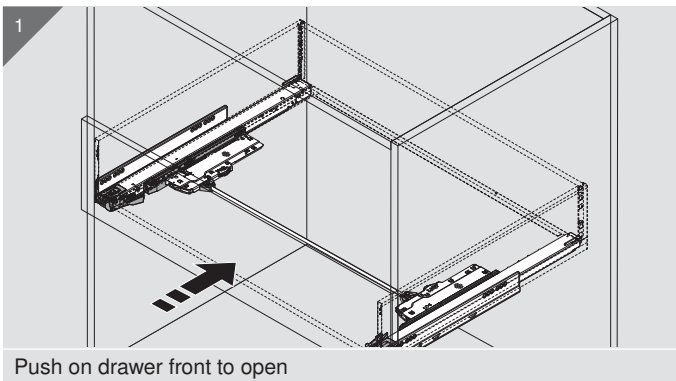
Part no. **65.5631.US**





Additional installation instructions available on [youtube.com/bluminc](https://www.youtube.com/bluminc)

Removal



Cabinet profile template

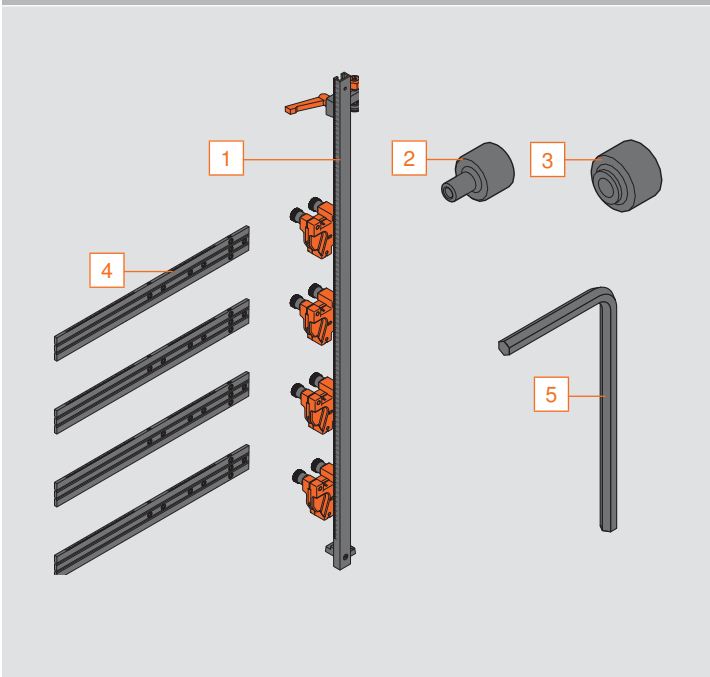


- Used for pre-boring holes for LEGRABOX, TANDEMBOX, and TANDEM drawer runners
- Can also be used to pre-bore AVENTOS locating pins and pre-boring for hinge mounting plates

Part no.

Cabinet profile template	65.1000.01
Replacement template	65.1001.01
Ø2.5 drill bit	DB-2.5mm

Components



Cabinet profile template includes:

- Rail, 1 meter long (qty 1)
- Ø2.5 stop collar (qty 1)
- Ø5 stop collar (qty 1)
- Replacement template (qty 4)
- Allen wrench (qty 1)

Universal individual template



- Used for pre-boring holes for LEGRABOX, TANDEMBOX, and TANDEM drawer runners
- Can also be used to pre-bore for AVENTOS locating pins and pre-boring for hinge mounting plates
- Calibrated scales for accurate setting

Set includes:

- Universal individual template
- Ø2.5 and Ø5 stop collars

Part no.

Universal individual template

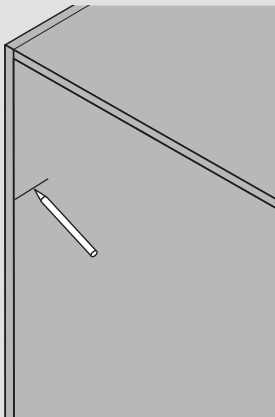
65.1051.02

Ø2.5 drill bit

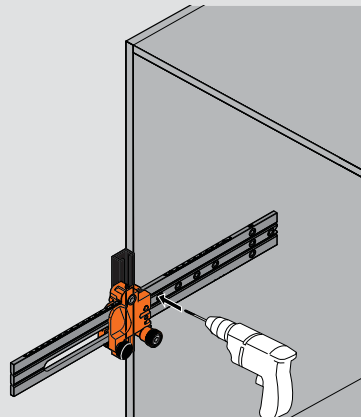
DB-2.5mm

Pre-boring for cabinet profile mounting holes

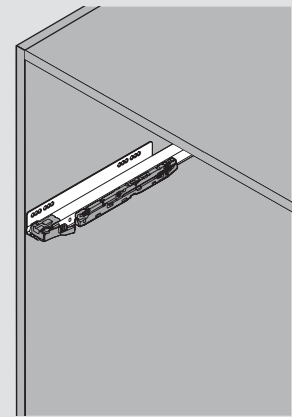
1 Mark position



2 Line up template with mark and pre-bore required holes



3 Attach runner



LEGRABOX starter kit



Set includes:

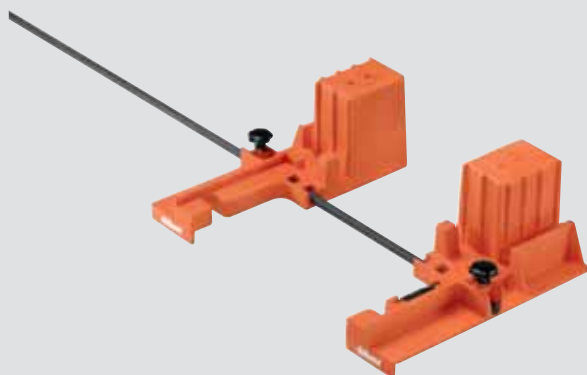
- BOXFIX E-L
 - LEGRABOX boring template
 - TORX 20 screw driver
 - VIX bit
- For all LEGRABOX heights and lengths
 - For cabinet widths **250** to **1200** (9-13/16" to 47-1/4")
 - For cabinet back heights up to **250** (9-13/16")

Part no.

LEGRABOX starter kit

ZMM.0700.20

BOXFIX E-L



Using BOXFIX E-L you can manually assemble LEGRABOX easier than ever. Its easy setup and comfortable work height all contribute to a more efficient assembly of LEGRABOX drawers.

- For all LEGRABOX heights and lengths
- For cabinet widths **250** to **1200** (9-13/16" to 47-1/4")
- For cabinet back heights up to **250** (9-13/16")

Part no.

BOXFIX E-L

ZMM.0700

BOXFIX P



Using the new BOXFIX P you can assemble LEGRABOX and TANDEMBOX faster than ever. Its easy setup, pneumatic clamps, and comfortable work height all contribute to faster, more efficient assembly of LEGRABOX and TANDEMBOX drawers.

- For all LEGRABOX and TANDEMBOX heights and lengths
- One adjustable stop for drawer width included (additional stops available)
- For cabinet widths **275** to **1200** (10-13/16" to 47-1/4")
- For back heights up to **350** (13-3/4")

Part no.

BOXFIX P

ZMM.2750.01

LEGRABOX boring template



- For exact pre-boring of drawer bottom and back
- Pre-bore dimension $\text{Ø}2.5 \times 2$
- $\text{Ø}2.5$ stop collar
- 2.5 allen wrench

Part no.

LEGRABOX boring template

ZML.7000

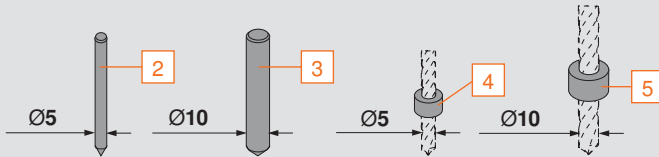
Universal boring template



Set includes:

- 1 Template
- 2 $\text{Ø}5$ marking pin
- 3 $\text{Ø}10$ marking pin
- 4 $\text{Ø}5$ stop collar
- 5 $\text{Ø}10$ stop collar

- Used for boring drawer fronts, located all fixing positions
- Used to pre-bore for drawer fronts, bottoms and backs for LEGRABOX, TANDEMBOX and METABOX drawer systems, also AVENTOS mounting plates



Part no.

Universal boring template

ZML.0040.01

$\text{Ø}5$ drill bit

DB-5mm

$\text{Ø}10$ drill bit

DB-10mm

Front marking template



- For precise marking of the front fixing bracket locations
- Accommodates the N, M, K, C and the F Height

Part no.

Front marking template

ZML.3710

MINIPRESS P – Deluxe boring and insertion machine



- Front adjustable boring distance with digital counter
- Pneumatic hold-down clamps
- Boring depth adjustment
- Ruler stops (qty 4)
- Tool kit included
- Dust collection attachment
- Optional laser center line set
- Accepts 8 or 9 spindle heads

Part no.

Single phase – 220V power

M53.1053*US

Three phase – 220V power

M53.1004*US

MINIPRESS M – 110V manual boring and insertion machine



- 110V power with molding plug (portable)
- Does not require pressurized air
- Ruler stops (qty 4)
- Tool kit included
- Dust collection attachment
- Accepts 8 or 9 spindle heads

Part no.

Single phase – 110V power

M52.1056*US

MINIDRILL P – Standard boring machine



- Front adjustable boring distance
- Ruler stops (qty 4)
- Tool kit included
- Dust collection attachment
- Optional laser center line, digital counter and hold down clamp sets
- Accepts 8 or 9 spindle heads

Part no.

Single phase – 220V power

M53.1053*50

8 spindle head



- 8 spindle head for use with MINIPRESS/MINIDRILL M53
- Bores eight holes spaced **32** apart, perpendicular to the fence
- Quick-disconnect chucks
- Once aligned, does not require additional adjustment
- Bores all METABOX/TANDEMBOX/LEGRABOX front fixing brackets and galleries
- Bores cabinet side panels for all Blum runner systems
- Requires retrofit set for use with machines produced in 2009 or prior

Includes:

- Ø3 allen wrench
- Distance spacer
- Drive pin
- Air hose

Part no.

8 spindle head	MZK.880S
Chuck cover cap	M30.1329

9 spindle head



- 9 spindle head for use with MINIPRESS/MINIDRILL M53
- Bores nine holes spaced **32** apart, parallel to the fence
- Quick-disconnect chucks
- Once aligned, does not require additional adjustment
- Bores cabinet side panel for **32** millimeter system boring for Blum mounting plates and runners
- Requires retrofit set for use with machines produced in 2009 or prior

Includes:

- Ø3 allen wrench
- Distance spacer
- Drive pin
- Air hose

Part no.

9 spindle head	MZK.190S
Chuck cover cap	M30.1329

LEGRABOX bottom router



- For easy and precise notching of the drawer bottom
- Single phase - 220V power
- Dust collection required

Part no.

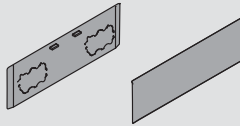
LEGRABOX bottom router	M35.7200.NA
------------------------	--------------------

LEGRABOX



Accessories

LEGRABOX outside cover caps



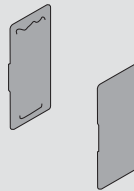
- For use with LEGRABOX drawers
- Non-handed, symmetrical design
- Colors: Orion gray (OG-M) and nickel (IN-G)
- Custom logo printing available

Part no.

Orion gray outside cover cap **ZA7.0700**

Nickel outside cover cap **ZA7.0709**

LEGRABOX inside cover caps



- For use with M, K, C and F height LEGRABOX applications
- Non-handed, symmetrical design
- Colors: Orion gray (OG-M) and nickel (IN-G)
- Covers adjustment area on the inside of the drawer profile

Part no.

Orion gray inside cover cap **ZA7.5700**

Nickel inside cover cap **ZA7.5709**

- For use with N height LEGRABOX application
- Non-handed, symmetrical design
- Colors: Orion gray (OG-M) and nickel (IN-G)
- Covers adjustment area on the inside of the drawer profile

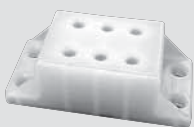
Part no.

Orion gray inside cover cap **ZA7.5710**

Nickel inside cover cap **ZA7.5719**

Side spacer

For spacing cabinet profiles for clearance on interior roll-out trays

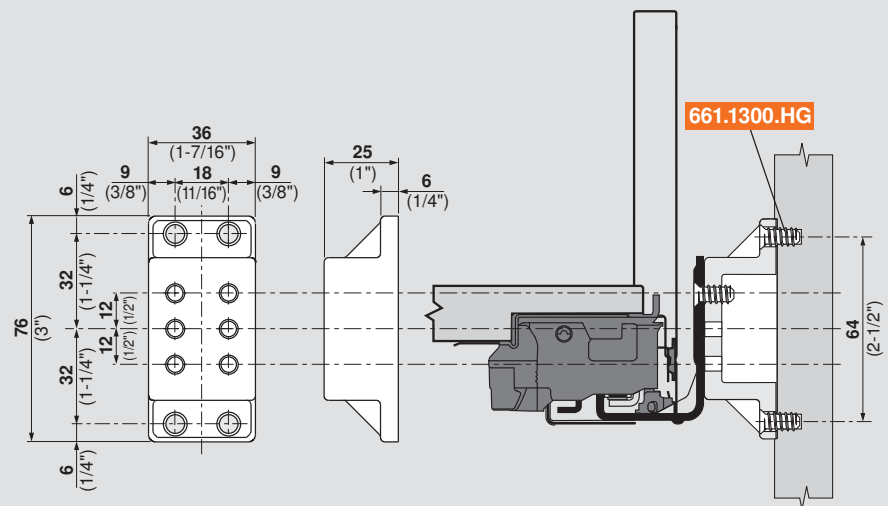


Part no.

Spacer **T59.3570**

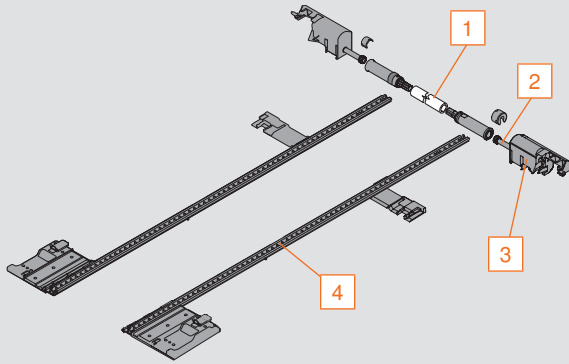
POZI installation screw **661.1300.HG**

Side spacer application



NOTE: Use two on 750 series and three on 753 series

Lateral stabilizer set



Set includes:

- 1 Linkage rod, 1071 (42-5/32")
- 2 Pinion gears (qty 2)
- 3 Rear brackets, left and right
- 4 Gear racks, left and right

- Recommended for cabinet widths from 900 - 1400 (35-7/16" - 55-1/8")
- Minimum space requirement (depth) AL +15 (AL = Actual cabinet profile length)

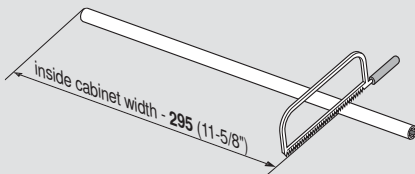
Runner length	Part no.
270 - 400 (11" - 16")	ZS7M400LU
450 - 650 (18" - 26")	ZS7M650LU

NOTE: Parts identified to the right of the image

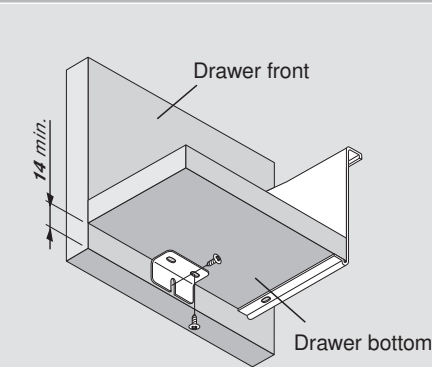
NOTE: Lateral stabilizer instructions on pages 68 and 69

Linkage rod specifications

- Length = Inside cabinet width minus 295 (11-5/8")
- Maximum inside cabinet width 1366 (53-8/4")



Drawer front support bracket



- Add-on bracket for wide drawers to keep the front tight to the drawer bottom
- Attach with 612TH screws #6 x 1/2" trusshead

	Part no.
Support bracket	ZSB.0090.01
Installation screw	612TH

Front stabilization bracket

- Used for stabilizing wide drawers and/or tall drawer fronts
- Reinforces the connection between the drawer bottom and the front
- One required per drawer, center on drawer bottom

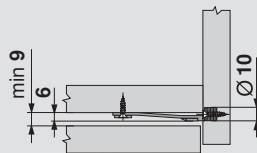


Part no.

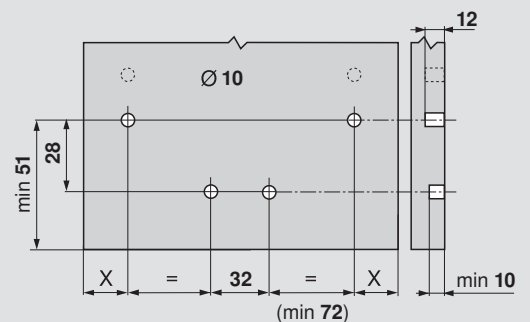
Front stabilization bracket **Z96.10E1**

Front stabilization bracket application

Space requirements



Front boring dimensions



NOTE: X = 14 + overlay



Accessories

TORX DRIVER

- For LEGRABOX adjustments
- TORX size 20 (T20)
- Blade length **100**
- Total length **210**



Part no.

T20 TORX DRIVER **TORX DRIVER**

Short TORX DRIVER

- For LEGRABOX adjustments
- TORX size 20 (T20)
- Blade length **35**

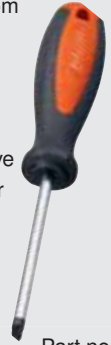
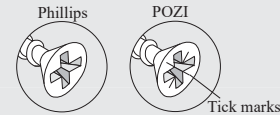


Part no.

T20 TORX DRIVER **SHORT TORX DRIVER**

POZI DRIVER

A POZI screwdriver (different from Phillips) is the most crucial tool you can use to assure that full torque is applied to all Blum mounting screws. POZI screws can be identified by the distinctive "tick" marks located in the center of the screwhead recess.



Part no.

#2 POZI DRIVER	POZI DRIVER
1/4" Magnetic bit holder	BIT HOLDER
#2 x 1" POZI bit insert	POZI BIT #2X1
#2 x 2" POZI bit insert	POZI BIT #2X2

Deep thread system screw



- Pilot bore $\varnothing 5$ (3/16") hole

Part no.

#7 x 13, #2 POZI	661.1300.HG
#7 x 14.5, #2 POZI	661.1450.HG

$\varnothing 10$ Drill bit



- $\varnothing 10$ (13/32") drill bit for the MINIPRESS/MINIDRILL and boring heads

Part no.

Drill bit (right hand)	M01.ZB10.02
Drill bit (left hand)	M01.ZB10.03

Deep thread wood screw



- Pilot bore $\varnothing 2.5$ (3/32") hole

Part no.

#6 x 5/8", #2 Phillips	606N
#6 x 5/8", #2 POZI	606P
#7 x 5/8", #2 Phillips	707N
#7 x 3/4", #2 Phillips	7074N

$\varnothing 5$ Drill bit



- $\varnothing 5$ (3/16") drill bit for the MINIPRESS/MINIDRILL and boring heads

Part no.

Drill bit (right hand)	M01.ZB05.D2
Drill bit (left hand)	M01.ZB05.D3

Truss head wood screw



- Pilot bore $\varnothing 2.5$ (3/32") hole

Part no.

#6 x 1/2", #2 Phillips	612TH
------------------------	--------------

VIX bit



- For pre-drilling a $\varnothing 3$ (1/8") pilot hole

Part no.

$\varnothing 3$ piloting bit	VPB-5
------------------------------	--------------



blum

LEGRABOX



AMBIA-LINE



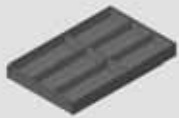
Blum's Ideas for Functional Kitchens

With its reduced dimensions, AMBIA-LINE is particularly suited for LEGRABOX, the elegant box system, with straight and narrow drawer sides. Stylish and practical, AMBIA-LINE drawer organization system in Orion gray provides a clean, harmonious look and function to the interior of your drawer.

To calculate inside drawer width available:
LEGRABOX – Inside cabinet width - 41 (1-5/8")

blum.com/ideas

Flatware insert



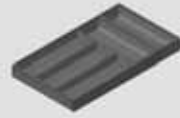
- Width 300 (12")
- Height 50 (2")
- Coated with a soft touch, noise-dampening material

Part no.

500 (20")

ZC7S500BS3

Flatware insert



- Width 300 (12")
- Height 50 (2")
- Coated with a soft touch, noise-dampening material

Part no.

550 (22")

ZC7S550BS3

Narrow utensil insert



- Width 100 (4")
- Height 51 (2")

Part no.

500 (20")

ZC7S500RS1

550 (22")

ZC7S550RS1

Wide utensil insert



- Width 200 (8")
- Height 51 (2")

Part no.

500 (20")

ZC7S500RS2

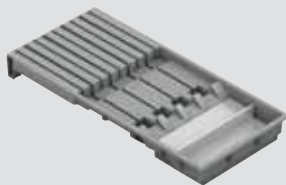
550 (22")

ZC7S550RS2

Accessories

AMBIA-LINE Knife holder

- Length 409 (16-1/8")
- Width 187 (7-3/8")
- Height 43 (1-11/16")
- Holds 9 knives
- High quality nylon and stainless steel
- Use with wide utensil insert



Part no.

Knife holder

ZC7M0200

AMBIA-LINE Spice tray

- Length 356 (14")
- Width 200 (7-7/8")
- Height 84 (3-5/16")
- Non-slip bottom
- High quality nylon and stainless steel
- Use with deep drawer insert



Part no.

Spice tray

ZC7G0P0I

Plate holder

- Adjustable width 186 to 322 (7-5/16" to 12-11/16")
- Overall height 170 (6-11/16")
- Holds up to 12 plates
- Non-slip bottom
- High quality nylon and stainless steel

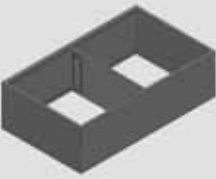



Part no.

Plate holder

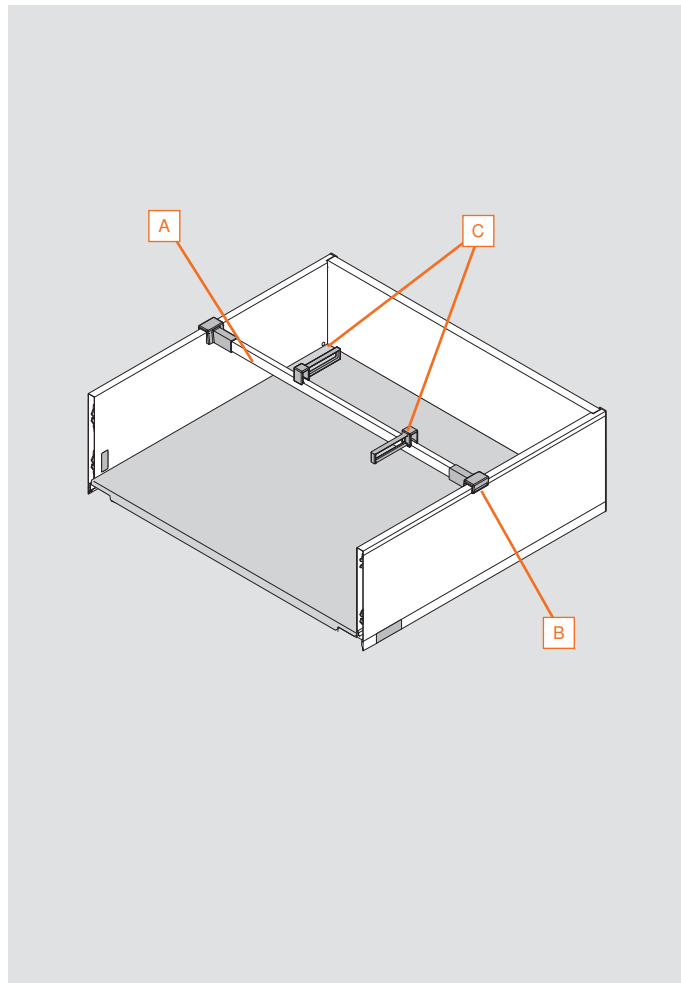
ZC7T0350

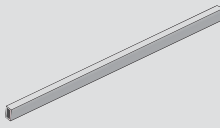
Deep Drawer Insert

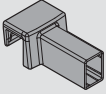
Deep drawer insert	
	<ul style="list-style-type: none"> Length 370 (14-9/16") Width 218 (8-9/16") Height 111 (4-3/8") Includes adjustable cross divider (qty 1) Steel frame For C and F height drawers Magnetic back Non-slip rubber feet Order steel adapter plate (ZC7A0P0C) separately
	Part no.
Deep drawer insert	ZC7F400RSP

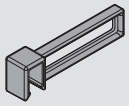
Adapter plate	
	<ul style="list-style-type: none"> Length 218 (8-9/16") Height 148 (5-13/16") To be used with deep drawer insert (ZC7F000RSP)
	Part no.
Adapter plate	ZC7A0P0C

Deep Drawer Gallery Rail

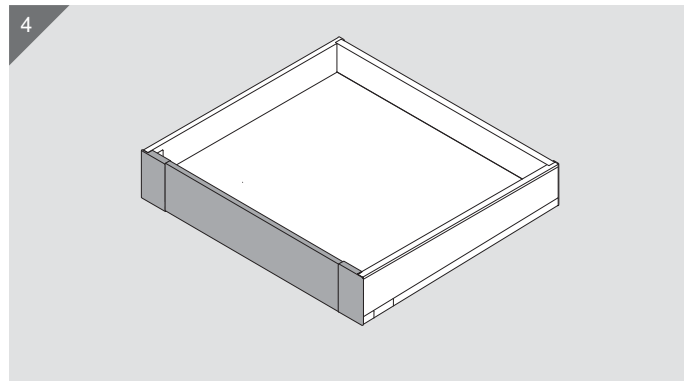
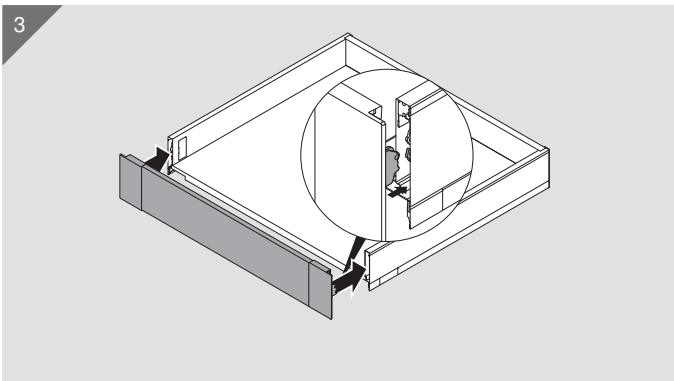
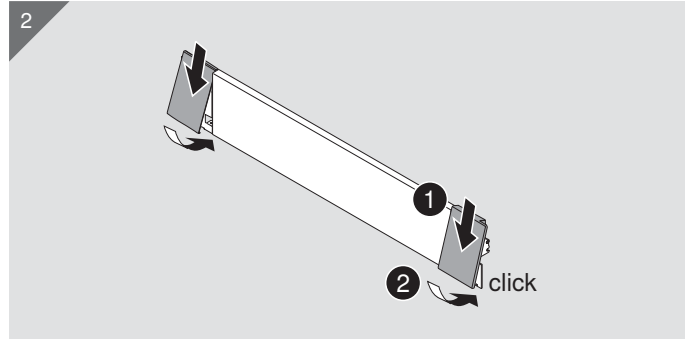
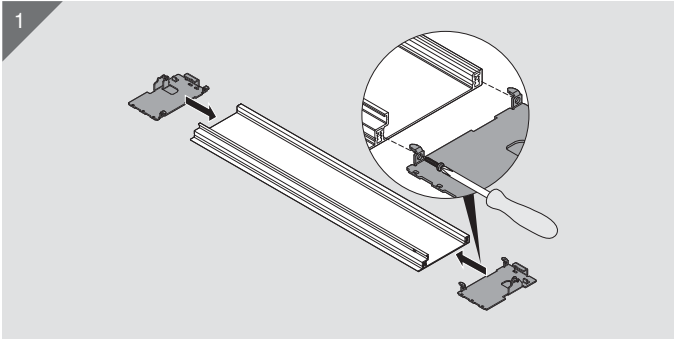


A Cross gallery rail	
	<ul style="list-style-type: none"> Length 1080 (42-1/2") Cut cross rail to size <p>Inside cabinet width minus 90 (3-17/32")</p> <p>NOTE: Choose Orion gray (OG-M) or brushed nickel (ELN2) on order form</p>
	Part no.
Cross gallery rail	ZR7:1080U

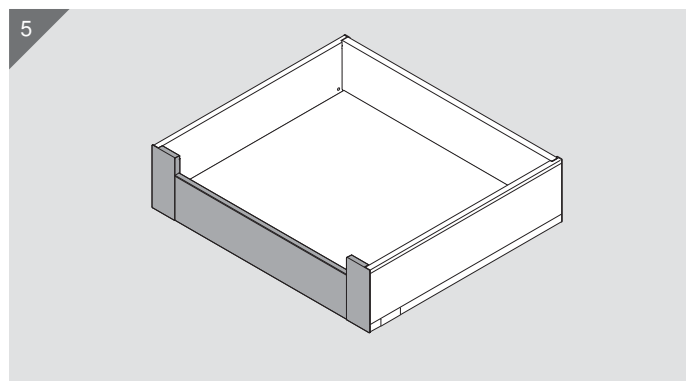
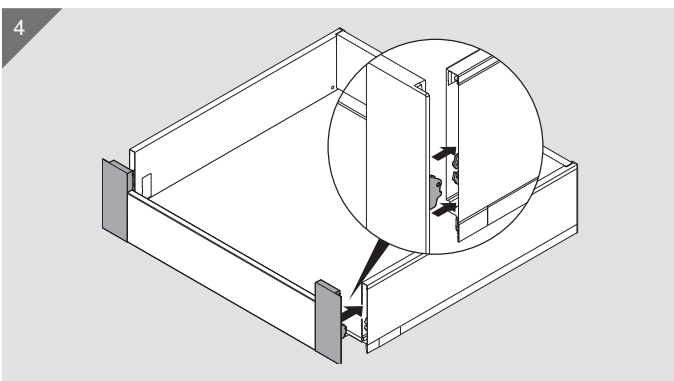
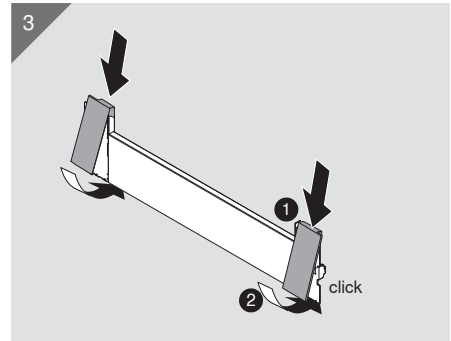
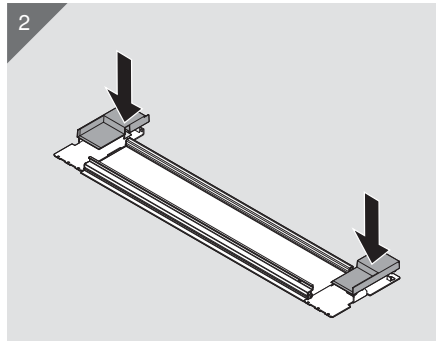
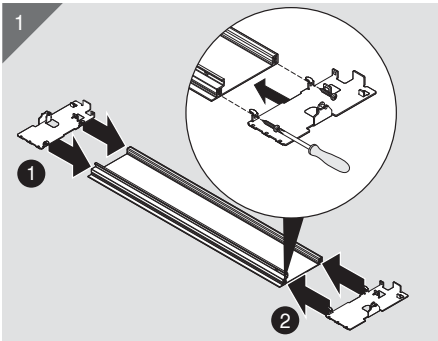
B Connector	
	<ul style="list-style-type: none"> 2 required per cross rail set-up (order each separately) Dust gray
	Part no.
Connector	ZC7U10E0

C Lateral divider	
	<ul style="list-style-type: none"> Dust gray
	Part no.
Lateral divider	ZC7U10F0

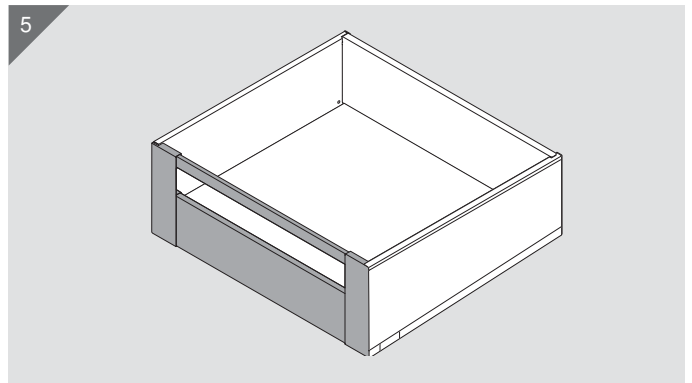
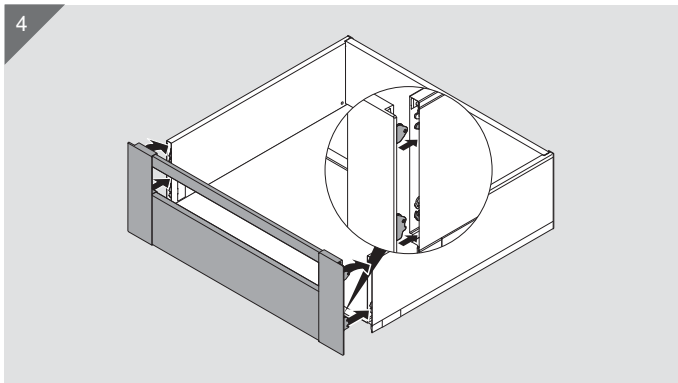
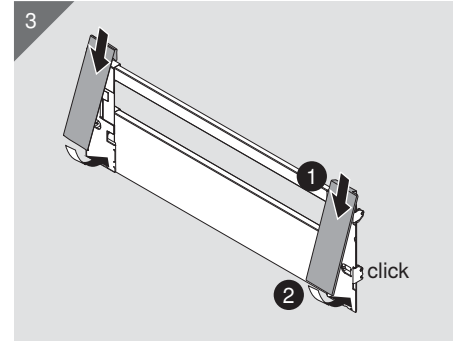
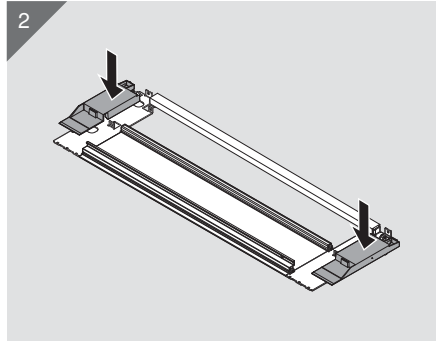
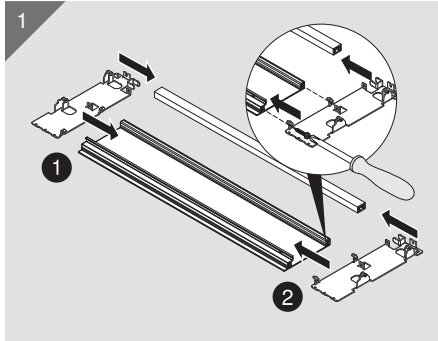
M Height Interior Front Assembly



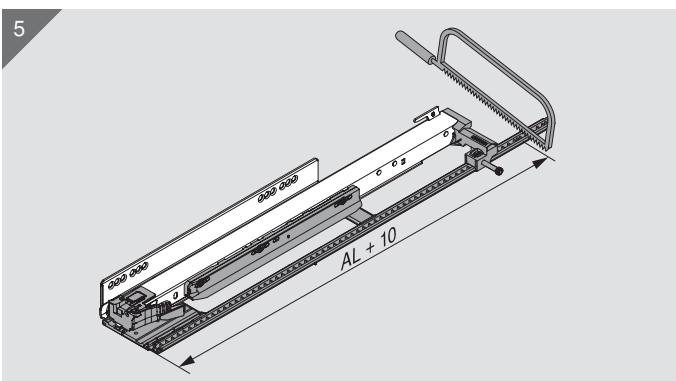
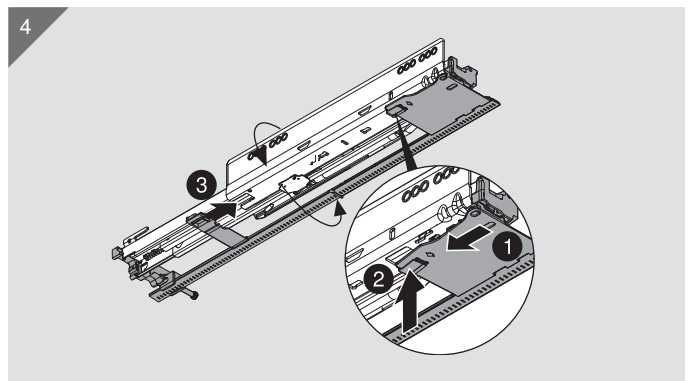
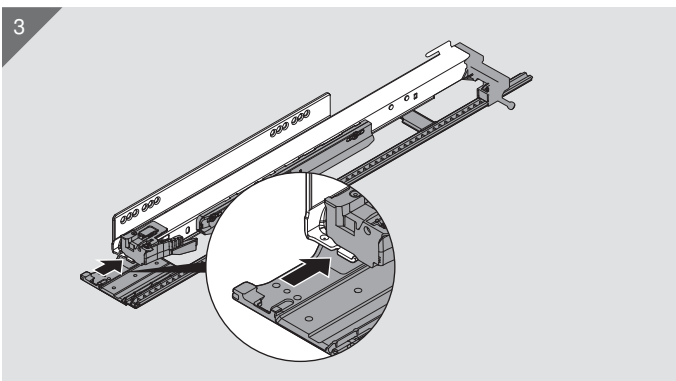
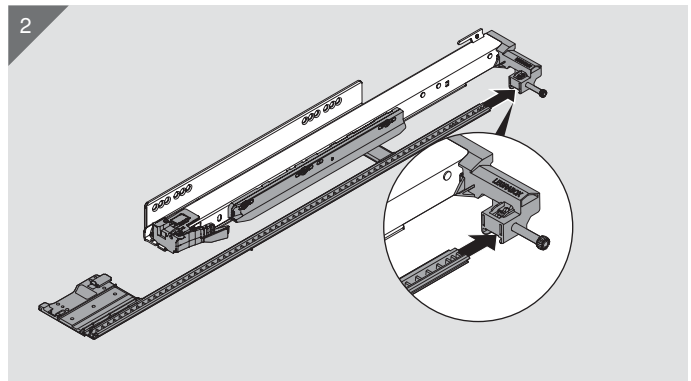
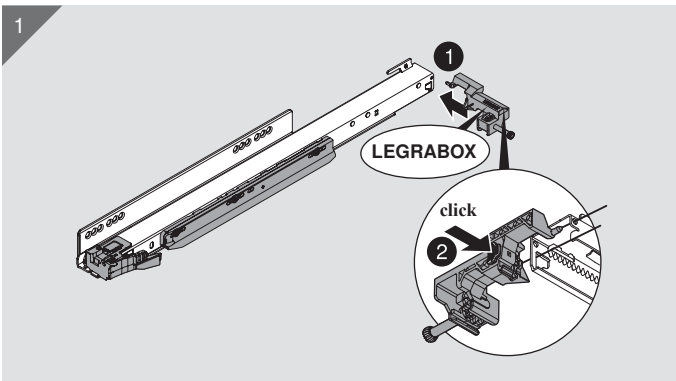
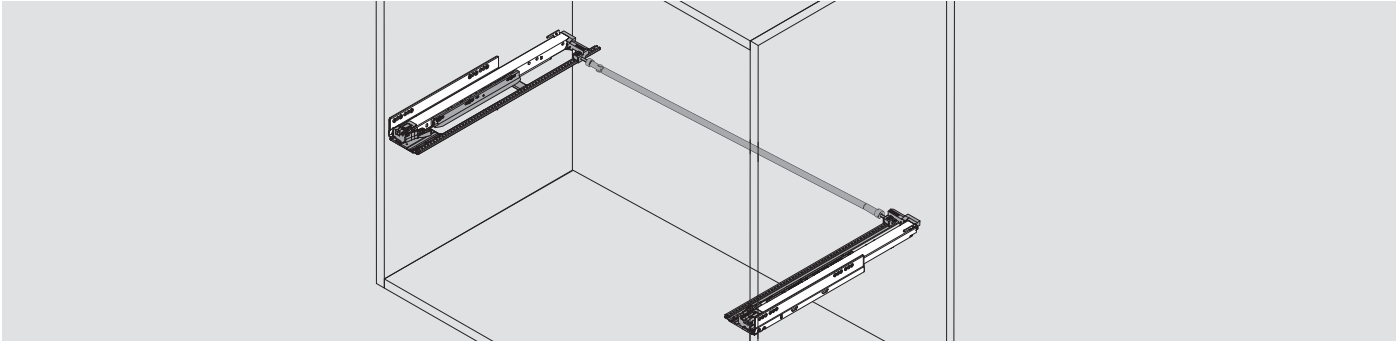
K Height Interior Front Assembly



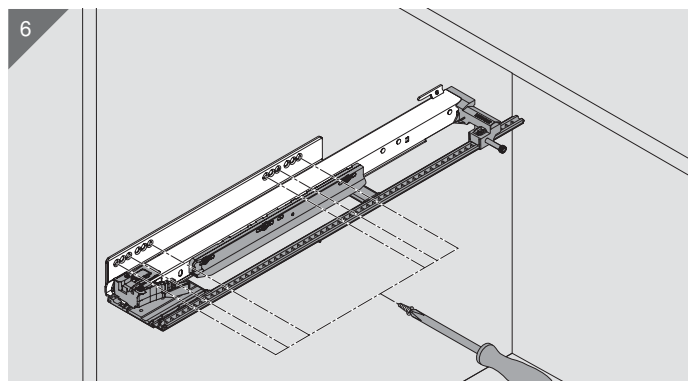
C Height Interior Front Assembly



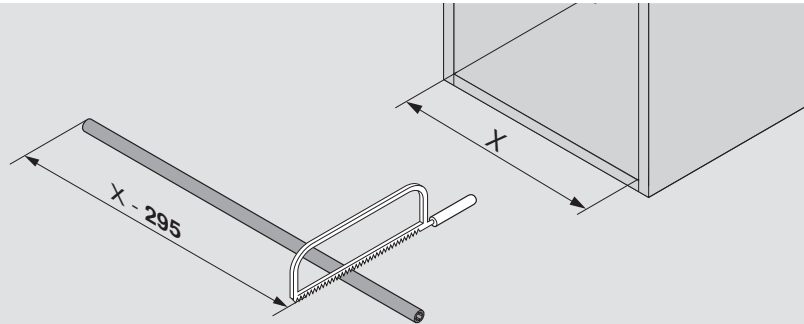
Lateral Stabilizer Assembly



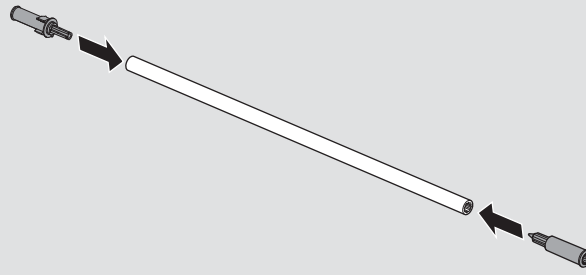
AL = Actual cabinet profile length



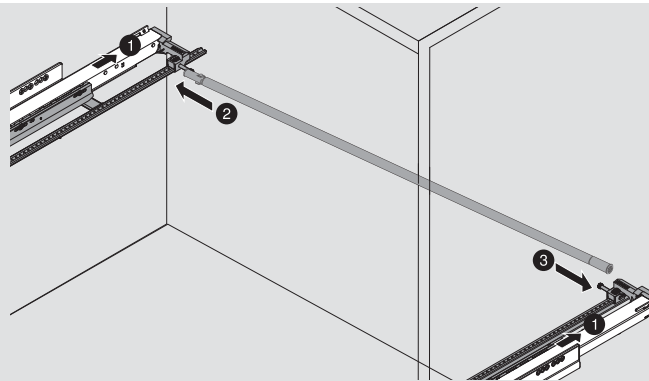
7



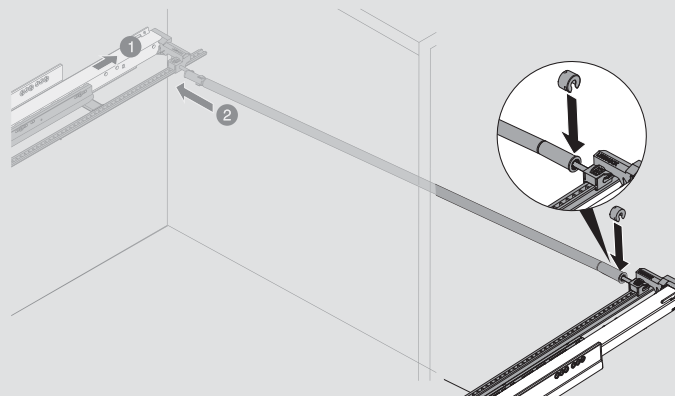
8



9

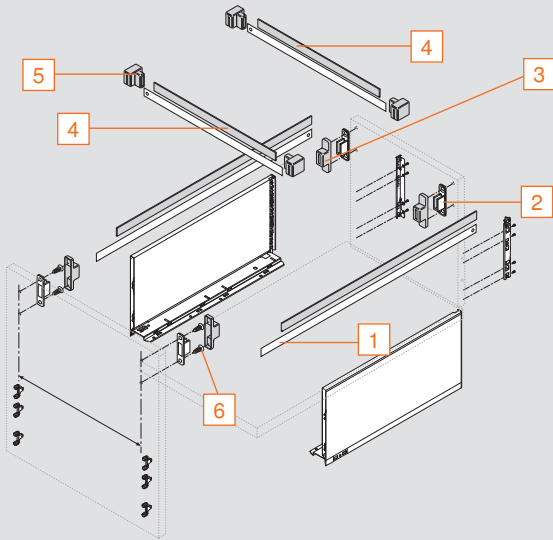


10



METAFILE set

Set makes one standard hanging file. Recommended use in combination with F & C Height drawer.



Set includes:

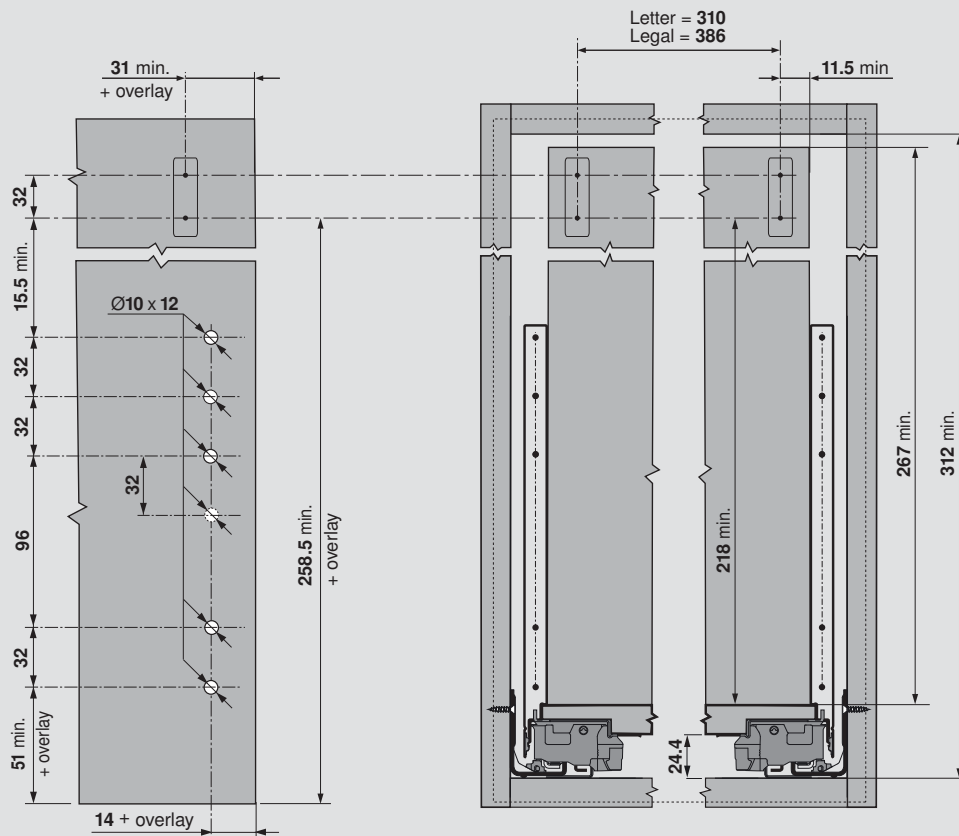
- 1 Steel hanging rails (qty 4) – 3 x 13 x 550 (1/8" x 1/2" x 21-5/8")
- 2 Rail support brackets (qty 4)
- 3 Rail support covers (qty 4)
- 4 Glide profiles (qty 4) – length 550 (21-5/8")
- 5 Lateral brackets (qty 4)
- 6 Flathead wood screws (qty 8) – #6 x 19 (3/4")

NOTE: Choose Dust gray (R737) for use with LEGRABOX

Part no.

METAFILE set	ZRM.5500
Replacement parts	
Glide profiles	ZRM.550G
Installation wood screw	6064N

METAFILE installation dimensions



Part No.	Page No.	Part No.	Page No.
606N	62	770F4002I	29
6064N	70	770F4002S	29
606P	62	770F4502I	29
612TH	62	770F4502S	29
65.1000.01	54	770F5002I	29
65.1001.01	54	770F5002S	29
65.1051.02	55	770F5502I	29
65.5631.US	51	770F5502S	29
661.1300.HG	62	770F6502I	29
661.1450.HG	62	770F6502S	29
7074N	62	770K3502I	21, 37
707N	62	770K3502S	21, 37
750.2701S	17, 25, 33, 41, 51	770K4002I	21, 37
750.3501S	17, 21, 25, 33, 37, 41, 51	770K4002S	21, 37
750.4001S	17, 21, 25, 29, 33, 37, 41, 51	770K4502I	21, 37
750.4501S	13, 17, 21, 25, 29, 33, 37, 41, 51	770K4502S	21, 37
750.5001S	13, 17, 21, 25, 29, 33, 37, 41, 51	770K5002I	21, 37
750.5501S	13, 17, 21, 25, 29, 33, 37, 41, 45, 51	770K5002S	21, 37
753.4501S	17, 21, 25, 29, 33, 37, 41, 51	770K5502I	21, 37, 45
753.5001S	17, 21, 25, 29, 33, 37, 41, 51	770K5502S	21, 37, 45
753.5501S	17, 21, 25, 29, 33, 37, 41, 45, 51	770M2702I	17, 33
753.6001S	17, 25, 33, 41, 51	770M2702S	17, 33
753.6501S	17, 25, 29, 33, 41, 51	770M3502I	17, 33
770C2702I	25, 41	770M3502S	17, 33
770C2702S	25, 41	770M4002I	17, 33
770C3502I	25, 41	770M4002S	17, 33
770C3502S	25, 41	770M4502I	17, 33, 45
770C4002I	25, 41	770M4502S	17, 33, 45
770C4002S	25, 41	770M5002I	17, 33
770C4502I	25, 41	770M5002S	17, 33
770C4502S	25, 41	770M5502I	17, 33, 45
770C5002I	25, 41	770M5502S	17, 33, 45
770C5002S	25, 41	770M6002I	17, 33
770C5502I	25, 41, 45	770M6002S	17, 33
770C5502S	25, 41, 45	770M6502I	17, 33
770C6002I	25, 41	770M6502S	17, 33
770C6002S	25, 41	770N4502I	13
770C6502I	25, 41	770N4502S	13
770C6502S	25, 41	770N5002I	13
		770N5002S	13
		770N5502I	13
		770N5502S	13
		BIT HOLDER	62
		DB-10mm	57
		DB-2.5mm	54, 55
		DB-5mm	57
		M01.ZB05.D2	62

Part No.	Page No.
M01.ZB05.D3	62
M01.ZB10.02	62
M01.ZB10.03	62
M30.1329	59
M35.7200.NA	57
M52.1056*US	58
M53.1004*US	58
M53.1053*50	58
M53.1053*US	58
MZK.190S	59
MZK.880S	59
POZI BIT #2X1	62
POZI BIT #2X2	62
POZI DRIVER	62
SHORT TORX DRIVER	62
T59.3570	60
T60.000D	51
T60.300D.22	51
T60L1118W	51
T60L7140	51
T60L7340	51
T60L7540	51
T60L7570	51
TORX DRIVER	62
VPB-5	62
Z96.10E1	61
ZA7.0700	60
ZA7.0709	60
ZA7.5700	60
ZA7.5709	60
ZA7.5710	60
ZA7.5719	60
ZB7C000S	25, 41, 45
ZB7F000S	29
ZB7K000S	21, 37, 45
ZB7M000S	17, 33, 45
ZB7N000S	13
ZC7A0P0C	65
ZC7F400RSP	65
ZC7G0P0I	64
ZC7M0200	64
ZC7S500BS3	64
ZC7S500RS1	64
ZC7S500RS2	64
ZC7S550BS3	64
ZC7S550RS1	64

Part No.	Page No.
ZC7S550RS2	64
ZC7T0350	64
ZC7U10E0	65
ZC7U10F0	65
ZF7C7002	25, 29, 45
ZF7C70E2	25, 29, 45
ZF7K7002	21, 45
ZF7K70E2	21, 45
ZF7M7002	17, 25, 29, 45
ZF7M70E2	17, 25, 29, 45
ZF7N7002	13
ZF7N70E2	13
ZI7.0KI0	37
ZI7.0KS0	37
ZI7.0MI0	33
ZI7.0MS0	33
ZI7.3CI0	41
ZI7.3CS0	41
ZML.0040.01	57
ZML.3710	55
ZML.7000	57
ZMM.0700	56
ZMM.0700.20	56
ZMM.2750.01	56
ZR7.1080U	41, 65
ZRM.5500	70
ZRM.550G	70
ZS7M400LU	61
ZS7M650LU	61
ZSB.0090.01	61
ZV7.1043C01	33, 37, 41



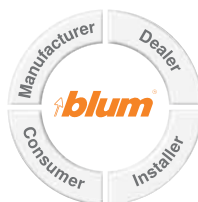
Why Choose Blum



Blum, Inc. is a leading manufacturer of functional hardware for the kitchen cabinet and commercial casework industries specializing in lift systems, concealed hinges and drawer runner systems. Virtually all of the hardware needed to assemble and make cabinets functional is available within the wide range of quality Blum products. Blum supports the U.S. market with a network of more than 150 dependable distributors, 50+ knowledgeable Blum sales representatives and an experienced customer service department.

Commitment to Manufacturing in the U.S.

Blum manufactures many of its products in our 450,000 sq ft manufacturing, logistics and warehouse facility located in Stanley, North Carolina. Manufacturing closer to the customer allows Blum to react quickly to changing customer needs including unexpected surges in demand. Customer pickups and deliveries can be timed to better match their production schedules. Blum is committed to manufacturing in the U.S. for the U.S. market.



Product development at Blum considers all of the various customers who will come in contact with our products. With this "Global Customer Benefits" philosophy we strive to create advantages for all users.



Blum, Inc. is ISO 9001 certified which means that you are assured of consistent quality in every Blum product. They exceed the requirements of ANSI/BHMA standards for cycle life, static load and self-closing performance.

Please visit blum.com for information on other Blum products
LIT-LBX1000.08.19 Ident. 26323570 © 2019 Blum, Inc.

Blum, Inc.
7733 Old Plank Rd.
Stanley, NC 28164
800-438-6788
blum.com

FSC Logo



ISO 9001
Certified Quality
System

 **blum**®