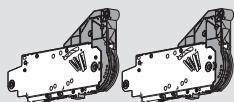


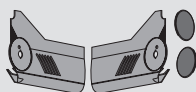
Lift mechanism set



- Lift mechanism (qty 2)
- #7 x 35 mm (1-3/8") wood screw (qty 10)

20L2100.N5
20L2300.N5
20L2500.N5
20L2700.N5
20L2900.N5

Cover set



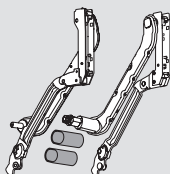
- Right and left cover plate
- Non-handed cover caps

Part no.

Cover set

20L8000.N1

Arm assembly set



- Right and left arm assembly
- Stabilizer rod cover cap (qty 2)

Cabinet height

Part no.

300 (11-13/16") — 349 (13-3/4")	20L3200.06
350 (13-13/16") — 399 (15-13/16")	20L3500.06
400 (15-3/4") — 550 (21-5/8")	20L3800.06
450 (17-11/16") — 580 (22-13/16")	20L3900.06

Oval stabilizer rod



- Oval stabilizer rod
- Aluminum rod length **1061** (41-3/4"), cut to size
- Length = interior cabinet opening minus **129** (4-13/16")

Part no.

Oval stabilizer rod

20Q1061UA

NOTE: For cabinets wider than 48" two stabilizer rods and stabilizer rod connector set required

Wood/wide aluminum door hardware set



- Arm assembly mounting plate (qty 2)

Part no.

Wood/wide aluminum hardware set	20S4200
Installation screw for wood doors	606N or 606P
Installation screw for aluminum	7072A

Mounting plate with bracket set

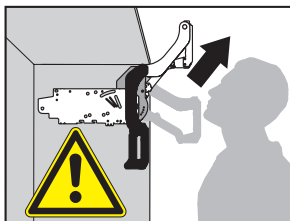


- Mounting plate with bracket (left and right)
- For large overlay five-piece doors

Part no.

Plate with bracket set

20S4F01

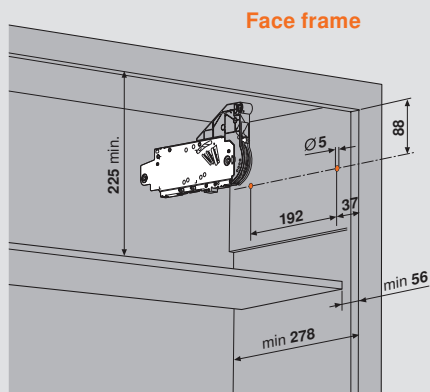
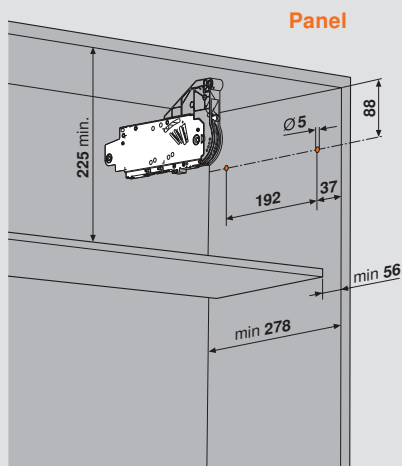


WARNING

Risk of injury from spring-loaded arm

- Do not push arm assembly down or leave in the down position
- Remove mechanism before installing or removing cabinet

1 Locating pin locations and minimum depth



NOTE: Face frame cabinets must be blocked out flush with the frame

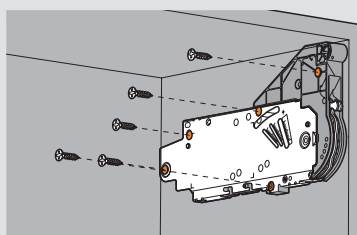
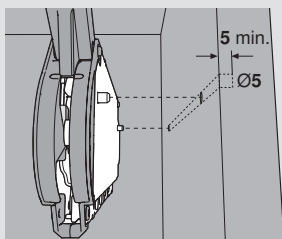
Part no.

Universal individual template is available for pre-boring 5 mm locating pins

65.1051.02

2 Attaching the lift mechanism

Align the lift mechanism in the cabinet using the 5 mm locator pins and attach the mechanism with the five wood screws provided.



#7 x 35 mm (1-3/8") wood screws (qty 5)

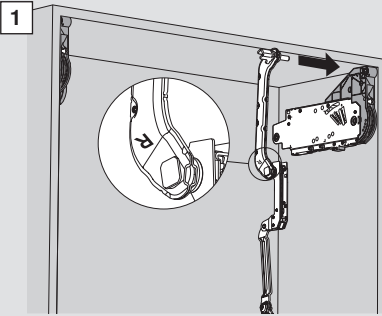
3 Attaching the arm assembly



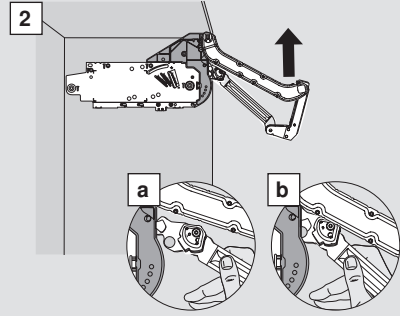
Risk of injury from spring loaded arm

NOTE: Before starting, see safety note on page 2

Find the right and left arm assemblies and match them to the correct side of the cabinet



Attach the arm assembly to the lift mechanism as shown in illustrations.

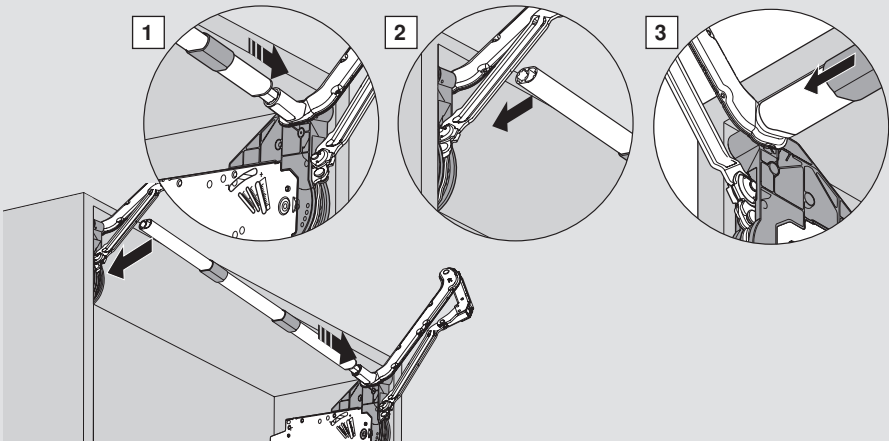


Lift up on the arm assembly to lock into place.

4 Attaching the stabilizer rod

Cut the stabilizer rod to fit the cabinet.

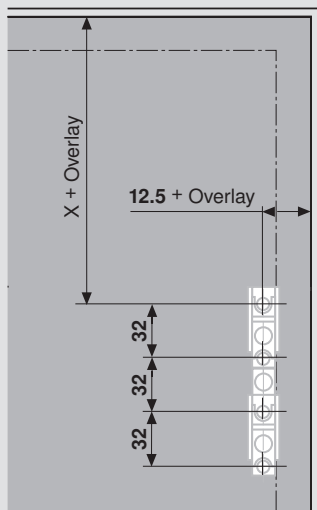
Length = Interior cabinet opening minus 129 (5-1/16")



After cutting the rod to size, slide the stabilizer arm cover caps onto the rod. Attach the stabilizer rod to spring loaded arm assembly then slide stabilizer arm cover caps over rod on each end.

Attaching the mounting plates

5a For Wood/wide aluminum doors

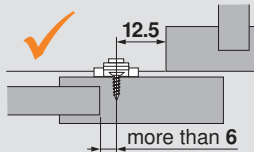


Arm assembly	X
20L3200.06	153
20L3500.06	203
20L3800.06	253
20L3900.06	303

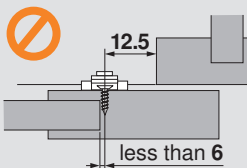
NOTE: All four screws must be installed

Mounting plate	20S4200
Installation screw	606N or 606P

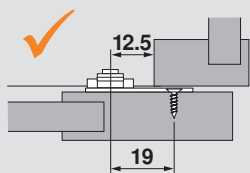
5b For five-panel doors



Standard mounting plate works



Standard mounting plate does not work



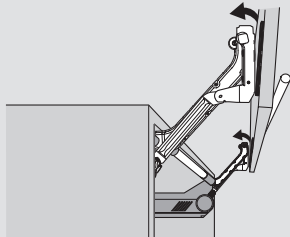
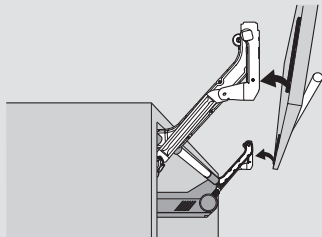
Use mounting plate with bracket when panel is less than 6 mm from screw

Part no.

Mounting plate	20S4F01
Installation screw	606N or 606P

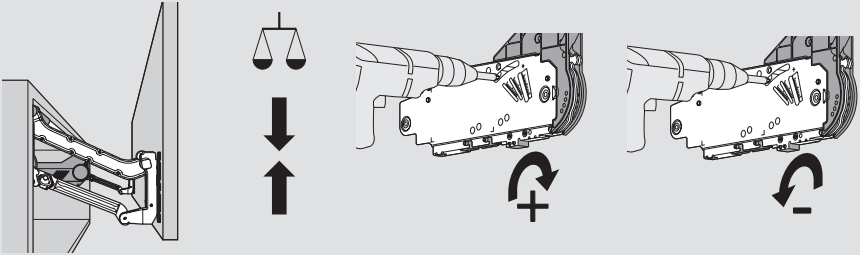
6 Attaching the door

Attach the door to the arm assembly using the CLIP mechanism.



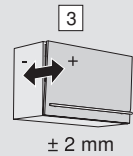
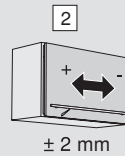
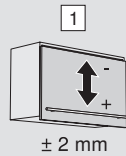
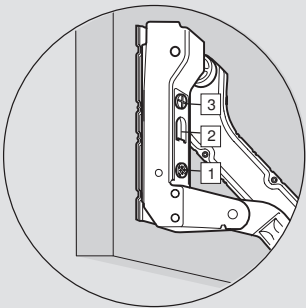
7 Adjusting the lift mechanism tension

Use a screw gun with a #2x2 POZI driver bit to adjust the lift mechanism to the desired tension. The tension should be the same on both lift mechanisms.



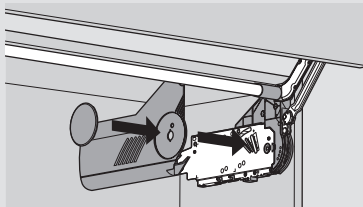
8 Adjusting the door

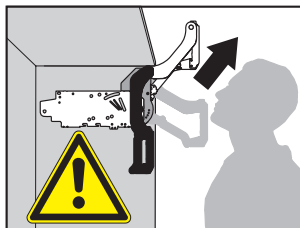
Use a POZI screwdriver to adjust cam adjustments for each of the three-dimensional adjustments.



9 Attach covers

Snap the symmetrical cover caps on each cover plate. Place the left and right cover plates over the appropriate lift mechanisms and snap them in place.



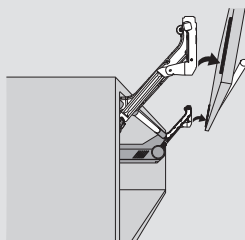
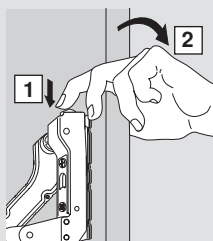


WARNING

Risk of injury from spring-loaded arm

- Do not push arm assembly down or leave in the down position
- Remove mechanism before installing or removing cabinet

1 Removing the door

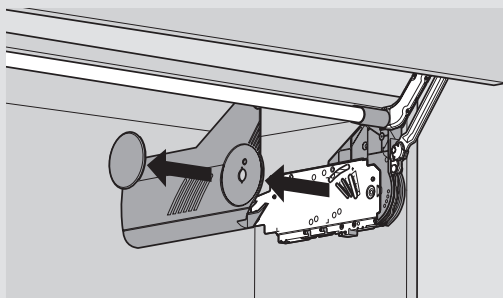


Open the door. Support the door with one hand and push down on tab to disengage the CLIP mechanisms on the arm assemblies of the mounting plates.

Lift the door off the mounting plates.

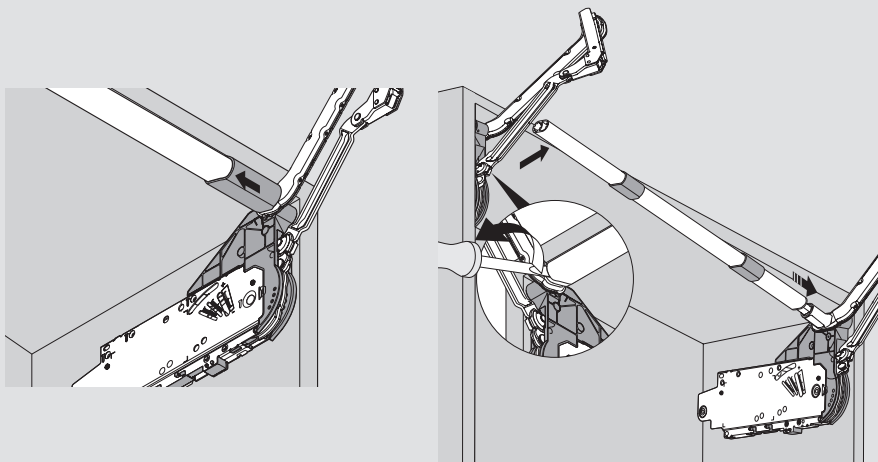
2 Remove the covers

Remove the cover caps and cover plate.

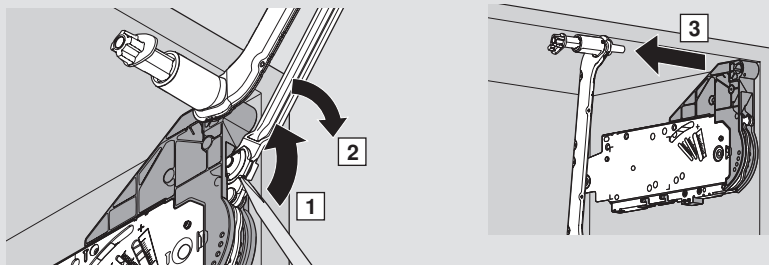


3 Remove the stabilizer rod

Pull back the stabilizer rod cover caps and remove the stabilizer rod from arm assembly.



4 Removing the arm assembly

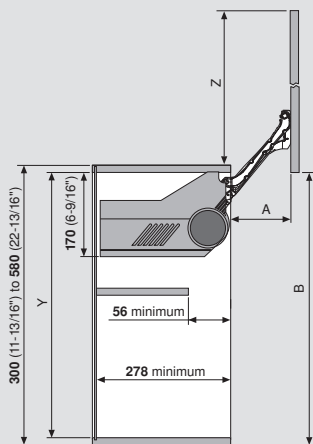


Use a screwdriver to disengage both arm assemblies. Remove arm assembly from mechanism.

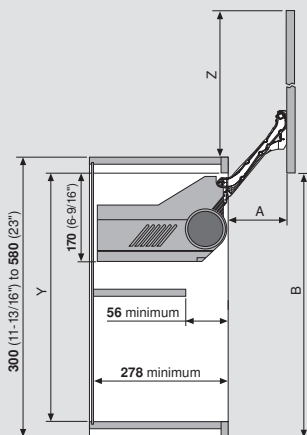
NOTE: Both tabs must be disengaged

Space requirements

Panel



Face frame



Panel and face frame

Arm assembly	Cabinet height	Min. Y	A	B *	Z *
20L3200.06	300 (11-13/16") – 349 (11-13/16")	262	114	257	257
20L3500.06	350 (13-13/16") – 399 (15-13/16")	312	146.5	345	345
20L3800.06	400 (15-3/4") – 550 (21-5/8")	362	178.5	433	433
20L3900.06	450 (17-11/16") – 580 (22-13/16")	412	211	522	522

*based on top and bottom reveals of 0 mm – B and Z dimensions can be ± 15 mm due to range of adjustment, overpush and accuracy of installation

	Inch	mm	
	1/32	.031	1
	1/16	.063	1.5
	3/32	.094	2
	1/8	.125	3
	5/32	.156	4
	3/16	.188	5
	7/32	.219	5.5
	1/4	.25	6
	9/32	.281	7
	5/16	.313	8
	11/32	.344	9
	3/8	.375	9.5
	13/32	.406	10
	7/16	.438	11
	15/32	.469	12
	1/2	.5	13
	17/32	.531	13.5
	9/16	.563	14
	19/32	.594	15
	5/8	.625	16
	21/32	.656	17
	11/16	.688	17.5
	23/32	.719	18
	3/4	.75	19
	25/32	.781	20
	13/16	.813	20.5
	27/32	.844	21
	7/8	.875	22
	29/32	.906	23
	15/16	.938	24
	31/32	.969	24.5
	1	1	25.4

Blum, Inc.
 800-438-6788
 sales.us@blum.com
 blum.com