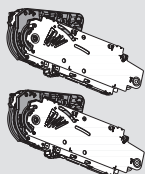


Lift mechanism set

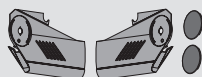


- Lift mechanism (qty 2)
- #7 x 35 mm (1-3/8") wood screw (qty 10)

Part no.

20S2A00.N5	20S2B00.N5	20S2C00.N5
20S2D00.N5	20S2E00.N5	20S2F00.N5
20S2G00.N5	20S2H00.N5	20S2I00.N5

Cover set

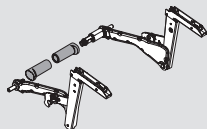


- Right and left cover plate
- Non-handed cover caps (qty 2)

Part no.

Cover set	20S8000.NA
-----------	------------

Arm assembly set



- Right and left arm assembly
- Stabilizer rod cover cap (qty 2)

Arm assembly set	20S3500.06
------------------	------------

Round stabilizer rod



- Aluminum rod length 1061 (41-3/4"), cut to size
- Length = interior cabinet opening minus 129 (5-1/16")

Part no.

Round stabilizer rod	20Q1061UN
----------------------	-----------

**NOTE:** For cabinets wider than 48" two stabilizer rods and a stabilizer rod connector set required

Wood/wide aluminum door hardware set



- Arm assembly mounting plate (qty 2)

Part no.

Mounting plate set	20S4200
Installation screw for wood	606N or 606P
Installation screw for alum	7072A

Mounting plate with bracket set



- Right and left mounting plates

Part no.

Plate w/ bracket set	20S4F01
----------------------	---------

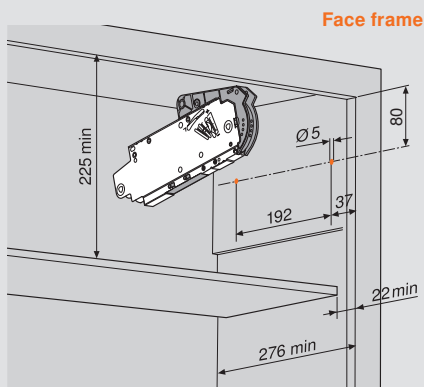
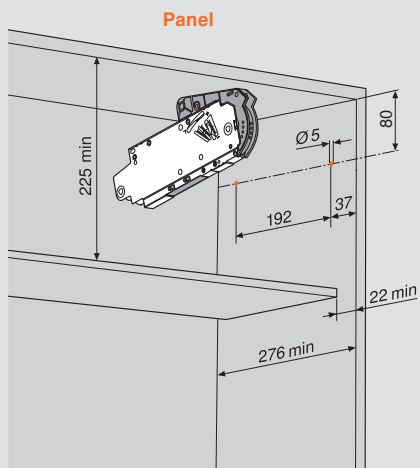


# WARNING

Risk of injury from spring-loaded arm

- Do not push arm assembly down or leave in the down position
- Remove mechanism before installing or removing cabinet

## 1 Locating pin locations and minimum depth



**NOTE:** Face frame cabinets must be blocked out flush with the frame.

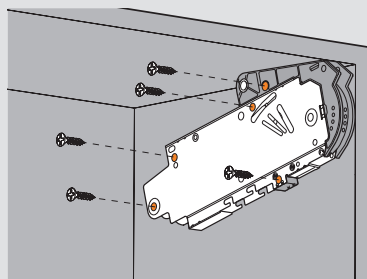
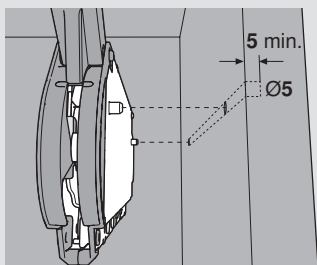
Part no.

Universal individual template is available for pre-boring 5 mm locating pins

**65.1051.02**

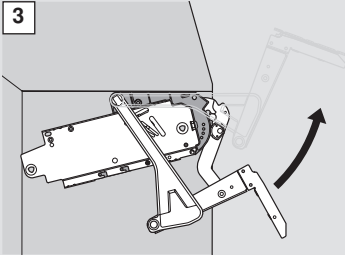
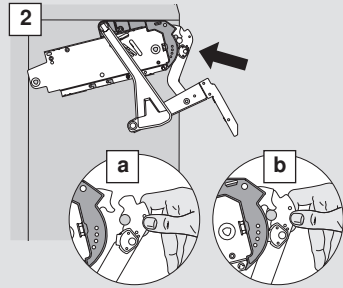
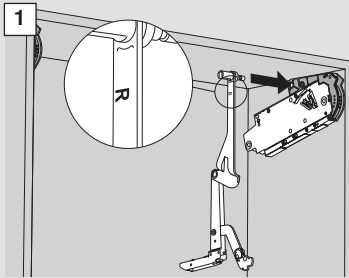
## 2 Attaching the lift mechanism

Align the lift mechanism in the cabinet using the 5 mm locator pins and attach the mechanism with the five wood screws provided.



#7 x 35 mm (1-3/8") wood screws (qty 5)

### 3 Attaching the arm assembly



**Before starting, see safety note on page 2**

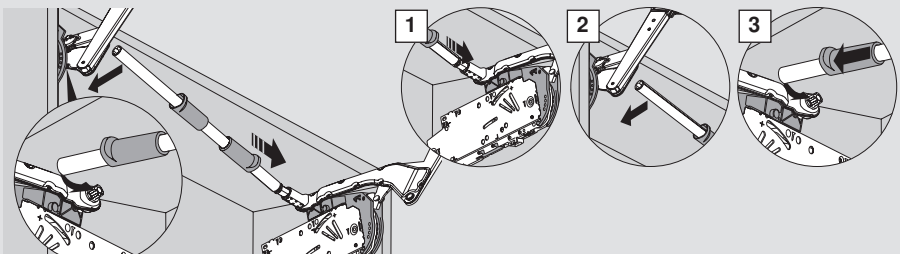
1. Find the right and left arm assemblies and match them to the correct side of the cabinet.
2. Attach the arm assembly to the lift mechanism as shown.
3. Lift up on the arm assembly to lock into place.



**Risk of injury from spring loaded arm.**

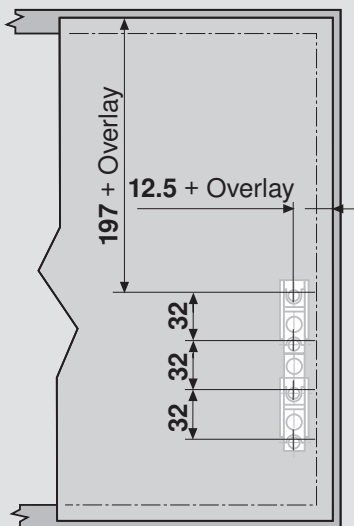
### 4 Attaching the stabilizer rod

Cut the stabilizer rod to fit the cabinet. Length = Interior cabinet opening minus **129 (5-1/6")**  
After cutting the rod to size follow steps 1, 2, and 3 below.



- 1 Slide the stabilizer arm cover caps onto the rod
- 2 Attach the stabilizer rod to spring loaded arm assembly
- 3 Slide stabilizer arm cover caps over rod on each end

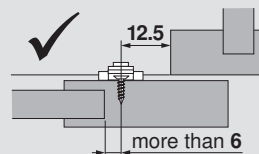
**5a** For Wood/wide aluminum doors



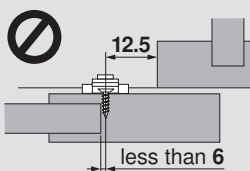
**NOTE:** Attach with four 606 wood screws

**5b** For five-panel doors

Standard mounting plate works



Standard mounting plate does not work



Use mounting plate with bracket when panel is < 6 mm from screw

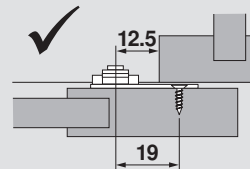
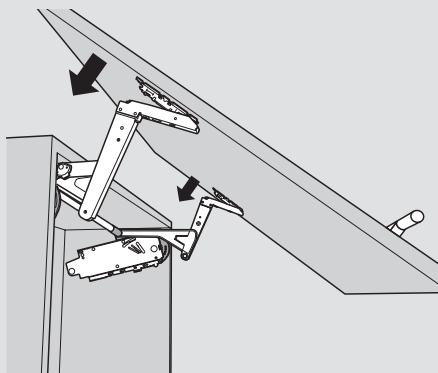
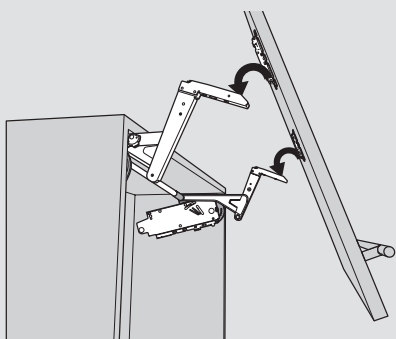


Plate w/ bracket set

20S4F01

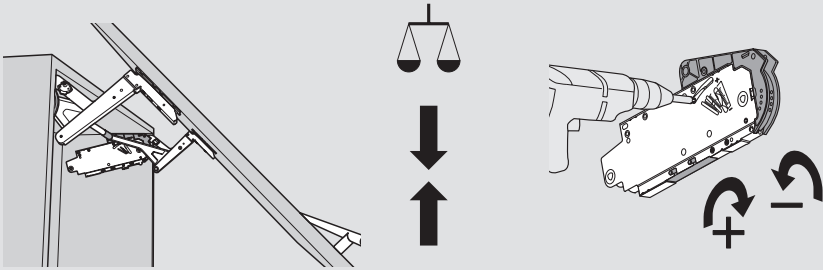
**6** Attaching the door

Attach the door using the CLIP mechanism to the arm assembly



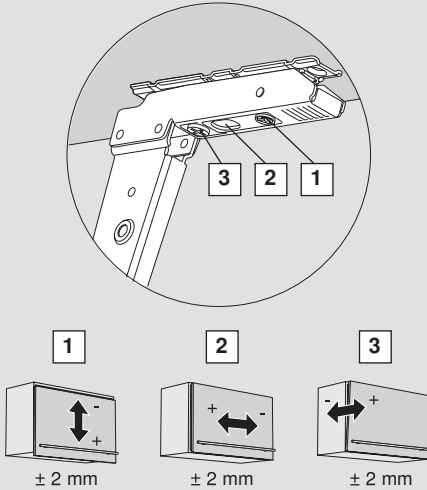
## 7 Adjusting the lift mechanism tension

Use a screw gun and the supplied #2 x 2 POZI driver bit to adjust the lift mechanism to the desired tension.



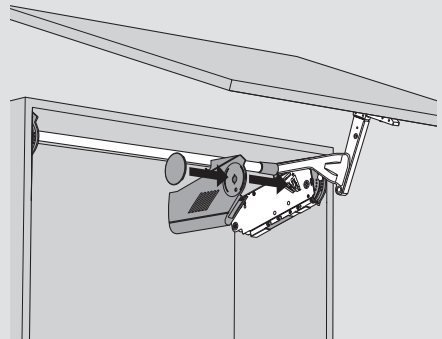
## 8 Adjusting the door

Use a POZI screwdriver to adjust cam adjustments for each of the three-dimensional adjustments.



## 9 Attach covers

Snap the symmetrical cover caps on each cover plate. Place the left and right cover plates over the appropriate lift mechanisms and snap them in place.





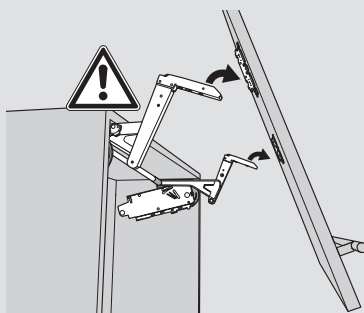
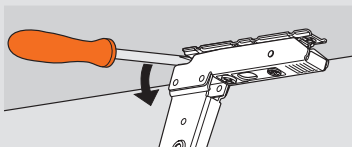
# WARNING

Risk of injury from spring-loaded arm

- Do not push arm assembly down or leave in the down position
- Remove mechanism before installing or removing cabinet

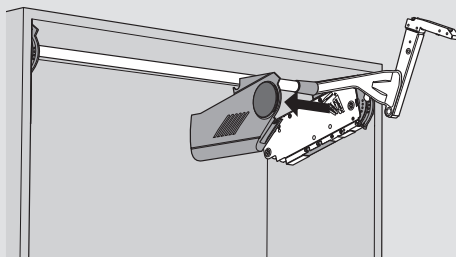
## 1 Removing the door

Open the door. Use a screwdriver to disengage the CLIP mechanism of the arm assembly from the mounting plate.



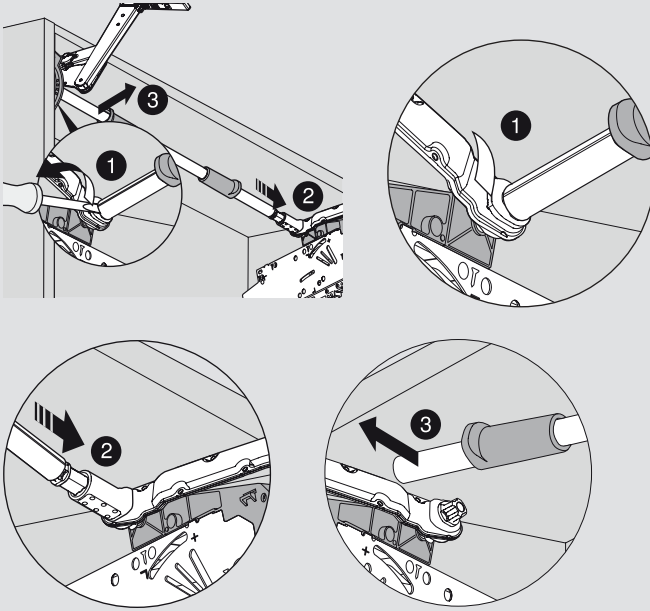
## 2 Remove the covers

Remove the left and right cover plates.



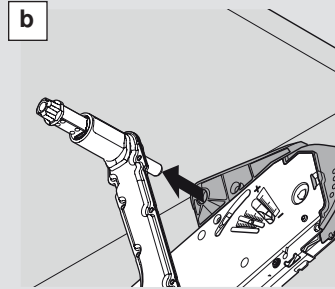
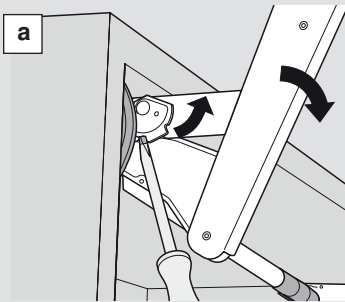
### 3 Remove the stabilizer rod

Pull back the stabilizer rod cover caps and loosen the locking screw on each end of the stabilizer rod. Remove the Stabilizer rod from the cabinet.

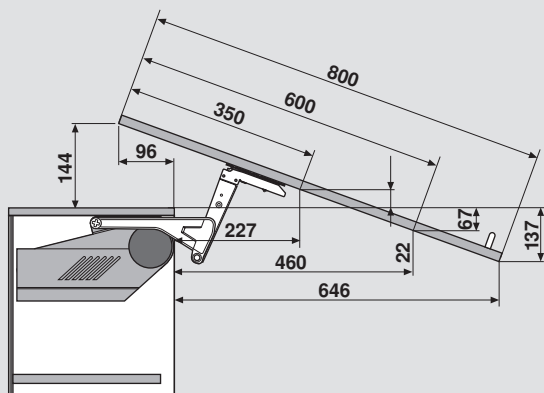


### 4 Removing the arm assembly

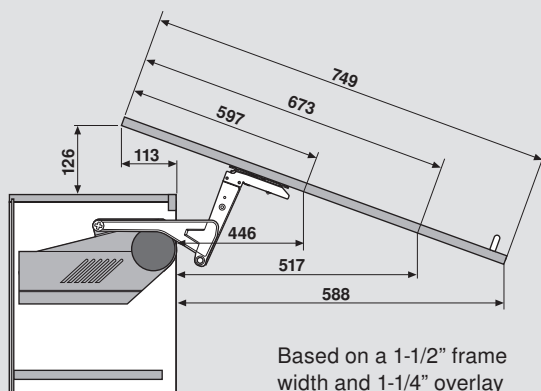
- a** Use a screwdriver to disengage the arm assembly as shown.
- b** Remove arm assembly from mechanism. Cabinet is now ready for transport.



## Panel door protrusion for common cabinet heights



## Face frame door protrusion for common cabinet heights



Inch		mm
1/32	.031	1
1/16	.063	1.5
3/32	.094	2
1/8	.125	3
5/32	.156	4
3/16	.188	5
7/32	.219	5.5
1/4	.25	6
9/32	.281	7
5/16	.313	8
11/32	.344	9
3/8	.375	9.5
13/32	.406	10
7/16	.438	11
15/32	.469	12
1/2	.5	13
17/32	.531	13.5
9/16	.563	14
19/32	.594	15
5/8	.625	16
21/32	.656	17
11/16	.688	17.5
23/32	.719	18
3/4	.75	19
25/32	.781	20
13/16	.813	20.5
27/32	.844	21
7/8	.875	22
29/32	.906	23
15/16	.938	24
31/32	.969	24.5
1	1	25.4