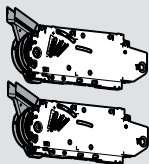


AVENTOS HF

Narrow aluminum door application

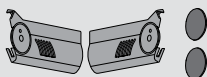
Lift mechanism set



- Lift mechanism (qty 2)
- #7 x 35 mm (1-3/8") wood screw (qty 10)

Power factor	Part no.
85 — 230 (1 lift mechanism req.)	20F2200.N5
231 — 470	20F2200.N5
471 — 880	20F2500.N5
780 — 1440	20F2800.N5
1401 — 2300 (3 lift mechanisms req.)	20F2800.N5

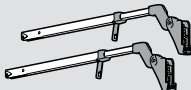
Cover set



- Right and left cover plate
- Non-handed cover cap (qty 2)

Cover set	Part no.
Cover set	20F8000.NA

Telescopic arm set



Cabinet heights	Part no.
479 (18-7/8") — 558 (22")	20F3200
558 (22") — 686 (27")	20F3500
686 (27") — 889 (35")	20F3800
889 (35") — 1067 (42")	20F3900

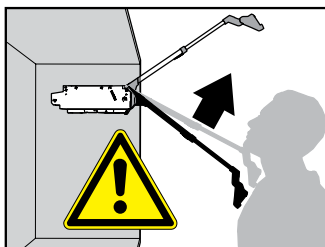
Narrow aluminum door hardware set

- 72T550A.TL — CLIP top free swing narrow alum. top door hinge (qty 2)
- 78Z550AT — CLIP top narrow aluminum bottom door hinge (qty 2)
- 175H5400 — Top door mounting plate (qty 2)
- 175H5A00 — Bottom door mounting plate (qty 2)
- 175H5B00 — Telescopic arm mounting plate (qty 4)
- 669.110 — Aluminum screw for the bottom door mounting plate, bottom hinge, top hinge and telescopic arm mounting plate (qty 8)

NOTE: Three hinges and mounting plates are required for cabinet widths over 1219 (48") or combined door weight of 26.5 lb

Narrow aluminum door hardware set	78Z550ATA5
Installation screw for top mounting plate	606N or 606P

Assembly

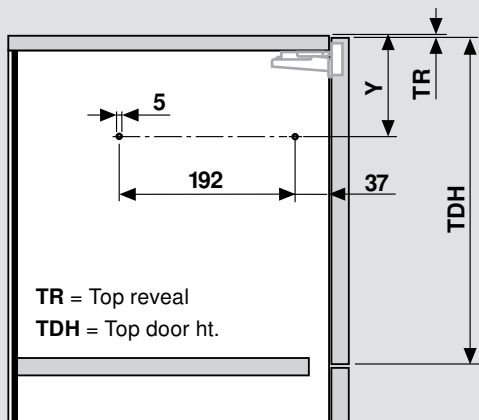


WARNING

Risk of injury from spring-loaded arm

- Do not push lever arm down or leave in the down position
- Remove mechanism before installing or removing cabinet

1 Locating pin locations



Top door height (TDH)	Y
231 to 271	$TDH \times .6 - 28 + TR$
272 to 531	$TDH \times .6 - 57 + TR$

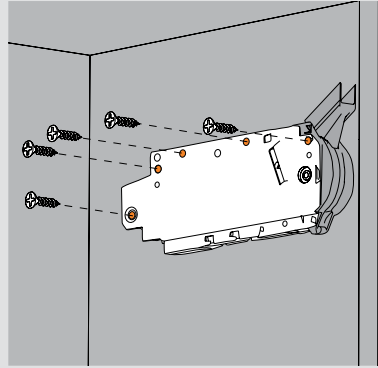
Universal individual template is available for pre-boring 5 mm locating pins

Part no.

65.1051.01

2 Attach the lift mechanism

- a. Use the AVENTOS template to prebore the locating pin holes for the AVENTOS HF lift mechanism.
- b. After aligning the lift mechanism with the cabinet using the locator pins, attach the mechanism with the four mounting screws provided.



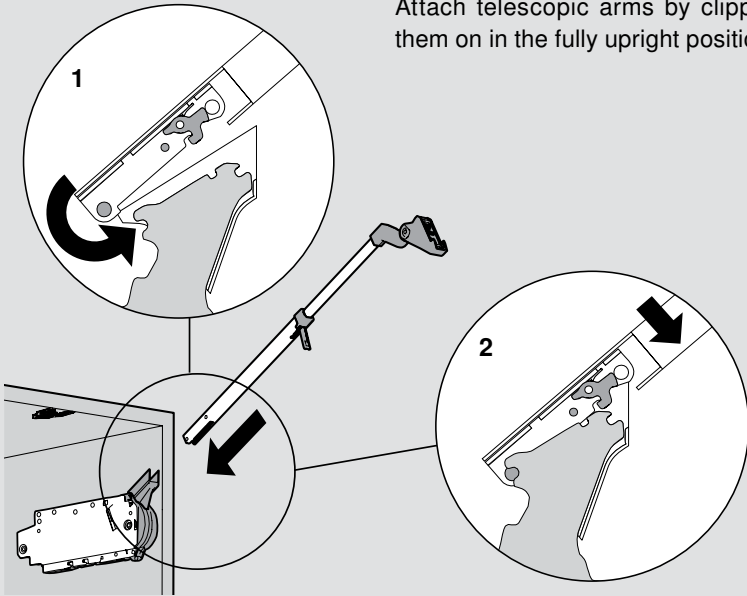
#7 x 35mm (1-3/8") wood screws (qty 5)

3 Attach the telescopic arms

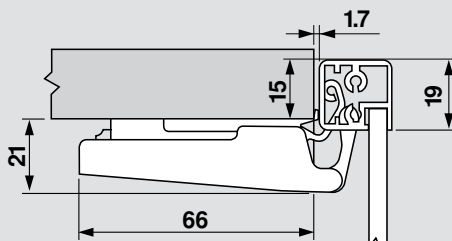


WARNING: Risk of injury from spring loaded arm.

Attach telescopic arms by clipping them on in the fully upright position.



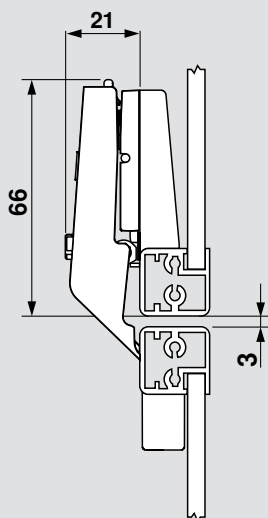
5 Top door hinge planning



Aluminum door hinge
In-line mounting plate

Part no.
72T550A
175H5100.05

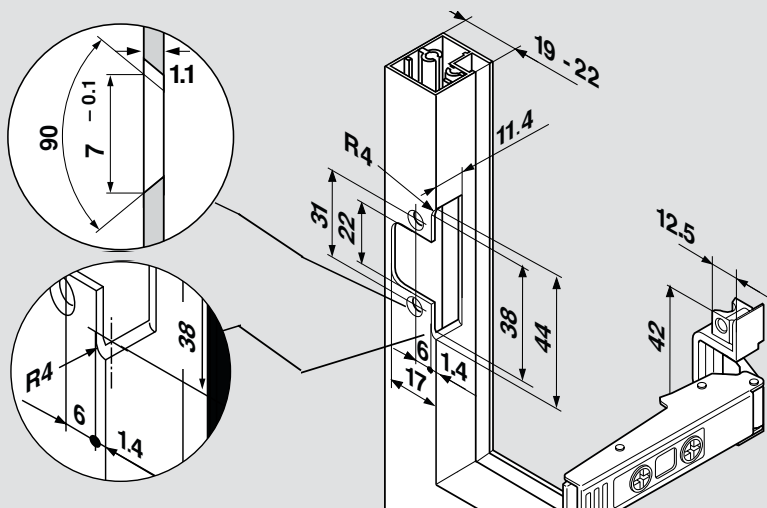
6 Bottom door hinge planning



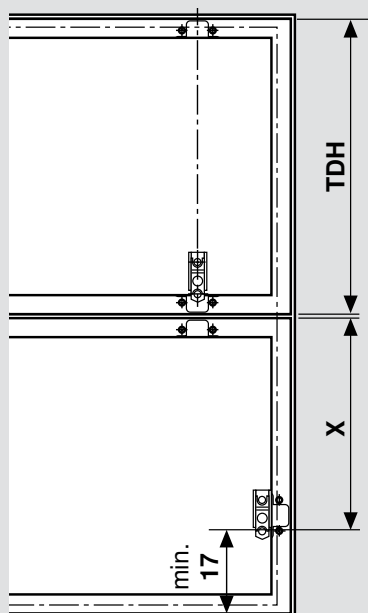
Aluminum door bottom hinge
Bottom door mounting plate

Part no.
78Z550AT
175H5A00

7 Frame preparation



8 Bottom door planning

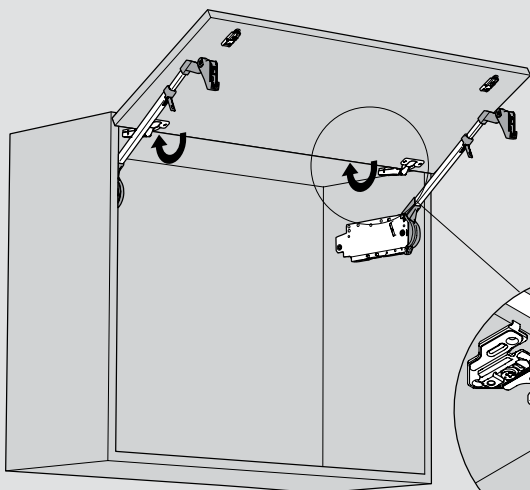


Top door height (TDH)	X
231 to 271	TDH x .5 + 70
272 to 531	TDH x .5 + 47

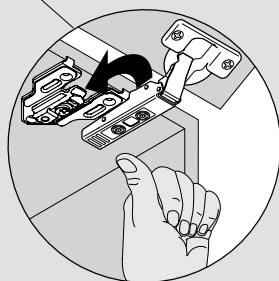
NOTE: 3 hinges are required for cabinet width over 1219 mm (48") or 26.5 lb. combined door weight

Part no.
Telescopic arm mounting plate **175H5B00**

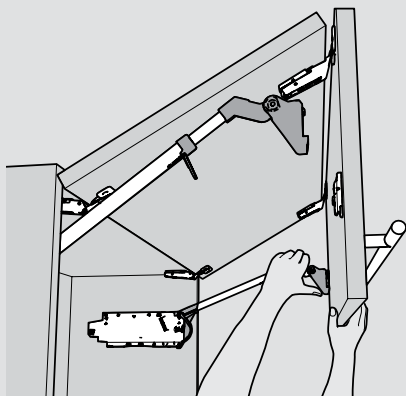
9 Attach the top door



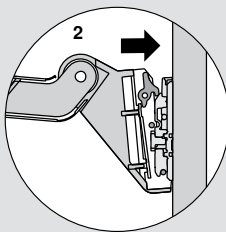
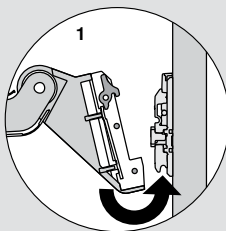
Determine the locations of mounting plates and hinges and attach the hardware to cabinet doors. Attach top door to the cabinet.



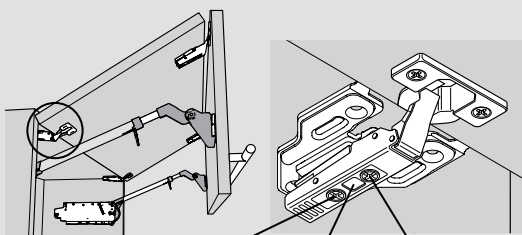
10 Attach the bottom door



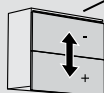
Attach bottom door to the top door and attach the telescopic arms.



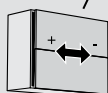
11 Adjust the top door hinge



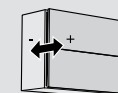
Adjust each top door hinge and mounting plate to properly align the top door to the cabinet.



± 3 mm

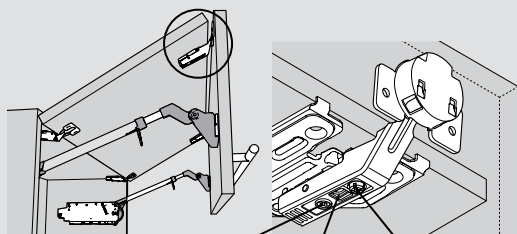


± 2 mm

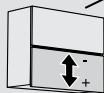


+ 3/- 2 mm

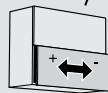
12 Adjust the bottom door hinge



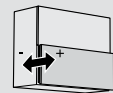
Adjust each bottom door hinge and mounting plate to properly align doors to the cabinet and to the top door.



± 2.5 mm



± 2 mm

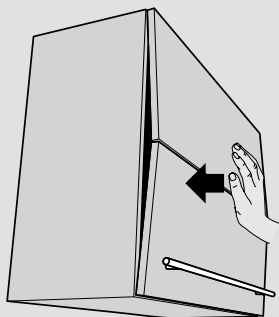


± 2 mm

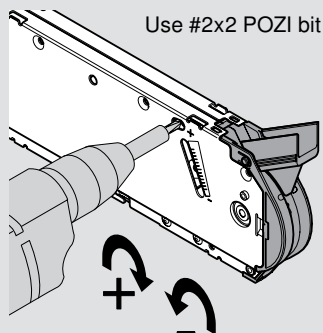
Assembly

13 Finalize the tension adjustments

1



2

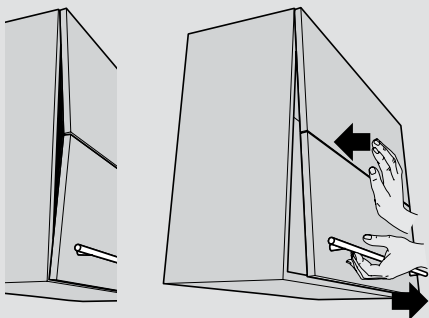


Close and flush doors to cabinet. Open and close door to test closing force. Open door and adjust tension screws on both lift mechanisms with a power drill. Test door again and repeat until desired function is achieved.

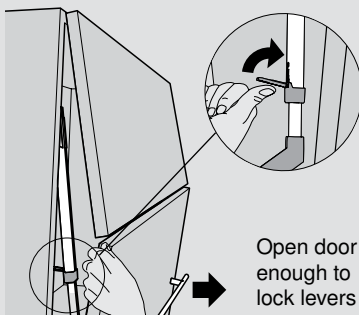
Tension adjustment should be the same on both lift mechanisms.

12 Lock telescopic arms

1



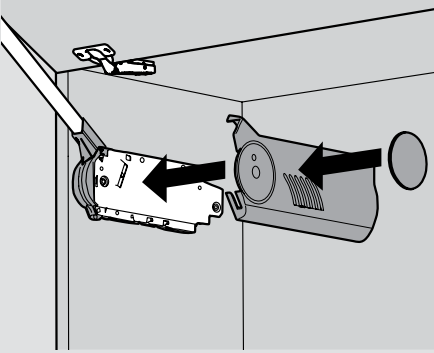
2



1. Close and flush doors to cabinet. While pressing on the bottom of the top door, pull the bottom door open one inch.

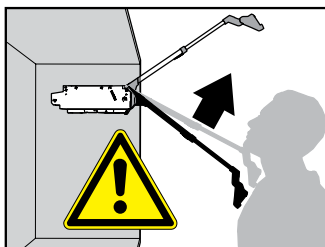
2. Slightly open door and lock the telescopic arms into position using the levers as shown.

15 Attach cover caps



Attach the left and right cover plates to each lift mechanism then attach the symmetrical cover caps.

Removal

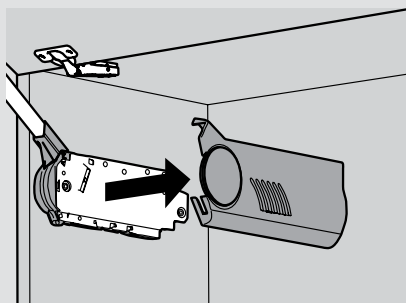


WARNING

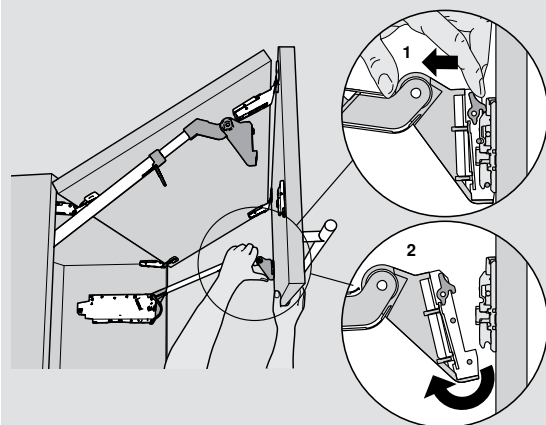
Risk of injury from spring-loaded arm

- Do not push lever arm down or leave in the down position
- Remove mechanism before installing or removing cabinet

1 Removing the covers

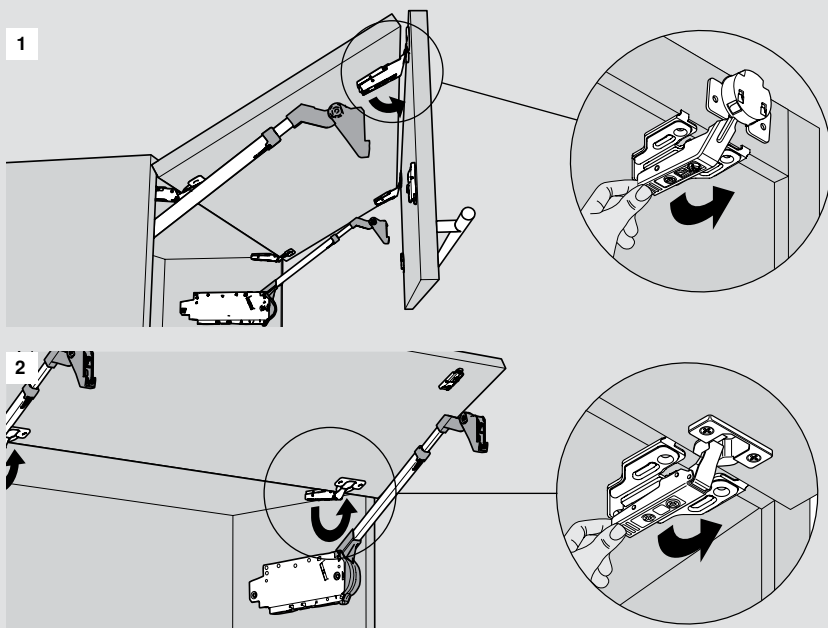


2 Removing the door



Release both arms and gently rest the top door on the loose arms. The tension will hold the doors up for the next step.

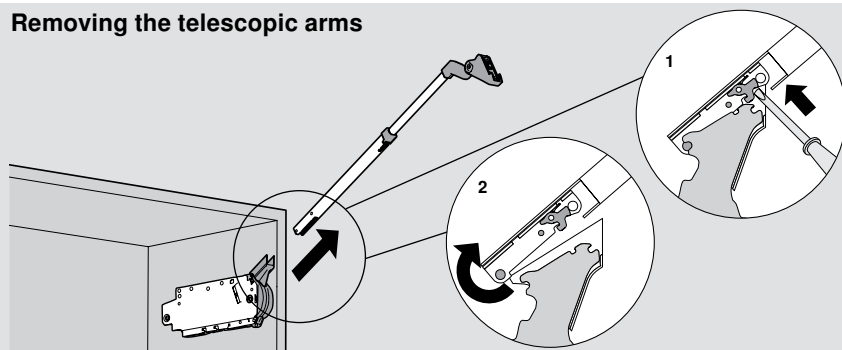
3 Removing the doors



1. Hold the bottom door while unclipping the bottom hinge.

2. Hold the top door while detaching the top hinges. Simply unclip them if using the CLIP top hinges or unscrew them if using COMPACT.

4 Removing the telescopic arms

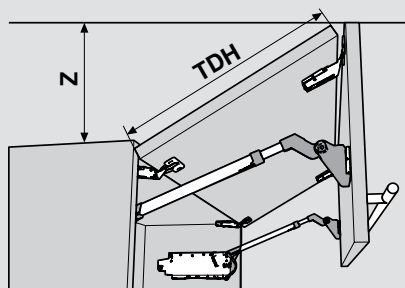


Using a screwdriver, depress the release tabs to remove telescopic arms.

If transporting the cabinet to the jobsite, stop here. Lift mechanisms can stay inside the cabinet for easy transport.

Other information

Door clearance above cabinet



$$Z = TDH \times .44 + 23$$

	Inch	mm	
	1/32	.031	1
	1/16	.063	1.5
	3/32	.094	2
	1/8	.125	3
	5/32	.156	4
	3/16	.188	5
	7/32	.219	5.5
	1/4	.25	6
	9/32	.281	7
	5/16	.313	8
	11/32	.344	9
	3/8	.375	9.5
	13/32	.406	10
	7/16	.438	11
	15/32	.469	12
	1/2	.5	13
	17/32	.531	13.5
	9/16	.563	14
	19/32	.594	15
	5/8	.625	16
	21/32	.656	17
	11/16	.688	17.5
	23/32	.719	18
	3/4	.75	19
	25/32	.781	20
	13/16	.813	20.5
	27/32	.844	21
	7/8	.875	22
	29/32	.906	23
	15/16	.938	24
	31/32	.969	24.5
	1	1	25.4

Blum, Inc.
 7733 Old Plank Rd.
 Stanley, NC 28164
 800-438-6788
 fax 704-827-0799
 www.blum.com

