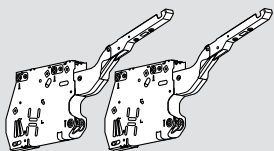


# AVENTOS HK

## Wood/wide aluminum door application

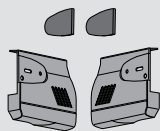
### Lift mechanism set



- Lift mechanism (qty 2)
- #7 x 35 mm (1-3/8") wood screw (qty 10)

Power factor	Opening angle	Part no.
43 — 99	107°	20K2300.N5
100 — 174	107°	20K2500.N5
175 — 349	107°	20K2700.N5
350 — 792	100°	20K2900.N5

### Cover set

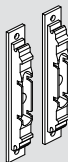


- Right and left cover plate
- Non-handed cover cap (qty 2)

Part no.
Cover set
20K8000.NA

### Wood or wide alum door hardware set

- Arm assembly mounting plate (qty 2)

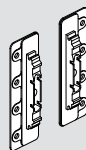


**NOTE:** Three hinges and mounting plates required for cabinet widths over 1219 (48")

Hardware set	20S4200
Inst. screw for wood doors	606N or 606P
Inst. screw for wide alum doors	7072A

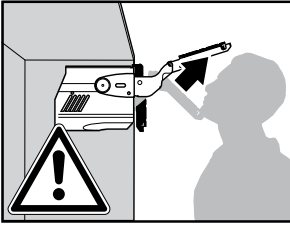
### Mounting plate with bracket set

- Left and right mounting plate with bracket
- For large overlay five-piece doors



Part no.
Mounting plate w/ bracket set
20S4F01

# Assembly

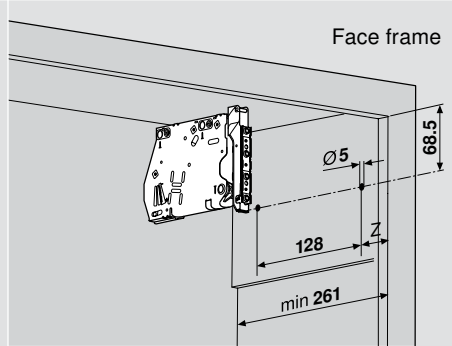
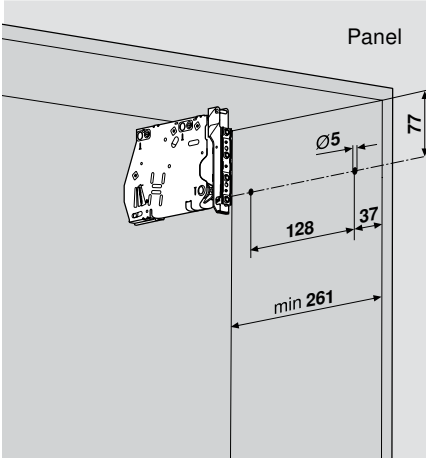


## **WARNING**

Risk of injury from spring-loaded arm

- Do not push arm assembly down or leave in the down position
- Remove mechanism before installing or removing cabinet

### 1 Locating pin locations and minimum depth



**NOTE:** Face frame cabinets must be blocked out flush with the frame.

Overlay	up to 28	32	35
Z	37	35	33

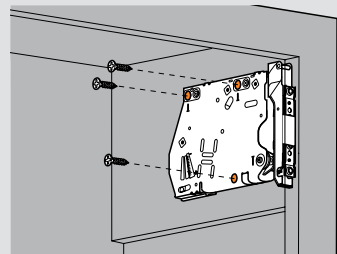
Part no.

AVENTOS boring template is available for pre-boring 5 mm locating pins

**65.5020**

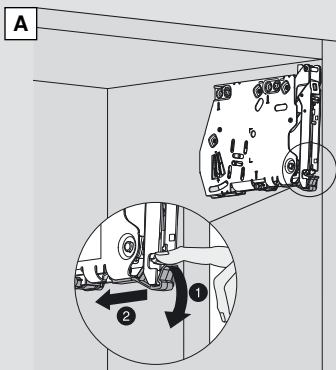
### 2 Attaching the lift mechanism

- Use the AVENTOS template to pre-bore the locating pin holes for the AVENTOS HK lift mechanism
- After aligning the lift mechanism with the cabinet using the locator pins, attach the mechanism with the three mounting screws provided

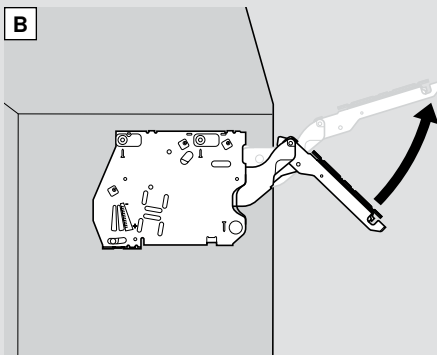


#7 x 35 mm (1-3/8") wood screws (qty 3)


### 3 Remove transport tab from lift mechanism and raise arms



Carefully remove the transport tab.



Raise the arm to the upright position.

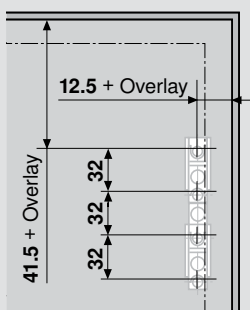
 Risk of injury from spring loaded arm.

**NOTE:** Do not remove transport tab until just before attaching the door

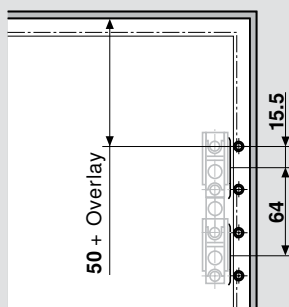
### Attaching the mounting plates

#### 4a For Wood/wide aluminum doors

Frame

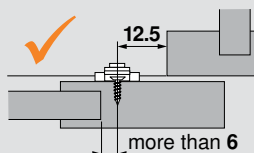


Panel

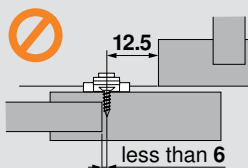


**NOTE:** All four screws must be installed

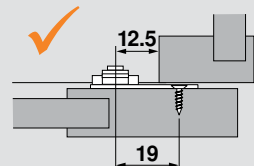
#### 4b With bracket for five-piece doors



Standard mounting plate works



Standard mounting plate does not work

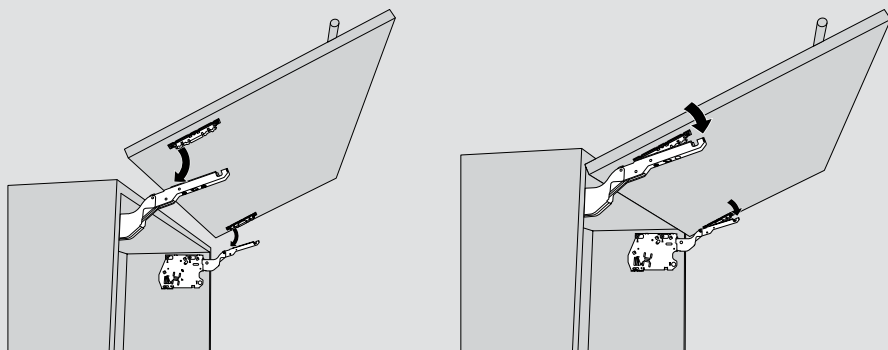


Use mounting plate with bracket when panel is < 6 mm from screw

# Assembly

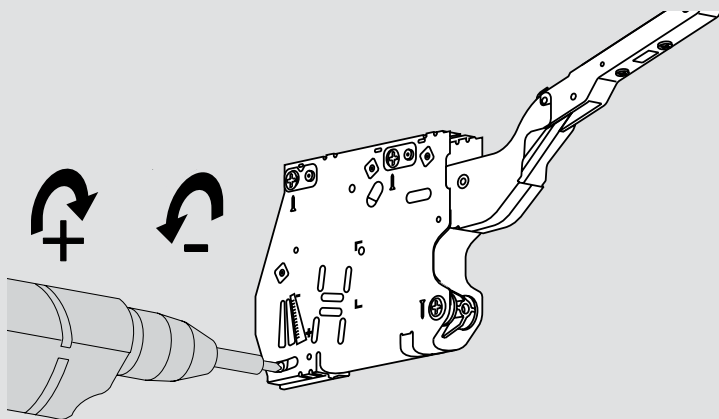
## 5 Attaching the door

Attach the door using the CLIP mechanism in the mounting plate.



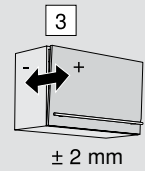
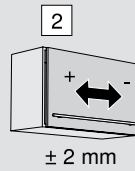
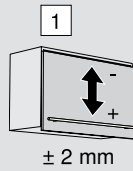
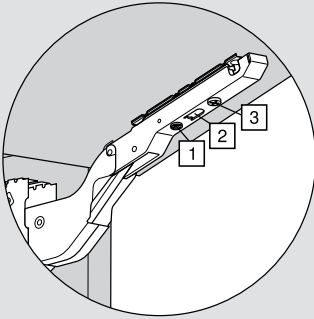
## 6 Adjust the door tension

Use a screw gun and #2 x 2 POZI driver bit to adjust the lift mechanism to the desired tension.



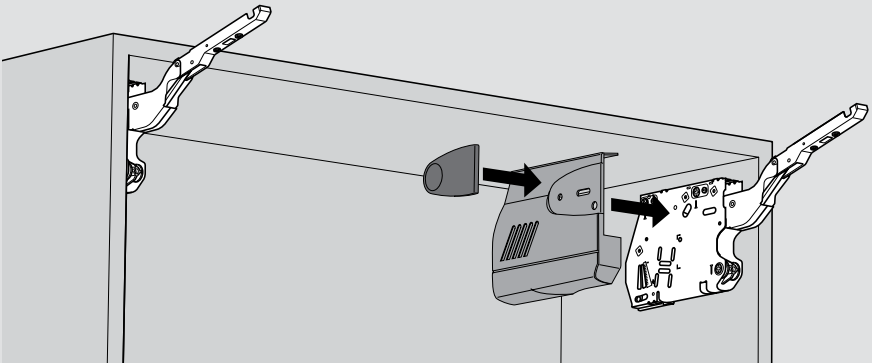
## 7 Finalize the door adjustments

Use a POZI screwdriver to adjust cam adjustments for each of the three-dimensional adjustments.

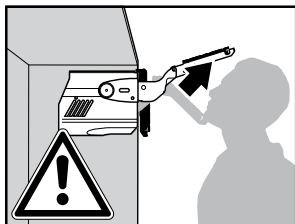


## 8 Attach cover caps

Snap the symmetrical cover caps on each cover plate. Place the left and right cover plates over the appropriate lift mechanisms and snap them in place.



# Removal



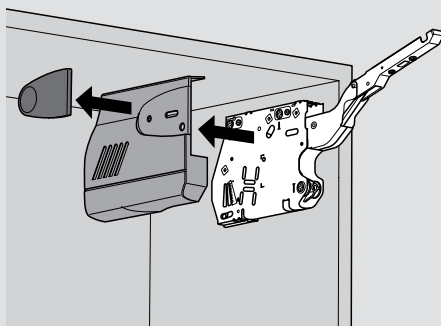
## WARNING

Risk of injury from spring-loaded arm

- Do not push arm assembly down or leave in the down position
- Remove mechanism before installing or removing cabinet

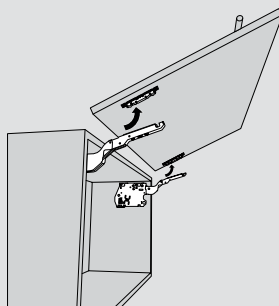
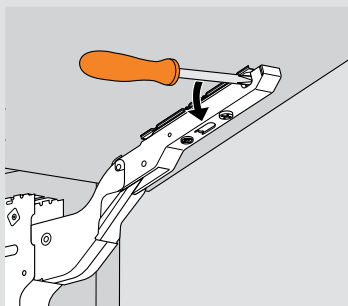
### 1 Removing the covers

Remove the cover caps and cover plate.



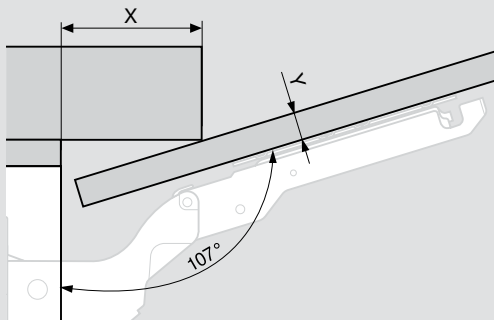
### 2 Removing the door

- Open the door. Use a screwdriver to disengage the CLIP mechanism of the lever arm from the mounting plate
- Support the door with one hand and repeat on the other side



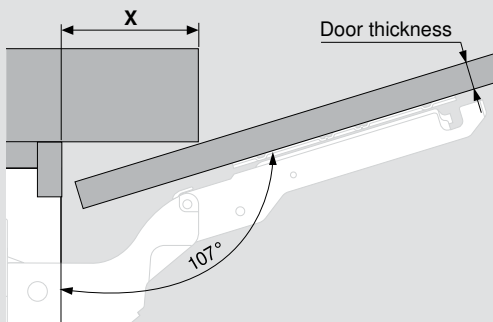
# Other information

## Panel door clearance



Door thickness	16	19	22	26
X	70	59	49	35

## Face frame door clearance



Door thickness	16	19	22	26
X	70	59	49	35

Inch		mm
1/32	.031	1
1/16	.063	1.5
3/32	.094	2
1/8	.125	3
5/32	.156	4
3/16	.188	5
7/32	.219	5.5
1/4	.25	6
9/32	.281	7
5/16	.313	8
11/32	.344	9
3/8	.375	9.5
13/32	.406	10
7/16	.438	11
15/32	.469	12
1/2	.5	13
17/32	.531	13.5
9/16	.563	14
19/32	.594	15
5/8	.625	16
21/32	.656	17
11/16	.688	17.5
23/32	.719	18
3/4	.75	19
25/32	.781	20
13/16	.813	20.5
27/32	.844	21
7/8	.875	22
29/32	.906	23
15/16	.938	24
31/32	.969	24.5
1	1	25.4

Blum, Inc.  
7733 Old Plank Rd.  
Stanley, NC 28164  
800-438-6788  
fax 704-827-0799  
sales.us@blum.com  
www.blum.com