

The NEW Refrigerator Column has been designed to offer exceptional food preservation, maximum storage & unmatched options for kitchen design and flexibility. With industry-leading capacity these integrated columns are perfect for every home kitchen.

PRODUCT FEATURES:

- Industry-leading 17.44 cu. ft. capacity
- Stainless steel & glass interiors
- Available in panel-ready with available integrated stainless steel panels in your choice of 1000+ colors, all with flush installation.
- Advanced temperature control for longer food preservation
- Touch screen control with Sabbath & Shopping modes
- Extra-bright LED lighting
- Fully extending crisper drawers
- Slide-out tray that fits sheet pan
- Iron Clad Warranty: 2 years (full), 5 years (sealed system parts & labor) and 13 years (sealed system parts)
- Side by side kits included with all freezer models. Kits for side by side refrigerators available separately

CONFIGURATIONS:

Right Swing Model Plus Stainless Steel Door Panel Accessory:

BIRP30R0	Panel Ready
CP30RH1	Right Door Panel Stainless Steel Std Trim
CP30RH1PLT	Right Door Panel Stainless Steel Plated Trim
CP30RH1C	Right Door Panel Std RAL Color Std Trim
CP30RH1CPLT	Right Door Panel Std RAL Color Plated Trim
CP30RH1CF	Right Door Panel Specialty Finish Std Trim
CP30RH1CFPLT	Right Door Panel Specialty Finish Plated Trim
CP30RH1CC	Right Door Panel Custom Color Std Trim
CP30RH1CCPLT	Right Door Panel Custom Color Plated Trim



Model: BIRP30R0

Model: BIRP30R0
with CP30RH1

Model: BIRP30R0
with CP30RH1CPLT

SPECIFICATIONS:

Dimensions:

- Panel Ready: 83 1/2"H x 29 3/8"W x 24 1/4"D
- * Overall depth does not include panel depth
- * Width includes connector brackets

Electrical Requirements: 115V, 60Hz, 15 AMP Circuit

(Unit must be on a Non-GFI, dedicated outlet)

Unit Capacity: 17.44 cu. ft.

Weight: 445 lbs.

Left Swing Model Plus Stainless Steel Door Panel Accessory:

BIRP30L0	Panel Ready
CP30LH1	Left Door Panel Stainless Steel Std Trim
CP30LH1PLT	Left Door Panel Stainless Steel Plated Trim
CP30LH1C	Left Door Panel Std RAL Color Std Trim
CP30LH1CPLT	Left Door Panel Std RAL Color Plated Trim
CP30LH1CF	Left Door Panel Specialty Finish Std Trim
CP30LH1CFPLT	Left Door Panel Specialty Finish Plated Trim
CP30LH1CC	Left Door Panel Custom Color Std Trim
CP30LH1CCPLT	Left Door Panel Custom Color Plated Trim

INSTALLATION DIMENSIONS: 30" PANEL READY MODELS

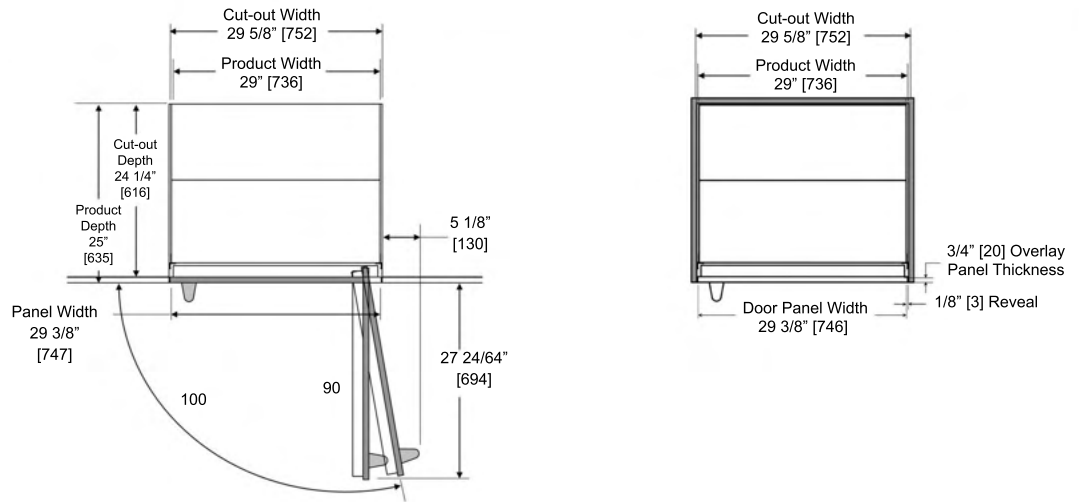
- (A) Recommended cut-out height 83 1/2" - 84"
- (B) Dimensions shown are with rollers in minimum position as shipped.
Unit can be raised 1" max.
- (C) Cut-out must have a finished return of at least 3 1/2" from the front.

Notes:

- Dimensions shown in [] are in millimeters.
- Product depth does not include 3/4" panel
- Cut-out dimensions are for frameless cabinet installations.

Installation Dimensions:

- Applicable to all 30" Panel Ready models.
- Dimensions are common for 30" Left Swing models.



PANEL DETAIL:

Each panel-ready BlueStar Column appliance is designed to be equipped with a decorative door panel. The table below illustrates the dimensions to be used as a guide in creating custom panels. At 79 7/8" (2029 mm) tall, they are designed for a toekick height of 4" (102 mm), and a total cutout height of 84" (2134 mm) yielding 1/8" (3 mm) reveals. At 3/4" (19 mm) deep, they are designed to attach to the 24 1/4" (616 mm) deep appliance for an overall depth of 25" (635 mm). Maximum allowed panel thickness is 1-1/8" (29 mm). 3/4" thick stainless and painted stainless panels with BlueStar handles can be purchased through BlueStar.

If the cabinet panels to be installed on panel ready units are of a rail and stile panel design, the location of mounting bracket hardware must still be 3/4" thick. A minimum vertical stile width of 3" on either side edge of the panel is recommended.

Description	H	W (1)	W (2)	Max. Panel Weight
30" Single Column	79 7/8" [2029]	29 3/8" [746]		75 lb each (34 kg)
18" & 30" Joined Columns	79 7/8" [2029]	17 1/2" [445]	29 3/8" [746]	75 lb each (34 kg)
24" & 30" Joined Columns	79 7/8" [2029]	23 1/2" [597]	29 3/8" [746]	75 lb each (34 kg)
30" & 30" Joined Columns	79 7/8" [2029]	29 3/8" [746]	29 3/8" [746]	75 lb each (34 kg)

