

# INSTALLATION MANUAL



# BLUESTAR<sup>®</sup>

Column Refrigerator & Freezer



## Contents

---

Safety Information	4
Site Preparation	6
Panel Preparation	8
Installation Instructions	10
Step 1—Uncrate and Inspect Product	10
Step 2—Remove Skid	10
Step 3—Hook up Electrical and Water	11
Step 4—Levelling	11
Step 5—Attach Plastic Connecting Brackets	11
Step 6—Install Two Appliances Side-by-Side	12
Step 7—Attach Wall Blocking	13
Step 8—Install Shoulder Bolts and Set Screws	13
Step 9—Install Panel (Panel-Ready Models)	14
Step 10—Move Appliance into Position	14
Step 11—Install Anti-Tip Brackets	14
Step 12—Adjust Panel ( Panel-Ready Models)	16
Step 13—Attach Appliance to Cabinetry	16
Step 14—Attach Door Handle	17
Step 15—Attach Venting Grill	17
Testing and Initial Startup	18

## Safety Information

Please read and obey the following types of safety messages to ensure your refrigerator is installed and operated as safely as possible:

### **⚠ DANGER**

Will cause serious injury or death if instructions are not followed.

### **⚠ WARNING**

Can cause serious injury or death if instructions are not followed.

### **⚠ CAUTION**

Can cause minor injury or product damage if instructions are not followed.

### **⚠ WARNING**

#### **Electrical Shock Hazard**

Follow these basic precautions:

- Plug into a grounded three-prong outlet.
- Do not remove ground prong.
- Do not use an adapter.
- Do not use an extension cord.
- Disconnect power before servicing.
- Replace all parts and panels before operating.
- Use nonflammable cleaner.
- Keep flammable materials and vapors, such as gasoline, away from refrigerator.
- Use two or more people to move and install refrigerator.

Failure to follow these instructions can result in death, electrical shock, or fire.

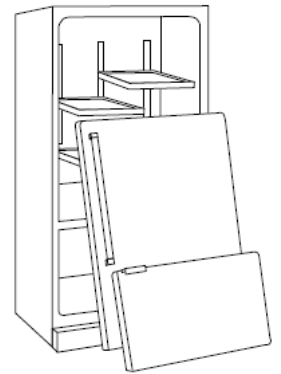
### **⚠ DANGER**

#### **Suffocation Hazard**

Remove doors from old refrigerators. Failure to follow these instructions can cause death or brain damage.

**Important:** Child entrapment and suffocation are not problems of the past. Junked or abandoned refrigerators are still dangerous even if they will sit for a few days. Before you throw away your old refrigerator or freezer, do the following:

- Take off the doors.
- Leave the shelves in place so that children may not easily climb inside.



## Renseignements sur la sécurité

Veillez lire et observer les types suivants de messages de sécurité pour vous assurer que votre réfrigérateur est installé et utilisé de la façon la plus sécurisée possible:

### ⚠ DANGER

Provoque des blessures graves, voire la mort, si les instructions ne sont pas observées.

### ⚠ AVERTISSEMENT

Peut entraîner des blessures graves, voire la mort, si les instructions ne sont pas observées.

### ⚠ MISE EN GARDE

Peut entraîner des blessures légères ou des dommages sur produit si les instructions ne sont pas observées.

### ⚠ AVERTISSEMENT

#### Risque de choc électrique

Observer les précautions de base suivantes

- Brancher l'appareil à une prise triphasée mise à la terre.
- Ne pas retirer la broche de mise à la terre.
- Ne pas utiliser d'adaptateur.
- Ne pas utiliser de rallonge.
- Débrancher l'alimentation avant l'entretien.
- Remettre en place toutes les pièces et tous les panneaux avant d'utiliser le produit.
- Déposer les portes de votre ancien réfrigérateur.
- Utiliser un nettoyant ininflammable.
- Garder les matières et les vapeurs inflammables, comme l'essence, à l'écart du réfrigérateur.
- Deux personnes ou plus doivent déplacer et installer le réfrigérateur.

Le non-respect de ces instructions peut entraîner la mort, un choc électrique ou un incendie.

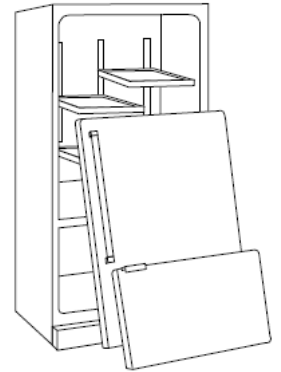
### ⚠ DANGER

#### Risque d'étouffement

Déposer les portes des anciens réfrigérateurs. Le non-respect de ces instructions peut entraîner la mort ou des lésions cérébrales.

**Important:** Le coincement et l'étouffement des enfants ne sont pas des problèmes du passé. Les réfrigérateurs mis au rebut ou abandonnés restent dangereux même s'ils doivent reposer pendant quelques jours. Avant de jeter votre ancien réfrigérateur ou congélateur, observez les consignes suivantes:

- Déposer les portes.
- Laisser les étagères en place pour que les enfants ne puissent pas grimper facilement à l'intérieur.



## Site Preparation

### Cabinet Opening Dimensions

#### 30" Refrigerator or Freezer

Height: 84" (2134 mm)

Width: 29-5/8" (752 mm)

#### 24" Refrigerator or Freezer

Height: 84" (2134 mm)

Width: 23-5/8" (600 mm)

#### 18" Freezer

Height: 84" (2134 mm)

Width: 17-3/4" (451 mm)

#### 30" Refrigerator with 30" Freezer

Height: 84" (2134 mm)

Width: 59-1/8" (1502 mm)

#### 30" Refrigerator with 24" Freezer

Height: 84" (2134 mm)

Width: 53-1/4" (1352 mm)

#### 30" Refrigerator with 18" Freezer

Height: 84" (2134 mm)

Width: 47-1/4" (1200 mm)

#### 24" Refrigerator with 24" Freezer

Height: 84" (2134 mm)

Width: 47-1/4" (1200 mm)

#### 24" Refrigerator with 18" Freezer

Height: 84" (2134 mm)

Width: 41-3/8" (1051 mm)

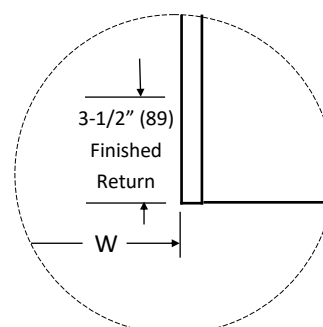
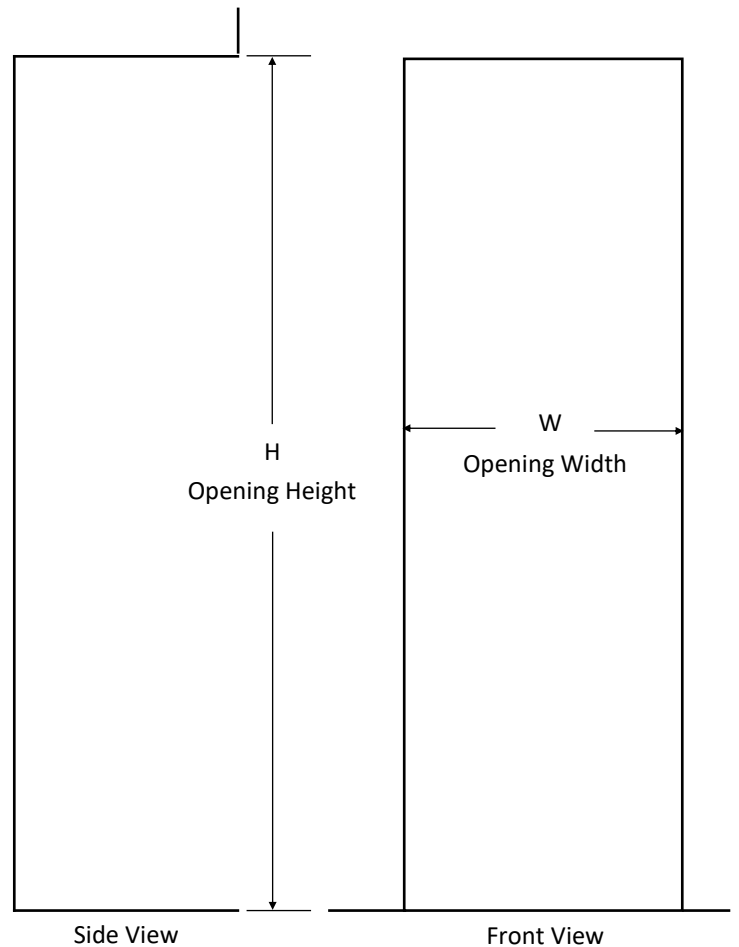
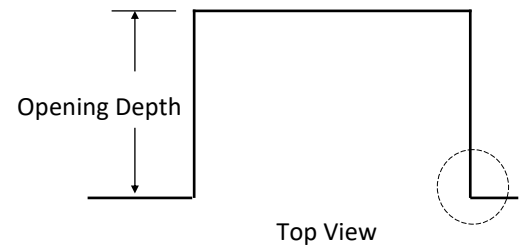
### Cabinet Opening Depth Dimensions

Depth: 24-1/4" (616 mm) minimum plus panel thickness for a panel-ready flush installation. For example, if the panel thickness is 3/4" (19 mm), the minimum depth should be  $24\text{-}1/4" + 3/4" = 25"$  (635 mm). Maximum allowed panel thickness is 1-1/8" (29 mm).

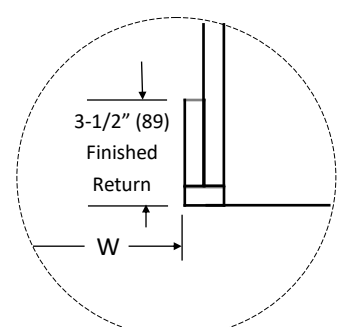
Depth: 25-3/8" (645 mm) minimum for a stainless/painted door flush installation.

Depth: 23-1/4" (591 mm) minimum for a stainless/painted door proud installation.

**Important:** The cabinet enclosure must be securely attached to the kitchen wall to assure the stability of the appliance.



Frameless Cabinetry



Framed Cabinetry

**Important:** 3-1/2" (89 mm) finished returns will be visible and should be finished to match cabinetry.

## Site Preparation

### Electrical

**Location:** The electrical outlet should be located in the area marked "Electrical" in Figure 1\*.

The electrical outlet may also be located in a cabinet adjacent to the enclosure. However, an access hole would need to be created in the back left corner of the enclosure to route the power cord.

**Requirements:** The electrical outlet must be on a dedicated non-GFI AC 110-120V, 60Hz, 15 amp circuit for each appliance and accept a three-prong grounding plug. A dedicated 15A circuit breaker should also be installed and should be easily accessible so that it can be easily switched off before performing any installation or maintenance.

### Plumbing

(For Freezer Models Only)

**Location:** The water line should be located in the area marked "Water" in Figure 1\*.

**Requirements:** The water line must use 1/4" OD copper or PEX tubing and have 36" of excess line. The appliance is provided with a water adapter elbow which is suitable for the recommended water pressure and complies with applicable food and water regulations.

**Water Pressure:** The water pressure must be between 7.25-72.5 psi.

**Important:** The water line cannot be exposed to temperatures below freezing.

Connect the water line to the household water supply with an easily accessible shut-off valve, not a self-piercing valve. Purge the water line before connecting it to the refrigerator. This will remove any debris that may be present.

### ⚠ CAUTION

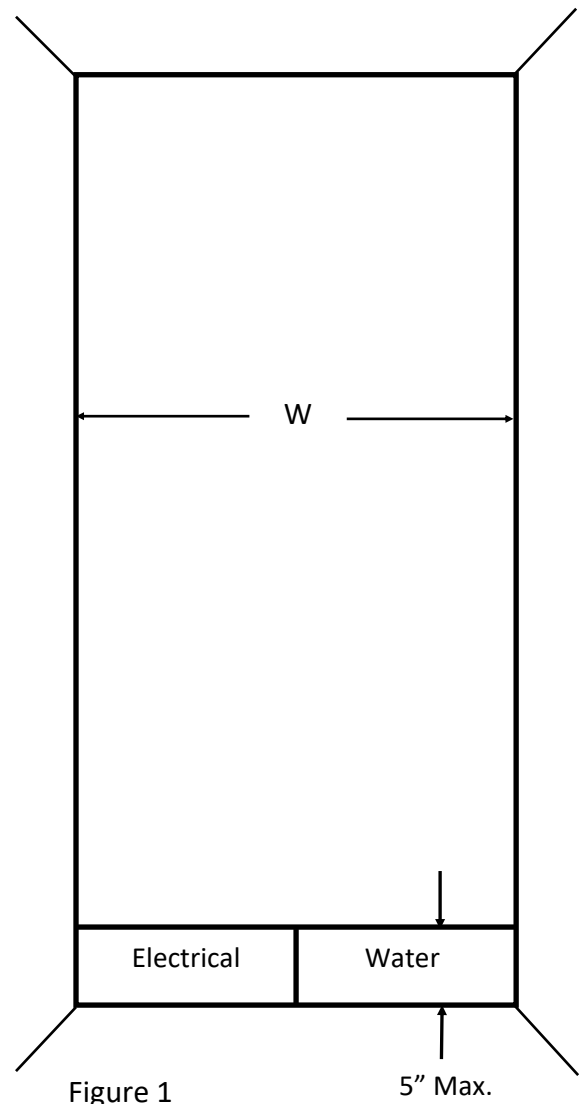
#### Electrical Shock Hazard

Electrical outlet must be checked by a qualified electrician to confirm it meets all applicable electrical codes. Failure to follow these instructions can result in death, electrical shock, or fire.

### ⚠ MISE EN GARDE

#### Risque de choc électrique

La prise électrique doit être vérifiée par un électricien qualifié pour confirmer qu'elle est conforme aux codes électriques applicables. Le non-respect de ces instructions peut entraîner la mort, un choc électrique ou un incendie.



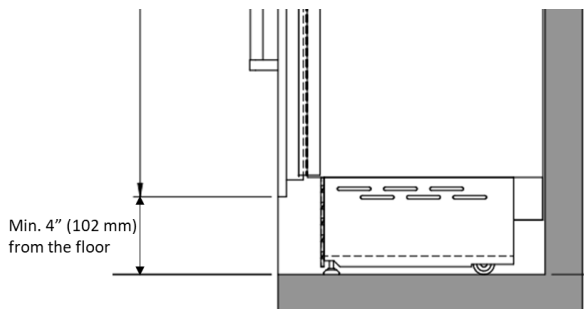
\* Reference the Site Prep Guides for detailed information regarding your specific installation.

## Panel Preparation (Panel-Ready Models)

### Panel Dimensions

Description	Width (1)	Width (2)
18" single Column	17-1/2" (445 mm)	
24" single Column	23-3/8" (594 mm)	
30" single Column	29-3/8" (746 mm)	
18" + 24" joined Columns	17-1/2" (445 mm)	23-1/2" (597 mm)
18" + 30" joined Columns	17-1/2" (445 mm)	29-3/8" (746 mm)
24" + 24" joined Columns	23-7/16" (595 mm)	23-7/16" (595 mm)
24" + 30" joined Columns	23-1/2" (597 mm)	29-3/8" (746 mm)
30" + 30" joined Columns	29-3/8" (746 mm)	29-3/8" (746 mm)

Panel height: 79-7/8" (2029 mm) to match a 4" cabinet toe kick. This is the minimum height from the floor to allow proper ventilation of the appliance. The panel height can be adjusted to match a cabinet toe kick up to 7-3/4" (197 mm) from the floor.



Panel thickness can range from 3/4" (19 mm) to 1-1/8" (29 mm). In the case of a Shaker-style panel the panel may be thinner than 3/4" (19 mm), however, a minimum thickness of 3/4" (19 mm) is required where brackets are screwed to the back of the panel.

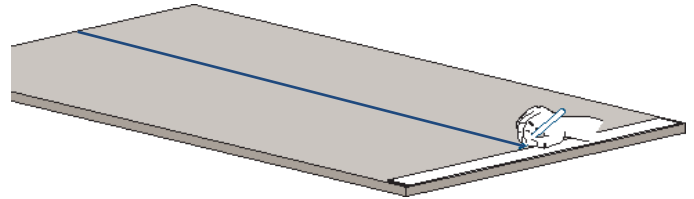
Maximum weight for each panel is 75 lb (34 kg).

The hinging mechanism is considered to be "Zero-clearance". The panel widths specified above assume the minimum enclosure width is being used and a 1/8" (3.5mm) reveal is desired around the panels. Adjust your panel dimensions accordingly to your own design criteria considering your enclosure width and your reveal. Minimum reveal/gap should not be less than 1/16" (1.5mm).

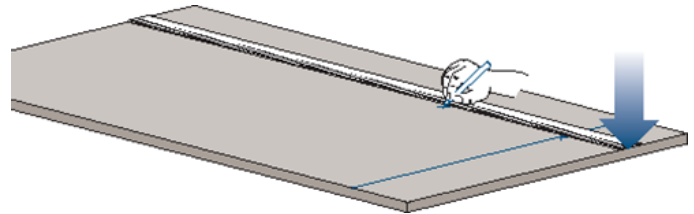
### Prepare the Door Panel

The dimensions of the panels are indicated in the table to the left. Brackets and associated hardware are provided with the product and must be attached to the panel as indicated.

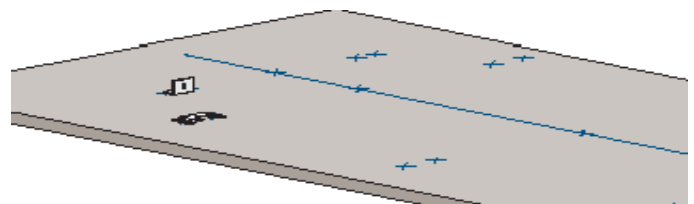
- Draw a vertical center line on the back of the panel from top to bottom.



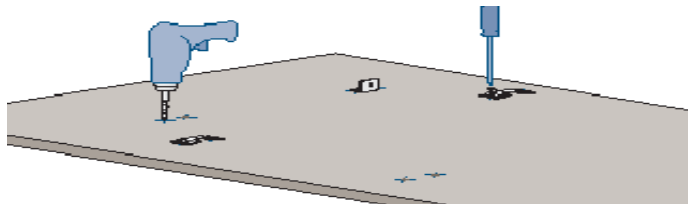
- Mark the location of the holes from the top edge of the panel and vertical center line following the values in the table on the next page.



- Position the brackets on each set of marks and confirm they are aligned. If you choose to drill small pilot holes for the screws, pay special attention to not drill through the thickness of the panel entirely.



- Screw the brackets in place.

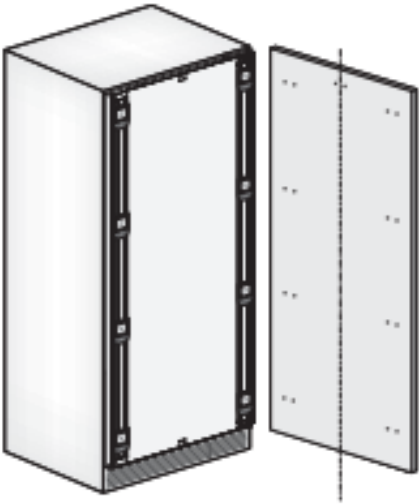


- If using a custom handle, please refer to the mounting instructions for that handle. The handle may need to be installed on the panel prior to installing the panel onto the appliance.



# Panel Preparation (Panel-Ready Models)

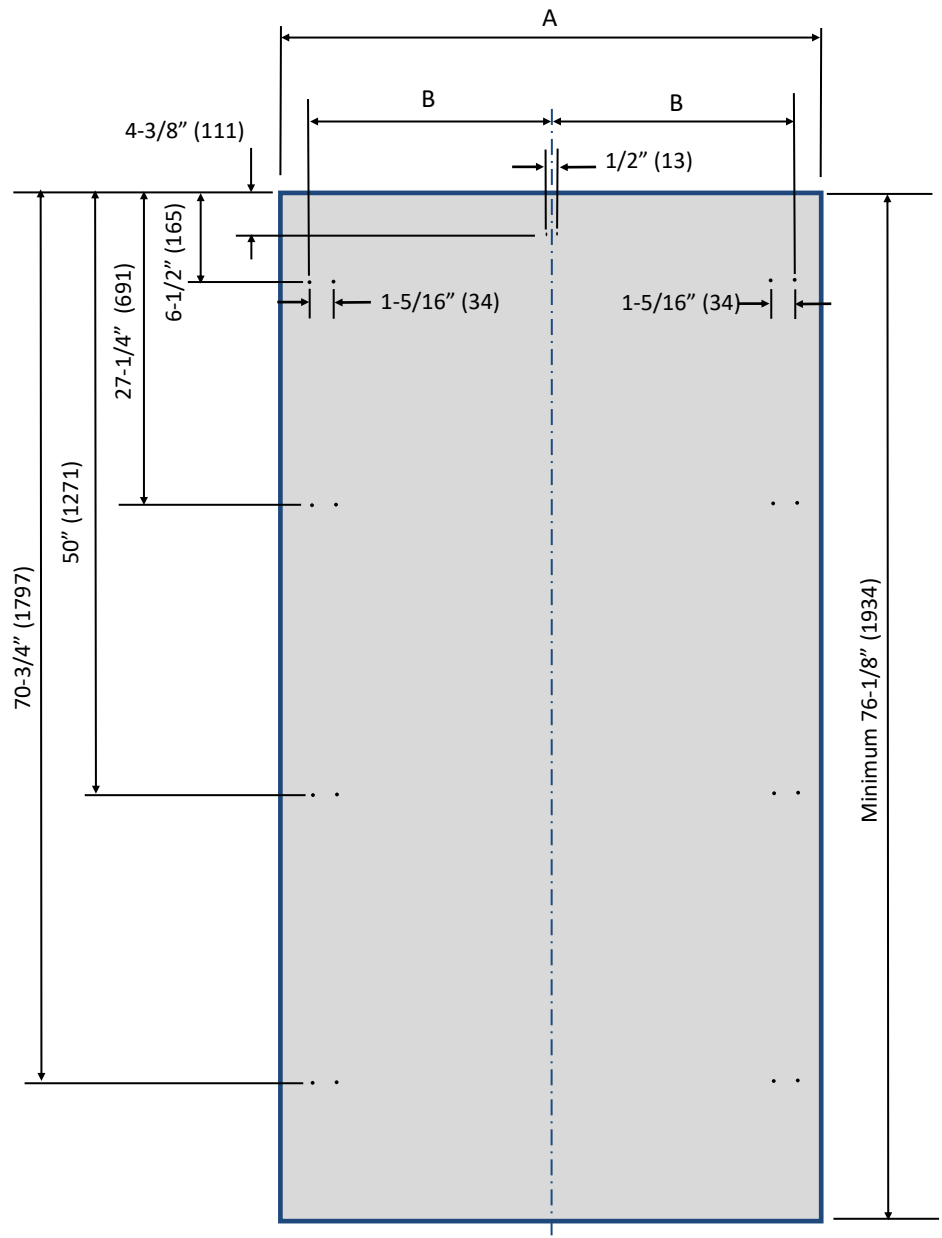
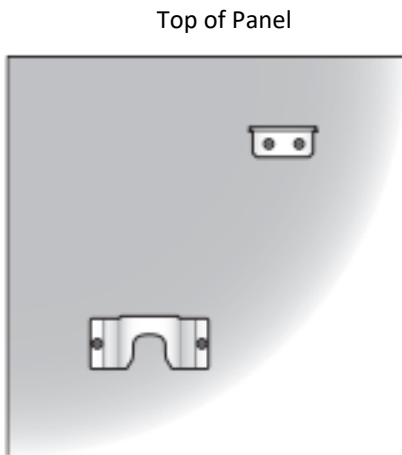
## Panel Hole Mounting Positions



	30"	24"	18"
<b>A*</b>	29-3/8" (747 mm)	23-3/8" (594 mm)	17-1/2" (445 mm)
<b>B</b>	13-1/2" (343 mm)	10-13/16" (275 mm)	7-7/8" (200 mm)

\* "A" dimensions are for a single appliance installation. See page 8 for panel widths for side-by-side appliance installations.

Hole locations. Dimensions in ( ) are mm.



# Installation Instructions

## Tools and Materials

- Mounting kit (included)
- Anti-tipping kit (included)
- Lateral connection kit (included)
- 1/8" hex key (included)
- Rivet tool
- Phillips screwdriver
- Screws to attach brackets (customer supplied)
- Power drill
- 1/8" drill bit (for wood stud wall)
- 5/16" drill bit (for masonry walls)
- Stud finder
- Tubing cutter (for water line)
- 3' of 1/4" OD copper or PEX tubing (for water line)
- Saddle valve (for water line)
- 11/16" (17mm) open end wrench
- 3/4" (19mm) open end wrench
- 1/2" (13 mm) socket
- Level
- Gloves
- Safety glasses

### **WARNING**

#### **Tip Over Hazard**

Product tips easily when not completely installed. Use two or more people to move and install product. Failure to follow these instructions can result in death or serious injury.

### **AVERTISSEMENT**

#### **Risque de renversement**

Le produit pointe facilement lorsqu'il n'est pas complètement installé. Deux personnes ou plus doivent déplacer et installer le produit. Le non-respect de ces instructions peut entraîner la mort ou des blessures graves.

### **CAUTION**

The appliance should always be transported in an upright position. Avoid tipping it onto its front side.

### **MISE EN GARDE**

L'appareil doit toujours être transporté en position verticale. Évitez de le faire basculer sur sa face avant.

- Before transporting the appliance, check access to the location where it will be installed (door size, maneuvering space in stairwells, etc).
- Use a pallet-jack or appliance cart to move the appliance to the installation site before removing the appliance from the pallet. The appliance should always be transported in an upright position. If this is not possible, transport the appliance on its back.

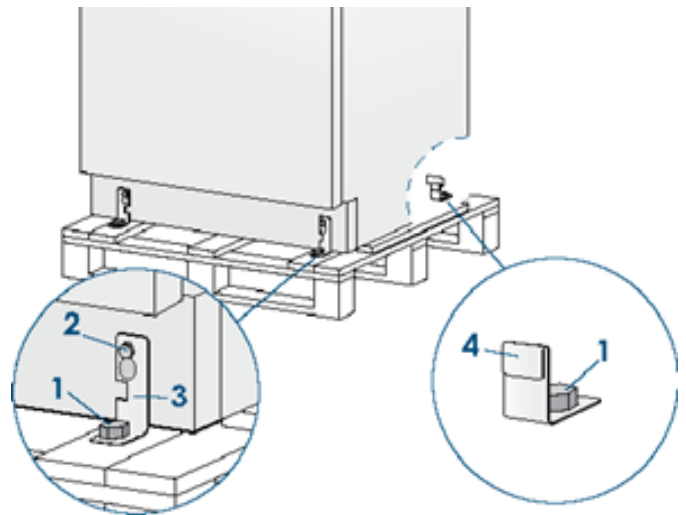
## Step 1 — Uncrate and Inspect Product

- Before starting the installation, uncrate and inspect the product. Remove the packing materials but do not discard the mounting kit, anti-tipping kit, lateral connection kit, joining kit on back of freezer, venting grille, handle pack (if ordered) and associated hardware.

## Step 2 — Remove Wood Pallet

**Important:** Delicate floors should be protected with plywood, hard-board or similar material panels.

- Remove the wood pallet by removing the four shipping bolts (1) with an appropriately-sized wrench or socket. Discard the shipping bolts.
- Remove the front and rear shipping brackets (3, 4). For the front bracket (3), the rear wheel adjusting bolt (2) may need to be loosened with a 1/2" (13 mm) socket or wrench. Avoid over-torquing this bolt at its stop points so as to not damage the rear leveling system.



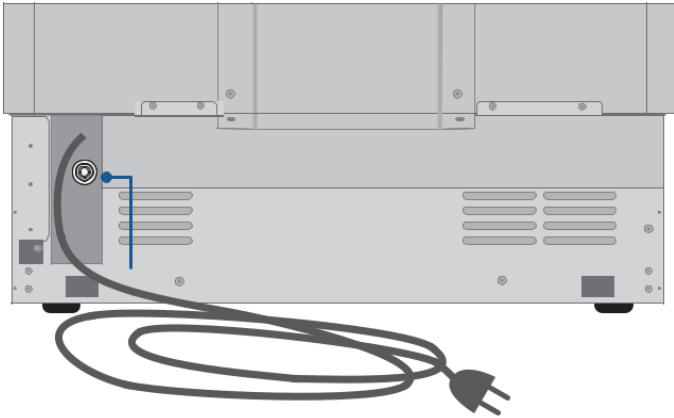
- Retract the front leveling feet with a 11/16" (17 mm) open end wrench.
- From the back of the appliance using a suitable, heavy-duty appliance dolly, take the appliance off the pallet and place it on the floor.

## Installation Instructions

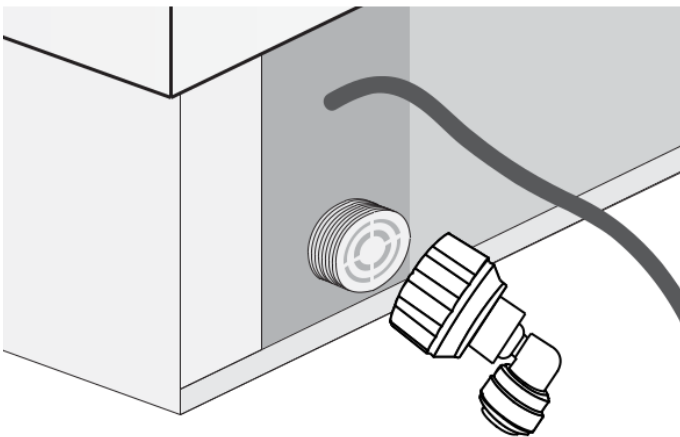
- Roll the appliance(s) into position near the kitchen enclosure, allowing enough space to work behind the appliance(s) for connecting the utilities and in the case of multiple appliances, the joining kit.

### Step 3 — Hook Up Electrical and Water

- Unwind the power cord and connect it directly to the wall socket.

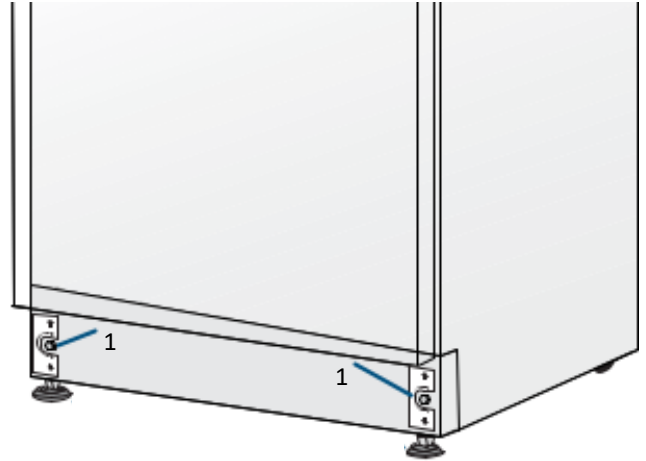


- Make sure the appliance is in the stand-by condition and that all lights are off; if necessary, press the Power button to switch it off.
- For Freezer Models: Connect the household water line to the 1/4" quick connector elbow adapter supplied with the product.
- Thread the elbow adapter onto the water valve on the back of the appliance. Firmly tighten with fingers. A tool should not be needed to make a proper seal. Turn on the water and ensure all connections are not leaking prior to pushing the appliance into the enclosure.



### Step 4 — Level the Appliance

- Adjust the height of the rear wheels by turning the front adjusting bolts (1) clockwise (raise) or counter-clockwise as required.

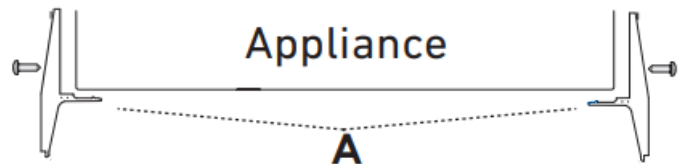


**Important:** Take care if using a power driver for the rear leveling wheels. Reduce the torque setting to prevent damage to the leveling mechanism.

**Important:** Do not make large adjustments to just one foot or wheel by itself as the appliance will become unstable. Make small adjustments to each foot and wheel location as you go.

### Step 5 — Attach Plastic Connecting Brackets

- Using the screws already installed in the sides of the appliance, attach the plastic connecting brackets (A) to the sides of the appliance.



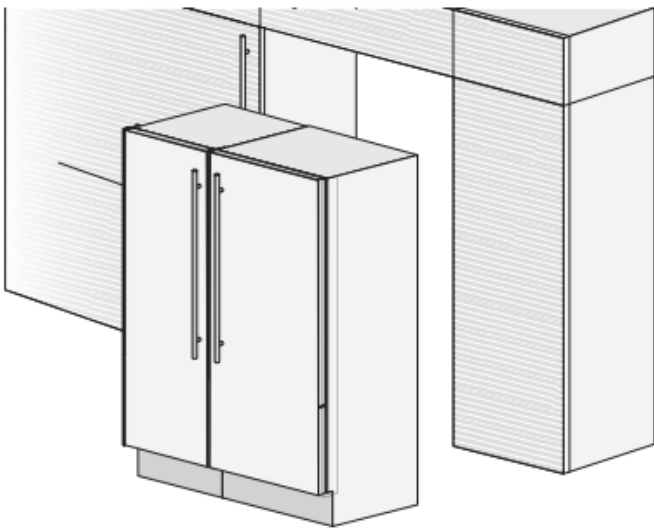
## Installation Instructions

If not installing appliances side-by-side, please skip to Step 7 on page 13.

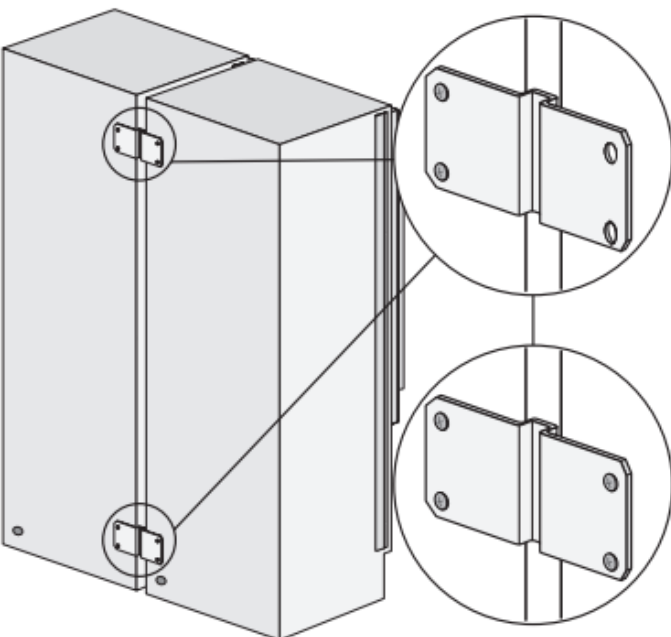
### Step 6 — Side-by-side Installation of Two Appliances

**Important:** There is no need for a heater kit between the appliances.

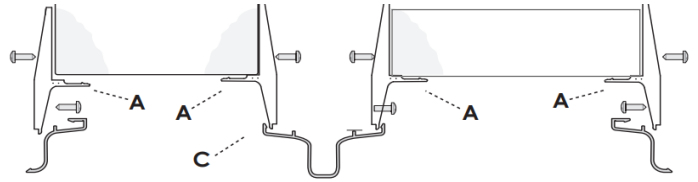
**Important:** The appliances must be level with one another to allow the joining brackets to line up.



- Attach the joining brackets to the back of the appliance that are included with the freezer column using the appropriate screws and washers that are also included.



- Next join them at the front connecting each pair of plastic brackets (A) with the supplied rivets using a rivet tool. If a rivet tool is not readily available, an alternate method is to use a #4x.312 long (M3x8mm) bolt and nut to be supplied by the customer.
- Complete the installation of the center joining kit by attaching the central profile cover (C) that is included with the freezer column onto the plastic brackets by pushing it until a “click” is heard.



#### ⚠ WARNING

Appliances will be front-heavy and may tip before they are secured to the adjacent enclosure wall.

#### ⚠ AVERTISSEMENT

Les appareils seront lourds à l'avant et peuvent basculer avant d'être fixés à la paroi adjacente de l'enceinte.

## Installation Instructions

### Step 7 — Install Anti-Tipping Safety Brackets or Rear Wall Blocking

#### ⚠ WARNING

To avoid danger of the appliance tipping over it is mandatory to secure the appliance to the wall by means of the two provided brackets, or if the brackets are not accessible, by means of a wood block at the rear wall of the enclosure.

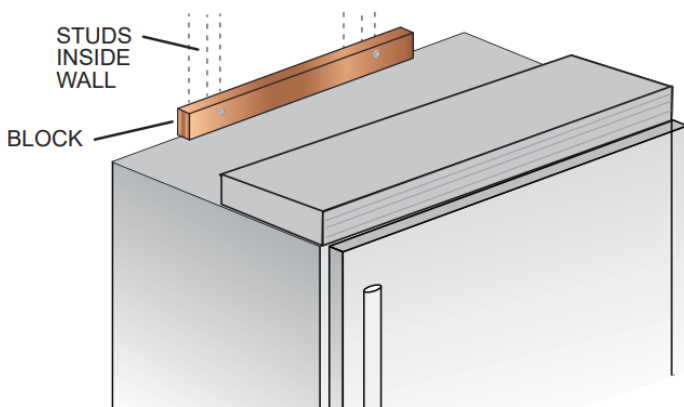
#### ⚠ AVERTISSEMENT

Pour éviter tout risque de basculement de l'appareil, il est obligatoire de fixer l'appareil au mur au moyen des deux supports fournis, ou si les supports ne sont pas accessibles, au moyen d'un bloc de bois sur la paroi arrière de l'enceinte.

**Important:** If the top of the appliance is not accessible after it is installed due to the design of the cabinetry/enclosure, install the wood blocking now. If the top of the appliance is accessible, install the anti-tip brackets provided with the appliance as described in Step 11.

### Rear Wall Blocking

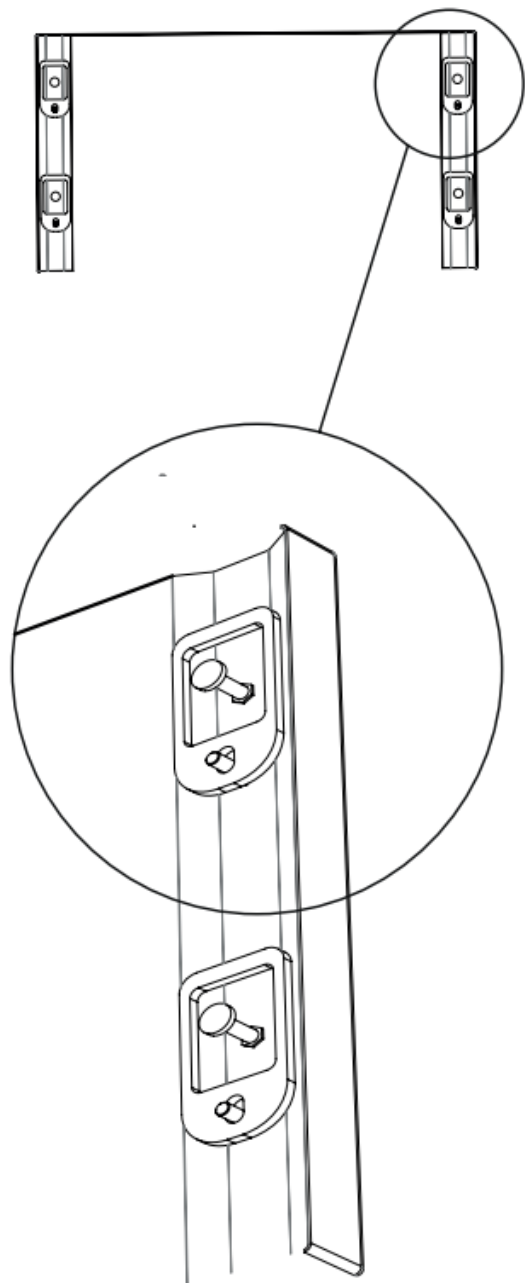
Place the block about 1/8-1/4" [3-6mm] above the final height of the rear of the appliance. For an 84" installation opening, this would be 81-3/8 to 81-1/2" from the floor. Blocking should be a minimum thickness of 3" (76 mm) from the back wall. Attach with appropriate fasteners into the wall studs. Drywall anchors / toggle bolts are not recommended and can rip out of the wall.



When the appliance is moved into its final position and the legs adjusted, the top of the appliance can make contact with the bottom of the wood block, thus securing the appliance from tipping.

### Step 8 — Install Shoulder Bolts and Set Screws (Panel-Ready Models)

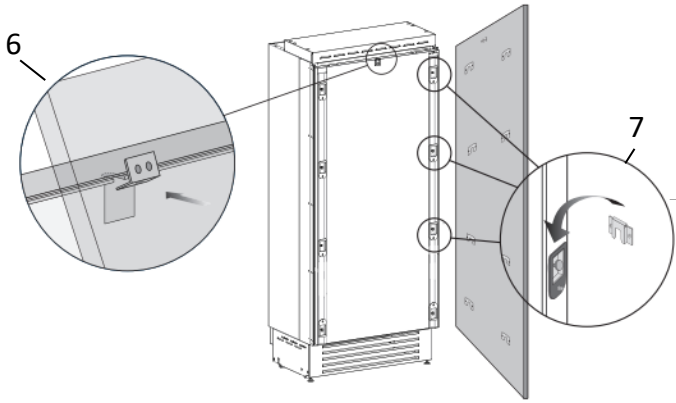
- Prepare the appliance door for panel mounting by threading the shoulder bolts into the recessed threaded hole and the set screws into the other hole as shown below. Ensure the end with the hex key socket is accessible from the inside of the door and not from the outside. Thread the set screws in far enough that they are flush with foam surface on the appliance door exterior face so as not to interfere with hanging the panel. You will adjust these later from the inside of the door.



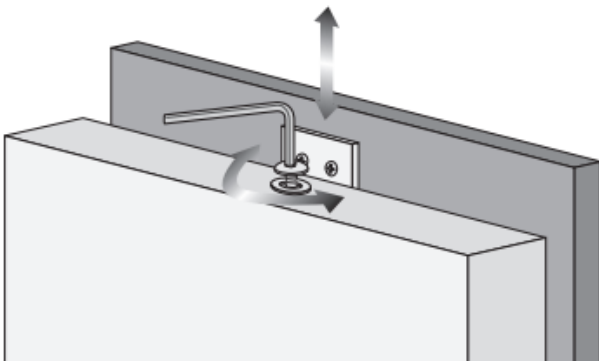
# Installation Instructions

## Step 9 — Install Panel (Panel-Ready Models)

- Align the top center bracket on the panel with the recessed pocket in the door (6). Hook the panel brackets onto the shoulder bolts (7).



- Install the included screw and washer into the threaded hole on the top center bracket. This screw will be used later to adjust the vertical location of the panel after the appliance is installed into the kitchen opening.

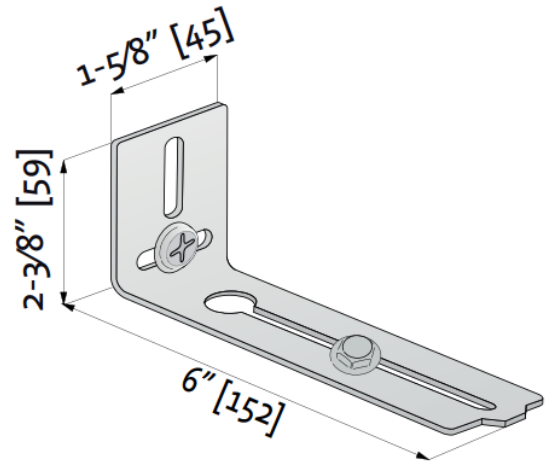


- Check the level of the appliance(s) and fit to surrounding cabinetry. If the kitchen enclosure is 84" (2134 mm) tall, the appliance(s) will need to be raised significantly. Using a 11/16" (17 mm) wrench for the front leveling feet and a 1/2" (13 mm) socket for the rear leveling wheels, raise the appliance(s) to fit the opening.

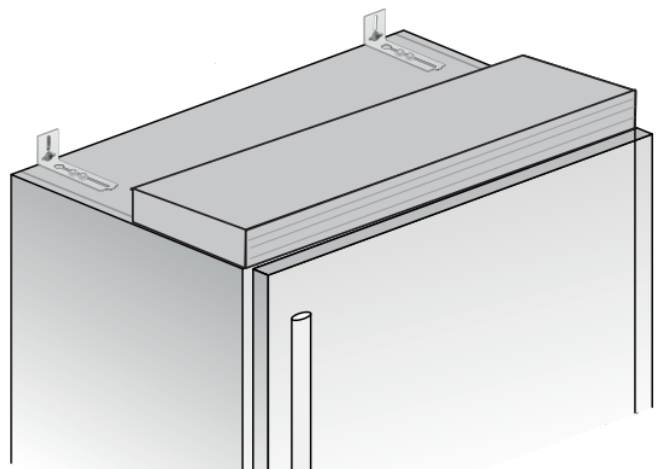
**Important:** Do not make large adjustments to just one foot or wheel by itself as the appliance will become unstable. Make small adjustments to each foot and wheel location as you go. This is especially true on side-by-side installations where the appliances need to stay level to one another.

## Step 11 — Install Anti-Tip Brackets

- When using the provided anti-tip brackets, they should be applied as illustrated using the provided screws and wall anchors.



- Find the mounting holes on top of the appliance, and determine how the bracket must align with the wall.



## Step 10 — Move Appliance(s) Into Position

### ⚠ WARNING

Appliance will be front-heavy and may tip before it is secured to the adjacent enclosure wall.

### ⚠ AVERTISSEMENT

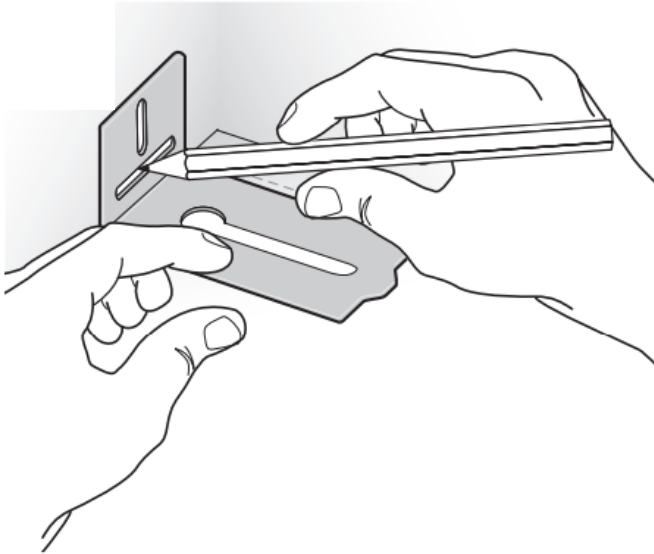
L'appareil sera lourd à l'avant et peut basculer avant d'être fixé à la paroi adjacente de l'enceinte.

- Roll the product into the cabinet opening, ensuring the water line and the power cord do not interfere.

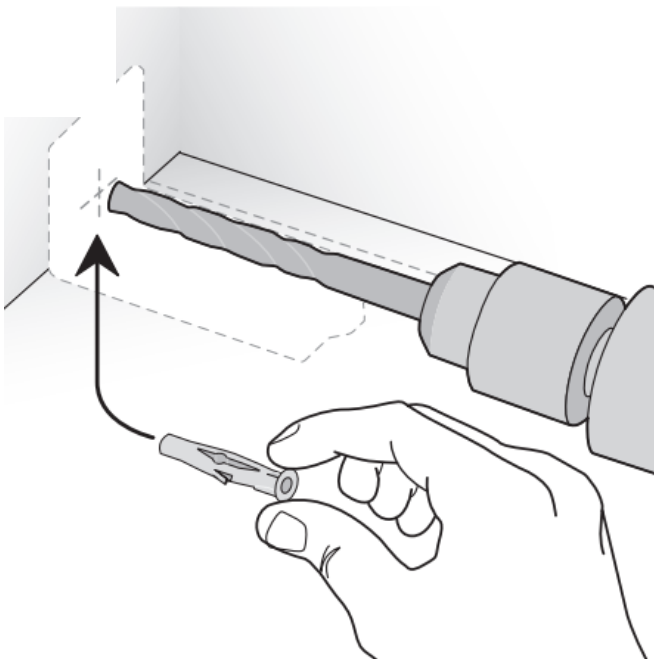
## Installation Instructions

---

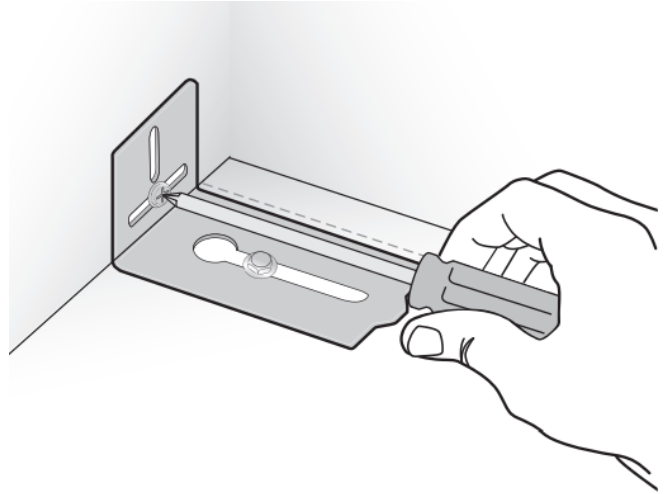
- Mark the wall where the holes are needed.



- For a concrete block wall or 3/4" plywood wall, drill the wall with a 5/16" [8 mm] bit and insert the wall anchor. For a stud wall, drill a 1/8" (3 mm) pilot hole.



- Reposition the bracket and secure it first to the appliance, then to the wall.



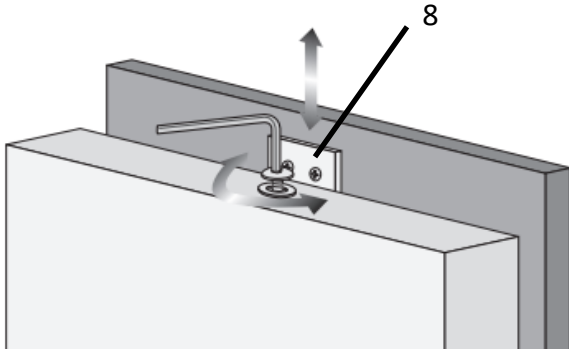
### In addition, it is required:

- The plastic connecting brackets must be screwed to the cabinets at all provided attachment points as described on page 16, Step 13.
- When two appliances are installed together, the anti-tip brackets are required for each of them.
- The cabinet enclosure must be securely attached to the wall to assure the stability of the appliance.

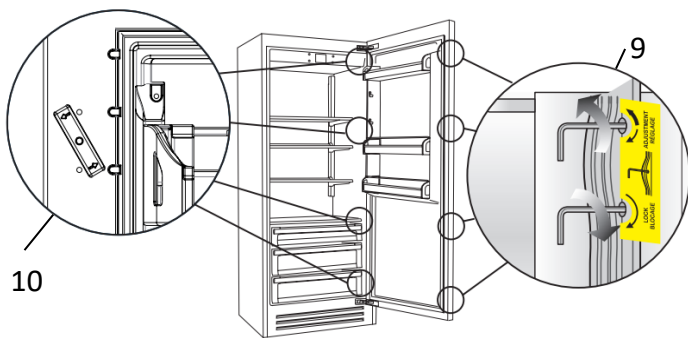
## Installation Instructions

### Step 12 — Adjust Panel (Panel-Ready Models)

- The panel can be adjusted side-to-side at this point to obtain consistent gaps.
- To adjust the vertical position of the panel after the appliance(s) are installed into the kitchen opening, tighten or loosen the screw in the top center bracket using the supplied hex key to raise or lower the panel (8).



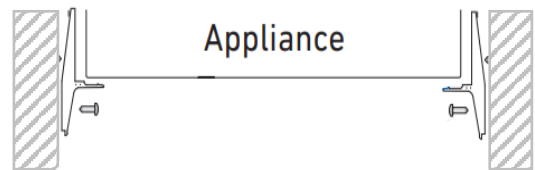
- Adjust the panel depth relative to the face of the cabinetry. Working from inside the door, lift the magnetic seal from the handle side of the door (9) and rotate the plastic covers on the hinge side of the door (10) to expose the holes that contain the shoulder bolts and set screws. Using the included hex key, adjust the panel position in the Z-direction by adjusting the shoulder bolts.



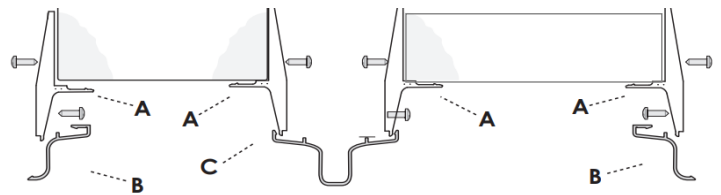
- If the gaps around the panel become inconsistent during the panel depth adjustment, loosen the shoulder bolts and set screws to allow the panel to be adjusted side-to-side.
- Lock the panel location in place by tightening the set screws against the back side of the panel.
- Once the panel is aligned, reinstall the magnetic seal and confirm the door is closing correctly to avoid operational issues.

### Step 13 — Attach Appliance(s) to Surrounding Cabinetry

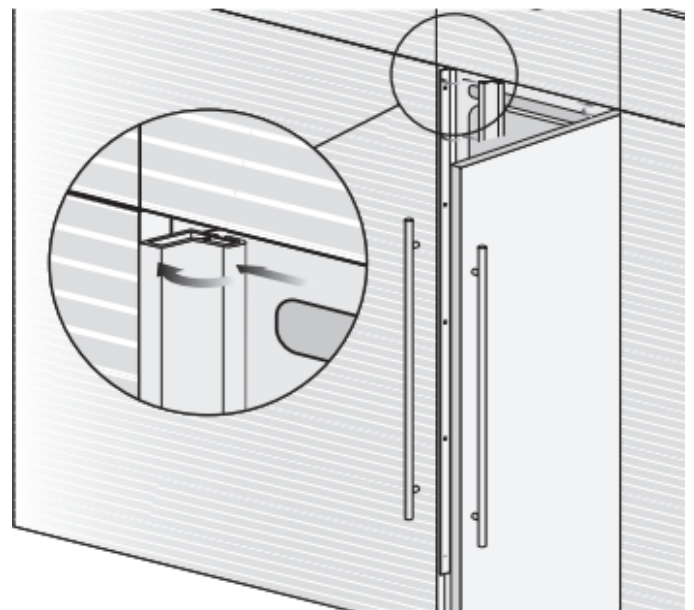
- After leveling the appliance(s) and checking fit of the panel(s) or door(s) to surrounding cabinetry, secure the appliance to the adjacent cabinets by driving screws through the plastic connecting brackets. Screws should be provided by the customer. Keep the door open to ease access to the screws.
- Attach the plastic profiles (B) to the plastic connecting brackets (A). First insert them laterally and then push firmly until a “click” is heard.



Single appliance installation



Side-by-side appliance installation





# Installation Instructions

## Step 14 — Attach Door Handle

A BlueStar handle is provided with stainless door models, but must be ordered separately for panel-ready models.

- The handle and nameplate kit is located in protective packaging taped to the back of the appliance.
- It is recommended that two people work together to install the handle.
- Ensure handle mounting studs are threaded finger-tight to the face of the door.



- Slide handle endcaps onto the handle mounting studs. If the set screw interferes, back out set screw to allow endcaps to slip over handle mounting studs.



- Position handle to face of door and with provided hex wrench tighten set screw in top endcap first, then tighten set screw in bottom endcap.

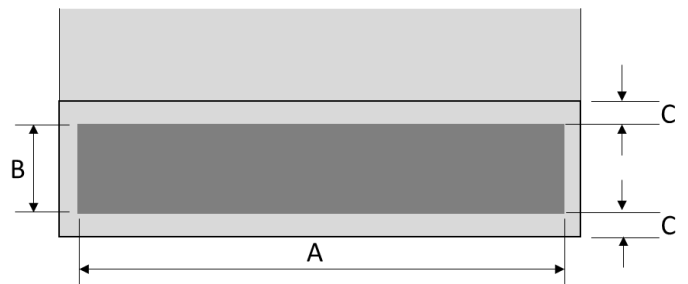
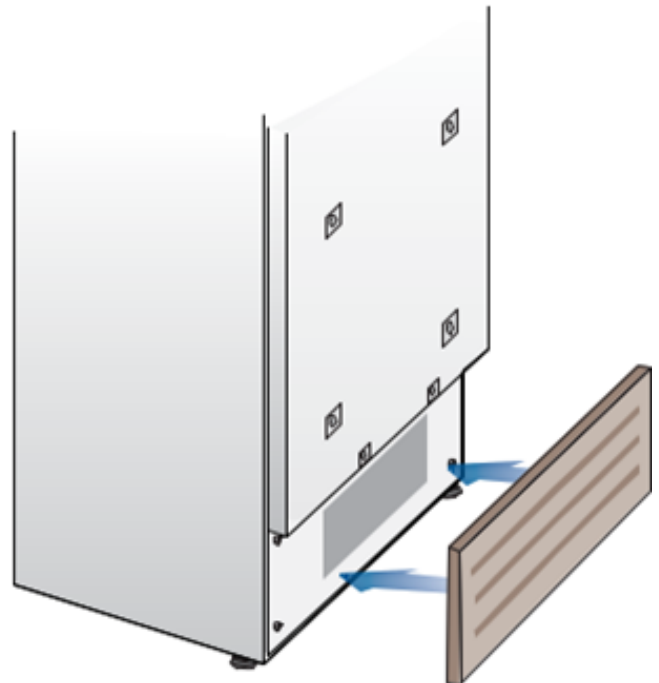


## Step 15 — Attach Venting Grille

A forced air system assures ventilation through a grille positioned in the lower front part of the appliance. Each BlueStar Column comes with a 8-1/2" (216 mm) tall stainless steel grille.

**Important:** If using a custom grille, it has to be ventilated with holes. Holes can be in any shape and size, as long as the total area equals 50% of the area defined by dimensions "A" and "B" below.

It is imperative that the grille remain unblocked to ensure proper functionality of the appliance and should be removable to allow for servicing and condenser cleaning.



	18"	24"	30"
A	16-1/8" (410 mm)	22" (559 mm)	27-15/16" (710 mm)
B	> 4" (100 mm)		
C	3/8" (10 mm)		

## Testing and Initial Startup

---

### Final Checklist

- Check that the connection to the water system does not have any leaks and that the valve is easily accessible.
- Check that the electrical connection is correctly installed and that the circuit breaker is identified/marked for later use.
- Check that the appliance is level and aligns with adjacent cabinets.
- Check that the anti-tip brackets are secure, and the side connectors are secure with trim in place.
- Check that all adhesive tape and external or internal temporary protective packaging have been removed.
- Check the perfect closing of the doors and the smooth sliding of the drawers and shelves.
- If the appliance has an ice maker, make sure the water filter cartridge is installed. (Unless filtered water is being provided to the appliance.) The water filter is located behind a magnetically attached cover on top of the freezer. Follow instructions provided with the water filter cartridge to install the filter.

### Initial Startup

Once the appliance is plugged in, the display will show the BlueStar logo, a brief info screen, then go dark.

Turn the appliance ON by pressing the Power button for three seconds. The display will show a BlueStar logo, then the message "Initial test, please wait..." for 2-3 minutes. After this phase the compressor will start up and remain on until the default temperature (set at the factory) is reached. Allow ample time for the refrigerator to reach this temperature before loading any items (6-12 hrs). During this time, deactivate any error messages by pressing the Alarm button.

### Ice Maker (Freezer Models only)

Make sure that the water filter cartridge is properly installed, and the appliance is connected to the water source. Purge air from the water lines by performing the 'Manual Clean' function from the Menu->Functions->Water Filter options. You may need to complete this sequence several times until you stop hearing air sputtering from the ice maker fill tube (Refer to your Use & Care Manual). Place a small tray or bowl inside the ice bin, under the ice maker tray to catch any water during the purge cycle. Once the system is purged of air, switch the ice maker on by touching the ice maker button which will illuminate.

If the appliance has previously started the cooling process prior to the first start-up, it is normal for the Stand-By message to not appear and for other messages to appear, such as Fridge too warm, Freezer too warm, or audible alarm sounds. If this is the case, deactivate acoustic signals by pressing the Alarm button, close the door and wait until the set temperature is reached.

For further information about the appliance operation, refer to the User Manual.



