

Use & Care Manual



BLUESTAR[®]

Column Refrigerator & Freezer

Thank You and Welcome

Thank you for your purchase and welcome to the BlueStar® family!

BlueStar® appliances are designed for discerning home chefs who demand restaurant-quality results in their own kitchens. As the owner of a new BlueStar® appliance you can look forward to years of precise and even cooling in your home kitchen.

Here are a few tips to get started:

1. Review this Use & Care Manual, which includes instructions and tips for getting the most out of your new appliance.
2. Register your product online at www.bluestarcooking.com/support/product-registration to stay in touch and allow us to send you valuable product news and updates.
3. Review our products and help us spread the word at <https://www.bluestarcooking.com/inspiration/reviews>. We'll send you some BlueStar gear to thank you for your time.

Thank you again for choosing BlueStar®.

The BlueStar® Team

Proudly Producing Quality Kitchen Appliances in the U.S.A. since 1880.

Contents

Safety Information	4
Refrigerator	6
Freezer	7
Electronic Control	
— Main Options and Temperature Settings	8
— Functions	9
— Settings	10
Refrigerator Features	
— Alarms, Service, Pull-Out Tray, and Drawers	11
Freezer Features	
— Replacement Water Filters	12
Operation and Care and Cleaning	13
Troubleshooting	14
Warranty	15

Model Information

The model and serial numbers can be found on the serial plate, which is located inside the product on the side wall. Please complete the information below for warranty purposes and future reference:

Model Number _____

Serial Number _____

Installation Date _____

Dealer's Name _____

Dealer's Phone Number _____

Date of Purchase _____

Register your product online at www.bluestarcooking.com/support/product-registration or call customer service at (800) 449-8691.

If service is required under the warranty, it must be performed by authorized service personnel. BlueStar also recommends using authorized service personnel if service is required after the warranty expires. To locate authorized service personnel in your area, go to www.bluestarcooking.com/support/find-a-service-center or call customer service at (800) 449-8691.

Safety Information

Please read and obey the following types of safety messages to ensure your refrigerator is installed and operated as safely as possible:

DANGER

Will cause serious injury or death if instructions are not followed.

WARNING

Can cause serious injury or death if instructions are not followed.

CAUTION

Can cause minor injury or product damage if instructions are not followed.

WARNING

Electrical Shock Hazard

Follow these basic precautions:

- Plug into a grounded three-prong outlet.
- Do not remove ground prong.
- Do not use an adapter.
- Do not use an extension cord.
- Disconnect power before servicing.
- Replace all parts and panels before operating.
- Use nonflammable cleaner.
- Keep flammable materials and vapors, such as gasoline, away from appliance.
- Use two or more people to move and install appliance.

Failure to follow these instructions can result in death, electrical shock, or fire.

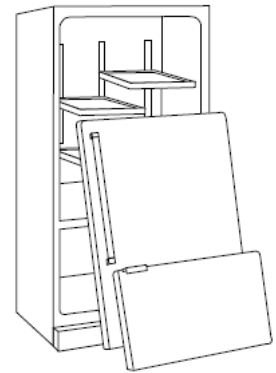
DANGER

Suffocation Hazard

Remove doors from old appliances. Failure to follow these instructions can cause death or brain damage.

Important: Child entrapment and suffocation are not problems of the past. Junked or abandoned appliances are still dangerous even if they will sit for a few days. Before you throw away your old refrigerator or freezer, do the following:

1. Take off the doors.
2. Leave the shelves in place so that children may not climb inside easily.



Renseignements sur la sécurité

Veuillez lire et observer les types suivants de messages de sécurité pour vous assurer que votre réfrigérateur est installé et utilisé de la façon la plus sécurisée possible:

⚠ DANGER

Provoquera des blessures graves ou la mort si les instructions ne sont pas suivies.

⚠ AVERTISSEMENT

Peut causer des blessures graves ou la mort si les instructions ne sont pas suivies.

⚠ MISE EN GARDE

Peut causer des blessures légères ou des dommages au produit si les instructions ne sont pas suivies.

⚠ AVERTISSEMENT

Risque de choc électrique

Observer les précautions de base suivantes

- Brancher l'appareil à une prise triphasée mise à la terre.
- Ne pas retirer la broche de mise à la terre.
- Ne pas utiliser d'adaptateur.
- Ne pas utiliser de rallonge.
- Débrancher l'alimentation avant l'entretien.
- Remettre en place toutes les pièces et tous les panneaux avant d'utiliser le produit.
- Déposer les portes de votre ancien réfrigérateur.
- Utiliser un nettoyant ininflammable.
- Tenez les matériaux et vapeurs inflammables, comme l'essence, à l'écart de l'appareil.
- Utilisez deux personnes ou plus pour déplacer et installer l'appareil.

Le non-respect de ces instructions peut entraîner la mort, un choc électrique ou un incendie.

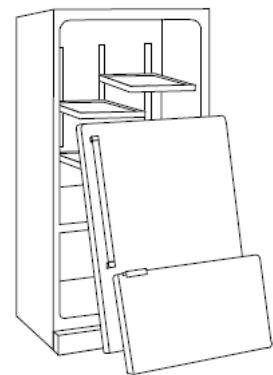
⚠ DANGER

Risque d'étouffement

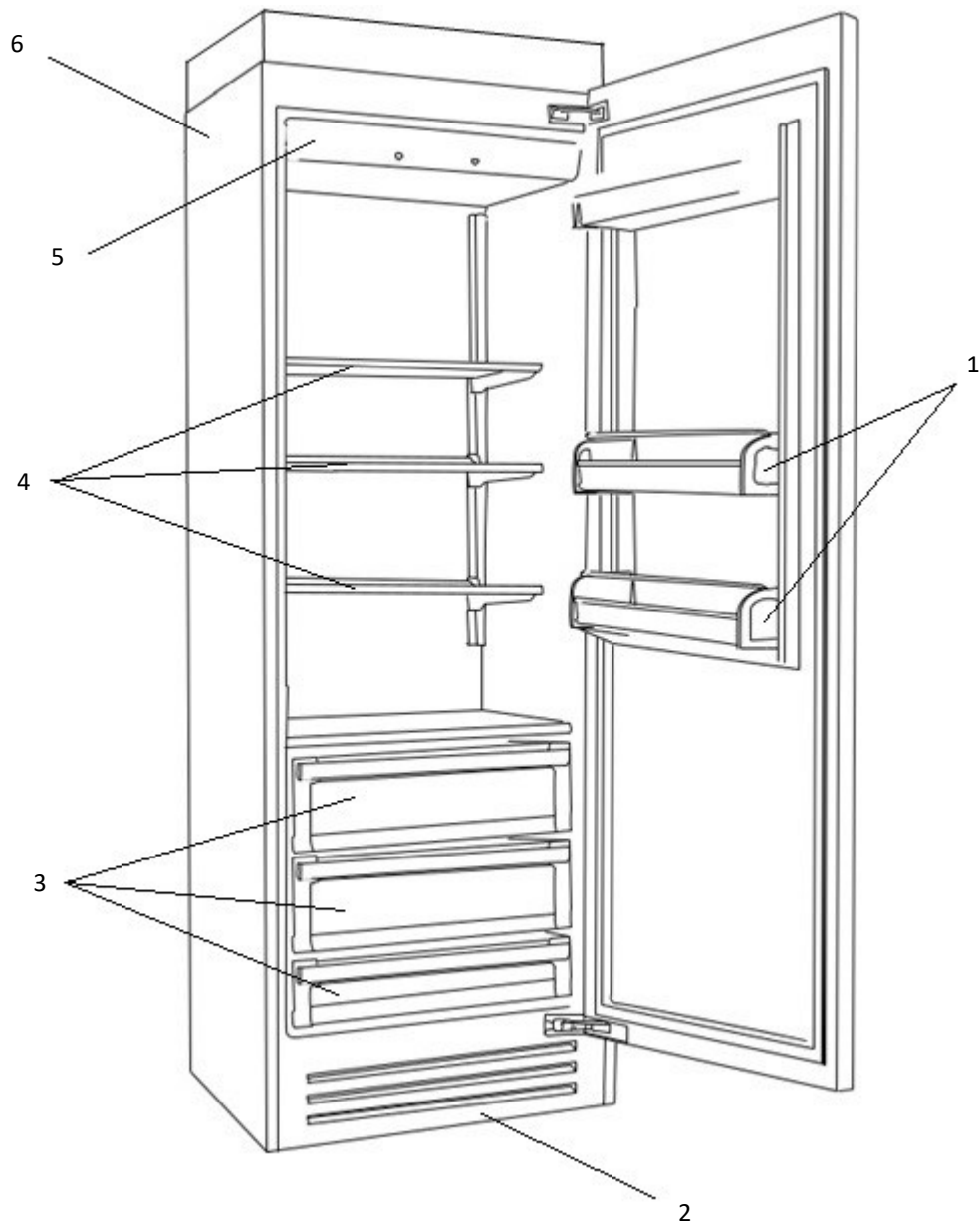
Retirez les portes des vieux appareils. Le non-respect de ces instructions peut entraîner la mort ou des lésions cérébrales.

Important: le piégeage et la suffocation des enfants ne sont pas des problèmes du passé. Les appareils électroménagers en mauvais état ou abandonnés sont toujours dangereux même s'ils resteront assis pendant quelques jours. Avant de jeter votre ancien réfrigérateur ou congélateur, procédez comme suit:

1. Déposer les portes.
2. Laissez les étagères en place afin que les enfants ne puissent pas y pénétrer facilement .



Refrigerator



1 Door Bins

2 Removable Grill

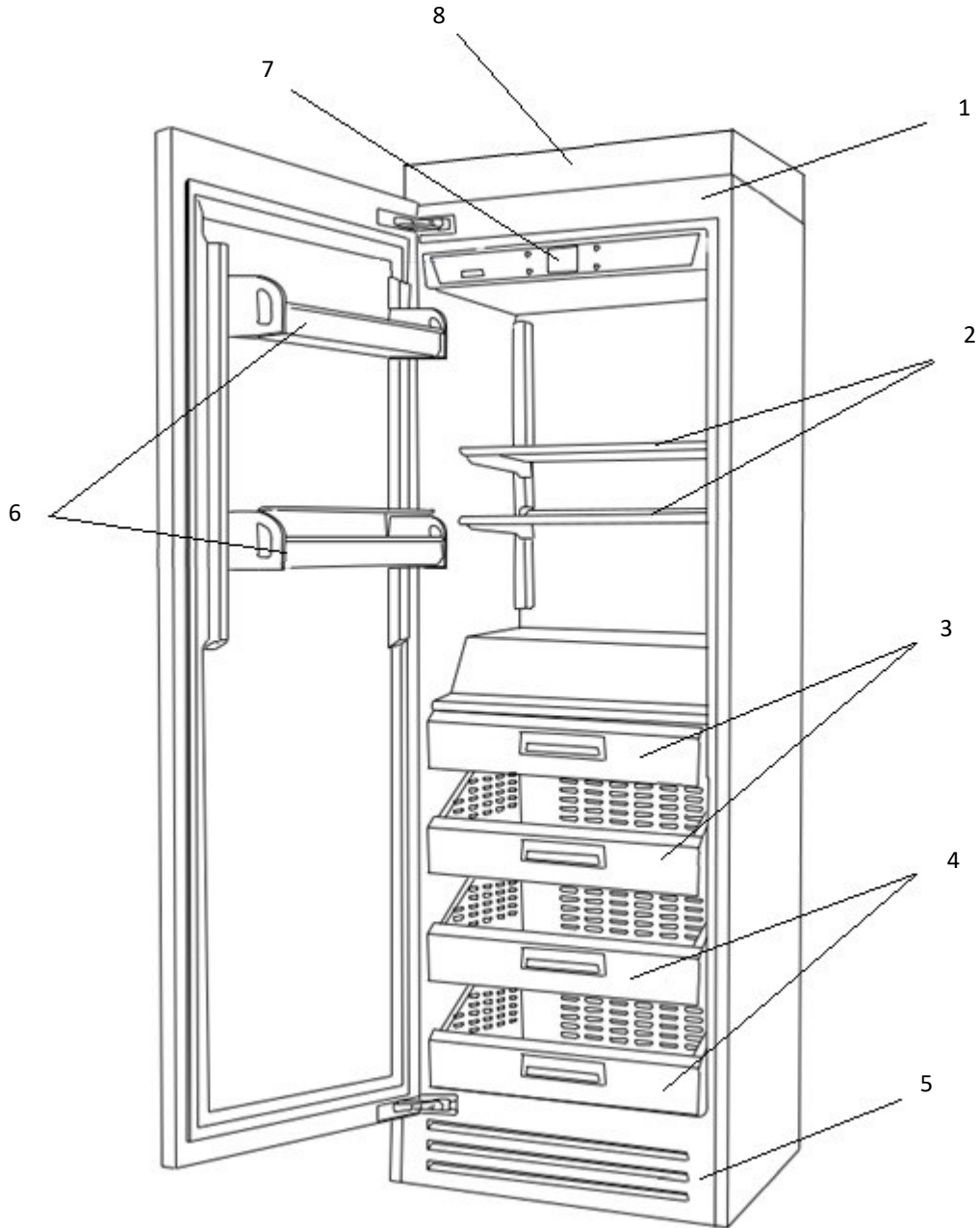
3 Drawers

4 Glass Shelves

5 Electronic Control

6 Stainless Steel Surface

Freezer



1 Stainless Steel Surface

2 Glass Shelves

3 Ice Maker and pan

4 Drawers

5 Removable Grill

6 Door Bins

7 Electronic Control

8 Water Filter

Electronic Control — Main Options and Temperature Settings

Home Screen

Displays the internal temperatures.



Main Options

Swipe right or left to access the main options.



Power

Toggles the product on or off. When turning the product on, the product will go into an initial test mode that will last several minutes. When turning the product off, there will be two confirmation requests to prevent the product from being turned off accidentally.



Home

Press to return to the home screen.



Alarm

Press to toggle the alarm on or off and displays the alarm tone functions.



Back

Accesses the settings options.

Change Temperature Setting

The recommended freezer factory setting is 0° F (-18° C), and can be set between -9° F and 8° F (-23° C and -13° C).

The recommended refrigerator factory setting is 37° F (3° C), and can be set between 36° F and 46° F (2° C and 8° C).

Press the temperature icon (thermostat for the refrigerator or snowflake for the freezer). Scroll up to add to or scroll down to subtract from the set temperature. Press the number, then press **OK** to confirm. For example, if the temperature is set at 36° F (2° C), press the +2 to change it to 38° F (3° C).

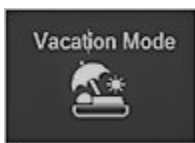
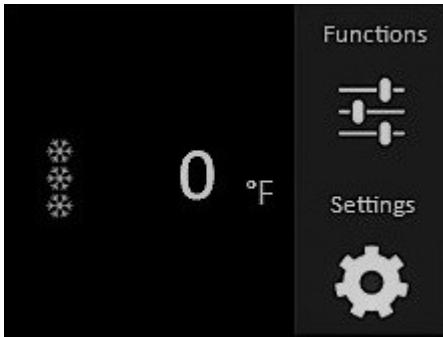
Padlock

Press the padlock to open (unlock) access to the temperature control. When the padlock is closed, it is locked to prevent you from changing the temperature setting.



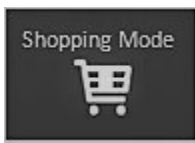
Electronic Controls — Functions

Press **Functions** to access the icons on this page.



Vacation Mode

This is recommended for prolonged absences to reduce energy usage. Program the duration for up to 90 days or manually deactivate. This remains active even when there is a prolonged power outage.



Shopping Mode

Lowers the product temperature for up to 12 hours. Press **Yes** to confirm the selection. After the set amount of hours, the temperature returns to the original set temperature.



Rapid Bottle Cooler (Freezer Only)

Sets a timer to cool off beverages quickly, inside the freezer compartment, for up to 45 minutes. A sound will beep when the time passes. After removing the beverages, press **Alarm** to deactivate the sound.

⚠ WARNING

Placing glass containers in the freezer could cause the container to rupture and cause damage or injury.

⚠ AVERTISSEMENT

Placer des récipients en verre dans le congélateur pourrait provoquer la rupture du récipient et causer des dommages ou des blessures.



Ice Maker (Freezer Only)

Provides several options for ice. Scroll right to press the preferred option, then press **Yes** to confirm the selection.



Ice Maker On/Off (Freezer Only)

Toggles the ice maker off or on.



Set Cube Size (Freezer Only)

Changes the size of the ice cube. Press this, then press **Medium** or **Large** for the ice cube size.



Superice (Freezer Only)

Increases the ice production to as much as 3.3 lbs (1.5 kg) per day. Press this, then press **Yes** to confirm.



Water Filter (Freezer Only)

Toggles the countdown reminder on or off and resets the reminder. Scroll right to press this, then press **On** to confirm. Press **Yes** to enable the countdown reminder. The screen will indicate the number of days remaining. Press **Off** to disable the countdown or press **Reset** to reset it, then press **Yes** to confirm.



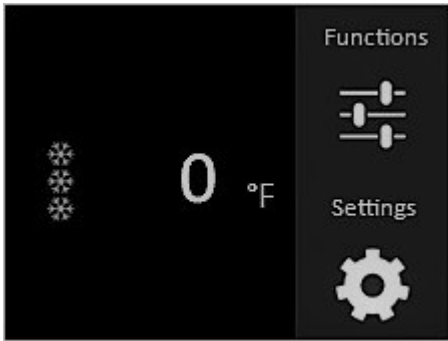
Water System Purge (Freezer Only)

Purges the water filter system. Scroll right to press this, press **Yes** to confirm, then press **OK** to start the cleaning. Once the cleaning is done, press **OK** to reset the screen.

Important: At initial installation, or if ice production was disabled or unused for a long period, it is recommended to perform a water system purge function. Turn off the ice maker before proceeding.

Electronic Controls — Settings

Press **Settings** to access the icons on this page.



Date

Sets the day, month, and year. Press this, then scroll up or down to select the year, the month, then the date. Press **OK** to confirm.



Time

Sets the time of day. Press this, select 12- or 24-hours to set the format, then scroll up or down to select the hour, then the minutes. Press **OK** to confirm.



°C/°F (Celsius or Fahrenheit)

Changes the temperature scale. Press this, then scroll up or down to select Fahrenheit or Celsius. The selected scale is then lit.



Language

Sets the display language. Press this, then scroll up or down to select the language. Press **OK** to confirm.



Sabbath

Toggles Sabbath mode on or off. Press this, press **Yes** to enable the Sabbath mode, then press **Yes** again to confirm. When turning off the Sabbath mode off, the product will return to the initial test..



Reset

Resets the electronic icons back to factory settings. Press this, press **Yes** to reset the factory settings, then press **Yes** again to confirm.



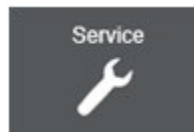
Demo Mode (for dealers only)

Toggles Showroom mode on or off. Press this, enter "1 2 3 4" for the password, then press **ON** to activate the demo mode or press **OFF** to deactivate the mode.



Maintenance

Toggles the reminder to clean the condenser. Press this, press **Yes** to set the reminder, then press **Yes** to confirm. The display will show the time remaining before the next cleaning is required.



Service

For authorized service personnel only.



Info System

Displays current software and firmware versions.

Refrigerator Features — Alarms, Service, Pull-Out Tray, and Drawers

Door Alarm

Beeps when the refrigerator or freezer door is open longer than three minutes and a warning message displays. Shut the door to stop the alarm.

High Temperature Alarm

Beeps when either temperature is too warm and a warning message is displayed.

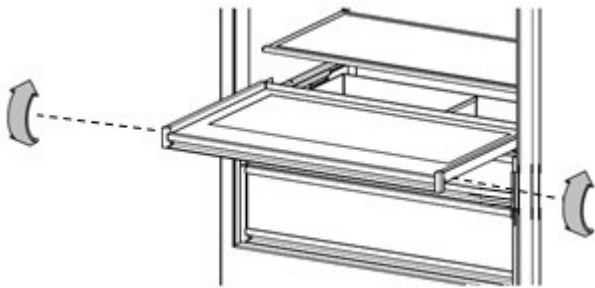
Service

The electronic control manages the refrigerator operating system. When there is an issue with this, a “Call for Service” message and flashing dashes will display. Call customer service at (800) 449-8691 for service.

Pull-Out Tray

Remove:

Pull the tray forward until it stops. Remove the glass by lifting it from underneath the tray. Loosen the thumb screws from both sides of the tray (near the front). Lift up the front of the tray, then pull it gently towards you.



Replace:

Extend the slides. Align the tray on the slides and push back until the tray engages the rear hooks on the slides. Replace the Phillips screws on both sides of the tray (near the front). Do not over-tighten the screws. Set the glass on top of the tray.

Drawers

Remove:

Pull the drawer forward until it stops. Loosen the thumb screws from both sides of the drawer (near the front). Lift up on the front of the drawer, then pull it gently towards you.

Replace:

Extend the slides. Align the drawer on the slides and push back until the drawer engages the rear hooks on the slides. Tighten the thumb screws on both sides of the drawer (near the front). Do not over-tighten the screws.

Freezer Features — Replacement Water Filters

Replacement Filters (Freezer Only)

Important: Read and follow these instructions before installing and using this system. You **MUST** replace the water filter every six months or sooner. Failure to replace the water filter at the recommended intervals may lead to reduced water filter performance and failure of the water filter, causing property damage from water leakage or flooding.

You can order replacement filters at www.bluestarcooking.com/support/contact/ or you can call customer service at (800) 449-8691.

When the water filter needs replacing, the home screen will display an alert.

1. Remove the metal top guard that is held by magnets.
2. Rotate the old filter counterclockwise until it releases from the filter head, then pull the filter all the way out.
3. Remove the new filter from its box, remove all packaging, and insert the new filter in the filter head, then rotate it half a turn.
4. Reinstall the metal top guard.
5. Press **Reset** on the **Water Filter** icon to reset the water filter timer, then press **Yes** to confirm.



Important: When using the water filter for the first time, discard the first two full pans of ice as there may be air or impurities from the water line.

WARNING

To reduce the risk associated with the ingestion of contaminants, **DO NOT** use with water that is microbiologically unsafe or of unknown quality without adequate disinfection before or after the system. Systems certified for cyst reduction may be used on disinfected water that may contain filterable cysts.

EPA Establishment 070595-MEX-001.

AVERTISSEMENT

Pour réduire le risque lié à l'ingestion de contaminants, **NE PAS** utiliser une eau qui ne soit pas sûre d'un point de vue microbiologique ou dont la qualité est inconnue sans une désinfection adéquate avant ou après le système. Les systèmes certifiés en matière de réduction des kystes peuvent être utilisés pour l'eau désinfectée qui peut contenir des kystes filtrables.

Établissement EPA 070595-MEX-001.

Operation and Care and Cleaning

Ice Maker

The ice maker produces approximately 2 1/2 lbs (1.13 kg) of ice every 24 hours. Use the **Superice** icon (via **Ice Maker**) to increase ice production.

When the refrigerator is shipped, the **Ice Maker** icon in the electronic control is set to “on.”

After you initially connect the household water to the water line, discard the first two batches of ice as the ice may contain air or impurities from the water line.

Lighting

Interior lighting is provided by LEDs. If one needs replacing, go to www.bluestarcooking.com/support/contact/ or call customer service at (800) 449-8691 to schedule a service call.

Vacation

For extended vacations, do the following:

1. Press **Power** on the electronic control to turn off the appliance.
2. Turn off the water supply to the freezer.
3. Empty the appliance (including the ice pan in freezers).
4. Block the doors open to let air circulate and keep the interior dry.

Important: Before cleaning, turn off the appliance. When finished cleaning, turn the appliance back on.

Cleaning the Stainless Steel Doors and Interior

Use a non-abrasive stainless steel cleaner and a soft cloth to clean. Always follow the grain of the stainless steel.

Cleaning the Painted Doors and Other Surfaces

Use a mild solution of soap and water and a micro fiber cloth to clean the doors and surfaces.

Cleaning the Condenser

Important: Clean the condenser every three to six months to ensure proper operation.

CAUTION

Electrical Shock Hazard

Turn power off before cleaning the condenser. Failure to follow these instructions can result in death, electrical shock, or fire.

MISE EN GARDE

Risque de choc électrique

Coupez l'alimentation avant de nettoyer le condenseur. Le non-respect de ces instructions peut entraîner la mort, un choc électrique ou un incendie.

Troubleshooting

The refrigerator or freezer makes unusual noises.

The following noises are normal:

- Whirring when the fans are operating. When the appliance is initially turned on, the fan operates at a higher speed until it reaches the set temperatures.
- Rattling during the flow of refrigerant or water.
- Clattering when ice is dropped from the ice maker into the ice pan.
- Buzzing when the water valve opens to fill the ice maker.

The refrigerator or freezer will not operate.

- Confirm whether the circuit breaker and electrical power to the appliance are turned on.

The lights are not working.

- Verify whether the door is closed and was not recently left open for a long time. If the doors were left open, the lights will turn off after ten minutes to eliminate excess heat.

The refrigerator or freezer seems to run too much or the temperature is too warm.

- If a large amount of food was added; the door was opened frequently; or the door was left open, the compressors and fans will run to control the set temperatures.
- Verify whether the doors are closed or closing properly.
- Make sure there are no tears in the gaskets. If there are any tears, call customer service at (800) 449-8691 for service.
- Confirm whether the room temperature is hotter than normal. Increased ambient temperatures may cause compressors to run longer.

There is condensation, frost, or ice on the inside of the refrigerator or freezer.

- Verify whether the doors are closed.
- Make sure there are no tears in the gaskets. If there are any tears, call customer service at (800) 449-8691 for service.

The ice maker is not making ice.

- Confirm whether the water to the freezer is turned on.
- See whether the ice maker was on for at least 24 hours.
- Verify the freezer temperature is 0° F. (-18° C)
- Make sure there are no kinks in the household water line.
- Replace the water filter.

The ice is sticking together in the ice bin.

- It is normal for ice to stick together if it is not used frequently. Empty the ice bin.

The ice has a bad taste and/or odor.

- Throw away the ice if it was not used in a long time.
- Clean the freezer compartment.
- See whether the water filter was replaced and installed correctly.

The refrigerator or freezer has an odor.

- Make sure food is adequately covered as uncovered food could create odors.
- Clean the refrigerator thoroughly.

If assistance is still required, please call customer service at (800) 449-8691.

Warranty

Prizer-Painter Stove Works, Inc. (“Prizer-Painter”) warrants your BlueStar appliance (“product”) purchased in the U.S. and Canada and installed in residential properties for normal residential use.

What Is Covered

Subject to the specific conditions and limitations below, this warranty covers parts and/or labor necessary to repair or replace any part of the product that contains defects in materials and workmanship.

Two Year Warranty. For two (2) years from the date of installation, this warranty covers all parts and labor necessary to repair or replace any part on the product except for the Cosmetic Component Warranty below.

Five Year Warranty-Sealed System. For five (5) years from the date of installation, this warranty covers all parts and labor on the compressor, condenser, evaporator, drier, and all connecting tubing.

Thirteen Year Limited Warranty-Sealed System. For thirteen (13) years from the date of installation, this warranty covers the following parts only: the compressor, condenser, evaporator, drier, and all connecting tubing.

Cosmetic Component Warranty. For thirty (30) days from the date of installation, this warranty covers scratches and dents, paint and porcelain blemishes, visible chips, etc.

Limitations of Coverage

- **Floor Models.** For one (1) year from the date of installation, this warranty covers all parts and labor necessary to repair or replace any part on the product except for cosmetic parts for which there is no warranty.
- The replacement of a part under this warranty does not extend the warranty period.
- Warranty service outside normal business hours and in areas beyond fifty (50) miles one way from an authorized BlueStar retailer or service provider. The owner will be responsible for any and all costs associated with additional mileage, non-standard service or overtime, and special equipment required to remove the product so service may be performed.

This warranty is void if the:

- Product is removed from where it was originally installed.
- Original factory installed serial number is altered or removed from the product.

What Is Not Covered

This warranty does not cover, and specifically excludes:

- Product installed or used in any commercial or other non-residential property such as, but not limited to, day care facilities, fire stations, hotels, nursing homes, etc.
- Installation related issues including improper badge placement or installation inconsistent with the product specifications/installation instructions.
- Damage or repairs caused by alterations or modifications, abuse, misuse, neglect, or improper installation, mounting, handling, operation, maintenance, or storage.
- Normal adjustments after installation and setup.
- Normal wear, care, and maintenance of the product as described in the use and care manual.
- Service calls to educate the customer on the proper use and care of the product.
- Consumable parts such as water filters.
- Damage or repairs caused by unauthorized service or repairs, including unauthorized adjustments or calibrations performed on the product.
- Accidental or intentional damage.
- Damage or repairs as a result of natural disasters, fires, floods, earthquakes, winds, lightning, corrosive atmosphere, loss of electrical power to the product, or other conditions beyond Prizer-Painter’s control.
- Damage or repairs caused by alteration for outdoor use.
- Damage or repairs caused by the use of harsh chemicals or cleaning products improperly applied.
- Liability or responsibility for damage to surrounding property including cabinetry, floors, ceilings, etc.
- Consequential or incidental damage, including but not limited to food or medicine loss, time away from work, restaurant meals, etc.

The terms of this warranty provide for repair of the product only. If the product cannot be repaired, Prizer-Painter, at its sole discretion, will determine whether to exchange the product.

Please see the Arbitration Clause and Related Provisions, which affect your legal rights. The Arbitration Clause is available at www.bluestarcooking.com.



REPLACEMENT
ELEMENT

Tested and verified by manufacturer's laboratory. Tested in accordance with NSF/ANSI Standard 42 for the reduction of chlorine taste and odor.