

The NEW Freezer Column has been designed to offer exceptional food preservation, maximum storage & unmatched options for kitchen design and flexibility. With industry-leading capacity these integrated columns are perfect for every home kitchen.

PRODUCT FEATURES:

- Over-sized 8.22 cu. ft. capacity
- Available in panel-ready, pro-style stainless steel or your choice of 1,000+ colors, all with flush installation
- Automatic ice maker with Super Ice function
- Easy-to-use touch control panel
- Extra-bright LED lighting
- Full extension drawers
- Iron Clad Warranty: 2 years (full), 5 years (sealed system parts & labor) and 13 years (sealed system parts)
- Side by side kits included with all freezer models.

CONFIGURATIONS:

Right Swing Models:

BIFP18R0	Panel Ready
BIF18R0	Stainless Steel Standard Trim
BIF18R0PLT	Stainless Steel Plated Trim
BIF18R0C	Standard RAL Color Standard Trim
BIF18R0CPLT	Standard RAL Color Plated Trim
BIF18R0CF	Specialty Finish Standard Trim
BIF18R0CFPLT	Specialty Finish Plated Trim
BIF18R0CC	Custom Color Standard Trim
BIF18R0CCPLT	Custom Color Plated Trim



Model: BIFP18R0



Model: BIF18R0



Model: BIF18R0CPLT

SPECIFICATIONS:

Dimensions:

- Standard Door: 83 1/2"H x 17 1/2"W x 25 1/4"D
- Panel Ready: 83 1/2"H x 17 1/2"W x 24 1/4"D

* Overall depth does not include panel depth

* Width includes connector brackets

Electrical Requirements: 115V, 60Hz, 15 AMP Circuit

(Unit must be on a Non-GFI, dedicated outlet)

Water Pressure: 35 - 120psi

Unit Capacity: 8.22 cu. ft.

Weight: 342 lbs.

Left Swing Models:

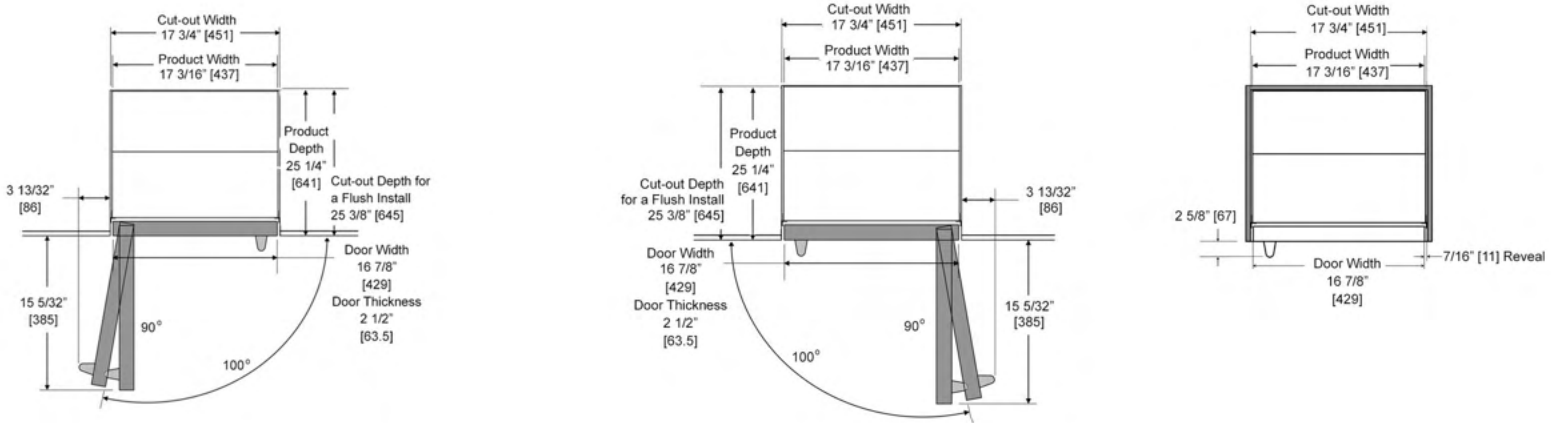
BIFP18L0	Panel Ready
BIF18L0	Stainless Steel Standard Trim
BIF18L0PLT	Stainless Steel Plated Trim
BIF18L0C	Standard RAL Color Standard Trim
BIF18L0CPLT	Standard RAL Color Plated Trim
BIF18L0CF	Specialty Finish Standard Trim
BIF18L0CFPLT	Specialty Finish Plated Trim
BIF18L0CC	Custom Color Standard Trim
BIF18L0CCPLT	Custom Color Plated Trim

- (A) Cut-out must have a finished return of at least 3 1/2" from the front
- (B) Standard Door Installation: Cut-out must be a minimum depth of 25 3/8" [645] for a flush door installation. Cut-out must be minimum depth of 23 1/4" [591] to cover the sides of the unit.

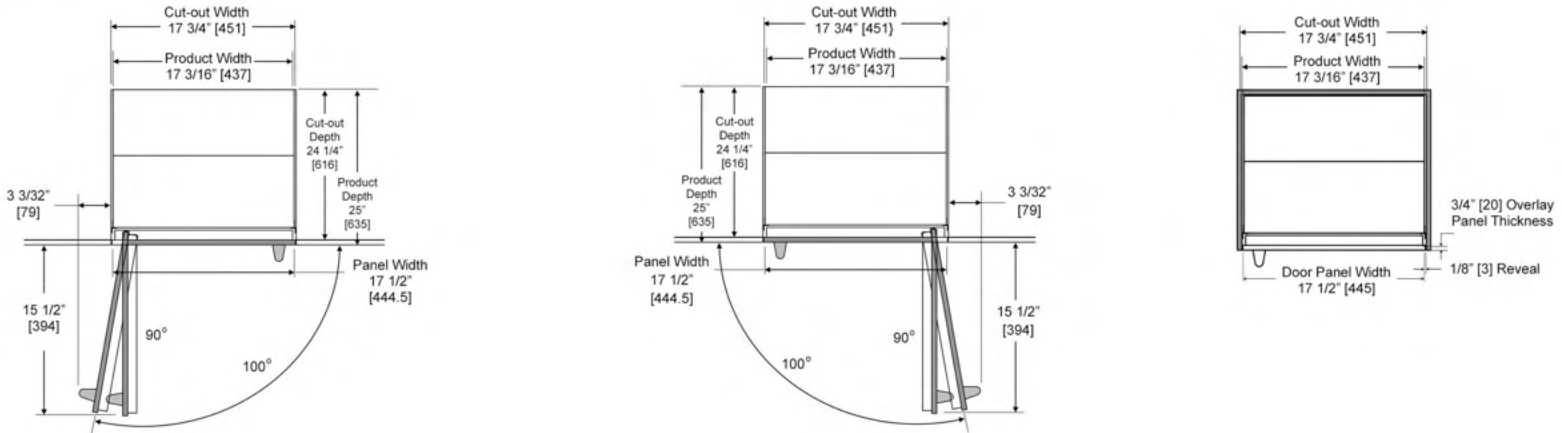
Notes:

- Except where noted, dimensions shown are from cut-out to refrigerator.
- Dimensions shown in [] are in millimeters.
- Cut-out dimensions are for frameless cabinet installations. Refer to column refrigeration design guide for face frame cabinet cut-out dimensions.

STANDARD DOOR MODELS (B)



PANEL READY MODELS



Notes:

- (A) Recommended installation cut-out height: 83 1/2" - 84"
- (B) Dimensions shown are with rollers in minimum position as shipped. Product can be raised 1" max.
- (C) Installation cut-out must have a finished return of at least 3 1/2" from the front.

