

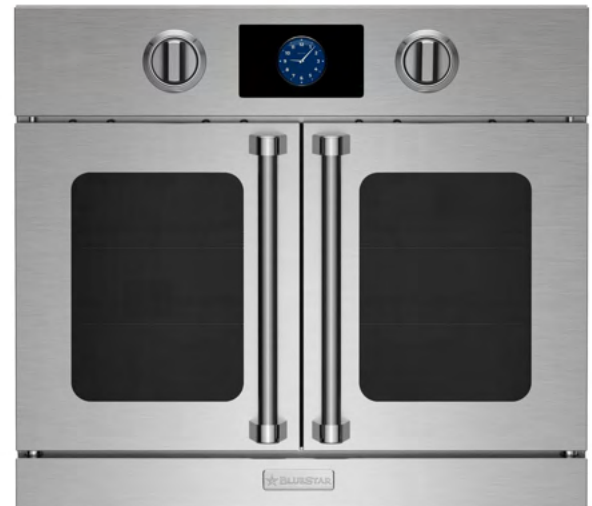
The newly redesigned electric wall oven featuring an enhanced touchscreen, industry-leading capacity, and unmatched customization is the perfect addition to any home cook's kitchen.

## PRODUCT FEATURES

- New oversized, intuitive, full-color touchscreen with unique customization capabilities
- Extra-large oven capacity, overall capacity of 4.6 cu ft & industry leading usable capacity of 3.5 cu ft
- Built-in temperature-controlled baking stone for perfect artisan breads & pizzas
- Professional-level performance with 9 cooking modes plus temperature probe, delayed start, timed cook, warm, and Sabbath features
- Fits full-size commercial sheet pans & includes a full-extension rack
- Unmatched customization: choose from 1,000+ colors and 10 metal finishes or custom colors
- Easy to clean, 90-minute express cycle
- Handcrafted in Pennsylvania since 1880

## SPECIFICATIONS

Oven Dimensions: 30"W x 25 7/8"D x 27"H  
 Oven Interior: 26 1/4W x 20"D x 15"H  
 Oven Bake Element Rating: 2,500 watts  
 Oven Broiler Element Rating: 5,000 watts  
 Oven Heat Assist Element Rating: 1,800 watts  
 Electrical Requirements: 208-240V, 24 AMPs, 1 PH  
 Overall Capacity: 4.6 cubic feet  
 Usable Capacity: 3.5 cubic feet  
 Weight: 304 lbs



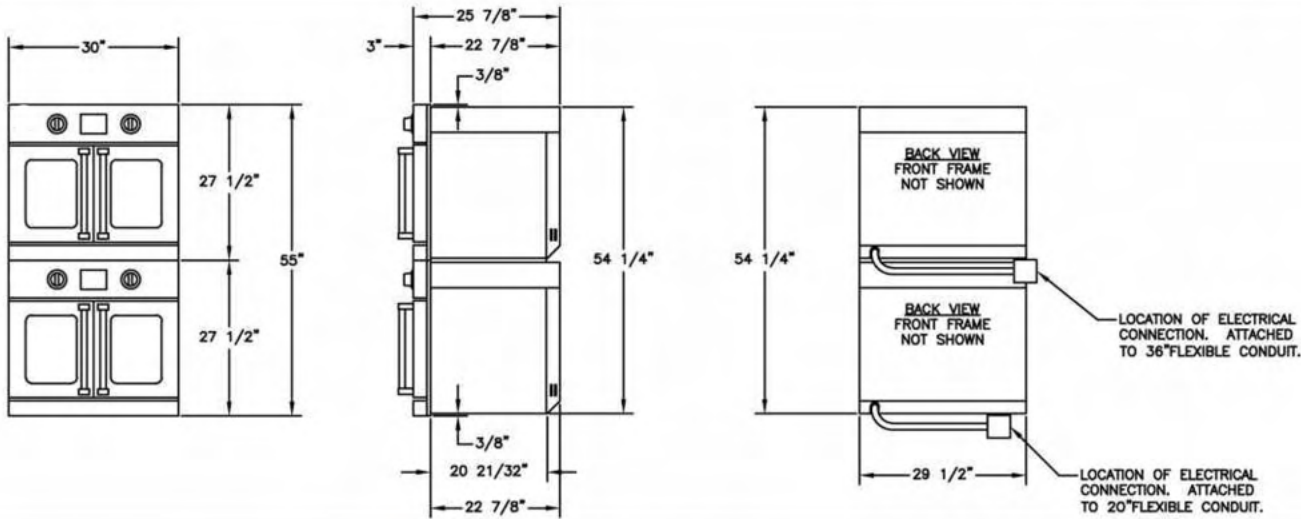
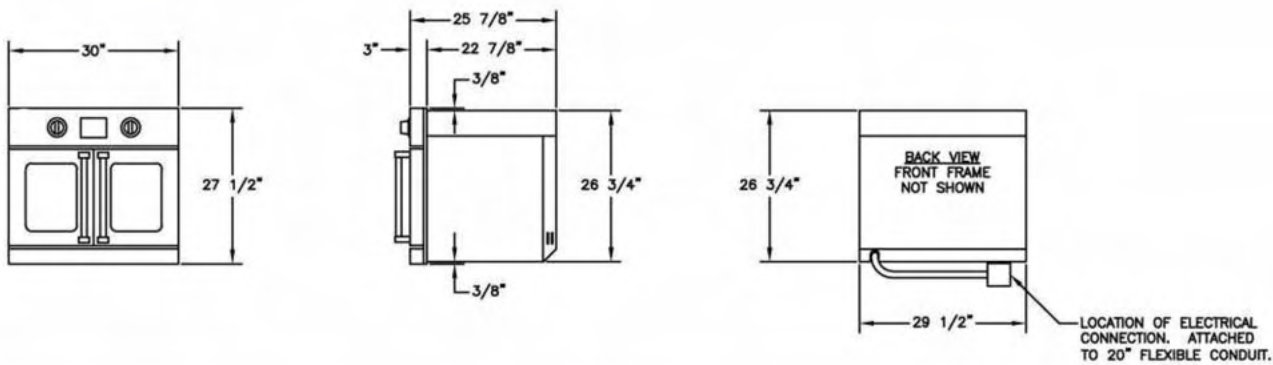
## MODEL CONFIGURATION

30" Electric Wall Oven with French Doors	BSEWO30SDV3
---	-------------

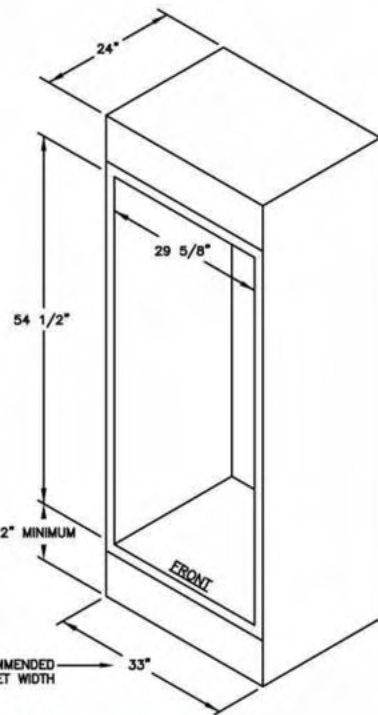
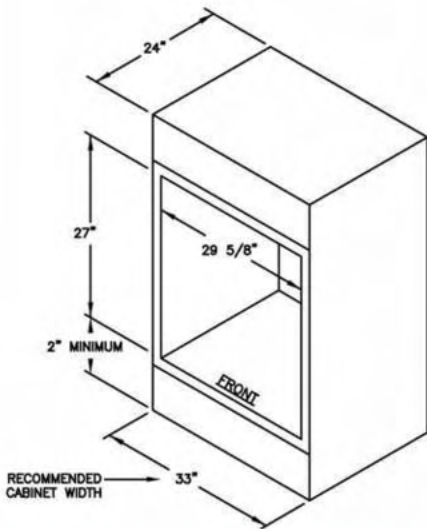
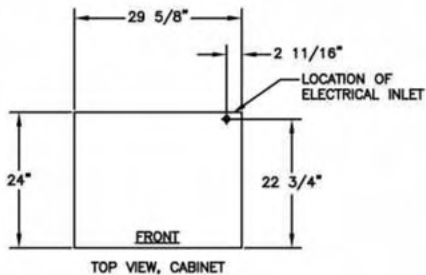
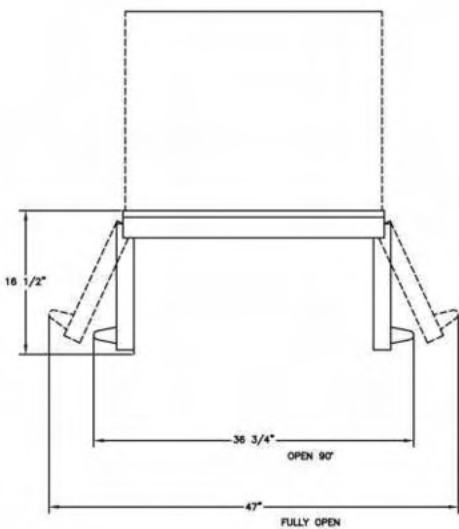
## ADDITIONAL CUSTOMIZATION OPTIONS

- 1,000+ Colors & finishes
- Knob colors
- Trim options
- Custom touchscreen

*All specifications subject to change without notice.  
 Visit [www.bluestarcooking.com](http://www.bluestarcooking.com) prior to site preparation  
 or installation.*



**French Door Model  
Open Door View**



**CLEARANCES**

**Important:** Cabinet has to support the weight of the oven. Please check user manual for minimum weight requirements.