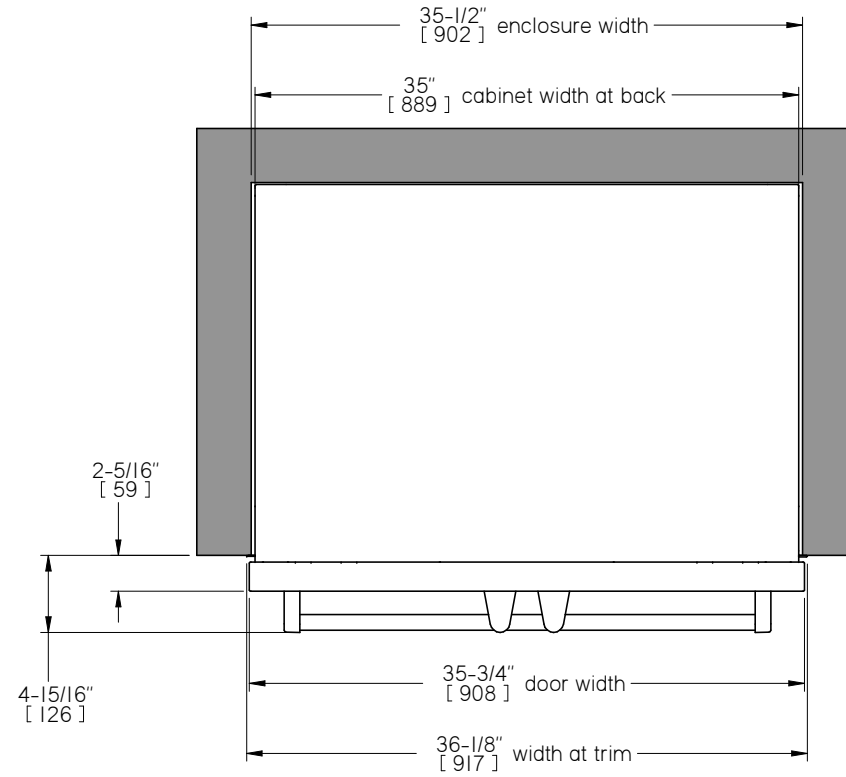
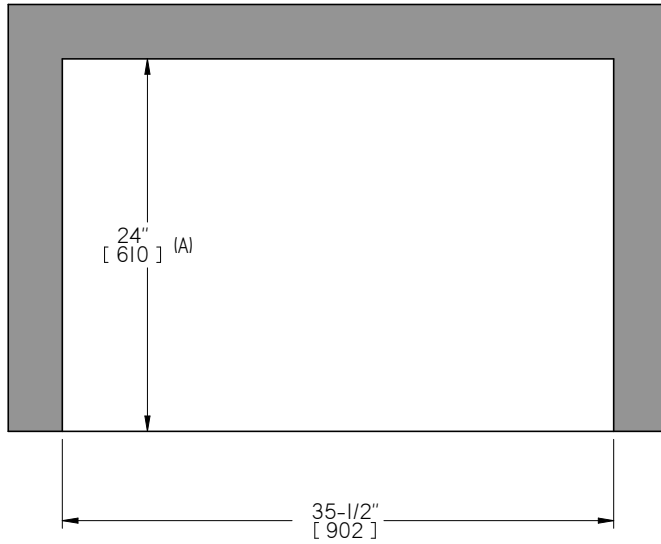


# BBBF36 STANDARD INSTALLATION DIMENSIONS



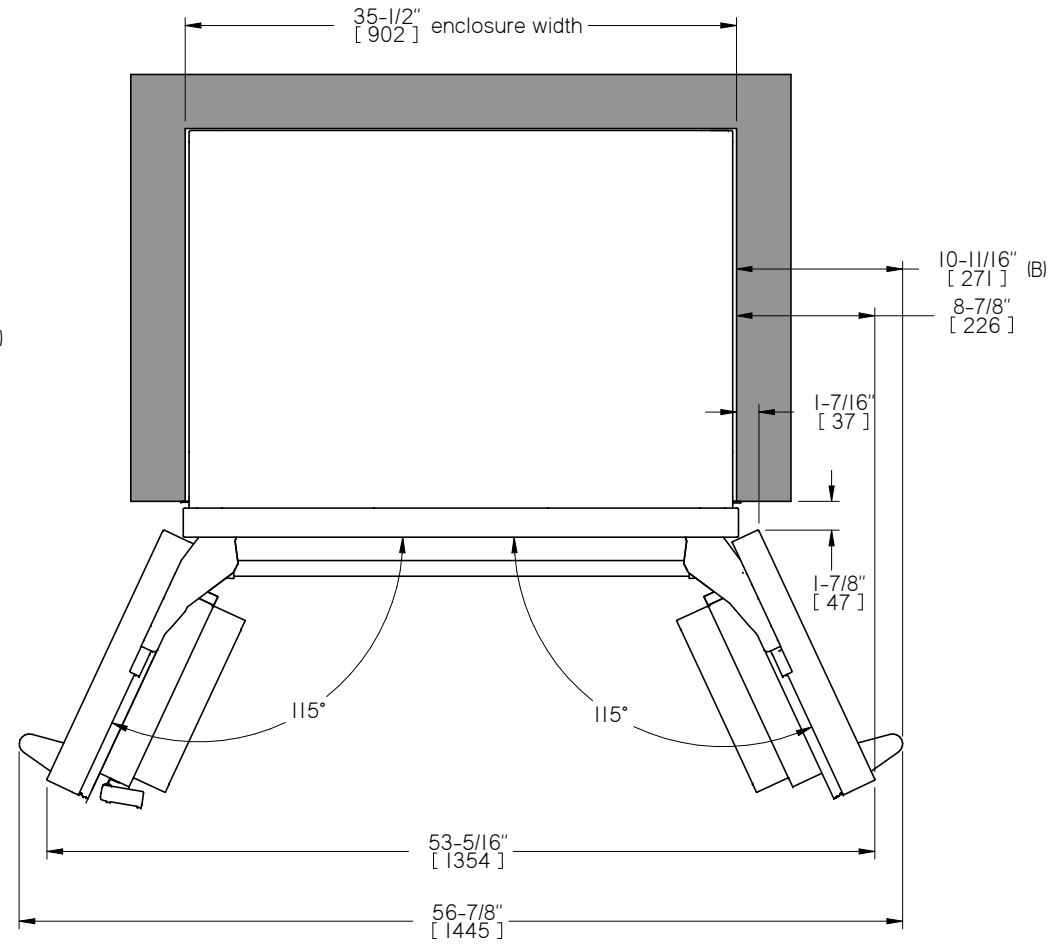
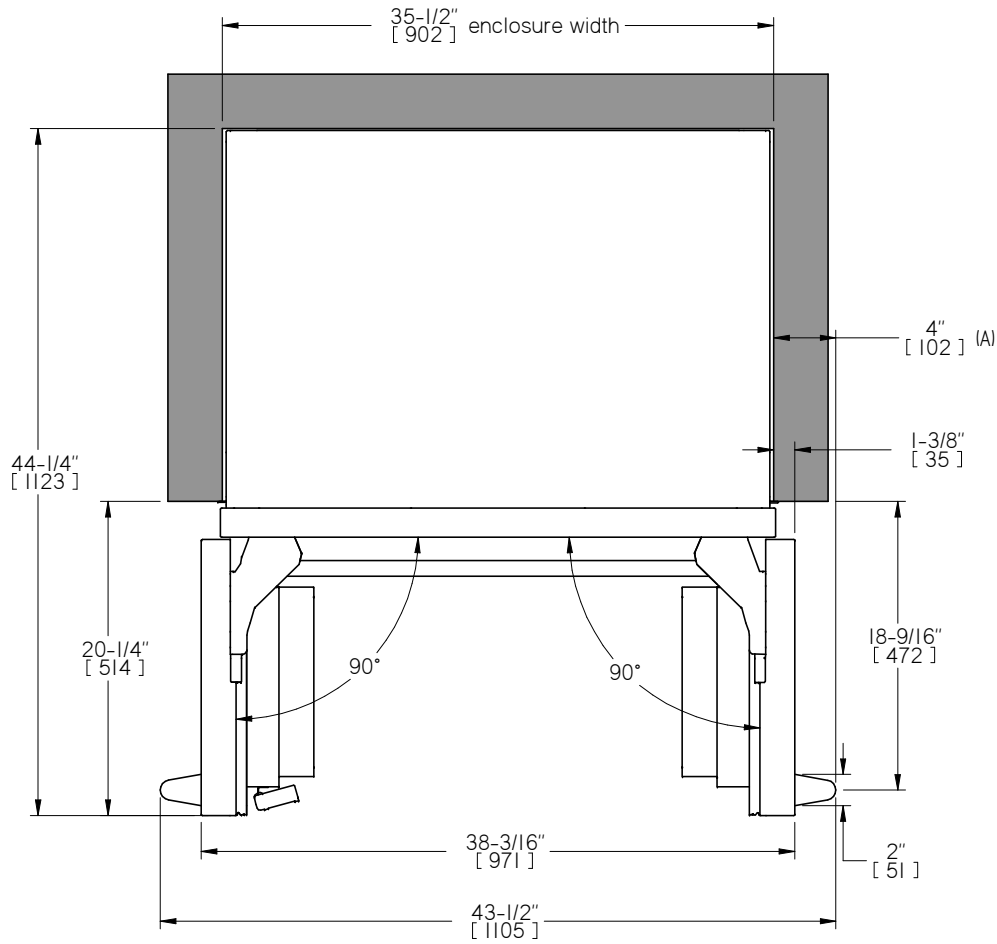
Enclosure Dimensions



Notes:  
Except where noted, dimensions shown are from enclosure to refrigerator  
Dimensions shown in [ ] are in millimeters

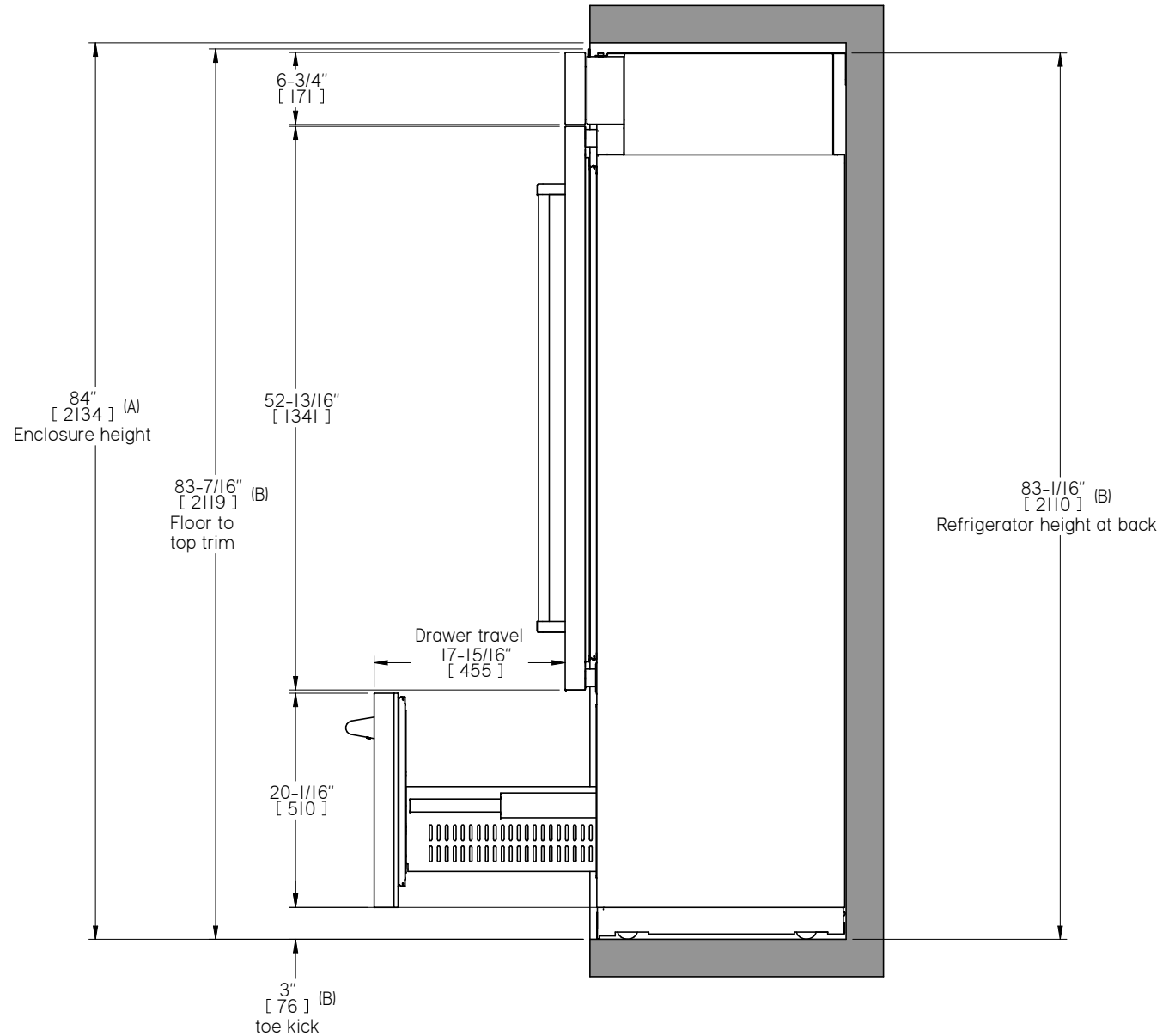
(A) If depth is greater than 24", add shims as needed for anchor bracket.

# BBBF36 STANDARD INSTALLATION DIMENSIONS



- Notes:
- Except where noted, dimensions shown are from enclosure to refrigerator
  - Dimensions shown in [ ] are in millimeters
  - (A) Recommended minimum side wall clearance of 5" for 90° door opening
  - (B) Recommended minimum side wall clearance of 11-11/16" for 115° door opening

# BBBF36 STANDARD INSTALLATION DIMENSIONS



Notes:  
Dimensions shown in [ ] are in millimeters

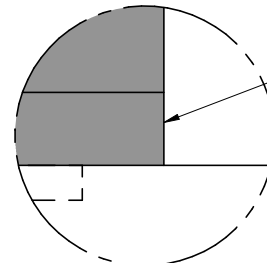
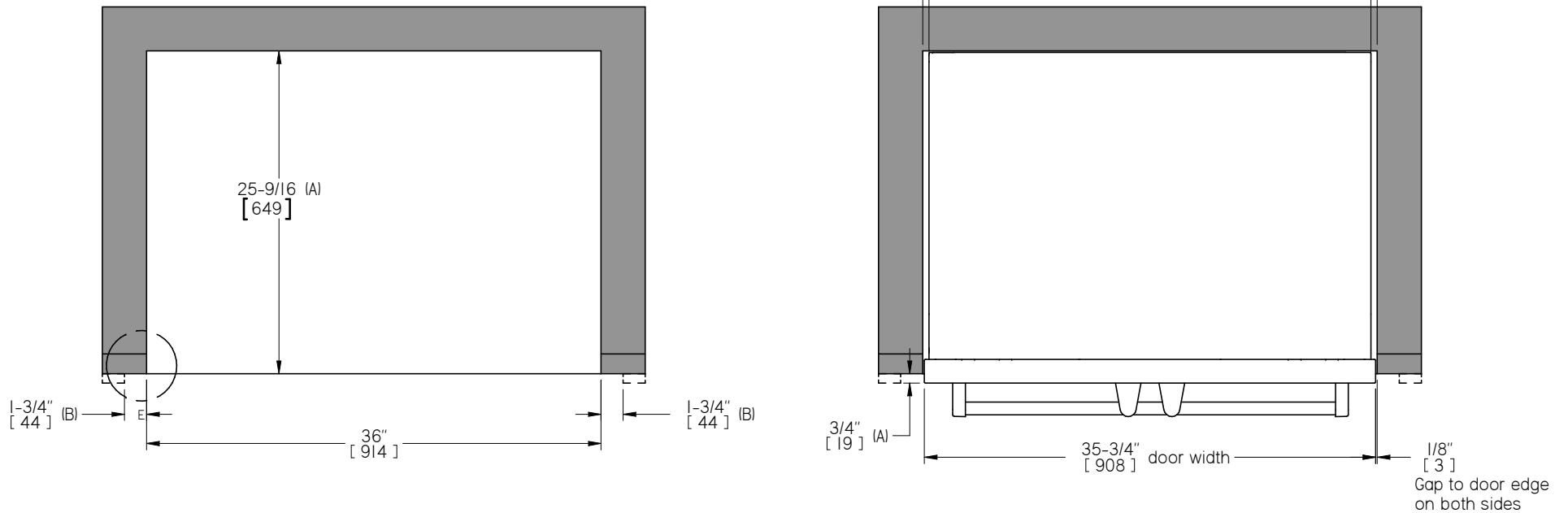
(A) Recommended enclosure height based on installation method: 83-1/4" - 84"

(B) Dimensions shown are with rollers in minimum position as shipped. Unit can be raised 1" max.

# BBBF36 LOW PROFILE INSTALLATION DIMENSIONS



## Enclosure Dimensions



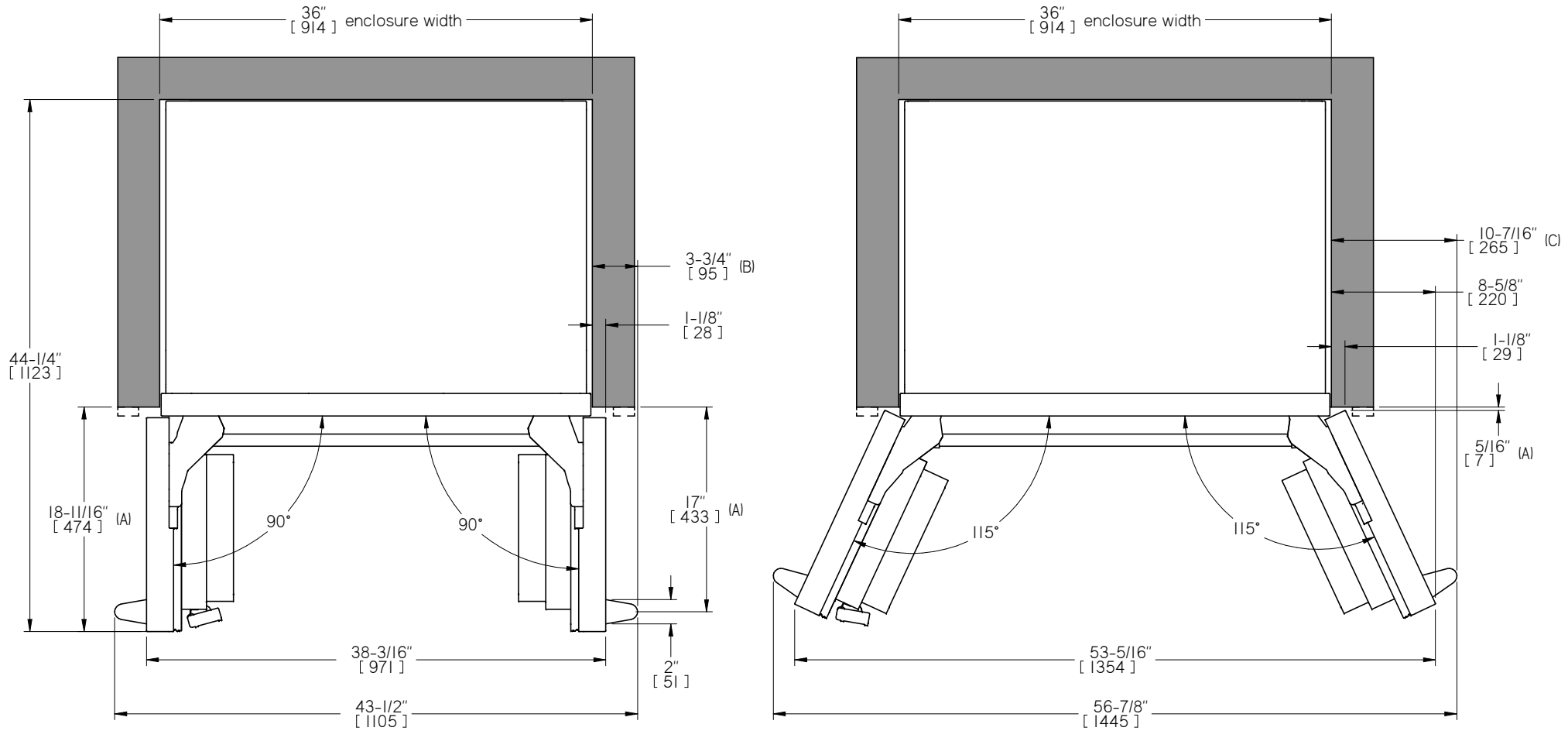
Inside of kitchen cabinet enclosure should be finished back at least 3" in these areas. Interior will be visible when doors are opened (Both sides of enclosure opening)

DETAIL E

Notes:  
 Except where noted, dimensions shown are from enclosure to refrigerator  
 Dimensions shown in [ ] are in millimeters

- (A) If depth is greater than 25-9/16", add shims as needed for anchor bracket.
  - If door protrudes less than 3/4", door will not open properly, and damage to enclosure may occur.
- B) If decorative trim or other element is applied to front of enclosure, it must be at least 1-3/4" away from enclosure opening.

# BBBF36 LOW PROFILE INSTALLATION DIMENSIONS



## Notes:

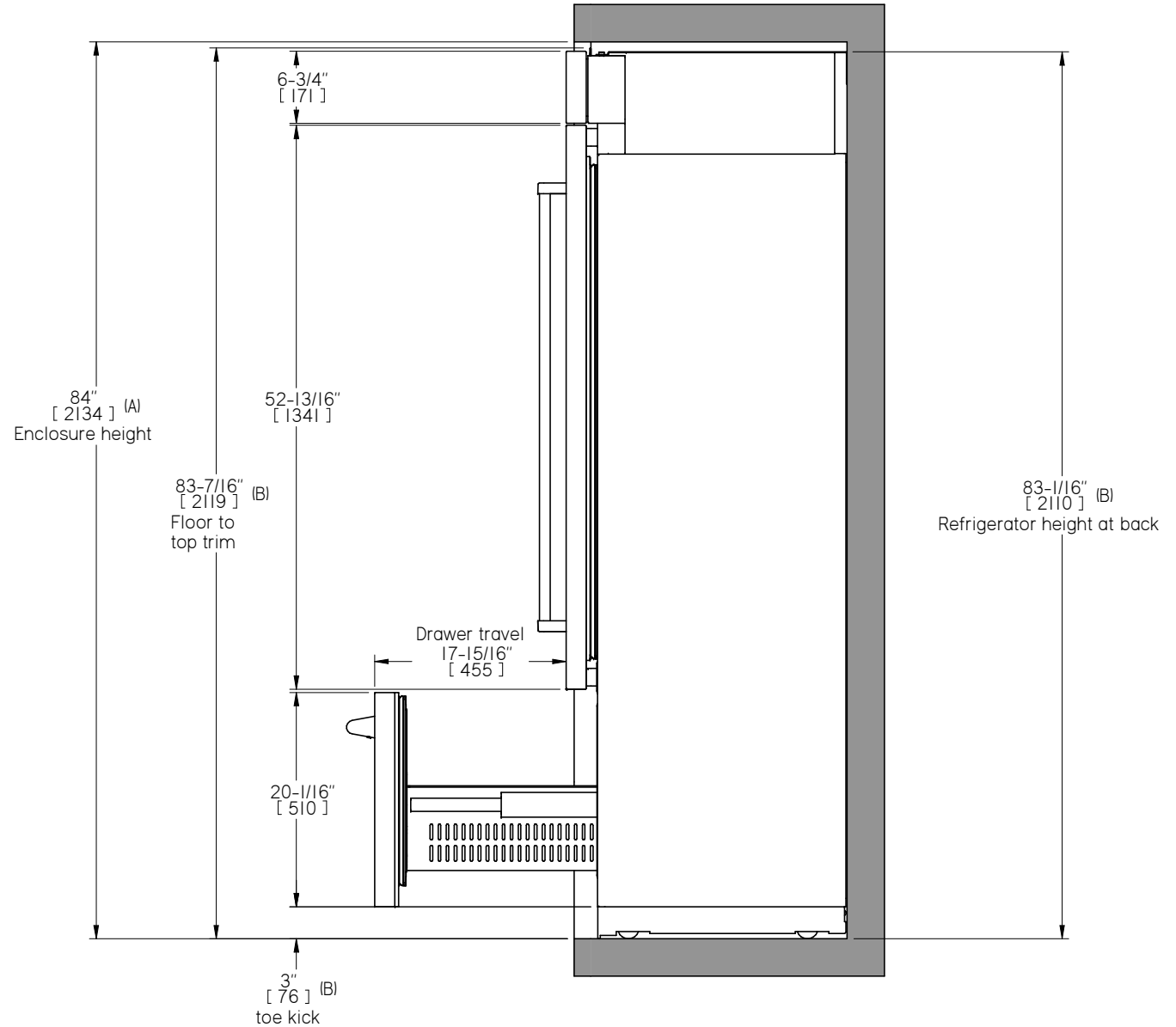
Except where noted, dimensions shown are from enclosure to refrigerator  
 Dimensions shown in [ ] are in millimeters

(A) Dimension shown based on an enclosure depth of 25-9/16". If the enclosure is shallower, adjust dimension accordingly.

(B) Recommended minimum side wall clearance of 4-3/4" for 90° door opening

(C) Recommended minimum side wall clearance of 11-7/16" for 115° door opening

# BBBF36 LOW PROFILE INSTALLATION DIMENSIONS



Notes:  
Dimensions shown in [ ] are in millimeters

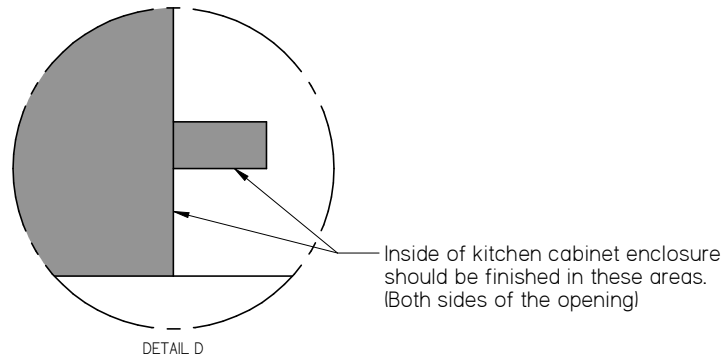
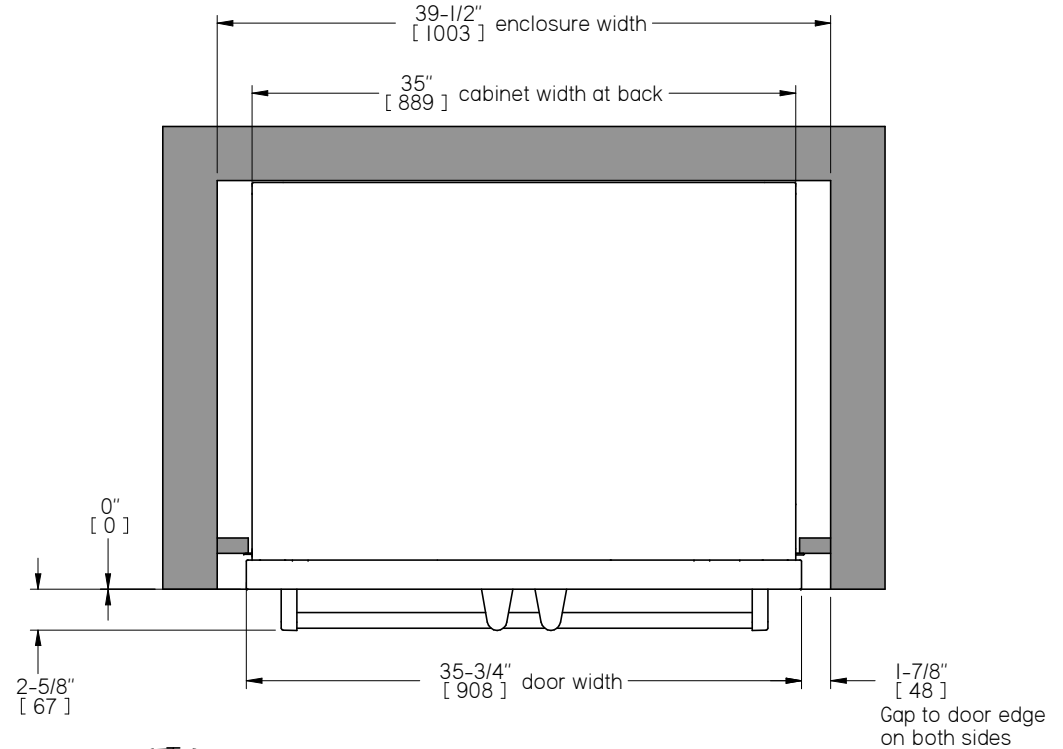
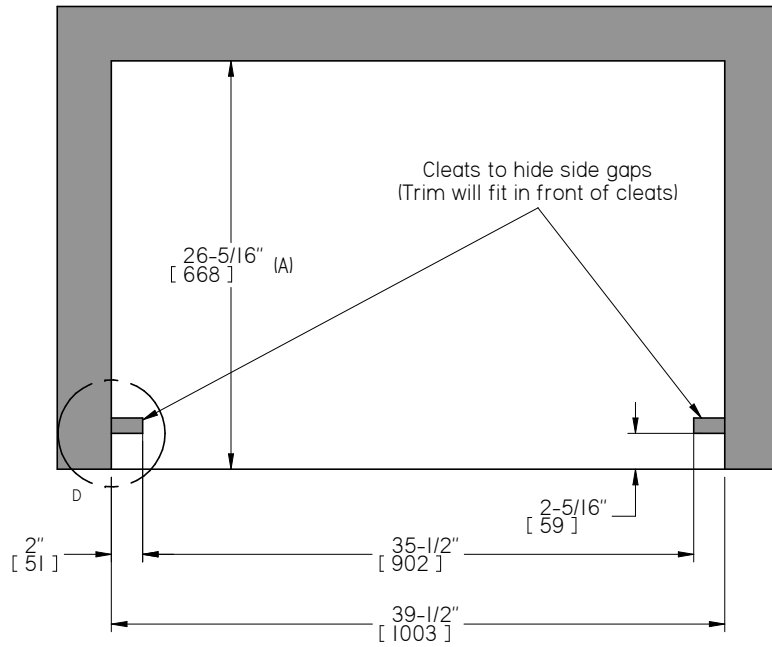
(A) Recommended enclosure height based on installation method: 83-1/2" - 84"

(B) Dimensions shown are with rollers in minimum position as shipped. Unit can be raised 1" max.

# BBBF36 FLUSH INSTALLATION DIMENSIONS



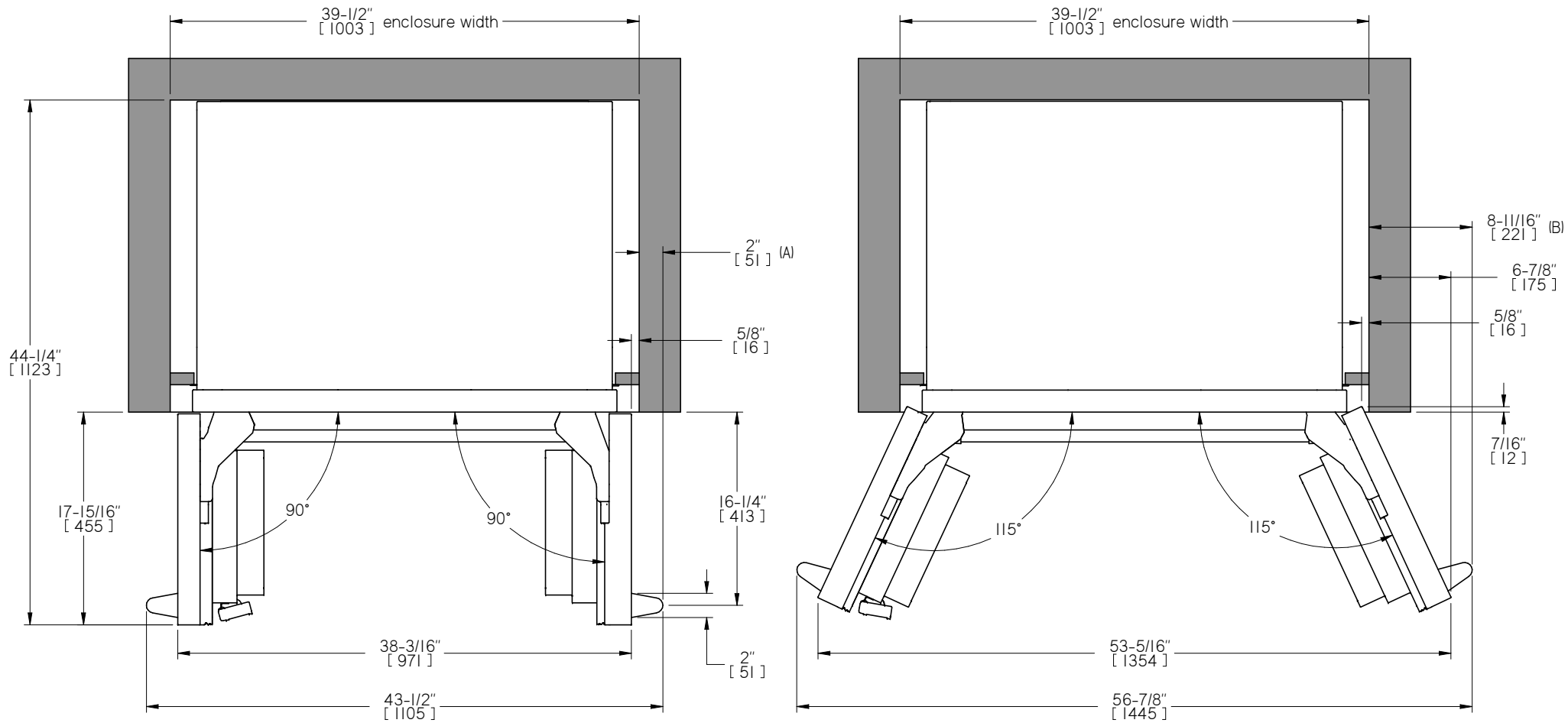
## Enclosure Dimensions



Notes:  
 Except where noted, dimensions shown are from enclosure to refrigerator  
 Dimensions shown in [ ] are in millimeters

(A) If depth is greater than  $26\text{-}5/16"$ , add shims as needed for anchor bracket

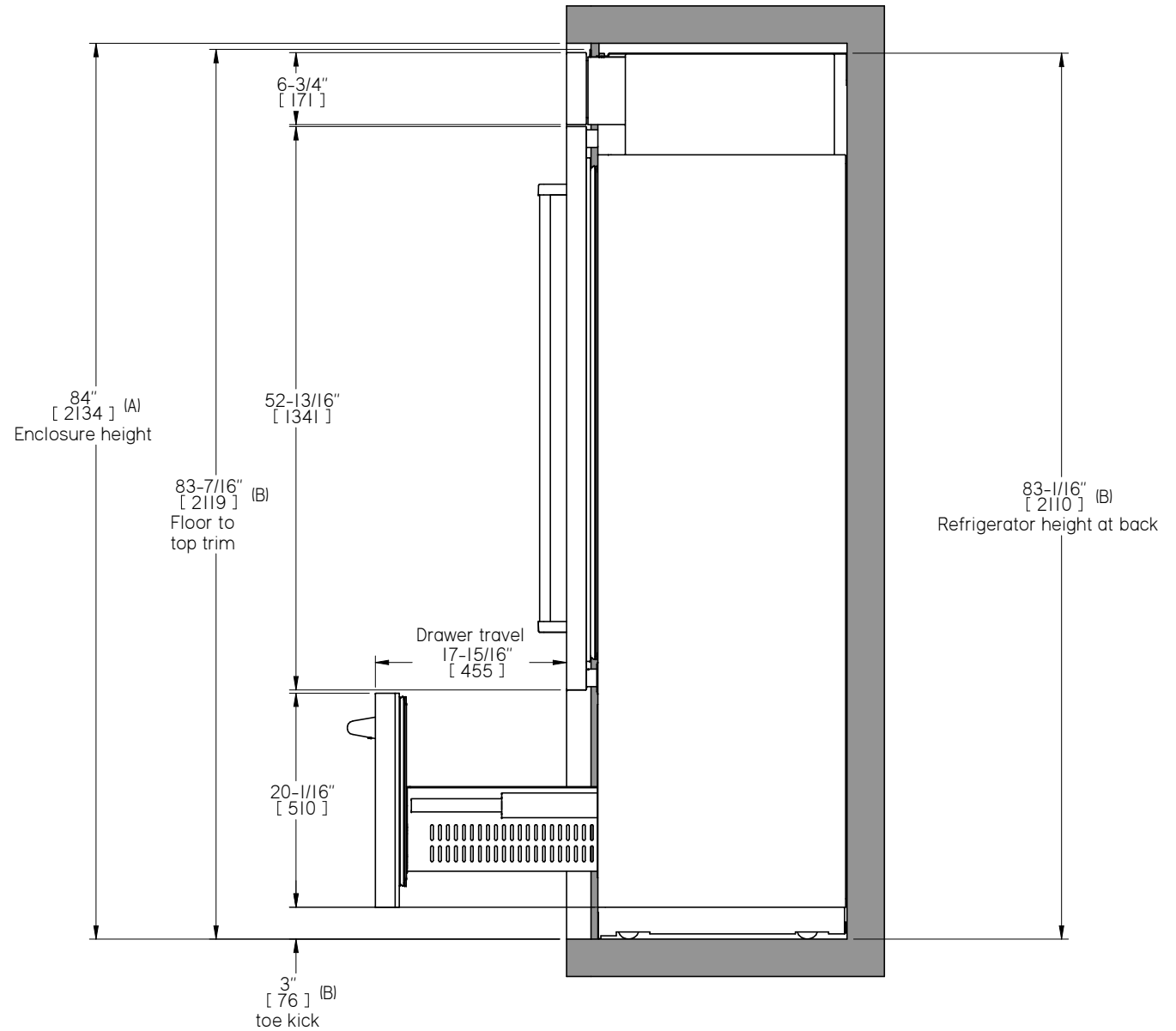
# BBBF36 FLUSH INSTALLATION DIMENSIONS



- Notes:
- Except where noted, dimensions shown are from enclosure to refrigerator
  - Dimensions shown in [ ] are in millimeters
  - (A) Recommended minimum side wall clearance of 3" for 90° door opening
  - (B) Recommended minimum side wall clearance of 9-11/16" for 115° door opening



# BBBF36 FLUSH INSTALLATION DIMENSIONS



Notes:  
Dimensions shown in [ ] are in millimeters

(A) Recommended enclosure height based on installation method: 83-1/2" - 84"

(B) Dimensions shown are with rollers in minimum position as shipped. Unit can be raised 1" max.