

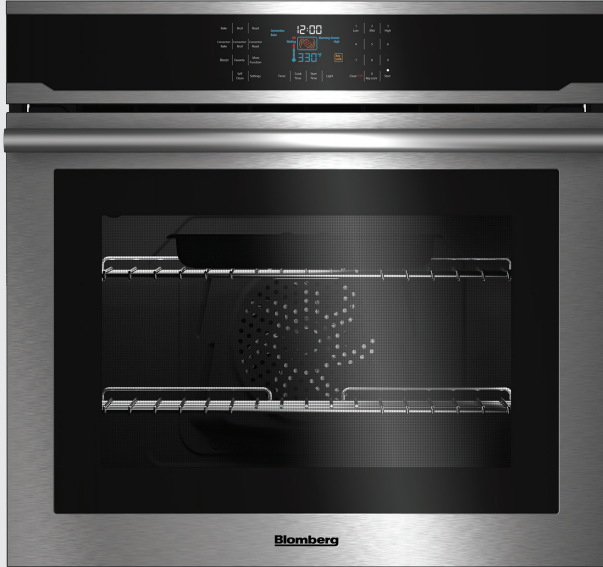


IN HARMONY WITH NATURE,  
YOUR LIFE, AND YOU.

**Blomberg**  
seit 1883

## 30" Single Electric Wall Oven

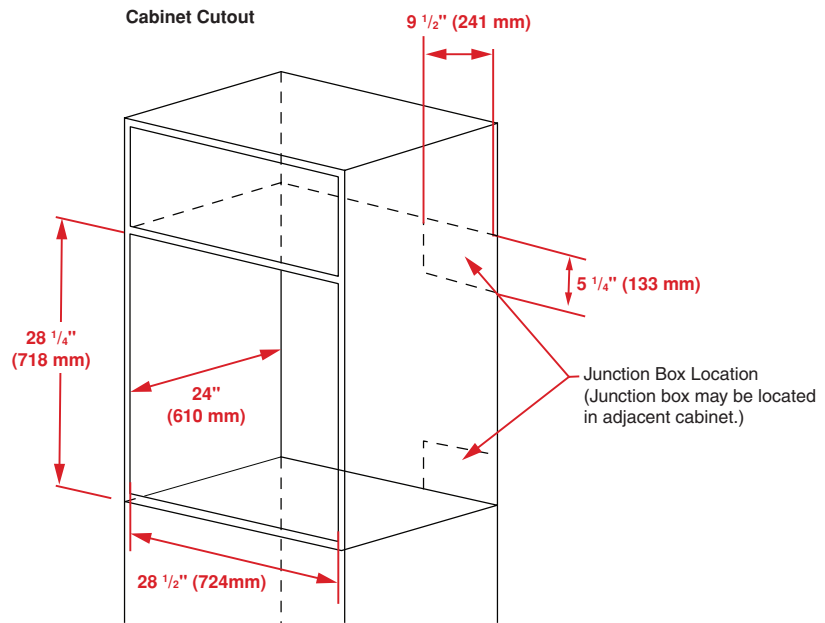
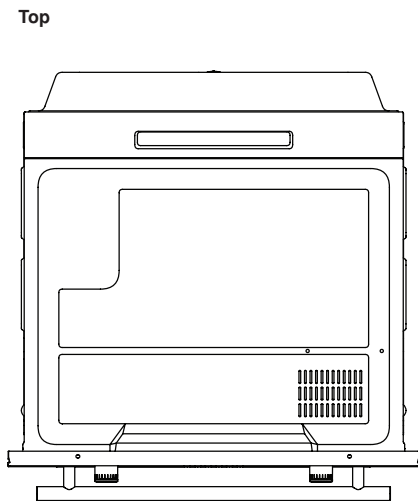
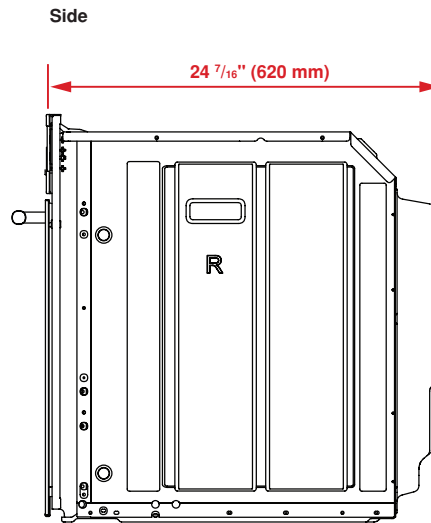
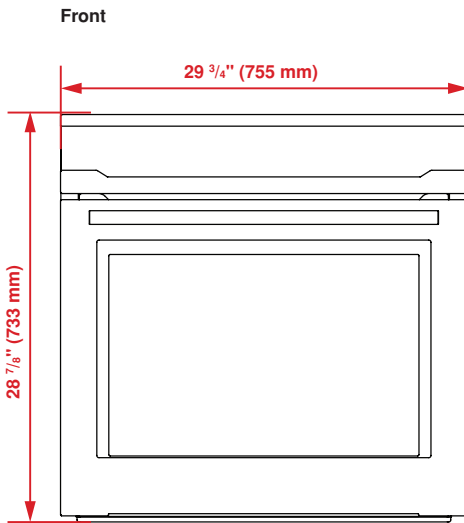
BWOS30200SS



### FEATURES

- Sensitive Touch Button Control
- Easy Grip Stainless Steel Handle
- Pyro Proof Black Enamel Cavity
- Full Extension Lower Telescopic Rack
- Two Halogen Lamp Illuminations
- Industry-leading Interior Capacity (5.7 cu. ft.)

| GENERAL                                              |                                      |
|------------------------------------------------------|--------------------------------------|
| Type                                                 | Built-In                             |
| Size                                                 | 30"                                  |
| Color                                                | Stainless Steel                      |
| Oven Type / Upper Oven Type                          | Multifunction - True Euro Convection |
| Control Type                                         | Smart LED Display                    |
| FUNCTIONS                                            |                                      |
| Self Clean with Door Latch                           | Yes                                  |
| True European Convection                             | Yes                                  |
| Roast                                                | Yes                                  |
| Warming Option                                       | Yes                                  |
| Slow Cook                                            | Yes                                  |
| Pizza Cooking                                        | Yes                                  |
| Bread Proofing                                       | Yes                                  |
| Bake                                                 | Yes                                  |
| Broil                                                | Yes                                  |
| Defrost                                              | Yes                                  |
| SPECIAL FEATURES                                     |                                      |
| Contemporary European Design                         | Yes                                  |
| Programmable Electronic Timer                        | Yes with Full-Touch                  |
| Self clean (Programmable) with Multi Level Selection | Yes                                  |
| Easy-to-clean Enamel                                 | N/A                                  |
| Meat Probe                                           | Yes                                  |
| Display Lock                                         | Yes                                  |
| Oven Capacity                                        | 5.7 cu. ft.                          |
| Wire Oven Racks                                      | 3 Heavy-duty (with grill pan)        |
| Sabbath Mode                                         | Yes                                  |
| OVEN DOORS                                           |                                      |
| Oven Glass Window                                    | Yes                                  |
| Door Cooling System                                  | 4-Pane Heat-resistant Glass          |
| ACCESSORIES / OVEN CAVITY                            |                                      |
| Cavity Enamel Color                                  | Black                                |
| Rack Positions                                       | 4 Embossed                           |
| Oven Lights                                          | 2 x 20W Halogen                      |
| Broil Upper Heating Element                          | N/A                                  |
| Upper Auxiliary Element Wattage                      | N/A                                  |
| Concealed Bake Lower Heating                         | N/A                                  |
| Convection Element Wattage                           | Yes                                  |
| Chromed Racks                                        | 3                                    |
| DIMENSIONS                                           |                                      |
| Required Cutout Dim (H x W x D)                      | 28 1/4 x 28 1/2 x 24 in.             |
| Overall Height                                       | 28 7/8 in.                           |
| Overall Width                                        | 29 3/4 in.                           |
| Overall Depth                                        | 24 7/16 in.                          |
| Weight                                               | 89.6 lbs                             |
| POWER / RATINGS                                      |                                      |
| KW / Amps Rating at 240V, 60Hz                       | 220-240 V, 20 A, 60 Hz               |
| Supply Cord                                          | Yes                                  |



If installing in lower cabinet, leave 4" (102mm) min clearance below.

NOTE TO THE INSTALLER: All height, width, and depth dimensions are shown in inches (as well as metric). Beko U.S., Inc. reserves the absolute and unrestricted right to change product materials and specifications, at any time, without notice. Please visit our website at [www.BlombergAppliances.com](http://www.BlombergAppliances.com) or call 888.352.2356 to verify the latest specifications with final dimensional data and other details prior to installation and making a cutout. Applicable product limited warranty information may be found in accompanying product materials, or you may contact your account manager for further details. Proper installation is the responsibility of the installer. Product failure due to improper installation is not covered under the Limited Warranty.

IN HARMONY WITH NATURE, YOUR LIFE, AND YOU.