



IN HARMONY WITH NATURE,  
YOUR LIFE, AND YOU.

**Blomberg**  
seit 1883

## 36" Counter Depth French Door Refrigerator

BRFD2230XSS



### KEY FEATURES

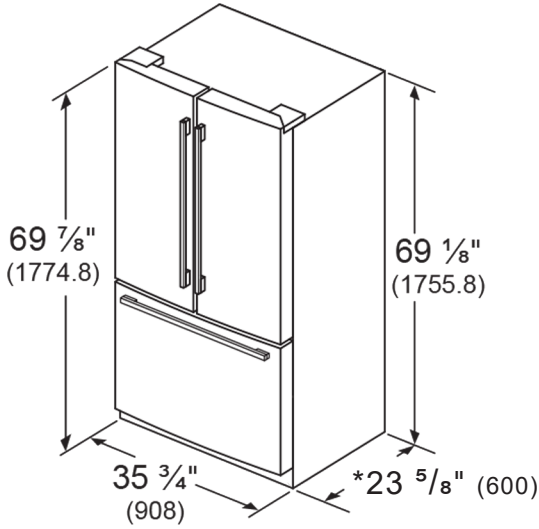
- Duo Cycle Frost Free Cooling
- Blue Light Technology
- IonFresh
- Inner Digital Display
- Large Pantry Drawer
- Interior Filtered Water Dispenser
- Interior Theater Lighting with LED Lights

GENERAL	
Cooling System	Duo Cycle Frost Free Cooling
Control System	Electronic Control
Type	Freestanding
Finish	Stainless Steel
CAPACITIES	
Total Net Volume cu. ft.	19.86
Fresh Food Net Volume cu. ft.	13.3
Freezer Net Volume cu. ft.	6.56
FRIDGE FEATURES	
Blue Light technology	Yes
IonFresh	Yes
Carbon Filter	Yes
Interior Filtered Water Dispenser	Yes
Electronic Control Display Type	LED Inner Display on Front Top Trim
Auto Defrost	Yes
Inner Illumination	LED- Side Walls
Door Open Alarm	Yes
Shelves	4
Crisper	2
Door Racks	6
Compressor	Variable Speed VCC
Fan Ventilation	Yes
Modes	Sabbath, Holiday, Quick Cool
FREEZER FEATURES	
Auto Defrost	Yes
Number of Freezer Drawers	1
Automatic Ice Maker	Yes
TECHNICAL INFORMATION	
Supply Voltage, V/Hz	120V / 60 Hz
Rated Current, A	2.2 A
Noise Level, dBA	39 dBA
PERFORMANCE	
Climatic Class	T
Annual Energy Consumption, kwh/year	566
Cooling Gas	R6600a
DIMENSIONS	
H x W x D in.	69 <sup>7</sup> / <sub>8</sub> x 35 <sup>3</sup> / <sub>4</sub> x 27 <sup>9</sup> / <sub>16</sub> in.
H x W x D mm	1774 x 908 x 700 mm
Product Weight	298 lbs. (135 kg)

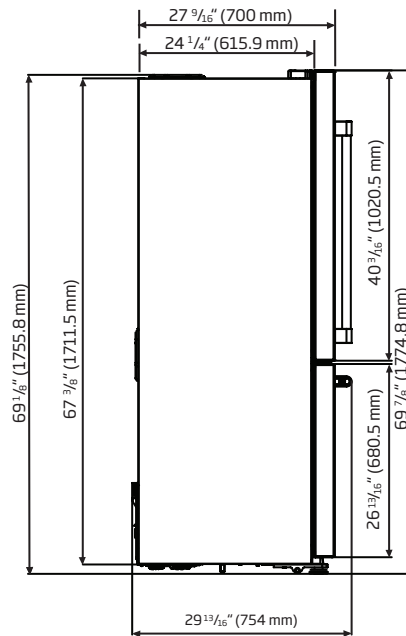
# 36" Counter Depth French Door Refrigerator

BRFD2230XSS

All measurements in inches (mm)

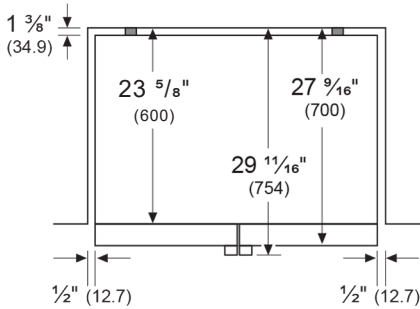


Side View

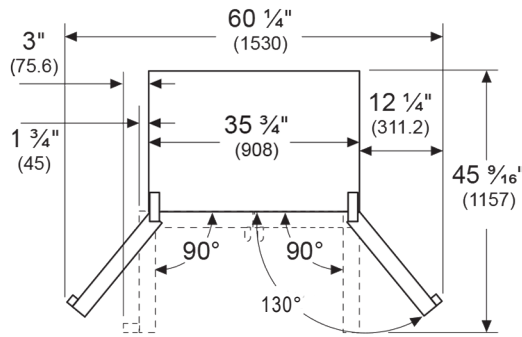


\* Add 1 3/4" (34.9) in the back measurements for proper ventilation

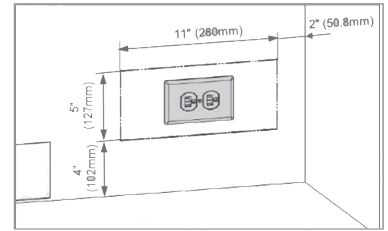
Top View



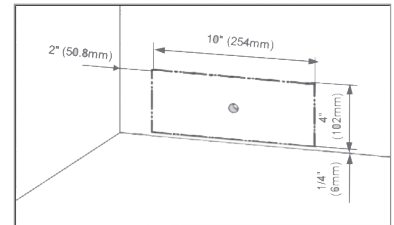
Top View



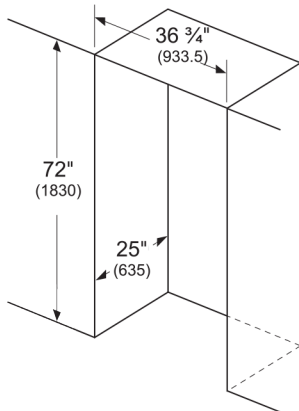
Electrical



Plumbing



measurements in inches (mm)



Drawers can be pulled out with door open to 90°. Drawers can be taken out with door completely opened.

Leave 2" (50.8) gap at the top and 1 3/8" (34.9) behind the refrigerator for proper ventilation.

It is recommended that you do not install the refrigerator near a heat source such as a stove or a range.

**Required Minimum Clearances:**

- Top: 2"
- Sides: 1/2" on each side
- Back: 1 3/8"

NOTE TO THE INSTALLER: All height, width, and depth dimensions are shown in inches (as well as metric). Beko U.S., Inc. reserves the absolute and unrestricted right to change product materials and specifications, at any time, without notice. Please visit our website at [www.BlombergAppliances.com](http://www.BlombergAppliances.com) or call 888.352.2356 to verify the latest specifications with final dimensional data and other details prior to installation and making a cutout. Applicable product limited warranty information may be found in accompanying product materials, or you may contact your account manager for further details. Proper installation is the responsibility of the installer. Product failure due to improper installation is not covered under the Limited Warranty.

IN HARMONY WITH NATURE, YOUR LIFE, AND YOU.