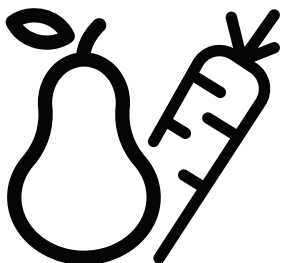


Blomberg

Refrigerator
User Manual

Réfrigérateur
Manuel d'utilisation

Refrigerador
Manual del usuario



BRFB 1050 FFBIN - BRFB 1051 FFBIN - BRFB1051 FFBI2



EN / FR / ES

57 4937 0000/AL

Please read this user manual first!

Dear Customer,

We hope that your product, which has been produced in modern plants and checked under the most meticulous quality control procedures, will provide you an effective service.

Therefore, read this entire user manual carefully before using the product and keep it as a reference. If you handover the product to someone else, give the user manual as well.

The user manual will help you use the product in a fast and safe way.

- Read the manual before installing and operating the product.
- Make sure you read the safety instructions.
- Keep the manual in an easily accessible place as you may need it later.
- Read the other documents given with the product.

Remember that this user manual is also applicable for several other models. Differences between models will be identified in the manual.

Explanation of symbols

Throughout this user manual the following symbols are used:

 Important information or useful tips.

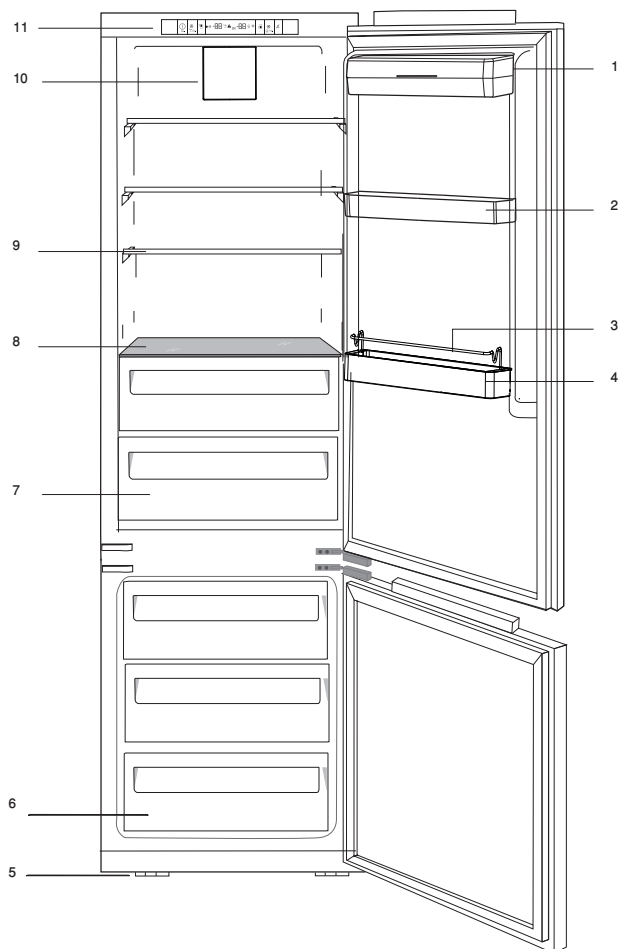
 Warning against dangerous conditions for life and property.

 Warning against electric voltage.

CONTENTS

1 Your refrigerator	3	4 Preparation	11
2 Important Safety Warnings	4	Reversing the doors	12
Intended use	4	5 Using your refrigerator	14
For products with a water dispenser; ..	6	Freezing fresh food	16
Child safety.....	6	Recommendations for preservation of frozen food	17
Compliance with WEEE Directive and Disposing of the Waste Product:	6	Placing the food	17
Compliance with RoHS Directive:	7	Deep-freeze information	17
Package information	7	6 Maintenance and cleaning	18
HC Warning	7	Protection of plastic surfaces	18
Things to be done for energy saving ..	8	7 Troubleshooting	19
3 Installation	9		
Points to be paid attention to when the relocation of the refrigerator	9		
Electrical connection.....	9		
Door Open Warning.....	10		
Changing the illumination lamp	10		
Disposing of the packaging	10		
Disposing of your old refrigerator	10		
Placing and Installation	10		

1 Your refrigerator



- | | |
|-----------------------------|----------------------------|
| 1. Butter & Cheese sections | 7. Crisper |
| 2. Adjustable door shelves | 8. Crisper cover and glass |
| 3. Bottle holder | 9. Adjustable shelves |
| 4. Bottle shelf | 10. Fan |
| 5. Adjustable front feet | 11. Indicator panel |
| 6. Freezer compartment | |

i Figures that take place in this instruction manual are schematic and may not correspond exactly with your product. If the subject parts are not included in the product you have purchased, then it is valid for other models.

2 Important Safety Warnings

Please review the following information. Failure to observe this information may cause injuries or material damage. Otherwise, all warranty and reliability commitments will become invalid.

The usage life of the unit you purchased is 10 years. This is the period for keeping the spare parts required for the unit to operate as described.

Intended use

This product is intended to be used

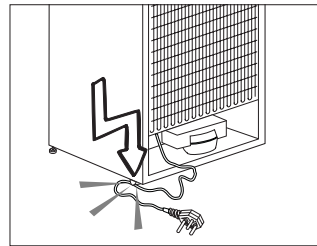
- indoors and in closed areas such as homes;
- in closed working environments such as stores and offices;
- in closed accommodation areas such as farm houses, hotels, pensions.
- This product should not be used outdoors.

General safety

- When you want to dispose/scrap the product, we recommend you to consult the authorized service in order to learn the required information and authorized bodies.
- Consult your authorized service for all your questions and problems related to the refrigerator. Do not intervene or let someone intervene to the refrigerator without notifying the authorised services.
- For products with a freezer compartment; Do not eat cone ice cream and ice cubes immediately after you take them out of the freezer compartment! (This may cause frostbite in your mouth.)

- For products with a freezer compartment; Do not put bottled and canned liquid beverages in the freezer compartment. Otherwise, these may burst.
- Do not touch frozen food by hand; they may stick to your hand.
- Unplug your refrigerator before cleaning or defrosting.
- Vapor and vaporized cleaning materials should never be used in cleaning and defrosting processes of your refrigerator. In such cases, the vapor may get in contact with the electrical parts and cause short circuit or electric shock.
- Never use the parts on your refrigerator such as the door as a means of support or step.
- Do not use electrical devices inside the refrigerator.
- Do not damage the parts, where the refrigerant is circulating, with drilling or cutting tools. The refrigerant that might blow out when the gas channels of the evaporator, pipe extensions or surface coatings are punctured causes skin irritations and eye injuries.
- Do not cover or block the ventilation holes on your refrigerator with any material.
- Electrical devices must be repaired by only authorised persons. Repairs performed by incompetent persons create a risk for the user.

- In case of any failure or during a maintenance or repair work, disconnect your refrigerator's mains supply by either turning off the relevant fuse or unplugging your appliance.
- Do not pull by the cable when pulling off the plug.
- Place the beverage with higher proofs tightly closed and vertically.
- Never store spray cans containing flammable and explosive substances in the refrigerator.
- Do not use mechanical devices or other means to accelerate the defrosting process, other than those recommended by the manufacturer.
- This product is not intended to be used by persons with physical, sensory or mental disorders or unlearned or inexperienced people (including children) unless they are attended by a person who will be responsible for their safety or who will instruct them accordingly for use of the product
- Do not operate a damaged refrigerator. Consult with the service agent if you have any concerns.
- Electrical safety of your refrigerator shall be guaranteed only if the earth system in your house complies with standards.
- Exposing the product to rain, snow, sun and wind is dangerous with respect to electrical safety.
- Contact authorized service when there is a power cable damage to avoid danger.
- Never plug the refrigerator into the wall outlet during installation. Otherwise, risk of death or serious injury may arise.
- This refrigerator is intended for only storing food items. It must not be used for any other purpose.
- Label of technical specifications is located on the left wall inside the refrigerator.
- Never connect your refrigerator to electricity-saving systems; they may damage the refrigerator.
- If there is a blue light on the refrigerator, do not look at the blue light with optical tools.
- For manually controlled refrigerators, wait for at least 5 minutes to start the refrigerator after power failure.
- This operation manual should be handed in to the new owner of the product when it is given to others.
- Avoid causing damage on power cable when transporting the refrigerator. Bending cable may cause fire. Never place heavy objects on power cable. Do not touch the plug with wet hands when plugging the product.



- Do not plug the refrigerator if the wall outlet is loose.
- Water should not be sprayed directly on inner or outer parts of the product for safety purposes.
- Do not spray substances containing inflammable gases such as propane gas near the refrigerator to avoid fire and explosion risk.

- Never place containers filled with water on top of the refrigerator, otherwise this may cause electric shock or fire.
- Do not overload your refrigerator with excessive amounts of food. If overloaded, the food items may fall down and hurt you and damage refrigerator when you open the door. Never place objects on top of the refrigerator; otherwise, these objects may fall down when you open or close the refrigerator's door.
- As they require a precise temperature, vaccines, heat-sensitive medicine and scientific materials and etc. should not be kept in the refrigerator.
- If not to be used for a long time, refrigerator should be unplugged. A possible problem in power cable may cause fire.
- The plug's tip should be regularly cleaned; otherwise, it may cause fire.
- The plug's tip should be cleaned regularly with a dry cloth; otherwise, it may cause fire.
- Refrigerator may move if adjustable legs are not properly secured on the floor. Properly securing adjustable legs on the floor can prevent the refrigerator to move.
- When carrying the refrigerator, do not hold it from door handle. Otherwise, it may be snapped.
- When you have to place your product next to another refrigerator or freezer, the distance between devices should be at least 8cm. Otherwise, adjacent side walls may be humidified.

For products with a water dispenser;

Pressure of water mains should be minimum 1 bar. Pressure of water mains should be maximum 8 bars.

- Use only potable water.

Child safety

- If the door has a lock, the key should be kept away from reach of children.
- Children must be supervised to prevent them from tampering with the product.

⚠ DANGER: Risk of child entrapment. Before you throw away your old refrigerator or freezer :

Take off the doors. Leave the shelves in place so that children may not easily climb inside.

Compliance with WEEE Directive and Disposing of the Waste Product:

This product complies with EU WEEE Directive (2012/19/EU). This product bears a classification symbol for waste electrical and electronic equipment (WEEE). This product has been manufactured with high quality parts and materials which can be reused and are suitable for recycling. Do not dispose of the waste product with normal domestic



and other wastes at the end of its service life. Take it to the collection center for the recycling of electrical and electronic equipment. Please consult your local authorities to learn about these collection centers.

Compliance with RoHS Directive:

The product you have purchased complies with EU RoHS Directive (2011/65/EU). It does not contain harmful and prohibited materials specified in the Directive.

Package information

Packaging materials of the product are manufactured from recyclable materials in accordance with our National Environment Regulations. Do not dispose of the packaging materials together with the domestic or other wastes. Take them to the packaging material collection points designated by the local authorities.

⚠ DANGER: Risk of child entrapment. Before you throw away your old refrigerator or freezer:

- Take off the doors.
- Leave the shelves in place so that children may not easily climb inside.

HC Warning

If your product's cooling system contains R600a:

This gas is flammable. Therefore, pay attention to not damaging the cooling system and piping during usage and transportation. In the event of damage, keep your product away from potential fire sources that can cause the product

catch a fire and ventilate the room in which the unit is placed.

⚠ DANGER – Risk Of Fire or Explosion. Flammable Refrigerant Used. Do Not Use Mechanical Devices To Defrost Refrigerator. Do Not Puncture Refrigerant Tubing”.

⚠ DANGER – Risk Of Fire Or Explosion. Flammable Refrigerant Used. To Be Repaired Only By Trained Service Personnel. Do Not Puncture Refrigerant Tubing”.

⚠ CAUTION – Risk Of Fire Or Explosion. Flammable Refrigerant Used. Consult Repair Manual/Owner’s Guide Before Attempting To Service This Product. All Safety Precautions Must be Followed.

⚠ CAUTION – Risk Of Fire Or Explosion. Dispose Of Property In Accordance With Federal Or Local Regulations. Flammable Refrigerant Used.

⚠ CAUTION– Risk Of Fire Or Explosion Due To Puncture Of Refrigerant Tubing; Follow Handling Instructions Carefully. Flammable Refrigerant Used”.

Ignore this warning if your product's cooling system contains R134a.

Type of gas used in the product is stated in the type plate which is on the left wall inside the refrigerator.

Never throw the product in fire for disposal.

Things to be done for energy saving

- Do not leave the doors of your refrigerator open for a long time.
- Do not put hot food or drinks in your refrigerator.
- Do not overload your refrigerator so that the air circulation inside of it is not prevented.
- Do not install your refrigerator under direct sunlight or near heat emitting appliances such as ovens, dishwashers or radiators.
- Pay attention to keep your food in closed containers.
- For products with a freezer compartment; You can store maximum amount of food items in the freezer when you remove the shelf or drawer of the freezer. Energy consumption value stated for your refrigerator has been determined by removing freezer shelf or drawer and under maximum load. There is no harm to use a shelf or drawer according to the shapes and size of food to be frozen.
- Thawing frozen food in fridge compartment will both provide energy saving and preserve the food quality.

3 Installation

⚠ In case the information which are given in the user manual are not taken into account, manufacturer will not assume any liability for this.

Points to be paid attention to when the relocation of the refrigerator

1. Your refrigerator should be unplugged. Before transportation of your refrigerator, it should be emptied and cleaned.

2. Before it is re-packaged, shelves, accessories, crisper, etc. inside your refrigerator should be fixed with adhesive tape and secured against impacts. Package should be bound with a thick tape or sound ropes and the transportation rules on the package should be strictly observed.

3. Original packaging and foam materials should be kept for future transportations or moving.

Before you start the refrigerator,

Check the following before you start to use your refrigerator:

1. Attach 2 plastic wedges as illustrated below. Plastic wedges are intended to keep the distance which will ensure the air circulation between your refrigerator and the wall. (The picture is drawn up as a representation and it is not identical with your product.)

2. Clean the interior of the refrigerator as recommended in the "Maintenance and cleaning" section.

3. Connect the plug of the refrigerator to the wall socket. When the fridge door is opened, fridge internal lamp will turn on.

4. When the compressor starts to operate, a sound will be heard. The liquid and gases sealed within the refrigeration system may also give rise to noise, even if the compressor is not running and this is quite normal.

5. Front edges of the refrigerator may feel warm. This is normal. These areas are designed to be warm to avoid condensation.

Electrical connection

Connect your product to a grounded socket which is being protected by a fuse with the appropriate capacity.

Important:

The connection must be in compliance with national regulations.

- The power plug must be easily accessible after installation.
- Electrical safety of your refrigerator shall be guaranteed only if the earth system in your house complies with standards.
- The voltage stated on the label located at left inner side of your product should be equal to your network voltage.
- Extension cables and multi plugs must not be used for connection.

⚠ A damaged power cable must be replaced by a qualified electrician.

⚠ Product must not be operated before it is repaired! There is the risk of electric shock!

Disposing of the packaging

The packing materials may be dangerous for children. Keep the packing materials out of the reach of children or dispose of them by classifying them in accordance with the waste instructions stated by your local authorities. Do not throw away with regular house waste, throw away on packaging pick up spots designated by the local authorities.

The packing of your refrigerator is produced from recyclable materials.


Disposing of your old refrigerator

Dispose of your old refrigerator without giving any harm to the environment.

- You may consult your authorized dealer or waste collection center of your municipality about the disposal of your refrigerator.

Before disposing of your refrigerator, cut out the electric plug and, if there are any locks on the door, make them inoperable in order to protect children against any danger.

Placing and Installation

 If the entrance door of the room where the refrigerator will be installed is not wide enough for the refrigerator to pass through, then call the authorized service to have them remove the doors of your refrigerator and pass it sideways through the door.

1. Install your refrigerator to a place that allows ease of use.

2. Keep your refrigerator away from heat sources, humid places and direct sunlight.

3. There must be appropriate air ventilation around your refrigerator in order to achieve an efficient operation. If the refrigerator is to be placed in a recess in the wall, there must be at least 5 cm distance with the ceiling and at least 5 cm with the wall. Do not place your product on the materials such as rug or carpet.

4. Place your refrigerator on an even floor surface to prevent jolts.

Door Open Warning

***May not be available in all models**

An audio warning signal will be given when the door of your product is left open for at least 1 minute. This warning will be muted when the door is closed or any of the display buttons (if any) are pressed.

Changing the illumination lamp

To change the Bulb/LED used for illumination of your refrigerator, call your AuthorisedService.

The lamp(s) used in this appliance is not suitable for household room illumination. The intended purpose of this lamp is to assist the user to place foodstuffs in the refrigerator/freezer in a safe and comfortable way. The lamps used in this appliance have to withstand extreme physical conditions such as temperatures below -20 °C.

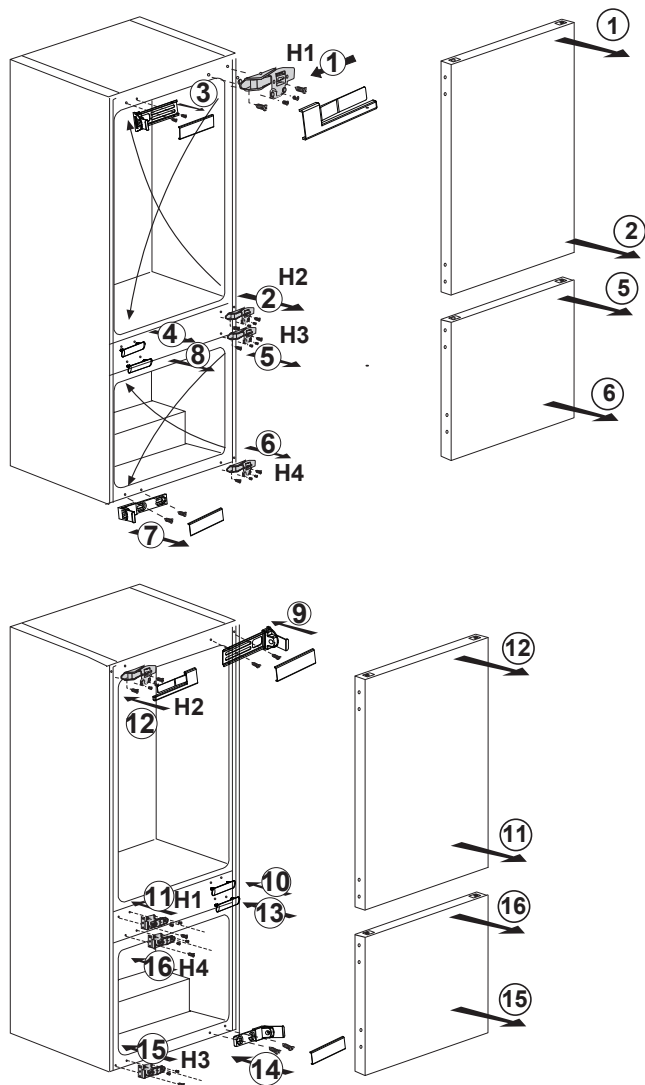
(only chest and upright freezer)

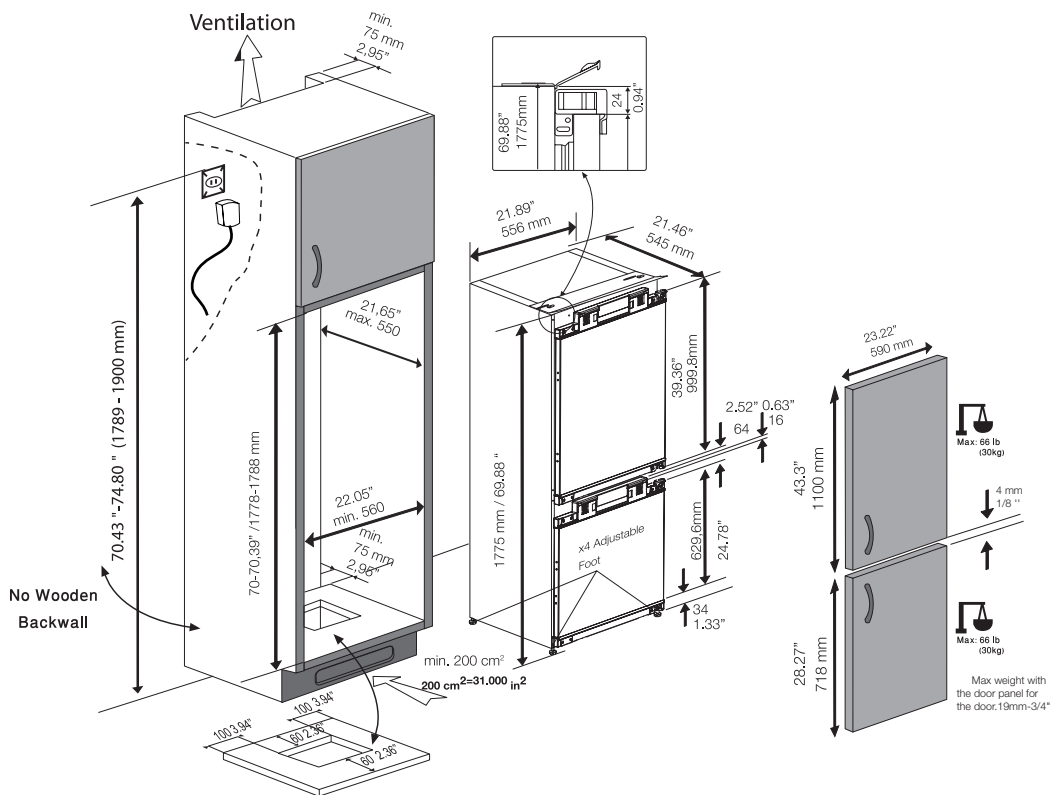
4 Preparation

- Your refrigerator should be installed at least 30 cm away from heat sources such as hobs, ovens, central heater and stoves and at least 5 cm away from electrical ovens and should not be located under direct sunlight.
- The ambient temperature of the room where you install your refrigerator should at least be 50°F. Operating your refrigerator under cooler conditions than this is not recommended with regard to its efficiency.
- Please make sure that the interior of your refrigerator is cleaned thoroughly.
- If two refrigerators are to be installed side by side, there should be at least 2 cm distance between them.
- When you operate your refrigerator for the first time, please observe the following instructions during the initial six hours.
- The door should not be opened frequently.
- It must be operated empty without any food in it.
- Do not unplug your refrigerator. If a power failure occurs out of your control, please see the warnings in the "Recommended solutions for the problems" section.
- Original packaging and foam materials should be kept for future transportations or moving.
- Since hot and humid air will not directly penetrate into your product when the doors are not opened, your product will optimize itself in conditions sufficient to protect your food. Functions and components such as compressor, fan, heater, defrost, lighting, display and so on will operate according to the needs to consume minimum energy under these circumstances.

Reversing the doors

Proceed in numerical order



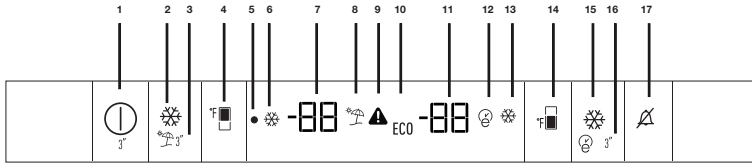


(H) Height (cm) unpacked	177.5 cm /69.88"
(W) Width (cm) unpacked	55.6 cm /21.89"
(D) Depth (cm) unpacked	54.5 cm /21.46"

(H) Height (cm)packed	185.6 cm /73.07 "
(W) Width (cm)packed	57.6 cm /22.68 "
(D) Depth (cm)packed	58.5 cm/23.03"

Gross Weight (Kg) / lbs	73 kg /160.94
Net Weight (Kg) / lbs	68.9 kg /151.9

5 Using your refrigerator



1- On/Off function

Press the On/Off button for 3 seconds to turn off or turn on the fridge.

2- Quick Fridge Function

When you press Quick Fridge button, the temperature of the compartment will be colder than the adjusted values.

This function can be used for food placed in the fridge compartment and required to be cooled down rapidly.

If you want to cool large amounts of fresh food, it is recommended to active this feature before putting the food

into the fridge. Quick Fridge indicator will remain lit when the Quick Fridge function is enabled. To cancel this

function press Quick Fridge button again. Quick Fridge indicator will turn off and return to its normal settings.

If you do not cancel it, Quick Fridge will cancel itself automatically after 2 hours or when the fridge compartment

reaches to the required temperature. This function is not recalled when power restores after a power failure.

3-Vacation Function

Press the Quick Fridge\Vacation button for 3 seconds to activate Vacation function.

"--" icon comes on when the function is active. Function is deactivated by pressing the same button for 3 seconds again or by pressing Fridge set button.

4- Fridge Set Function

This function allows you to make the fridge compartment temperature setting. Press this button to set the temperature of the fridge compartment to 37, 40, 43, 46 °F respectively.

5- Off Indicator

Off Indicator lits when the fridge is "Off" mode.

6- Quick Fridge Indicator

This icon lits when the Quick Fridge function is active.

7- Fridge Compartment Temperature Setting Indicator

Indicates the temperature set for the Fridge Compartment.

8- Vacation Indicator

This icon lits when the Vacation function is active.

i Figures that take place in this instruction manual are schematic and may not correspond exactly with your product. If the subject parts are not included in the product you have purchased, then it is valid for other models.

9- High Temperature Error / Warning Indicator

This light comes on during high temperature failures and error warnings.

10- Economic Usage Indicator

Economic Usage Indicator turns on when the Freezer Compartment is set to 5°F. Economic Usage Indicator turns off when the Quick Fridge or Quick Freeze function is selected.

11- Freezer Compartment

Temperature Setting Indicator Indicates the temperature set for the Freezer Compartment.

12- Eco-Extra Indicator

Eco-Extra Indicator lits when the Eco Extra function is active.

13- Quick Freeze Indicator

This indicator lits when the Quick Freezer function is active.

14- Freezer Set Function

This function allows you to make the freezer compartment temperature setting. Press this button to set the temperature of the freezer

compartment to 5, 0, -5, -10 °F respectively.

15- Quick Freeze Function

Quick Freeze indicator turns on when the Quick Freeze function is on. To cancel this function press Quick Freeze button again. Quick Freeze indicator will turn off and return to its normal settings. If you do not cancel it, Quick

Freeze will cancel itself automatically after 4 hours or when the freezer compartment reaches to the required temperature.

If you want to freeze large amounts of fresh food, press the Quick Freeze button before putting the food into the freezer compartment. If you press the

Quick Freeze button repeatedly with short intervals, the electronic circuit protection will be activated immediately.

This function is not recalled when power restores after a power failure.

16- Eco-Extra (Special Economic Usage) Function

Press the Quick Freeze\Eco Extra button for 3 seconds to activate the Eco Extra Function. Refrigerator will start operating in the most economic mode

at least 6 hours later and the economic usage indicator will turn on when the function is active. Press the Quick Freeze button for 3 seconds again to deactivate the Eco Fuzzy Function.

17- Alarm Off

When the fridge door is opened for 2 minutes or when there a sensor failure, a sound alarm turns on. Alarm can be turned off by pressing "Alarm Off" button.

Sensor failure alarm will not sound till power failure. If you close the door and then open again "Door open alarm" will be activated again after 2 minutes later.

Freezer Compartment Adjustment	Fridge Compartment Adjustment	Explanations
5°F	40°F	This is the normal recommended setting.
0,-5 or -10°F	40°F	These settings are recommended when the ambient temperature exceeds 91°F.
Quick Freeze	40°F	Use when you wish to freeze your food in a short time. Your refrigerator will return to its previous mode when the process is over.
-5°F or colder	37°F	If you think that your fridge compartment is not cold enough because of the hot conditions or frequent opening and closing of the door.
-5°F or colder	Quick Freeze	You can use it when your fridge compartment is overloaded or if you wish to cool down your food rapidly. It is recommended that you activate quick fridge function 4-8 hours before placing the food.


Recommended Using Temperature: FF: 4°C /40 °F Frz : -15°C/5 °F

Freezing fresh food

- It must be preferred to wrap or cover the food before placing them in the refrigerator.
 - Hot food must cool down to the room temperature before putting them in the refrigerator.
 - The foodstuff that you want to freeze must be fresh and in good quality.
 - Foodstuff must be divided into portions according to the family's daily or meal based consumption needs.
 - The foodstuff must be packaged in an airtight manner to prevent them from drying even if they are going to be kept for a short time.
- Materials to be used for packaging must be tear-proof and resistant to cold, humidity, odor, oils and acids and they must also be airtight. Moreover, they must be well closed and they must be made from easy-to-use materials that are suitable for deep freeze usage.
 - Frozen food must be used immediately after they are thawed and they should never be re-frozen.
 - Please observe the following instructions to obtain the best results.
 1. Do not freeze too large quantities of food at one time. The quality of the food is best preserved when it is frozen right through to the core as quickly as possible.
 2. Placing warm food into the freezer compartment causes the cooling system to operate continuously until the food is frozen solid.

3. Take special care not to mix already frozen food and fresh food.

Recommendations for preservation of frozen food

- Prepacked commercially frozen food should be stored in accordance with the frozen food manufacturer's instructions for a  (4 star) frozen food storage compartment.
- To ensure that the high quality achieved by the frozen food manufacturer and the food retailer is maintained, the following should be remembered:
 1. Put packages in the freezer as quickly as possible after purchase.
 2. Ensure that contents are labeled and dated.
 3. Do not exceed "Use By", "Best Before" dates on the packaging.

Defrosting

The freezer compartment defrosts automatically.

Placing the food

Freezer compartment shelves	Various frozen food such as meat, fish, ice cream, vegetables and etc.
Egg tray	Egg
Fridge compartment shelves	Food in pans, covered plates and closed containers
Fridge compartment door shelves	Small and packaged food or drinks (such as milk, fruit juice and beer)

Crisper	Vegetables and fruits
Freshzone compartment	Delicatessen products (cheese, butter, salami and etc.)

Deep-freeze information

Food must be frozen as rapidly as possible when they are put in a refrigerator in order to keep them in good quality.

It is possible to keep the food for a long time only at 0°F or lower temperatures.

You can keep the freshness of food for many months (at 0°F or lower temperatures in the deep freeze).

WARNING!

- Foodstuff must be divided into portions according to the family's daily or meal based consumption needs.
- Foodstuff must be packaged in an airtight manner to prevent them from drying even if they are going to be kept for a short time.
- Materials necessary for packaging:
 - Cold resistant adhesive tape
 - Self adhesive label
 - Rubber rings
 - Pen

Materials to be used for packaging the foodstuff must be tear-proof and resistant to cold, humidity, odor, oils and acids.

Foodstuff to be frozen should not be allowed to come in contact with the previously frozen items to prevent their partial thawing.

Frozen food must be used immediately after they are thawed and they should never be re-frozen.

6 Maintenance and cleaning

- ⚠ Never use gasoline, benzene or similar substances for cleaning purposes.
- ⚠ We recommend that you unplug the appliance before cleaning.
- ⚠ Never use any sharp abrasive instrument, soap, household cleaner, detergent and wax polish for cleaning.
- ℹ Use lukewarm water to clean the cabinet of your refrigerator and wipe it dry.
- ℹ Use a damp cloth wrung out in a solution of one teaspoon of bicarbonate of soda to one pint of water to clean the interior and wipe it dry.
- ⚠ Make sure that no water enters the lamp housing and other electrical items.
- ⚠ If your refrigerator is not going to be used for a long period of time, unplug the power cable, remove all food, clean it and leave the door ajar.
- ℹ Check door seals regularly to ensure they are clean and free from food particles.
- ⚠ To remove door racks, remove all the contents and then simply push the door rack upwards from the base.
- ⚠ Never use cleaning agents or water that contain chlorine to clean the outer surfaces and chromium coated parts of the product. Chlorine causes corrosion on such metal surfaces.
- ⚠ Do not use sharp, abrasive tools, soap, household cleaning agents, detergents, kerosene, fuel oil, varnish etc. to prevent removal and deformation of the prints on the plastic part. Use lukewarm water and a soft cloth for cleaning and then wipe it dry.

Protection of plastic surfaces

- ℹ Do not put the liquid oils or oil-cooked meals in your refrigerator in unsealed containers as they damage the plastic surfaces of your refrigerator. In case of spilling or smearing oil on the plastic surfaces, clean and rinse the relevant part of the surface at once with warm water.

7 Troubleshooting

Please review this list before calling the service. It will save your time and money. This list includes frequent complaints that are not arising from defective workmanship or material usage. Some of the features described here may not exist in your product.

The refrigerator does not operate.
<ul style="list-style-type: none">• The plug is not inserted into the socket correctly. >>>Insert the plug into the socket securely.• The fuse of the socket which your refrigerator is connected to or the main fuse have blown out. >>>Check the fuse.
Condensation on the side wall of the fridge compartment (MULTIZONE, COOL CONTROL and FLEXI ZONE).
<ul style="list-style-type: none">• Door has been opened frequently. >>>Do not open and close the door of refrigerator frequently.• Ambient is very humid. >>>Do not install your refrigerator into highly humid places.• Food containing liquid is stored in open containers. >>>Do not store food with liquid content in open containers.• Door of the refrigerator is left ajar. >>>Close the door of the refrigerator.• Thermostat is set to a very cold level. >>>Set the thermostat to a suitable level.
• Compressor is not running
<ul style="list-style-type: none">• Protective thermic of the compressor will blow out during sudden power failures or plug-out plug-ins as the refrigerant pressure in the cooling system of the refrigerator has not been balanced yet. The refrigerator will start running approximately after 6 minutes. Please call the service if the refrigerator does not startup at the end of this period.• The fridge is in defrost cycle. >>>This is normal for a full-automatically defrosting refrigerator. Defrosting cycle occurs periodically.• The refrigerator is not plugged into the socket. >>>Make sure that the plug is fit into the socket.• Temperature settings are not made correctly. >>>Select the suitable temperature value.• There is a power outage. >>>Refrigerator returns to normal operation when the power restores.
The operation noise increases when the refrigerator is running.
<ul style="list-style-type: none">• The operating performance of the refrigerator may change due to the changes in the ambient temperature. It is normal and not a fault.
The refrigerator is running frequently or for a long time.

- New product may be wider than the previous one. Larger refrigerators operate for a longer period of time.
- The room temperature may be high. >>>It is normal that the product operates for longer periods in hot ambient.
- The refrigerator might be plugged in recently or might be loaded with food. >>>When the refrigerator is plugged in or loaded with food recently, it will take longer for it to attain the set temperature. This is normal.
- Large amounts of hot food might be put in the refrigerator recently. >>>Do not put hot food into the refrigerator.
- Doors might be opened frequently or left ajar for a long time. >>>The warm air that has entered into the refrigerator causes the refrigerator to run for longer periods. Do not open the doors frequently.
- Freezer or fridge compartment door might be left ajar. >>>Check if the doors are closed completely.
- The refrigerator is adjusted to a very low temperature. >>>Adjust the refrigerator temperature to a warmer degree and wait until the temperature is achieved.
- Door seal of the fridge or freezer may be soiled, worn out, broken or not properly seated. >>>Clean or replace the seal. Damaged/broken seal causes the refrigerator to run for a longer period of time in order to maintain the current temperature.

Freezer temperature is very low while the fridge temperature is sufficient.

- The freezer temperature is adjusted to a very low value. >>>Adjust the freezer temperature to a warmer degree and check.

Fridge temperature is very low while the freezer temperature is sufficient.

- The fridge temperature is adjusted to a very low value. >>>Adjust the fridge temperature to a warmer degree and check.

Food kept in the fridge compartment drawers is frozen.

- The fridge temperature is adjusted to a very high value. >>>Adjust the fridge temperature to a lower value and check.

Temperature in the fridge or freezer is very high.

- The fridge temperature is adjusted to a very high value. >>>Fridge compartment temperature setting has an effect on the temperature of the freezer. Change the temperatures of the fridge or freezer and wait until the relevant compartments attain a sufficient temperature.
- Doors are opened frequently or left ajar for a long time. >>>Do not open the doors frequently.
- Door is ajar. >>>Close the door completely.
- The refrigerator is plugged in or loaded with food recently. >>>This is normal. When the refrigerator is plugged in or loaded with food recently, it will take longer for it to attain the set temperature.
- Large amounts of hot food might be put in the refrigerator recently. >>>Do not put hot food into the refrigerator.
- Vibrations or noise.

<ul style="list-style-type: none"> • The floor is not level or stable. >>> If the refrigerator rocks when moved slowly, balance it by adjusting its feet. Also make sure that the floor is strong enough to carry the refrigerator, and level. • The items put onto the refrigerator may cause noise. >>>Remove the items on top of the refrigerator.
There are noises coming from the refrigerator like liquid flowing, spraying, etc.
<ul style="list-style-type: none"> • Liquid and gas flows occur in accordance with the operating principles of your refrigerator. It is normal and not a fault.
Whistle comes from the refrigerator.
<ul style="list-style-type: none"> • Fans are used in order to cool the refrigerator. It is normal and not a fault.
Condensation on the inner walls of refrigerator.
<ul style="list-style-type: none"> • Hot and humid weather increases icing and condensation. It is normal and not a fault. • Doors are opened frequently or left ajar for a long time. >>>Do not open the doors frequently. Close them if they are open. • Door is ajar. >>>Close the door completely.
Humidity occurs on the outside of the refrigerator or between the doors.
<ul style="list-style-type: none"> • There might be humidity in the air; this is quite normal in humid weather. When the humidity is less, condensation will disappear.
Bad odour inside the refrigerator.
<ul style="list-style-type: none"> • No regular cleaning is performed. >>>Clean the inside of the refrigerator regularly with a sponge, lukewarm water or carbonate dissolved in water. • Some containers or package materials may cause the smell. >>>Use a different container or different brand packaging material. • Food is put into the refrigerator in uncovered containers. >>>Keep the food in closed containers. Microorganisms spreading out from uncovered containers can cause unpleasant odours. • Remove the foods that have expired best before dates and spoiled from the refrigerator.
The door is not closing.
<ul style="list-style-type: none"> • Food packages are preventing the door from closing. >>>Replace the packages that are obstructing the door. • The refrigerator is not completely even on the floor. >>>Adjust the feet to balance the refrigerator. • The floor is not level or strong. >>>Make sure that the floor is level and capable to carry the refrigerator.
Crispers are stuck.
<ul style="list-style-type: none"> • The food is touching the ceiling of the drawer. >>>Rearrange food in the drawer.

 **WARNING:**

- This product can expose you to chemicals including Nickel (Metallic) which is known to the State of California to cause cancer.
- For more information go to www.P65Warnings.ca.gov
- Note : Nickel is a component in all stainless steel and some other metal components.

BLOMBERG US RESIDENTIAL PRODUCT WARRANTY

The warranties provided by Blomberg in these statements only apply to Blomberg appliance sold to the original purchaser or homeowner in the US (including Alaska, Hawaii, Puerto Rico and the US Virgin Islands) and The Cayman Islands.

The factory warranty applies only to products purchased through an authorized dealer or authorized reseller. Go to www.blombergappliances.com/where-to-buy for a list of authorized dealers. Products purchased through non-authorized dealers and wholesalers will not be covered under the manufacturer's warranty.

The warranty is not transferable. To obtain warranty service, please contact your dealer or contact us at www.blombergappliances.com/support/beforecallcenter/. You will need your product model number, serial number, retailer name and address, where purchased and purchase date / installation date. This warranty gives you specific legal rights, and you may also have other rights which vary from state to state. Also, please make sure you register your product for warranty at: <https://www.blombergappliances.com/product-registration/>

1 year (*) full warranty from date of first installation (All Blomberg Products)

Blomberg will repair or replace at no cost to the consumer any defective parts if used under normal household conditions.

(Warranty is void if the product is used commercially e.g., bed + breakfast, nursing home, etc.). Service must also be performed by an authorized Blomberg service agency. (Cosmetic defects must be reported within 10 business days from installation). 1-year warranty on the accessories is for the parts only and does not include labor.

2 year (*, **) Parts Warranty

Blomberg offers limited warranty from date of first installation on Parts Only. Blomberg will repair or replace any parts at no cost to the consumer if material defects or workmanship have caused the damage or failure of these components. Labor charges are the responsibility of the consumer.

3rd thru 5th year (*, **) Sealed System Warranty on refrigerators – Parts Only

Blomberg will provide (No Charge) any compressor, evaporator, condenser and filter Dryer to the consumer if material defects or workmanship have caused the damage or failure of these components.

(Trip and Labor charges are the responsibility of the consumer)

Disclaimers of warranties and exclusions:

Warranty does not cover service costs by an authorized service agent to correct installation, electrical problems or educational instruction on the use of the electric or gas ranges. The warranty also does not cover defects or damages caused by an act of God (such as storms, floods, fires, mudslides, etc.), damage caused by use of the electric and gas ranges for purposes other than those for which it was designed, misuse, abuse, accident, alteration, improper installation, maintenance, travel fees, service calls outside normal service hours, pick up and delivery, any food loss due to product failure, unauthorized service work or work.

This product is fully tested and went through official quality assurance inspections before leaving the original manufacturing site. Warranty terms for this Blomberg household appliance is not valid if the product is altered, tampered, modified, additional parts assembled, fixed and re-packed by an authorized distributor, servicer, a third-party retailer, reseller or by any other unauthorized person(s).

TO THE EXTENT PERMITTED BY LAW, THIS WARRANTY IS IN LIEU OF ALL OTHER EXPRESSED AND IMPLIED WARRANTIES, INCLUDING THE IMPLIED WARRANTIES OF MERCHANTABILITY AND FITNESS FOR A PARTICULAR PURPOSE. BLOMBERG UNDERTAKES NO RESPONSIBILITY FOR THE QUALITY OF THIS PRODUCT EXCEPT AS OTHERWISE PROVIDED IN THIS WARRANTY STATEMENT. BLOMBERG ASSUMES NO RESPONSIBILITY THAT THE PRODUCT WILL BE FIT FOR ANY PARTICULAR PURPOSE FOR WHICH YOU MAY BE BUYING THIS PRODUCT, EXCEPT AS OTHERWISE PROVIDED IN THIS WARRANTY STATEMENT.

Blomberg does not assume any responsibility for incidental or consequential damages. Such damages include, but are not limited to, loss of profits, loss of savings or revenue, loss of use of the electric and gas ranges or any associated equipment, cost of capital, cost of any substitute equipment, facilities or services, downtime, the claims of third parties, and injury to property. Some states do not allow the exclusion or limitation of incidental or consequential damages, so the above limitations or exclusion may not apply to you.

(*) Installation date shall refer to either purchase date or 5 business days after delivery of the product to the home, whichever is later.

(**) Parts replaced will assume the identity of the original parts + their original warranty.

No Other Warranties. This Warranty Statement is the complete and exclusive warranty from the manufacturer. No employee of Blomberg or any other party is authorized to make any warranty statements in addition to those made in this Warranty Statement.

Please keep this warranty card, user manual and your sales slip for future reference.

HOW TO CONTACT BLOMBERG

Please contact Blomberg US at (888) 352-2356 and select option 2 for customer service.

HOW TO GET SERVICE

Please contact your authorized Blomberg dealer or visit www.blombergappliances.com to locate and get information for the closest authorized Blomberg service center.

Veillez commencer par lire ce manuel d'utilisation!

Cher client,

Nous espérons que votre produit, qui a été fabriqué dans des usines modernes et vérifié au terme des procédures de contrôle de qualité les plus méticuleuses, vous donnera entière satisfaction.

Veillez donc lire attentivement l'intégralité de ce manuel avant de commencer à utiliser le produit et conservez-le manuel comme référence. Si vous remettez cet appareil à quelqu'un d'autre, remettez-lui également le manuel d'utilisation.

Ce manuel vous aidera à utiliser votre produit en toute sécurité et efficacement.

- Lisez le manuel avant d'installer et de faire fonctionner votre produit.
- Veillez à lire les instructions de sécurité.
- Laissez ce manuel dans un endroit facile d'accès car vous pourriez en avoir besoin ultérieurement.
- Lisez également la documentation fournie avec le produit.

N'oubliez pas que le manuel d'utilisation est également valable pour plusieurs autres modèles. Les différences entre les différents modèles seront identifiées dans le manuel.

Explication des symboles

Les symboles ci-dessous sont utilisés dans le manuel d'utilisation:

 Informations importantes ou astuces.

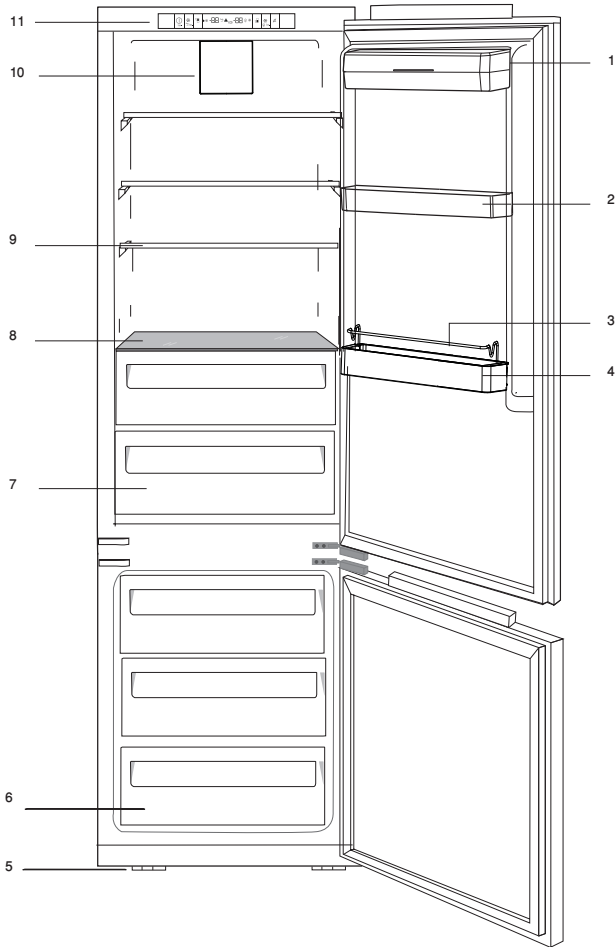
 Avertissement relatif aux situations dangereuses pour la vie et la propriété.

 Avertissement relatif à la tension électrique.

TABLE DES MATIÈRES

1 Votre congélateur/ réfrigérateur	3	4 Préparation	13
2 Précautions de sécurité importantes	4	5 Utilisation de votre réfrigérateur	16
Pour les appareils dotés d'une fontaine à eau ;	7	Système de réfrigération Dual :	19
Sécurité enfants.....	7	Congélation des produits frais	19
Conformité avec la directive DEEE et mise au rebut des déchets :	7	Recommandations concernant la conservation des aliments congelés 20	
Conformité avec la directive LdSD : .	7	Disposition des denrées	21
Informations relatives à l'emballage....	7	Informations concernant la congélation.....	21
Avertissement HC.....	8	6 Entretien et nettoyage	22
Mesures d'économie d'énergie.....	8	Protection des surfaces en plastique.	22
3 Installation	10	7 Dépannage	23
Éléments à prendre en considération lors du déplacement de votre réfrigérateur	10		
Avant de mettre votre réfrigérateur en marche.....	10		
Branchement électrique.....	11		
Mise au rebut de l'emballage	11		
Mise au rebut de votre ancien réfrigérateur	11		
Disposition et Installation	12		
Remplacement de l'ampoule	12		
Alarme porte ouverte	12		

1 Votre congélateur/réfrigérateur



- | | |
|-------------------------------------|--------------------------------|
| 1. Sections pour Beurre et Fromages | 7. Bac à légumes |
| 2. Balconnets réglables | 8. Couverture du bac à légumes |
| 3. Porte-bouteille | 9. Tablettes réglables |
| 4. Porte-bouteilles | 10. Fan |
| 5. Pieds réglables avant | 11. Panneau indicateur |
| 6. Congélateur | |

ⓘ Les illustrations présentées dans cette notice d'utilisation sont schématiques et peuvent ne pas correspondre exactement à votre produit. Si des pièces présentées ne sont pas comprises dans le produit que vous avez acheté, elles sont valables pour d'autres modèles.

2 Précautions de sécurité importantes

Veillez examiner les informations suivantes : Le non respect de ces consignes peut entraîner des blessures ou dommages matériels. Sinon, tout engagement lié à la garantie et à la fiabilité du produit devient invalide.

La durée de vie du produit que vous avez acheté est de 10 ans. Il s'agit ici de la période au cours de laquelle vous devez conserver les pièces de rechange nécessaires à son fonctionnement.

Utilisation Préconisée

AVERTISSEMENT:

Assurez-vous que les trous d'aération ne sont pas fermés quand le dispositif est dans son boîtier ou est installé à sa place.

AVERTISSEMENT:

Ne pas utiliser tout dispositif mécanique ou un autre dispositif hors des recommandations du fabricant pour accélérer le processus de décongeler.

AVERTISSEMENT:

Ne pas endommager le circuit de fluide du réfrigérateur.

AVERTISSEMENT:

Ne pas utiliser des appareils électriques non prévus par le fabricant dans les compartiments de conservation des aliments.

AVERTISSEMENT:

Ne conservez pas de substances explosives comme des aérosols avec un liquide inflammable dans cet appareil.

Ce dispositif est conçu pour l'usage domestique ou les applications similaires suivantes :

- Pour être utilisé dans la cuisine de personnel dans les magasins, bureaux et autres environnements de travail ;

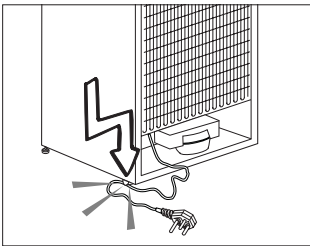
- Pour être utilisé par les clients dans les maisons de campagne et hôtels et les autres environnements d'hébergement ;
- Dans des environnements de type de pension de famille
- Dans des applications similaires n'ayant pas de service alimentaire et non détaillants

Sécurité générale

- Avant de vous débarrasser de votre appareil, veuillez consulter les autorités locales ou votre revendeur pour connaître le mode opératoire et les organismes de collecte agréés.
- Consultez le service après-vente agréé concernant toutes questions ou problèmes relatifs au réfrigérateur. N'intervenez pas ou ne laissez personne intervenir sur le réfrigérateur sans le communiquer au service après-vente agréé.
- Pour les produits équipés d'un compartiment congélateur : ne mangez pas de cônes de crème glacée ou des glaçons immédiatement après les avoir sortis du compartiment de congélation ! (Cela pourrait provoquer des engelures dans votre bouche).
- Pour les produits équipés d'un compartiment congélateur : ne placez pas de boissons en bouteille ou en cannette dans le compartiment de congélation. Cela peut entraîner leur éclatement.
- Ne touchez pas des produits congelés avec les mains, ils pourraient se coller à celles-ci.
- Débranchez votre réfrigérateur avant de le nettoyer ou de le dégivrer.

- La vapeur et des matériaux de nettoyage pulvérisés ne doivent jamais être utilisés pour les processus de nettoyage ou de dégivrage de votre réfrigérateur. La vapeur pourrait pénétrer dans les pièces électriques et provoquer des courts-circuits ou des électrocutions.
- Ne jamais utiliser les pièces de votre réfrigérateur telles que la porte, comme un support ou une marche.
- N'utilisez pas d'appareils électriques à l'intérieur du réfrigérateur.
- N'endommagez pas les pièces où circule le liquide réfrigérant avec des outils de forage ou coupants. Le liquide réfrigérant qui pourrait s'échapper si les canalisations de gaz de l'évaporateur, les rallonges de tuyau ou les revêtements de surface étaient percés, peut irriter la peau et provoquer des blessures aux yeux.
- Ne pas couvrir ou obstruer les orifices de ventilation du réfrigérateur.
- Les appareils électriques peuvent être réparés seulement par des personnes autorisées. Les réparations réalisées par des personnes ne présentant pas les compétences requises peuvent présenter un risque pour l'utilisateur.
- En cas de dysfonctionnement ou lors d'opérations d'entretien ou de réparation, débranchez l'alimentation électrique du réfrigérateur soit en désactivant le fusible correspondant, soit en débranchant l'appareil.
- Ne tirez pas sur le câble lorsque vous débranchez la prise.
- Placez les boissons alcoolisées verticalement, dans des récipients convenablement fermés.
- Ne conservez jamais des aérosols contenant des substances inflammables et explosives dans le réfrigérateur.
- N'utilisez pas d'outils mécaniques ou autres dispositifs pour accélérer le processus de décongélation autres que ceux qui sont recommandés par le fabricant.
- Ce produit n'est pas conçu pour être utilisé par des personnes (enfants compris) souffrant de déficience physique, sensorielle, mentale, ou inexpérimentées, à moins d'avoir obtenu une autorisation auprès des personnes responsables de leur sécurité.
- Ne faites pas fonctionner un réfrigérateur endommagé. Consultez le service agréé en cas de problème.
- La sécurité électrique du réfrigérateur n'est assurée que si le système de mise à la terre de votre domicile est conforme aux normes en vigueur.
- L'exposition du produit à la pluie, la neige, au soleil ou au vent présente des risques concernant la sécurité électrique.
- Contactez le service agréé quand un câble d'alimentation est endommagé pour éviter tout danger.
- Ne branchez jamais le réfrigérateur à la prise murale au cours de l'installation. Vous vous exposeriez à un risque de mort ou à de blessures graves.
- Ce réfrigérateur est conçu seulement pour conserver des aliments. Par conséquent, il ne doit pas être utilisé à d'autres fins.

- L'étiquette avec les caractéristiques techniques est située sur le mur gauche à l'intérieur du réfrigérateur.
- Ne branchez jamais votre réfrigérateur à des systèmes d'économie d'énergie, cela peut l'endommager.
- S'il y a une lumière bleue sur le réfrigérateur, ne la regardez pas avec des outils optiques.
- Pour les réfrigérateurs contrôlés manuellement, attendez au moins 5 minutes pour allumer le réfrigérateur après une coupure de courant.
- Si cet appareil venait à changer de propriétaire, n'oubliez pas de remettre la présente notice d'utilisation au nouveau bénéficiaire.
- Évitez d'endommager le câble d'alimentation quand vous transportez le réfrigérateur. Tordre le câble peut entraîner un incendie. Ne placez jamais d'objets lourds sur le câble d'alimentation. Évitez de toucher à la prise avec des mains mouillées au moment de brancher l'appareil.



- Ne pulvérisez pas de substances contenant des gaz inflammables comme du propane près du réfrigérateur pour éviter tout risque d'incendie et d'explosion.
- Ne placez jamais de récipients pleins d'eau en haut du réfrigérateur, ils pourraient causer des chocs électriques ou incendie.
- Ne surchargez pas votre réfrigérateur avec des quantités de nourriture excessives. S'il est surchargé, les aliments peuvent tomber, vous blesser et endommager le réfrigérateur quand vous ouvrez la porte. Ne placez jamais d'objets au-dessus du réfrigérateur, ils pourraient tomber quand vous ouvrez ou fermez la porte du réfrigérateur.
- Les produits qui nécessitent un contrôle de température précis (vaccin, médicament sensible à la chaleur, matériels scientifiques, etc.) ne doivent pas être conservés dans le réfrigérateur.
- Si le réfrigérateur n'est pas utilisé pendant longtemps, il doit être débranché. Un problème avec le câble d'alimentation pourrait causer un incendie.
- Le réfrigérateur peut bouger si ses pieds réglables ne sont pas bien fixés sur le sol. Bien fixer les pieds réglables sur le sol peut empêcher le réfrigérateur de bouger.
- Quand vous transportez le réfrigérateur, ne le tenez pas par la poignée de la porte. Cela peut le casser.
- Quand vous devez placer votre produit près d'un autre réfrigérateur ou congélateur, la distance entre les appareils doit être d'au moins 8 cm.

- Évitez de brancher le réfrigérateur lorsque la prise de courant électrique a lâché.
- Pour des raisons d'ordre sécuritaire, évitez de vaporiser directement de l'eau sur les parties externes et internes du réfrigérateur.

Sinon, les murs adjacents peuvent être humidifiés.

Pour les appareils dotés d'une fontaine à eau ;

La pression de l'eau froide à l'entrée ne doit pas excéder 90 psi (620 kPa). Si votre pression d'eau dépasse 80 psi (550 kPa), utilisez une soupape de limitation de pression sur votre réseau de conduite. Si vous ne savez pas comment vérifier la pression de l'eau, demandez l'assistance d'un plombier professionnel.

- S'il existe un risque d'effet coup de bélier sur votre installation, utilisez systématiquement un équipement de protection contre l'effet coup de bélier sur celle-ci. Consultez des plombiers professionnels si vous n'êtes pas sûr de la présence de cet effet sur votre installation.
- Ne l'installez pas sur l'entrée d'eau chaude. Prenez des précautions contre le risque de congélation des tuyaux. L'intervalle de fonctionnement de la température des eaux doit être de 33 F (0,6°C) au moins et de 100 F (38 C) au plus.
- Utilisez uniquement de l'eau potable.

Sécurité enfants

- Si la porte a un verrouillage, la clé doit rester hors de portée des enfants.
- Les enfants doivent être surveillés et empêchés de s'amuser avec le produit.

⚠ DANGER : Risque pour les enfants de se retrouver piégés. Avant de mettre au rebut votre réfrigérateur ou congélateur, retirez-en les portes.

- Ne retirez pas les clayettes, pour que les enfants ne puissent pas facilement grimper à l'intérieur.

Conformité avec la directive DEEE et mise au rebut des déchets :

la  Ce produit est conforme à directive DEEE (2012/19/UE) de l'Union européenne). Ce produit porte un symbole de classification pour la mise au rebut des équipements électriques et électroniques (DEEE). Le présent produit a été fabriqué avec des pièces et du matériel de qualité supérieure susceptibles d'être réutilisés et adaptés au recyclage. Par conséquent, nous vous conseillons de ne pas le mettre au rebut avec les ordures ménagères et d'autres déchets à la fin de sa durée de vie. Au contraire, rendez-vous dans un point de collecte pour le recyclage de tout matériel électrique et électronique. Veuillez vous rapprocher des autorités de votre localité pour plus d'informations concernant le point de collecte le plus proche.

Conformité avec la directive LdSD :

L'appareil que vous avez acheté est conforme à la directive LdSD (2011/65/UE) de l'Union européenne. Il ne comporte pas les matériels dangereux et interdits mentionnés dans la directive.

Informations relatives à l'emballage

Les matériaux d'emballage de cet appareil sont fabriqués à partir de matériaux recyclables, conformément

à nos réglementations nationales en matière d'environnement. Ne mélangez pas les matériaux d'emballage avec les déchets domestiques ou d'autres déchets. Amenez-les plutôt aux points de collecte des matériaux d'emballage, désignés par les autorités locales.

⚠DANGER : Risque d'enfermement pour les enfants. Avant de jeter votre ancien réfrigérateur ou congélateur :

- Retirez les portes.
- Laissez les étagères en place de manière à ce que les enfants ne puissent pas pénétrer facilement à l'intérieur.

Avertissement HC

Si le système de refroidissement de votre appareil contient R600a :

Ce gaz est inflammable. Par conséquent, veuillez prendre garde à ne pas endommager le système de refroidissement et les tuyauteries lors de son utilisation ou de son transport. En cas de dommages, éloignez votre produit de toute source potentielle de flammes susceptible de provoquer l'incendie de l'appareil. De même, placez le produit dans une pièce aérée.

⚠DANGER – Risque d'incendie ou d'explosion. Réfrigérant inflammable utilisé. N'utilisez pas d'objets mécaniques pour dégivrer le réfrigérateur. Ne percez pas les tuyaux du réfrigérant"

⚠DANGER – Risque d'incendie ou d'explosion. Réfrigérant inflammable utilisé. Ne doit être réparé que par le personnel de service qualifié. Pas de perforation

Tuyau du réfrigérant".

⚠ATTENTION – Risque d'incendie ou d'explosion. Réfrigérant inflammable utilisé. Reportez-vous au manuel de réparation / guide de l'utilisateur avant toute tentative de dépannage de cet appareil. Toutes les précautions de sécurité doivent être respectées.

⚠ATTENTION – Risque d'incendie ou d'explosion. La mise au rebut doit se faire conformément aux réglementations fédérales ou locales. Réfrigérant inflammable utilisé.

⚠ATTENTION– Risque d'incendie ou d'explosion causée par la perforation du tuyau du réfrigérant ; respectez attentivement les consignes de manutention. Réfrigérant inflammable utilisé".

Ne tenez pas compte de cet avertissement si le système de refroidissement de votre appareil contient R134a.

Le type de gaz utilisé dans l'appareil est mentionné sur la plaque signalétique située sur le mur gauche à l'intérieur du réfrigérateur.

Ne jetez jamais l'appareil au feu pour vous en débarrasser.

Mesures d'économie d'énergie

- Ne laissez pas les portes du réfrigérateur ouvertes pendant une durée prolongée.
- N'introduisez pas de denrées ou de boissons chaudes dans le réfrigérateur.
- Ne surchargez pas le réfrigérateur pour ne pas obstruer pas la circulation d'air à l'intérieur.

- N'installez pas le réfrigérateur à la lumière directe du soleil ou près d'appareil émettant de la chaleur tels qu'un four, un lave-vaisselle ou un radiateur.
- Veillez à conserver vos denrées dans des récipients fermés.
- Pour les produits équipés d'un compartiment congélateur : vous pouvez conserver une quantité maximale d'aliments dans le congélateur quand vous enlevez l'étagère ou le tiroir du congélateur. La consommation d'énergie précisée pour votre réfrigérateur a été déterminée en enlevant l'étagère ou le tiroir du congélateur et avec la charge maximale. Il n'y a aucun risque à utiliser une étagère ou un tiroir en fonction des formes et tailles des denrées à congeler.
- La décongélation des aliments dans le compartiment réfrigérateur permet de faire des économies d'énergie et de préserver la qualité des aliments.

3 Installation

⚠ AVERTISSEMENT:

Dans l'hypothèse ou l'information contenue dans ce manuel n'a pas été prise en compte par l'utilisateur, le fabricant ne sera aucunement responsable en cas de problèmes.

Éléments à prendre en considération lors du déplacement de votre réfrigérateur

1. Votre réfrigérateur doit être débranché. Avant le transport de votre réfrigérateur, vous devez le vider et le nettoyer. Avant d'emballer votre réfrigérateur, vous devez fixer ses étagères, bac, accessoires, etc, avec du ruban adhésif afin de les protéger contre les chocs.
 1. L'emballage doit être solidement attaché avec du ruban adhésif épais ou avec un cordage solide. La réglementation en matière de transport et de marquage de l'emballage doit être strictement respectée.
 2. L'emballage et les matériaux de protection d'emballage doivent être conservés pour les éventuels transports ou déplacements à venir.
- circulation de l'air entre le réfrigérateur et le mur. (Cette image n'est donnée qu'à titre indicatif ; elle n'est pas identique à votre produit.)
2. Vous pouvez installer les 2 cales en plastique comme illustré dans le schéma. Les cales en plastique maintiendront la distance nécessaire entre votre Congélateur / réfrigérateur et le mur pour permettre une bonne circulation de l'air. (Le schéma présenté est fourni à titre indicatif et peut ne pas correspondre exactement avec votre produit.)
 3. Nettoyez l'intérieur du réfrigérateur tel qu'indiqué dans la section « Entretien et nettoyage ».
 4. Insérez la prise du réfrigérateur dans la prise murale. Lorsque la porte du réfrigérateur est ouverte, la lampe interne du réfrigérateur s'éclaire.
 5. Lorsque le compresseur commence à fonctionner, il émettra un son. Le liquide et les gaz intégrés au système du réfrigérateur peuvent également faire du bruit, que le compresseur soit en marche ou non. Ceci est tout à fait normal.
 6. Les parties antérieures du réfrigérateur peuvent chauffer. Ce phénomène est normal. Ces zones doivent en principe être chaudes pour éviter tout risque de condensation.

Avant de mettre votre réfrigérateur en marche

Vérifiez les points suivants avant de commencer à utiliser votre réfrigérateur

1. Fixez les câles en plastique tel qu'indiqué sur le schéma ci-dessous. Les câles en plastique servent à maintenir une distance permettant la

Branchement électrique

Branchez votre réfrigérateur à une prise électrique protégée par un fusible ayant une capacité appropriée.

Important :

- Le branchement doit être conforme aux normes en vigueur sur le territoire national.
- La fiche du câble d'alimentation doit être facilement accessible après installation.
- La sécurité électrique du réfrigérateur n'est assurée que si le système de mise à la terre de votre domicile est conforme aux normes en vigueur.
- La tension indiquée sur l'étiquette située sur la paroi gauche interne de votre produit doit correspondre à celle fournie par votre réseau électrique.
- **Les rallonges et prises multivoies ne doivent pas être utilisés pour brancher l'appareil.**

AVERTISSEMENT:

Un câble d'alimentation endommagé doit être remplacé par un électricien qualifié.

AVERTISSEMENT:

L'appareil ne doit pas être mis en service avant d'être réparé ! Cette précaution permet d'éviter tout risque de choc électrique!

Mise au rebut de l'emballage

Les matériaux d'emballage peuvent être dangereux pour les enfants. Tenez les matériaux d'emballage hors de portée des enfants ou jetez-les conformément aux consignes établies par les autorités locales en matière de déchets. Ne les jetez pas avec les déchets domestiques, déposez-les dans les centres de collecte désignés par les autorités locales.

L'emballage de votre appareil est produit à partir de matériaux recyclables.

Mise au rebut de votre ancien réfrigérateur

Débarrassez-vous de votre ancien réfrigérateur sans nuire à l'environnement.

- Vous pouvez consulter le service après-vente agréé ou le centre chargé de la mise au rebut dans votre municipalité pour en savoir plus sur la mise au rebut de votre produit.

Avant de procéder à la mise au rebut de votre machine, coupez la prise électrique et, le cas échéant, tout verrouillage susceptible de se trouver sur la porte. Rendez-les inopérants afin de ne pas exposer les enfants à d'éventuels dangers.

Disposition et Installation

AVERTISSEMENT:

Si la porte d'entrée de la pièce où sera installé le réfrigérateur n'est pas assez large pour laisser passer le réfrigérateur, appelez le service après-vente qui retirera les portes du réfrigérateur et le fera entrer latéralement dans la pièce.

1. Installez le réfrigérateur dans un emplacement qui permette une utilisation pratique.
2. Maintenez le réfrigérateur éloigné de toutes sources de chaleur, des endroits humides et de la lumière directe du soleil.
3. Une ventilation d'air autour du réfrigérateur doit être aménagée pour obtenir un fonctionnement efficace. Si le réfrigérateur est placé dans un enfoncement du mur, il doit y avoir un espace d'au moins 5 cm avec le plafond et d'au moins 5 cm avec le mur. Ne placez pas l'appareil sur des revêtements tels qu'un tapis ou de la moquette.
4. Placez le réfrigérateur sur une surface plane afin d'éviter les à-coups.

Remplacement de l'ampoule

Pour remplacer la lampe LED du réfrigérateur, veuillez contacter le service après-vente agréé.

Les ampoules de cet appareil d'électroménager ne sont pas adaptées à une utilisation d'éclairage. L'utilisation recherchée de cette lampe et de permettre à l'utilisateur de placer confortablement et en sécurité les aliments dans le réfrigérateur / coffre.

Les voyants utilisés dans cet appareil doivent résister aux conditions physiques extrêmes telles que des températures inférieures à -20 °C.

Alarme porte ouverte

(Cette caractéristique est en option)

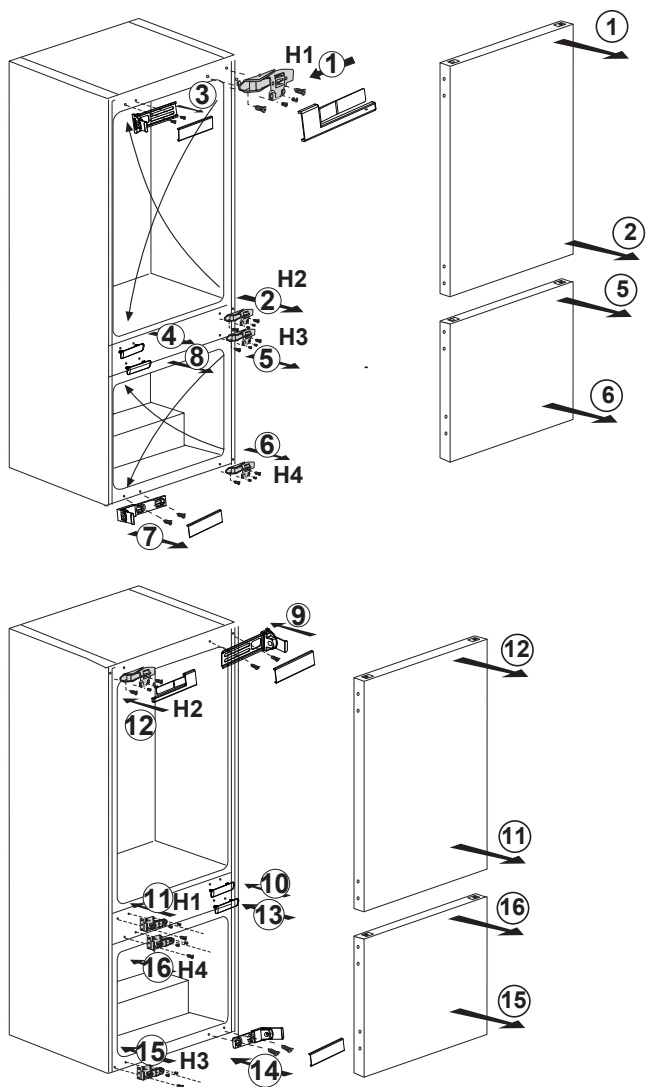
Un signal d'avertissement sonore retentit lorsque la porte du réfrigérateur reste ouverte pendant au moins 1 minute. Cet avertissement s'arrête en refermant la porte ou en appuyant sur n'importe quel bouton de l'affichage.

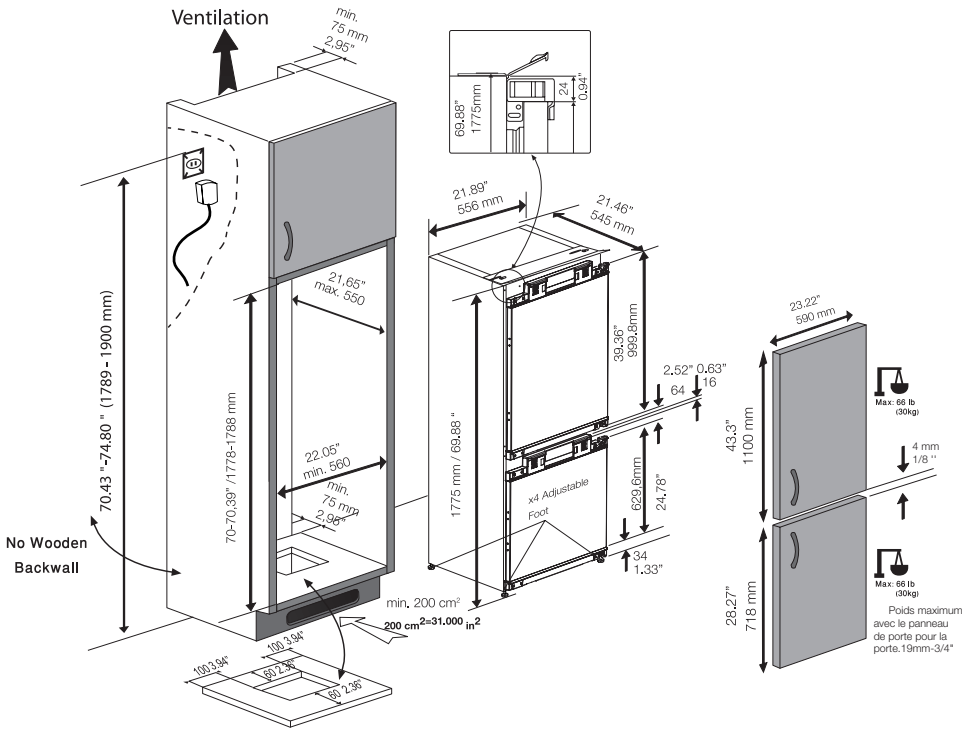
4 Préparation

- Votre congélateur / réfrigérateur doit être installé à au moins 30 cm des sources de chaleur telles que les plaques de cuisson, les fours, appareils de chauffage ou cuisinières, et à au moins 5 cm des fours électriques. De même, il ne doit pas être exposé à la lumière directe du soleil.
- Veuillez vous assurer que l'intérieur de votre appareil est soigneusement nettoyé.
- La température ambiante de la pièce où vous installez le congélateur / réfrigérateur doit être d'au moins 50°F. Faire fonctionner l'appareil sous des températures inférieures n'est pas recommandé et pourrait nuire à son efficacité.
- Si deux congélateur / réfrigérateurs sont installés côte à côte, ils doivent être séparés par au moins 2 cm.
- Lorsque vous faites fonctionner le congélateur / réfrigérateur pour la première fois, assurez-vous de suivre les instructions suivantes pendant les six premières heures.
- La porte ne doit pas être ouverte fréquemment.
- Le congélateur / réfrigérateur doit fonctionner à vide, sans denrées à l'intérieur.
- Ne débranchez pas le congélateur / réfrigérateur. Si une panne de courant se produit, veuillez vous reporter aux avertissements dans la section « Solutions recommandées aux problèmes ».
- L'emballage et les matériaux de protection d'emballage doivent être conservés pour les éventuels transports ou déplacements à venir.
- Comme l'air chaud et humide ne pénètre pas directement dans votre produit lorsque les portes ne sont pas ouvertes, votre produit optimisera son fonctionnement en fonction des conditions pour protéger vos aliments. Les fonctions et les composants tels que le compresseur, le ventilateur, le chauffage, le dégivrage, l'éclairage, l'affichage, etc. fonctionneront en fonction des besoins pour consommer un minimum d'énergie dans de telles circonstances.

Réversibilité des portes

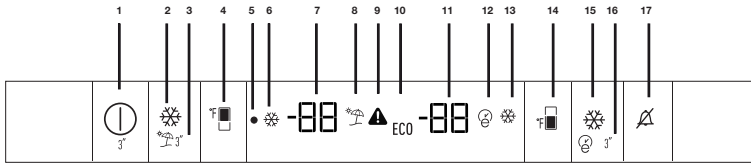
Procédez dans l'ordre numérique





(h) Hauteur (cm)non arpenté	177.5 cm /69.88"
(l) largeur (cm)non arpenté	55.6 cm/21.89"
(p) profondeur (cm)non arpenté	54.5cm /21.46"
(h) Hauteur (cm)rythme	185.6 cm /73.07 "
(l) largeur (cm)rythme	57.6 cm /22.68 "
(p) profondeur (cm)rythme	58.5 cm/23.03"
Poids brut (Kg) / lbs	73 kg /160.94
Poids mort (Kg) / lbs	68.9 kg /151.9

5 Utilisation de votre réfrigérateur



1- Fonction Marche/Arrêt

Appuyez sur la touche On/Off pendant 3 secondes pour allumer ou éteindre le réfrigérateur.

2- Fonction de réfrigération rapide

Lorsque vous appuyez sur le bouton Réfrigération rapide, la température du compartiment sera plus froide que les valeurs de réglage.

Cette fonction peut être utilisée pour les denrées placées dans le compartiment de réfrigération que l'on souhaite refroidir rapidement.

Si vous souhaitez introduire de grandes quantités de produits frais dans le réfrigérateur, nous vous recommandons d'activer au préalable cette option. L'indicateur de réfrigération rapide restera allumé pendant que sa fonction est activée. Pour annuler cette fonction, appuyez à nouveau sur le bouton Réfrigération rapide. L'indicateur de réfrigération rapide s'éteindra et retournera à son réglage normal.

Après 2 heures de temps, ou lorsque le compartiment réfrigérateur atteint la température souhaitée, cet indicateur s'annulera automatiquement si vous ne le faites pas. Cette fonction n'est pas reprise lorsque le courant est rétabli après une panne de courant.

3- Fonction Vacances

Appuyez le bouton réfrigération rapide/vacances pendant 3 secondes pour activer la fonction vacances.

L'icône "--" s'affiche lorsque cette fonction est active. Pour désactiver cette fonction, appuyez sur le même bouton pendant 3 secondes ou sur le bouton de réglage du réfrigérateur.

4- Fonction de réglage du réfrigérateur

Cette fonction vous donne la possibilité de régler la température du compartiment réfrigérateur. Appuyez sur ce bouton pour régler la température du compartiment réfrigérateur à 37, 40, 43, 46 °F respectivement.

5- Indicateur d'arrêt

L'indicateur d'arrêt s'allume lorsque le réfrigérateur est en mode « Off ».

6- Indicateur de réfrigération rapide

Cette icône s'allume lorsque la fonction de réfrigération rapide est active.

7- Indicateur de réglage de température du compartiment réfrigérateur

Indique le réglage de température pour le compartiment réfrigérateur.

i Les illustrations présentées dans cette notice d'utilisation sont schématiques et peuvent ne pas correspondre exactement à votre produit. Si des pièces présentées ne sont pas comprises dans le produit que vous avez acheté, elles sont valables pour d'autres modèles.

8- Indicateur Vacances

Cette icône s'allume lorsque la fonction Vacances est active.

9- Température élevée/Indicateur d'avertissement d'erreur

Cet éclairage accompagne des échecs de température élevée et des messages d'erreur.

10- Voyant d'économie d'énergie

Le voyant d'économie d'énergie s'allume lorsque le compartiment Congélateur est réglé sur 5°F, et s'éteint lorsque la fonction Réfrigération rapide ou la fonction Congélation rapide est sélectionnée.

11- Compartiment congélateur

Indicateur de réglage de la température. Indique la température réglée pour le compartiment congélateur.

12- Indicateur Eco-Extra

L'indicateur Eco-Extra s'allume lorsque la fonction Eco Extra est active.

13- Indicateur de congélation rapide

Cet indicateur s'allume lorsque la fonction de congélation rapide est active.

14- Fonction de réglage du congélateur

Cette fonction vous donne la possibilité de régler la température du compartiment congélateur. Appuyez sur ce bouton pour régler la température du compartiment

congélateur à 5, 0, -5, -10 °F respectivement.

15- Fonction de congélation rapide

L'indicateur de congélation rapide s'allume lorsque sa fonction est activée. Pour annuler cette fonction, appuyez à nouveau sur le bouton Congélation rapide. L'indicateur de Congélation rapide s'éteindra et retournera à son réglage normal. Après 4 heures de temps ou lorsque le compartiment Congélateur atteint la température souhaitée, cet indicateur s'annulera automatiquement si vous ne le faites pas.

Si vous souhaitez congeler de grandes quantités de produits frais, appuyez sur le bouton Congélation rapide avant d'introduire ces produits dans le compartiment de congélation. Si vous appuyez sur le bouton de Congélation rapide de façon répétée à intervalles courts, la protection du circuit électronique s'activera immédiatement.

Cette fonction n'est pas reprise lorsque le courant est rétabli après une panne de courant.

16- Fonction Eco-Extra (économie d'énergie spéciale)

Appuyez sur le bouton Congélation rapide/Eco Extra pendant 3 secondes pour activer la fonction Eco Extra. Le réfrigérateur commencera à fonctionner dans le mode le plus économique au moins 6 heures plus tard, et l'indicateur d'utilisation économique s'allumera lorsque la fonction sera active. Appuyez à nouveau sur le bouton Congélation rapide pendant 3 secondes pour désactiver la fonction Eco Fuzzy.

17- Alarme désactivée

Lorsque la porte du réfrigérateur reste ouverte pendant 2 minutes ou lorsque le capteur est en panne, une alarme sonore retentit. Pour arrêter l'alarme, appuyez sur le bouton « Alarme désactivée ».

L'alarme de dysfonctionnement du capteur ne retentira qu'en cas de panne électrique. Si vous fermez et ouvrez la porte, « l'alarme d'ouverture de porte » s'active à nouveau au bout de 2 minutes.

Système de réfrigération Dual :

Votre congélateur / réfrigérateur est équipé de deux systèmes de réfrigération séparés destinés à refroidir le compartiment des aliments frais et le compartiment congélateur. Ainsi, l'air du compartiment des produits frais et l'air du compartiment congélateur ne sont pas mélangés. Grâce à ce système de réfrigération séparée, les vitesses de réfrigération sont beaucoup plus élevées que pour des congélateur / réfrigérateurs normaux. Les odeurs des compartiments ne sont pas mélangées et, une économie d'énergie supplémentaire est réalisée car la décongélation se fait individuellement.

Congélation des produits frais

- Enveloppez ou couvrez vos aliments avant de les placer au congélateur / réfrigérateur.
- Laissez refroidir les aliments à la température ambiante avant de les placer au congélateur / réfrigérateur.
- Les denrées que vous souhaitez congeler doivent être fraîches et en bon état.
- Il est conseillé de séparer les denrées en portions en fonction des besoins quotidiens de votre famille ou par repas.
- Les denrées doivent être emballées hermétiquement afin d'éviter qu'elles ne s'assèchent, même si elles ne doivent être conservées qu'une courte période.

Réglage du compartiment de congélation	Réglage du compartiment de réfrigération	Explications
5°F	40°F	Voici le réglage normal recommandé.
-0,-5 ou -10°F	40°F	Ces réglages sont recommandés lorsque la température ambiante dépasse 91°F
Congélation rapide	40°F	Cet indicateur est utilisé lorsque vous voulez congeler vos denrées pendant une courte période. Le congélateur / réfrigérateur retournera à son mode de fonctionnement précédent lorsque le processus sera terminé.
5°F ou plus froid	37°F	Si vous pensez que le compartiment de réfrigération n'est pas assez froid à cause de la chaleur ou des ouvertures / fermetures fréquentes de la porte.
5°F ou plus froid	Réfrigération rapide	Vous pouvez utiliser ce réglage lorsque le compartiment de réfrigération est surchargé ou lorsque vous souhaitez refroidir rapidement vos denrées. Il est conseillé d'activer la fonction de réfrigération rapide pendant 4 à 8 heures de temps avant d'introduire les denrées.

Utilisation recommandée température: FF: 4°C /40 °F Frz : -15°C/5 °F

- Les matériaux utilisés pour l'emballage doivent résister aux déchirures, au froid, à l'humidité, et doivent être imperméables aux odeurs, aux graisses et aux acides et être hermétiques. Par ailleurs, ils doivent fermer correctement et être composés de matériaux simples d'utilisation et adaptés à un usage dans un congélateur.
 - Les denrées congelées doivent être consommées immédiatement après leur décongélation et elles ne doivent jamais être recongelées.
 - Veuillez respecter les instructions suivantes afin d'obtenir les meilleurs résultats.
1. Ne congélez pas une quantité trop importante à la fois. La qualité des aliments est préservée de façon optimale lorsqu'ils sont entièrement congelés aussi rapidement que possible.
 2. Le fait d'introduire des aliments chauds dans le congélateur entraîne le fonctionnement du système de refroidissement en continu jusqu'à ce que les aliments soient entièrement congelés.
 3. Faites particulièrement attention à ne pas mélanger les produits déjà congelés et les produits frais.

Recommandations concernant la conservation des aliments congelés

- Pour un compartiment destiné aux denrées congelées *** ** *** (4 étoiles), les aliments préemballés et surgelés, destinés à un usage commercial, doivent être conservés conformément aux instructions du fabricant de produits congelés.
 - Afin de veiller à ce que la qualité supérieure recherchée par le fabricant et le détaillant des produits congelés soit atteinte, il convient de se rappeler les points suivants :
1. Mettre les emballages dans le congélateur aussi rapidement que possible après achat.
 2. S'assurer que le contenu est étiqueté et daté.
 3. Ne pas dépasser les dates « à consommer avant le » et « à consommer de préférence avant le » figurant sur l'emballage.

Dégivrage

Le compartiment congélateur se dégivre automatiquement.

Disposition des denrées

Clayettes du compartiment congélation	Différentes denrées congelées comme de la viande, du poisson, des crèmes glacées, des légumes, etc.
Bac à œufs	Œufs
Clayettes du compartiment de réfrigération	Nourriture dans des casseroles, assiettes couvertes et récipients fermés
Balconnets de la porte du compartiment de réfrigération	Produits ou boissons de petite taille et sous emballage (comme du lait, des jus de fruits ou de la bière)
Bac à légumes	Fruits et légumes
Compartiment Fraîcheur	Produits délicats (fromage, beurre, salami, etc.)

Informations concernant la congélation

Les denrées doivent être congelées le plus rapidement possible lorsqu'elles sont placées dans un congélateur / réfrigérateur, afin de préserver leur qualité.

Il n'est possible de conserver des denrées sur de longues périodes qu'avec des températures inférieures ou égales à -0°F.

Vous pouvez conserver la fraîcheur de vos denrées pendant plusieurs mois (à des températures inférieures ou égales à -0°F. dans le surgélateur).

⚠ AVERTISSEMENT !

- Il est conseillé de séparer les denrées en portions en fonction des besoins quotidiens de votre famille ou par repas.
- Les denrées doivent être emballées hermétiquement afin d'éviter qu'elles ne s'assèchent, même si elles ne doivent être conservées qu'une courte période.

- Matériaux nécessaires à l'emballage :
- Bande adhésive résistant au froid
- Etiquette autocollante
- Élastiques en caoutchouc
- Stylo

Les matériaux utilisés pour l'emballage des denrées doivent résister aux déchirures, au froid, à l'humidité, et doivent être imperméables aux odeurs, aux graisses et aux acides.

Il faut éviter que les denrées à congeler n'entrent en contact avec des aliments déjà congelés afin d'empêcher le dégel partiel de ces aliments.

Les denrées congelées doivent être consommées immédiatement après leur décongélation et elles ne doivent jamais être recongelées.

6 Entretien et nettoyage

- ⚠ N'utilisez jamais d'essence, de benzène ou de matériaux similaires pour le nettoyage.
- ⚠ Nous vous recommandons de débrancher l'appareil avant de procéder au nettoyage.
- ❗ N'utilisez jamais d'ustensiles tranchants, savon, produit de nettoyage domestique, détergent et cirage pour le nettoyage.
- ❗ Pour des appareils qui ne sont pas de la marque No Frost, des gouttes d'eau et une couche de givre pouvant atteindre la largeur d'un doigt se forment sur la paroi arrière du compartiment réfrigérateur. Ne les nettoyez pas et évitez d'y utiliser de l'huile ou des produits similaires.
- ❗ Utilisez uniquement des tissus en microfibres légèrement mouillés pour nettoyer la surface externe de l'appareil. Les éponges et autres tissus de nettoyage sont susceptibles de rayer la surface.
- ❗ Utilisez de l'eau tiède pour nettoyer la carrosserie du congélateur / réfrigérateur et séchez-la soigneusement à l'aide d'un chiffon.
- ❗ Utilisez un chiffon humide imbibé d'une solution composée d'une cuillère à café de bicarbonate de soude pour un demi litre d'eau pour nettoyer l'intérieur et séchez soigneusement.
- ⚠ Prenez soin de ne pas faire couler d'eau dans le logement de la lampe et dans d'autres éléments électriques.
- ⚠ En cas de non utilisation de votre congélateur / réfrigérateur pendant une période prolongée, débranchez le câble d'alimentation, sortez toutes les denrées, nettoyez-le et laissez la porte entrouverte.
- ❗ Inspectez les joints de porte régulièrement pour vérifier qu'ils sont propres et qu'il n'y a pas de résidus de nourriture.
- ❗ Pour retirer les balconnets de portes, sortez tout son contenu puis poussez simplement le balconnet vers le haut à partir de la base.
- ❗ Ne jamais utiliser des produits nettoyants ou de l'eau contenant du chlore pour le nettoyage des surfaces externes et des pièces chromées du produit. Le chlore entraîne la corrosion de ces surfaces métalliques.
- ❗ Évitez d'utiliser des objets tranchants ou abrasifs, du savon, des produits ménagers de nettoyage, des détergents, de l'essence, du benzène, de la cire, ect. ; autrement, les marques sur les pièces en plastique pourraient s'effacer et les pièces elles-mêmes pourraient présenter des déformations. Utilisez de l'eau tiède et un torchon doux pour nettoyer et sécher.

Protection des surfaces en plastique.

- Ne placez pas d'huiles ou de plats huileux dans le congélateur / réfrigérateur dans des récipients non fermés, car les graisses peuvent endommager les surfaces en plastique du congélateur / réfrigérateur. Si vous versez ou éclaboussez de l'huile sur les surfaces en plastique, nettoyez et lavez les parties souillées avec de l'eau chaude immédiatement.

7 Dépannage

Veillez vérifier la liste suivante avant d'appeler le service après-vente. Cela peut vous faire économiser du temps et de l'argent. Cette liste regroupe les problèmes les plus fréquents ne provenant pas d'un défaut de fabrication ou d'utilisation du matériel. Il se peut que certaines des fonctions décrites ne soient pas présentes sur votre produit.

Le réfrigérateur ne fonctionne pas.

- La fiche n'est pas insérée correctement dans la prise. >>>Insérez correctement la fiche dans la prise.
- Est-ce que le fusible ou le fusible principal a sauté ? >>>Vérifiez le fusible.

Condensation sur la paroi intérieure du compartiment réfrigérateur. (MULTIZONE, COOL CONTROL et FLEXI ZONE).

- La porte a été ouverte souvent. >>>Évitez d'ouvrir et de fermer trop fréquemment la porte du réfrigérateur.
- L'environnement est très humide. >>>N'installez pas votre réfrigérateur dans des endroits très humides.
- La nourriture contenant du liquide est conservée dans des récipients ouverts. >>>Ne conservez pas de la nourriture contenant du liquide dans des récipients ouverts.
- La porte du réfrigérateur est laissée entrouverte. >>>Fermez la porte du réfrigérateur.
- Le thermostat est réglé à un niveau très froid. >>>Réglez le thermostat à un niveau adapté.

Le compresseur ne fonctionne pas.

- Le dispositif de protection thermique du compresseur sautera en cas de coupures soudaines du courant ou de débranchement intempestif, en effet la pression du liquide réfrigérant du système de refroidissement ne sera pas équilibrée. Le réfrigérateur recommencera à fonctionner normalement après 6 minutes environ. Veuillez contacter le service après-vente si le réfrigérateur ne redémarre pas après cette période.
- Le réfrigérateur est en mode dégivrage. >>>Cela est normal pour un réfrigérateur à dégivrage semi-automatique. Le cycle de dégivrage se déclenche régulièrement.
- Le réfrigérateur n'est pas branché à la prise. >>>Assurez-vous que la prise est branchée dans la prise murale.
- Les réglages de température ne sont pas effectués correctement. >>>Sélectionnez la température appropriée.
- Il y a une panne de courant. >>>Le réfrigérateur recommence à fonctionner normalement après le retour du courant.

Le niveau sonore augmente lorsque le réfrigérateur est en marche.

- Les caractéristiques de performance du réfrigérateur peuvent changer en raison des variations de la température ambiante. Cela est normal et n'est pas un défaut.

Le réfrigérateur fonctionne fréquemment ou pendant de longues périodes.

- Votre nouveau réfrigérateur est peut être plus large que l'ancien. Les grands réfrigérateurs fonctionnent plus longtemps.
- La température de la pièce est probablement élevée. >>>Il est normal que l'appareil fonctionne plus longtemps quand la température ambiante est élevée.
- Le réfrigérateur pourrait y avoir été branché tout récemment ou pourrait avoir été chargé de denrées alimentaires. >>>Quand le réfrigérateur a été branché ou récemment rempli avec de la nourriture, il met plus de temps à atteindre la température réglée. Ce phénomène est normal.
- D'importantes quantités de denrées chaudes ont peut être été introduites dans le réfrigérateur récemment. >>>Ne mettez pas de nourriture chaude dans le réfrigérateur.
- Les portes ont peut être été ouvertes fréquemment ou laissées entrouvertes pendant une durée prolongée. >>>L'air chaud qui entre dans l'appareil oblige le réfrigérateur à travailler sur de plus longues périodes. N'ouvrez pas les portes fréquemment.
- La porte du réfrigérateur est probablement entrouverte. >>>Vérifiez que les portes sont bien fermées.
- Le réfrigérateur est réglé à une température très basse. >>>Réglez la température du réfrigérateur à un degré supérieur et attendez que la température réglée soit atteinte.
- Le joint de la porte du réfrigérateur ou du congélateur peut être sale, déchiré, rompu ou mal en place. >>>Nettoyez ou remplacez le joint. Tout joint endommagé/déchiré fait fonctionner le réfrigérateur pendant une période de temps plus longue afin de conserver la température actuelle.

La température du congélateur est très basse alors que celle du réfrigérateur est correcte.

- La température du congélateur est réglée à une température très basse. >>>Réglez la température du congélateur à un degré supérieur et vérifiez.

La température du réfrigérateur est très basse alors que celle du congélateur est correcte.

- La température du réfrigérateur est réglée à une température très basse. >>>Réglez la température du réfrigérateur à un degré supérieur et vérifiez.

Les denrées conservées dans les tiroirs du compartiment de réfrigération sont congelées.

- La température du réfrigérateur est réglée à une température très basse. >>> Réglez la température du réfrigérateur à un niveau inférieur et vérifiez.

La température dans le réfrigérateur ou le congélateur est très élevée.

- La température du réfrigérateur est réglée à une température très basse. >>> Le réglage du compartiment réfrigérant a un effet sur la température du congélateur. Changez les températures du réfrigérateur ou du congélateur et attendez que les compartiments atteignent une température suffisante.
- Les portes ont peut être été ouvertes fréquemment ou laissées entrouvertes pendant une durée prolongée. >>> N'ouvrez pas les portes fréquemment.
- La porte est entrouverte. >>> Refermez complètement la porte.
- Le réfrigérateur a été récemment branché ou rempli avec de la nourriture. >>> Ce phénomène est normal. Lorsque le réfrigérateur vient d'être branché ou récemment rempli avec de la nourriture, il met plus de temps à atteindre la température réglée.
- D'importantes quantités de denrées chaudes ont peut être été introduites dans le réfrigérateur récemment. >>> Ne mettez pas de nourriture chaude dans le réfrigérateur.

• Vibrations ou bruits

- Le sol n'est pas plat ou stable. >>> Si le réfrigérateur balance lorsqu'il est déplacé lentement, équilibrez-le en ajustant sa base. Assurez-vous que le sol est plat et suffisamment solide pour supporter le poids et le volume de l'appareil.
- Les éléments placés sur le réfrigérateur peuvent faire du bruit. >>> Enlevez les éléments du haut du réfrigérateur.

Le réfrigérateur produit des bruits semblables à de l'eau qui coule, à la pulvérisation d'un liquide, etc.

- Des écoulements de gaz et de liquides surviennent dans le réfrigérateur, de par ses principes de fonctionnement. Cela est normal et n'est pas un défaut.

Un sifflement sort du réfrigérateur.

- Les ventilateurs sont utilisés pour refroidir le réfrigérateur. Cela est normal et n'est pas un défaut.

Condensation sur les parois intérieures du réfrigérateur.

- Un temps chaud et humide augmente la formation de givre et de condensation. Cela est normal et n'est pas un défaut.
- Les portes ont peut être été ouvertes fréquemment ou laissées entrouvertes pendant une durée prolongée. >>> N'ouvrez pas les portes fréquemment. Refermez-les si elles sont ouvertes.
- La porte est entrouverte. >>> Refermez complètement la porte.

De l'humidité est présente à l'extérieur ou entre les portes du réfrigérateur.
<ul style="list-style-type: none"> • Il y a peut être de l'humidité dans l'air; ceci est tout à fait normal par un temps humide. Lorsque l'humidité est faible, la condensation disparaîtra.
Présence d'une mauvaise odeur dans le réfrigérateur.
<ul style="list-style-type: none"> • Il n'y a pas de nettoyage régulier effectué. >>>Nettoyez régulièrement l'intérieur du réfrigérateur avec une éponge, de l'eau tiède ou du carbonate dissout dans l'eau. • Certains récipients ou matériaux d'emballage peuvent provoquer ces odeurs. >>>Utilisez un autre récipient ou changez de marque de matériau d'emballage. • Les denrées sont mises au réfrigérateur dans des récipients sans couvercle. >>>Conservez les aliments liquides dans des récipients fermés. Les micro-organismes issus de récipients non fermés peuvent dégager des odeurs désagréables. • Enlevez les aliments périmés et pourris du réfrigérateur.
La porte ne se ferme pas.
<ul style="list-style-type: none"> • Des récipients empêchent la fermeture de la porte. >>>Retirez les emballages qui obstruent la porte. • Le réfrigérateur n'est pas complètement vertical sur le sol. >>>Ajustez les pieds du réfrigérateur pour l'équilibrer. • Le sol n'est pas plat ou solide. >>>Assurez-vous que le sol est plat et qu'il peut supporter le poids du réfrigérateur.
Les bacs à légumes sont coincés.
<ul style="list-style-type: none"> • Il se peut que les denrées touchent le plafond du tiroir. >>>Disposez à nouveau les denrées dans le tiroir.

AVERTISSEMENT:

- Ce produit peut vous exposer à des produits chimiques, y compris le nickel (métallique) qui est connu dans l'État de Californie pour provoquer des cancers.
- Pour plus d'informations, rendez-vous sur www.p65warnings.co.gov
- Remarque : Le nickel est un composant de l'acier inoxydable et de certains autres composants métalliques.

DÉCLARATION DE GARANTIE POUR LES RÉFRIGÉRATEURS BLOMBERG

Les garanties offertes par Blomberg dans ces déclarations s'appliquent uniquement aux réfrigérateurs Blomberg vendus à l'acheteur ou propriétaire original aux Etats-Unis et au Canada. La garantie n'est pas transférable. Pour obtenir un service de garantie, veuillez contacter votre distributeur le plus près tel que listé par province. Vous aurez besoin du numéro de modèle du réfrigérateur, du numéro de série, du nom et de l'adresse du détaillant où vous l'avez acheté ainsi que de la date d'achat et de la date d'installation. Cette garantie vous confère des droits légaux spécifiques, et vous pouvez également bénéficier d'autres droits qui peuvent varier d'une province à l'autre. De plus, assurez-vous d'enregistrer votre produit pour la garantie au www.blombergappliances.com.

1 an (*) de garantie complète à partir de la date de la première installation

Blomberg réparera ou remplacera sans frais pour le consommateur toutes pièces défectueuses du réfrigérateur si utilisé sous des conditions domestiques normales (la garantie est annulée si le produit est utilisé à des fins commerciales par ex. gîtes touristiques, centre de soins, etc.). Le service doit aussi être effectué par une agence de service autorisée par Blomberg. (Les défauts de fabrication apparents doivent être signalés en dedans de 10 jours ouvrables de l'installation). 1 an de garantie sur les accessoires, pour les pièces seulement et n'inclut pas la main d'œuvre.

2 ans ** de garantie à compter de la date de la première installation (pièces uniquement) Blomberg réparera ou remplacera toute pièce sans aucun frais pour le consommateur pour tout défaut de matière ou de fabrication à l'origine du dommage ou de la défaillance de ces éléments. Le réfrigérateur doit avoir été utilisé dans des conditions normales domestiques et non commerciales tel que mentionné ci-dessus. (Le coût de la main d'œuvre est à la charge du consommateur).

2-5 ans (*, **) de garantie limitée à partir de la date de la première installation

(pièces seulement 2-5 ans). Blomberg réparera ou remplacera tous les compresseurs, évaporateurs, condenseurs et déshydrateurs sans frais pour le consommateur si des vices de matériaux ou de main d'œuvre ont causés des dommages ou des défaillances de ces composants.

Le réfrigérateur devra avoir été utilisé sous des conditions domestiques normales et non commerciale (Les frais de main d'œuvre sont la responsabilité du consommateur).

Exonérations de garantie et exclusions :

La garantie ne couvre pas les frais de service d'un agent de service autorisé pour corriger des problèmes d'installation, électriques ou l'instruction éducationnelle sur l'utilisation du réfrigérateur. La garantie ne couvre pas non plus les défauts ou les dommages causés par une catastrophe naturelle (comme des tempêtes, des inondations, des incendies, des coulées de boue, etc.), des dommages causés par l'utilisation du réfrigérateur dans des buts autres que ceux pour lesquels il a été conçu, mauvaise utilisation, abus, accident, altération, mauvaise installation, entretien, frais de déplacements, appels de service en dehors des heures de service normales, ramassage et livraison, toute perte d'aliments à cause d'une défectuosité du produit, service non autorisé ou personne de service non autorisée.

Ce produit a subi des tests complets et a eu des inspections d'assurance de qualité officiels avant de quitter le site de fabrication original. Les conditions de garantie pour ce électroménager Blomberg n'est pas valide si le produit a été altéré, tripoté, modifié, si des pièces supplémentaires ont été assemblées, fixées et réemballées par un distributeur autorisé, une personne d'entretien, un détaillant de tierce partie, un revendeur ou par toute(s) autre(s) personne(s) non autorisée(s).

DANS LA LIMITE DE CE QUI EST AUTORISÉ PAR LA LOI, CETTE GARANTIE TIENT LIEU DE TOUTES LES AUTRES GARANTIES, EXPRESSES OU IMPLICITES, Y COMPRIS LES GARANTIES IMPLICITES DE QUALITÉ MARCHANDE ET D'ADAPTATION À UN USAGE PARTICULIER. BLOMBERG DÉCLINE TOUTE RESPONSABILITÉ EN CE QUI A TRAIT À LA QUALITÉ DE CE PRODUIT SAUF MENTION CONTRAIRE DANS CETTE DÉCLARATION DE GARANTIE. BLOMBERG N'ASSUME AUCUNE RESPONSABILITÉ QUAND À L'ADAPTATION DU PRODUIT POUR TOUT BUT PARTICULIER POUR LEQUEL VOUS POURRIEZ ACHETER CE PRODUIT, SAUF MENTION CONTRAIRE DANS CETTE DÉCLARATION DE GARANTIE.

Blomberg n'assume aucune responsabilité pour les dommages indirects ou consécutifs. De tels dommages incluent, mais sans s'y limiter, la perte de profits, la perte d'épargnes ou de revenus, la perte de l'utilisation du réfrigérateur ou de tout équipement associé, le coût du capital, le coût de tout équipement substitué, installations ou services, pannes, les réclamations de tiers, et des dommages à la propriété. Certaines provinces n'autorisent pas l'exclusion ou la limitation des dommages accessoires ou indirects, de sorte que les limitations ou exclusions ci-dessus peuvent ne pas s'appliquer à vous.

(*) La date d'installation réfère à la date d'achat ou à 5 jours ouvrables après la livraison du produit à la maison, la plus tardive de ces deux dates prévalant. (**) Les pièces remplacées assumeront l'identité des pièces originales + leur garantie originale.

Aucune autre garantie. Cette déclaration de garantie est la garantie complète et exclusive du fabricant. Aucun employé de Blomberg ou autre tiers n'est autorisé à faire des déclarations de garantie en plus de celles énoncées dans cette Déclaration de garantie.

Veuillez conserver cette carte de garantie, manuel d'utilisation et votre reçu de caisse pour référence future.

COMMENT OBTENIR UN SERVICE

Veuillez contacter le distributeur pour votre province tel que listé sur la Liste de contact des distributeurs, ou appelez notre numéro sans frais au 1 800 459 9848 pour être dirigé vers un Agent de service Blomberg.

Lea este manual antes de utilizar el frigorífico.

Estimado cliente:

Esperamos que este producto, que ha sido fabricado en plantas dotadas de la más avanzada tecnología y sometido a los más estrictos procedimientos de control de calidad, le preste un servicio eficaz.

Para ello, le recomendamos que lea atentamente el presente manual antes de utilizar el producto, y que lo tenga a mano para futuras consultas.

Este manual

- Le ayudará a usar el electrodoméstico de manera rápida y segura.
- Lea el manual antes de instalar y poner en funcionamiento el producto.
- Siga las instrucciones, en particular las relacionadas con la seguridad.
- Conserve el manual en un sitio de fácil acceso, ya que podría necesitarlo en el futuro.
- Además, lea también otros documentos suministrados junto con el producto.
- Tenga en cuenta que este manual también podría ser válido para otros modelos.

Símbolos y sus descripciones

El presente manual de instrucciones emplea los siguientes símbolos:

 Información importante o consejos útiles sobre el funcionamiento.

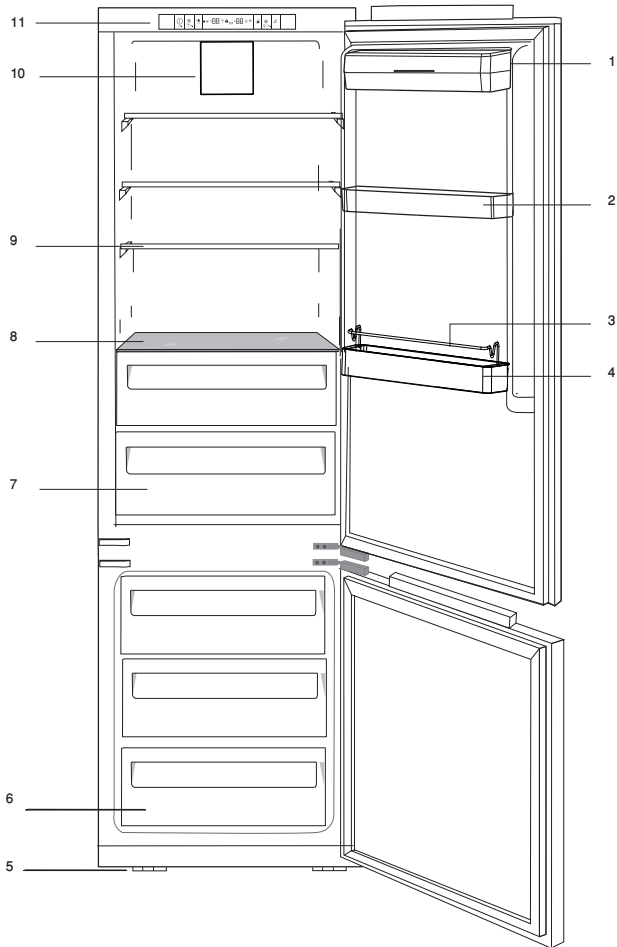
 Advertencia sobre situaciones peligrosas para la vida y la propiedad.

 Advertencia acerca de la tensión eléctrica.

ÍNDICE

1 Su frigorífico	3	4 Preparación	12
2 Información importante sobre seguridad	4	Inversión de las puertas	13
Productos equipados con dispensador de agua:	7	5 Uso del frigorífico	15
Seguridad infantil	7	Aviso de puerta abierta	17
Conformidad con la normativa WEEE y eliminación del aparato al final de su vida útil:	8	Doble sistema de enfriamiento:	17
Cumplimiento de la directiva RoHS:	8	Congelación de alimentos frescos ...	18
Información sobre el embalaje	8	Recomendaciones para la conservación de alimentos congelados	19
Advertencia sobre la seguridad de la salud	8	Colocación de los alimentos	20
Consejos para el ahorro de energía ...	9	Información sobre la congelación	20
3 Instalación	10	6 Mantenimiento y limpieza	21
Cuestiones a considerar a la hora de transportar el frigorífico	10	Protección de las superficies de plástico	21
Antes de usar el frigorífico	10	7 Sugerencias para la solución de problemas	22
Conexiones eléctricas	10		
Eliminación del embalaje	11		
Eliminación de su viejo frigorífico	11		
Colocación e instalación	11		
Cambio de la bombilla de iluminación	11		
Aviso de puerta abierta	11		

1 Su frigorífico



- | | |
|---------------------------------------|------------------------------|
| 1. Secciones de mantequillas y quesos | 7. Chiller |
| 2. Estantes ajustables en la puerta | 8. Chiller cubierta y vidrio |
| 3. Botella titular | 9. estantes ajustables |
| 4. Botella estante | 10. ventilador |
| 5. Patas ajustables delanteras | 11. Indicador del panel |
| 6. compartimiento del congelador | |

ⓘ Las ilustraciones incluidas en el presente manual de instrucciones son esquemáticas y puede que no se adecuen a su producto con exactitud. Si alguno de los elementos reflejados no se corresponde con el producto que usted ha

2 Información importante sobre seguridad

Lea con atención la siguiente información. No tener en cuenta dicha información podría acarrear lesiones o daños materiales. En tal caso, las garantías y los compromisos de fiabilidad quedarían anulados.

La vida útil de la unidad adquirida es de 10 años. Éste es el período durante el cual se garantiza la disponibilidad de las piezas de repuesto para la unidad.

Finalidad prevista

ADVERTENCIA:

Asegúrese de que cuando el dispositivo está en su custodia o durante su montaje en el alojamiento, los orificios de ventilación no están cerrados.

ADVERTENCIA:

Con el fin de acelerar la operación de derretimiento del hielo, no utilice cualquier dispositivo o aparato mecánico que no es recomendado por el fabricante.

ADVERTENCIA:

No dañe el circuito de fluido refrigerante.

ADVERTENCIA:

No utilice dispositivos eléctricos que no estén recomendados por el fabricante en los compartimentos del dispositivo para la conservación de alimentos.

Este dispositivo está diseñado para ser utilizado en el hogar o en las siguientes aplicaciones similares:

- Con el fin de ser utilizado en

las cocinas para el personal de las tiendas, oficinas y otros lugares de trabajo;

- Con el fin de ser utilizado por los clientes en casas de campo y hoteles, moteles y otros lugares de alojamiento:

- en entornos tales pensiones;
- en lugares similares que no ofrecen servicios de restauración y no es al por menor.

Seguridad general

- Cuando desee deshacerse del aparato, le recomendamos que solicite a su servicio técnico autorizado la información necesaria a este respecto, así como la relación de entidades locales a las que puede dirigirse.
- En caso de dudas o problemas, diríjase a su servicio técnico autorizado. No intente reparar el frigorífico sin consultar con el servicio técnico, ni deje que nadie lo haga.
- Para aparatos equipados con un compartimento congelador: no consuma los helados o cubitos de hielo inmediatamente después de sacarlos del compartimento congelador, ya que podría sufrir daños en su boca a causa del frío.
- Para aparatos equipados con un compartimento congelador: no deposite bebidas embotelladas o enlatadas en el compartimento congelador, ya

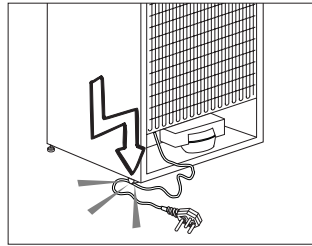
que podrían estallar.

- No toque con la mano los alimentos congelados, ya que podrían adherirse a ella.
- Desenchufe su frigorífico antes de proceder a su limpieza o deshielo.
- No utilice nunca materiales de limpieza que usen vapor para limpiar o descongelar el frigorífico. El vapor podría entrar en contacto con los elementos eléctricos y causar cortocircuitos o descargas eléctricas.
- No utilice nunca elementos del frigorífico tales como la puerta como medio de sujeción o como escalón.
- No utilice aparatos eléctricos en el interior del frigorífico.
- Evite dañar el circuito del refrigerante con herramientas cortantes o de perforación. El refrigerante que puede liberarse si se perforan los canales de gas del evaporador, los conductos o los recubrimientos de las superficies causa irritaciones en la piel y lesiones en los ojos.
- No cubra ni bloquee los orificios de ventilación de su frigorífico con ningún material.
- Deje la reparación de los aparatos eléctricos únicamente en manos de personal autorizado. Las reparaciones realizadas por personas incompetentes generan riesgos para el usuario.
- En caso de fallo o cuando vaya a realizar cualquier operación de reparación o mantenimiento, desconecte el frigorífico de la corriente apagando el fusible correspondiente o bien desenchufando el aparato.
- No desenchufe el aparato de la toma de corriente tirando del cable.
- Coloque las bebidas de mayor graduación alcohólica juntas y en posición vertical.
- No almacene en el frigorífico aerosoles que contengan sustancias inflamables o explosivas.
- No utilice dispositivos mecánicos u otros medios para acelerar el proceso de deshielo distintos de los recomendados por el fabricante.
- Este aparato no debe ser utilizado por niños o por personas con sus facultades físicas, sensoriales o mentales reducidas o bien que carezcan de la experiencia y los conocimientos necesarios, a menos que lo hagan bajo la supervisión de personas responsables de su seguridad o bien tras haber recibido instrucciones de uso por parte de dichas personas.
- No utilice un frigorífico que haya sufrido daños. Consulte con el servicio de atención al cliente en caso de duda.

- La seguridad eléctrica de su frigorífico sólo estará garantizada si el sistema de toma de tierra de su domicilio se ajusta a los estándares.
- Desde el punto de vista de la seguridad eléctrica, es peligroso exponer el aparato a la lluvia, la nieve o el viento.
- Póngase en contacto con el servicio técnico autorizado en caso de que el cable de alimentación principal se dañe, para evitar cualquier peligro.
- Nunca enchufe el frigorífico en la toma de corriente durante su instalación. Existe peligro de lesiones graves e incluso de muerte.
- Este frigorífico está únicamente diseñado para almacenar alimentos. No debe utilizarse para ningún otro propósito.
- La etiqueta que contiene los datos técnicos del frigorífico se encuentra en la parte interior izquierda del mismo.
- Jamás conecte el frigorífico a sistemas de ahorro de electricidad, ya que podría dañarlo.
- Si el frigorífico está equipado con una luz azul, no la mire a través de dispositivos ópticos.
- En los frigoríficos de control manual, si se produce un corte del fluido eléctrico espere al menos 5 minutos antes de volver a ponerlo en marcha.
- Cuando entregue este aparato a un nuevo propietario,

asegúrese de entregar también este manual de instrucciones.

- Tenga cuidado de no dañar el cable de alimentación al transportar el frigorífico. Doblar el cable podría causar un incendio. Nunca deposite objetos pesados encima del cable de alimentación. No toque el enchufe con las manos mojadas para conectar el aparato.



- No enchufe el frigorífico si el enchufe no encaja con firmeza en la toma de corriente de la pared.
- Por razones de seguridad, no pulverice agua directamente en las partes interiores o exteriores de este aparato.
- No rocíe cerca del frigorífico sustancias que contengan gases inflamables tales como gas propano para evitar riesgos de incendio y explosiones.
- Nunca coloque recipientes con agua sobre el frigorífico, ya que podría provocar una descarga eléctrica o un incendio.
- No deposite cantidades

excesivas de alimentos en el frigorífico. Si lo hace, al abrir la puerta del frigorífico los alimentos podrían caerse y provocar lesiones personales o dañar el frigorífico. Nunca coloque objetos sobre el frigorífico, ya que podrían caer al abrir o cerrar la puerta.

- No guarde en el frigorífico productos que necesiten un control preciso de la temperatura tales como vacunas, medicamentos sensibles al calor, materiales científicos, etc.
- Desenchufe el frigorífico si no lo va a utilizar durante un periodo prolongado de tiempo. Un problema en el cable de alimentación podría causar un incendio.
- El frigorífico podría moverse si los pies no están adecuadamente asentados en el suelo. Fijar adecuadamente los pies del frigorífico en el suelo puede ayudar a evitar que se mueva.
- Cuando transporte el frigorífico, no lo aferre del asa de la puerta. De lo contrario, podría romperla.
- Cuando tenga que colocar el frigorífico cerca de otro frigorífico o congelador, deberá dejar un espacio entre ambos aparatos de 8 cm como mínimo. De lo contrario, podría formarse humedad en las paredes adyacentes.

Productos equipados con dispensador de agua:

- La presión en la entrada de agua fría será a un máximo de 90 psi (620 kPa). Si la presión del agua es superior a 80 psi (550 kPa), utilice una válvula limitadora de presión en el sistema de red. Si usted no sabe cómo controlar la presión del agua, pida la ayuda de un plomero profesional.
- Si hay riesgo de golpe de ariete en la instalación, siempre utilice un equipo de prevención contra golpes de ariete en la instalación. Consulte a un fontanero profesional si no está seguro de que no hay un efecto del golpe de ariete en la instalación.
- No instale en la entrada de agua caliente. Tome precauciones contra el riesgo de congelación en las mangueras. El intervalo de funcionamiento de la temperatura del agua debe ser un mínimo de 33°F (0.6°C) y un máximo de 100°F (38°C).
- Use agua potable únicamente.

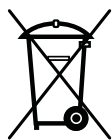
Seguridad infantil

- Si la puerta tiene cerradura, mantenga la llave fuera del alcance de los niños.
- Vigile a los niños para evitar que manipulen el aparato.

⚠ PELIGRO: Riesgo de atrapamiento para los niños.

Antes de tirar su nevera o congelador viejo: Retire las puertas y coloque los estantes de manera que los niños no puedan trepar con facilidad al interior.

Conformidad con la normativa WEEE y eliminación del aparato al final de su vida útil:



Este producto es conforme con la directiva de la UE sobre residuos de aparatos eléctricos y electrónicos (WEEE) (2012/19/UE). Este producto incorpora el símbolo de la clasificación selectiva para los residuos de aparatos eléctricos y electrónicos (WEEE). Este aparato se ha fabricado con piezas y materiales de primera calidad, que pueden ser reutilizados y son aptos para el reciclado. No se deshaga del producto junto con sus los residuos domésticos normales y de otros tipos al final de su vida útil. Llévelo a un centro de reciclaje de dispositivos eléctricos y electrónicos. Solicite a las autoridades locales información acerca de dichos centros de recogida.

Cumplimiento de la directiva RoHS:

El producto que ha adquirido es conforme con la directiva de la UE sobre la restricción de sustancias peligrosas (RoHS) (2011/65/

UE). No contiene ninguno de los materiales nocivos o prohibidos especificados en la directiva.

Información sobre el embalaje

El embalaje del aparato se fabrica con materiales reciclables, de acuerdo con nuestro Reglamento Nacional sobre Medio Ambiente. No elimine los materiales de embalaje junto con los residuos domésticos o de otro tipo. Llévelos a un punto de recogida de materiales de embalaje designado por las autoridades locales.

⚠ PELIGRO: Riesgo de que los niños queden atrapados. Antes de deshacerse de su viejo frigorífico o congelador:

- Retire las puertas.
- Deje los estantes en su sitio para evitar que los niños puedan meterse en el frigorífico con facilidad.

Advertencia sobre la seguridad de la salud

Si el sistema de refrigeración de su aparato contiene R600a:

Este gas es inflamable. Por lo tanto, procure no dañar el sistema de enfriamiento ni sus conductos durante el uso o el transporte del aparato. En caso de daños, mantenga el aparato alejado de fuentes potenciales de ignición que puedan provocar que éste sufra un incendio, y ventile la estancia en la que se encuentre el aparato.

⚠PELIGRO – Riesgo de incendio o explosión. Se usa refrigerante inflamable. No use aparatos mecánicos para descongelar el frigorífico. Evite perforar los tubos de refrigerante.

⚠PELIGRO – Riesgo de incendio o explosión. Se usa refrigerante inflamable. Las reparaciones deben correr a cargo únicamente de personal de asistencia adiestrado. Evite perforar los tubos de refrigerante.

⚠PELIGRO – Riesgo de incendio o explosión. Se usa refrigerante inflamable. Consulte el manual de reparaciones o la guía del propietario antes de intentar reparar este producto. Es preciso observar todas las precauciones de seguridad.

⚠PELIGRO – Riesgo de incendio o explosión. Deshágase del aparato adecuadamente, según lo dispuesto por las normativas nacionales o locales. Se usa refrigerante inflamable.

⚠PRECAUCIÓN– Riesgo de incendio o explosión debido a la perforación de los tubos de refrigerante; siga las instrucciones cuidadosamente. Se usa refrigerante inflamable.

Ignore esta advertencia si el sistema de refrigeración de su aparato contiene R134a.

El tipo de gas utilizado en el aparato se indica en la placa de datos ubicada en la pared interior izquierda del frigorífico.

Jamás arroje el aparato al fuego.

Consejos para el ahorro de energía

- No deje las puertas del frigorífico abiertas durante periodos largos de tiempo.
- No introduzca alimentos o bebidas calientes en el frigorífico.
- No sobrecargue el frigorífico, ya que entorpecería la circulación del aire en su interior.
- No instale el frigorífico de forma que quede expuesto a la luz solar directa o cerca de aparatos que irradian calor tales como hornos, lavavajillas o radiadores.
- Procure depositar los alimentos en recipientes cerrados.
- Productos equipados con compartimento congelador: puede disponer del máximo volumen para el depósito de alimentos retirando el estante o el cajón del congelador. El consumo energético que se indica para su frigorífico se ha calculado retirando el estante o el cajón del congelador y en condiciones de máxima carga. No existe ningún riesgo en la utilización de un estante o cajón según las formas o tamaños de los alimentos que se van a congelar.
- Descongele los alimentos congelados en el compartimento frigorífico; ahorrará energía y preservará la calidad de los alimentos.

3 Instalación

⚠ Recuerde que el fabricante declina toda responsabilidad en caso de incumplimiento de las instrucciones de este manual.

Cuestiones a considerar a la hora de transportar el frigorífico

1. El frigorífico debe estar vacío y limpio antes de proceder a su transporte.
2. Los estantes, accesorios, el cajón de frutas y verduras, etc., deben sujetarse con cinta adhesiva antes de embalar el frigorífico para evitar que se muevan.
3. Encinte el frigorífico una vez embalado con cinta gruesa y fíjelo con cuerdas resistentes. Siga las reglas de transporte que encontrará impresas en el propio embalaje.

No olvide que:

El reciclaje de materiales es un asunto de vital importancia para la naturaleza y para los recursos del país.

Si desea contribuir al reciclaje de los materiales de embalaje, solicite más información a los responsables medioambientales de su zona o a las autoridades locales.

Antes de usar el frigorífico

Antes de empezar a usar el frigorífico, verifique lo siguiente:

1. El interior del frigorífico está seco y el aire puede circular con libertad por su parte posterior.
2. Introduzca 2 cuñas plásticas en la ventilación trasera, como se muestra en la figura siguiente. Las cuñas de plástico proporcionarán la distancia

requerida entre su frigorífico y la pared para una correcta circulación del aire.

3. Limpie el interior del frigorífico de la forma recomendada en la sección "Mantenimiento y Limpieza".
4. Enchufe el frigorífico a la toma de corriente. Al abrir la puerta del frigorífico, la luz interior del compartimento frigorífico se enciende.
5. Se oye un sonido cuando arranca el compresor. El líquido y los gases contenidos en el sistema de refrigeración pueden también generar ruidos, incluso aunque el compresor no esté funcionando, lo cual es normal.
6. Es posible que las aristas delanteras del aparato se noten calientes al tacto. cosa que es perfectamente normal. Estas zonas deben permanecer calientes para evitar la condensación.

Conexiones eléctricas

Conecte el frigorífico a una toma de corriente provista de toma de tierra y protegida por un fusible de la capacidad adecuada.

Importante:

- La conexión debe cumplir con las normativas nacionales.
- El enchufe de alimentación debe ser fácilmente accesible tras la instalación.
- La tensión especificada debe corresponder a la tensión de la red eléctrica.

- No use cables de extensión ni enchufes múltiples para conectar la unidad.

⚠ Todo cable de alimentación dañado debe ser reemplazado por un electricista cualificado.

⚠ No ponga en funcionamiento el aparato hasta que esté reparado, ya que existe peligro de cortocircuito.

Eliminación del embalaje

Los materiales de empaque pueden ser peligrosos para los niños. Manténgalos fuera de su alcance o deshágase de ellos clasificándolos según las instrucciones para la eliminación de residuos. No los tire junto con los residuos domésticos normales.

El embalaje del frigorífico se ha fabricado con materiales reciclables.

Eliminación de su viejo frigorífico

Deshágase de su viejo frigorífico de manera respetuosa con el medio ambiente.

- Consulte las posibles alternativas a un distribuidor autorizado o al centro de recogida de residuos de su municipio.

Antes de proceder a la eliminación del frigorífico, corte el enchufe y, si las puertas tuvieran cierres, destrúyalos para evitar que los niños corran riesgos.

Colocación e instalación

⚠ Si la puerta de entrada a la estancia donde va a instalar el frigorífico no es lo suficientemente ancha como para permitir su paso, solicite al servicio técnico que retire las puertas del frigorífico y lo pase de lado a través de la puerta.

1. Instale el frigorífico en un lugar en el que pueda utilizarse con comodidad.

2. Mantenga el frigorífico alejado de fuentes de calor y lugares húmedos y evite su exposición directa a la luz solar.

3. Para que el frigorífico funcione con la máxima eficacia, debe instalarse en una zona que disponga de una ventilación adecuada. Si el frigorífico va a instalarse en un hueco de la pared, debe dejarse un mínimo de 5 cm de separación con el techo y de 5 cm con las paredes. Si el suelo está cubierto con una alfombra, deberá elevar el frigorífico 2,5 cm del suelo.

4. Coloque el frigorífico sobre una superficie lisa para evitar sacudidas.

Cambio de la bombilla de iluminación

Para cambiar la bombilla utilizada para iluminar el frigorífico, póngase en contacto con el servicio técnico autorizado.

Las bombillas de este electrodoméstico no sirven para la iluminación en el hogar. Su propósito es el de ayudar al usuario a colocar los alimentos en el frigorífico o congelador de forma cómoda y segura.

Las lámparas utilizadas en este electrodoméstico soportan unas condiciones físicas extremas como temperaturas inferiores a -20°C .

Aviso de puerta abierta

*opcional

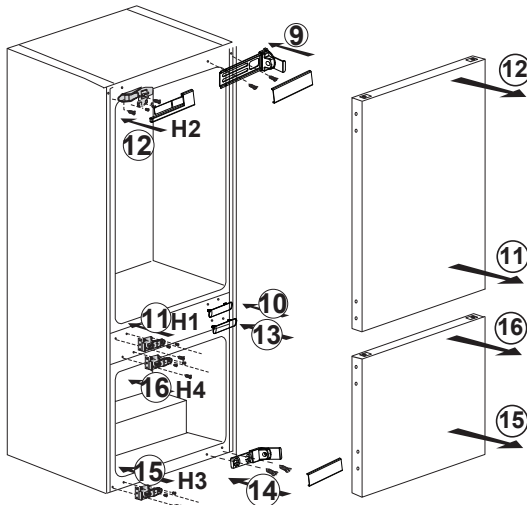
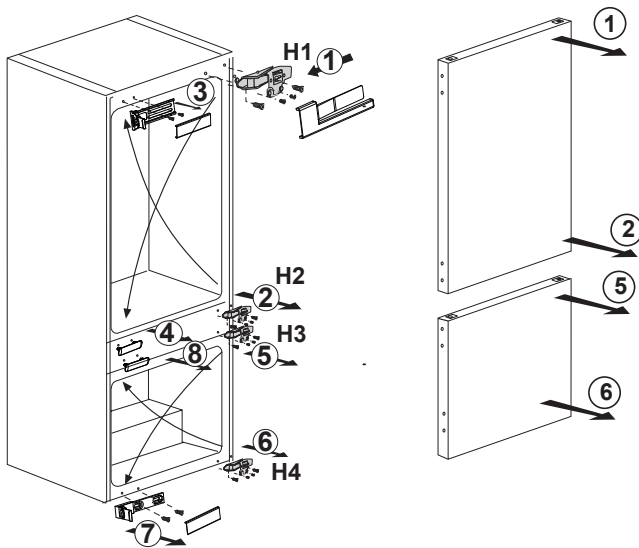
El frigorífico emitirá una señal acústica de aviso cuando la puerta del compartimento del frigorífico permanezca abierta durante un cierto periodo de tiempo. Esta señal acústica de aviso cesará cuando se pulse cualquier botón del indicador o se cierre la puerta.

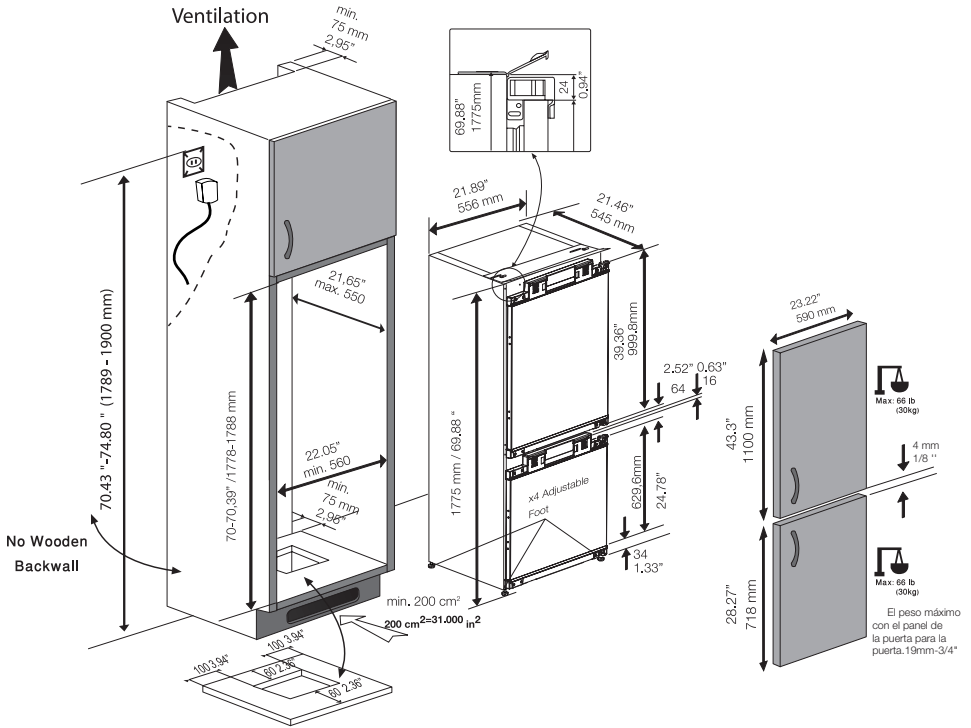
4 Preparación

- El frigorífico debe instalarse dejando una separación no inferior a 30 cm respecto a fuentes de calor tales como quemadores, hornos, calefacciones o estufas y no inferior a 5 cm con respecto a hornos eléctricos, evitando asimismo su exposición directa a la luz solar.
- La temperatura ambiente de la estancia donde instale el frigorífico no debe ser inferior a 50 °F. A temperaturas inferiores, el frigorífico puede ver reducida su eficacia.
- Asegúrese de limpiar meticulosamente el interior del frigorífico.
- En caso de que vaya a instalar dos frigoríficos uno al lado del otro, debe dejar una separación no inferior a 2 cm entre ellos.
- Al utilizar el frigorífico por primera vez, siga las siguientes instrucciones referentes a las primeras seis horas.
- No abra la puerta con frecuencia.
- No deposite alimentos en el interior.
- No desenchufe el frigorífico. En caso de corte del suministro eléctrico ajeno a su voluntad, consulte las advertencias de la sección "Sugerencias para la solución de problemas".
- Guarde el embalaje original para futuros traslados.
- Puesto que el aire caliente y húmedo no penetra directamente en su producto cuando las puertas no están abiertas, su producto se optimiza en condiciones suficientes para proteger sus alimentos. Las funciones y componentes como el compresor, ventilador, calentador, descongelador, iluminación, pantalla, etc. funcionarán de acuerdo con las necesidades de consumo mínimo de energía en estas circunstancias.

Inversión de las puertas

Proceder en orden numérico



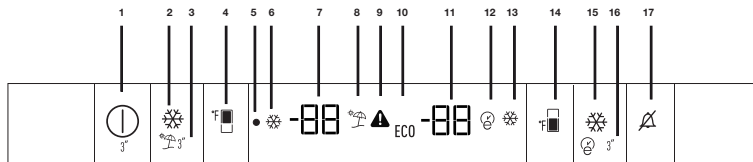


(H) Altura (cm) sin paseó	177.5 cm / 69.88"
(W) Ancho (cm) sin paseó	55.6 cm / 21.89"
(D) Profundidad (cm) sin paseó	54.5 cm / 21.46"

(H) Altura (cm) paseó	185.6 cm / 73.07"
(W) Ancho (cm) paseó	57.6 cm / 22.68"
(D) Profundidad (cm) paseó	58.5 cm / 23.03"

Peso bruto (Kg) / lbs	73 kg / 160.94
peso muerto (Kg) / lbs	68.9 kg / 151.9

5 Uso del frigorífico



1- Función de encendido/apagado

Mantenga pulsado el botón de encendido/apagado durante 3 segundos para encender o apagar el frigorífico.

2- Función de refrigeración rápida

Al pulsar el botón de refrigeración rápida, la temperatura del compartimento descenderá por debajo del valor fijado.

Esta función puede utilizarse para enfriar con rapidez alimentos depositados en el compartimento frigorífico.

Si desea enfriar grandes cantidades de alimentos frescos, se recomienda activar esta función antes de depositar los alimentos en el frigorífico. El indicador de refrigeración rápida permanecerá encendido mientras la función de refrigeración rápida esté activa. Para cancelar esta función pulse nuevamente el botón de refrigeración rápida. El indicador de refrigeración rápida se apagará y el electrodoméstico volverá a sus valores normales.

Si no cancela manualmente la función de refrigeración rápida, ésta se cancelará automáticamente transcurridas dos horas o bien una vez el compartimento frigorífico alcance la temperatura deseada. En caso de corte del fluido eléctrico, esta función no se activará automáticamente al restablecerse el suministro eléctrico.

3- Función de vacaciones

Pulse el botón de refrigeración rápida/vacaciones y manténgalo pulsado durante 3 segundos para activar la función Vacaciones.

El icono "--" se ilumina cuando la función está activa. La función se desactiva al volver a mantener el mismo botón pulsado durante 3 segundos o al pulsar el botón de ajuste del frigorífico.

4- Botón de ajuste del frigorífico

Esta función le permite ajustar la temperatura del compartimento frigorífico. Pulse este botón para ajustar la temperatura del compartimento frigorífico a 37, 40, 43, 46 °F respectivamente.

i Las ilustraciones incluidas en el presente manual de instrucciones son esquemáticas y puede que no se adecuen a su producto con exactitud. Si alguno de los elementos reflejados no se corresponde con el producto que usted ha

5. Indicador de apagado

El indicador de apagado se ilumina cuando el frigorífico está apagado.

6- Indicador de refrigeración rápida

Este icono se ilumina cuando función de refrigeración rápida está activa.

7- Indicador de ajuste de temperatura del compartimento frigorífico

Indica la temperatura ajustada para el compartimento frigorífico.

8- Indicador de la función de vacaciones

Este icono se ilumina cuando función de vacaciones está activa.

9- Indicador de temperatura alta / aviso de error

Esta luz indicadora se enciende en caso de fallo de alta temperatura o aviso de error.

10- Indicador del modo ahorro

El indicador del modo ahorro se enciende al ajustar el compartimento frigorífico a 5 °F, y se apaga al seleccionar las funciones de congelación rápida o refrigeración rápida.

11- Compartimento congelador

Indicador de ajuste de temperatura Indica la temperatura ajustada para el compartimento congelador.

12- Indicador Eco Extra

El indicador de Eco-Extra se ilumina cuando la función Eco Extra está activa.

13- Indicador de congelación rápida

Este icono se ilumina cuando función de congelación rápida está activa.

14- Función de ajuste del congelador

Esta función le permite ajustar la temperatura del compartimento congelador. Pulse este botón para ajustar la temperatura del

compartimento congelador a 5, 0 , - 5, -10 °F respectivamente.

15- Función de congelación rápida

El indicador de congelación rápida se ilumina cuando la función de congelación rápida está activa. Para cancelar esta función pulse de nuevo el botón de congelación rápida. El indicador de congelación rápida se apagará y el frigorífico volverá a sus valores normales. Si no cancela manualmente la función de congelación rápida, ésta se cancelará automáticamente transcurridas cuatro horas o bien una vez el compartimento congelador alcance la temperatura deseada.

Si desea congelar grandes cantidades de alimentos frescos, pulse el botón de congelación rápida antes de introducir los alimentos en el compartimento congelador. Si pulsa el botón de congelación rápida repetidamente a intervalos breves, se activará inmediatamente la protección del circuito electrónico.

En caso de corte del fluido eléctrico, esta función no se activará automáticamente al restablecerse el suministro eléctrico.

16- Función Eco-Extra (modo especial de ahorro)

Mantenga el botón de congelación rápida/Eco Extra pulsado durante 3 segundos para activar la función Eco Extra. El frigorífico comenzará a funcionar en el modo más económico durante un mínimo de 6 horas y el indicador de uso económico se iluminará cuando esta función esté activa. Pulse de nuevo el botón de congelación rápida y manténgalo pulsado durante 3 segundos para desactivar la función Eco Fuzzy.

17- Desconexión de la alarma

Cuando la puerta del frigorífico se mantenga abierta durante 2 minutos o en caso de corte del fluido eléctrico, sonará una señal acústica. La señal acústica puede apagarse pulsando el botón "Desactivar señal acústica".

La señal acústica de fallo de sensor no sonará hasta la interrupción de la corriente eléctrica. Si cierra la puerta y la vuelve a abrir, la señal acústica de puerta abierta se activará de nuevo 2 minutos más tarde.

Aviso de puerta abierta

El frigorífico emitirá una señal acústica de aviso cuando la puerta del compartimento del frigorífico permanezca abierta más de un 1 minuto. Esta señal acústica cesará cuando se pulse cualquier botón del indicador o se cierre la puerta.

Doble sistema de enfriamiento:

Este frigorífico está equipado con dos sistemas de enfriamiento separados para enfriar el compartimento de alimentos frescos y el compartimento del congelador. De este modo, no se mezclan el aire del compartimento de alimentos frescos y el aire del compartimento del congelador. Gracias a estos dos sistemas de enfriamiento independientes, la velocidad de enfriamiento es muy superior a la de otros frigoríficos. No se mezclan los olores de los compartimentos. Además, se obtiene un ahorro de energía adicional porque el desescarche se realiza individualmente.

Ajuste del compartimento congelador	Ajuste del compartimento refrigerador	Explicaciones
5°F	40°F	Éstos son los valores de uso recomendados.
0,-5 o -10°F	40°F	Se recomiendan estos valores cuando la temperatura ambiente rebasa los 91 °F.
Congelación rápida	40°F	Se utiliza para congelar los alimentos rápidamente. El frigorífico volverá a su modo de funcionamiento previo una vez finalizado el proceso.
5°F o menos	37°F	Si usted cree que el compartimento refrigerador no está suficientemente frío debido a las altas temperaturas ambientales o por la frecuente apertura y cierre de la puerta.
5°F o menos	Refrigeración rápida	Puede utilizarlo cuando haya un exceso de carga en el compartimento o bien si desea enfriar sus alimentos rápidamente. Se recomienda activar la función de refrigeración rápida 4-8 horas antes de colocar los alimentos.

Recomendó el uso de Temperature: FF: 4°C /40 °F Frz : -15°C/5 °F

Congelación de alimentos frescos

- Es preferible envolver o cubrir los alimentos antes de introducirlos en el frigorífico.
- Los alimentos calientes deben dejarse enfriar hasta alcanzar la temperatura ambiente antes de introducirlos en el frigorífico.
- Los alimentos que vayan a congelar deben ser frescos y estar en buen estado.
- Los alimentos deben dividirse en porciones basadas en las necesidades de consumo de la familia.
- Los alimentos deben empaquetarse herméticamente para evitar que se sequen, incluso aunque vayan a guardarse durante poco tiempo.
- Los materiales utilizados para empaquetar alimentos deben ser a prueba de desgarrones y resistentes al frío, a la humedad, los olores, los aceites y los ácidos, y además deben ser herméticos. También deben estar bien cerrados y estar hechos de materiales fáciles de utilizar y aptos para su uso en congeladores.
- Los alimentos que vayan a ser congelados deben depositarse en el compartimento congelador. (No deje que entren en contacto con los alimentos previamente congelados para evitar que éstos puedan descongelarse parcialmente. La capacidad de congelación del aparato se menciona en las especificaciones técnicas del mismo).

- Respete estrictamente los tiempos de conservación de alimentos congelados que encontrará en el apartado de información sobre la congelación.
 - Consuma inmediatamente los alimentos recién descongelados, y en ningún caso los vuelva a congelar.
 - Para obtener los mejores resultados, se deben tener en cuenta las siguientes instrucciones.
 1. No congele cantidades demasiado grandes de una sola vez. La calidad de los alimentos se conserva mejor si la congelación alcanza su interior lo antes posible.
 2. Si se introducen alimentos calientes en el compartimento congelador, se obliga al sistema de enfriamiento a funcionar de forma continua hasta congelarlos totalmente.
 3. Ponga especial cuidado en no mezclar alimentos ya congelados con alimentos frescos.
1. Coloque los paquetes de alimentos congelados en el congelador lo antes posible tras su compra.
 2. Asegúrese de que todos los contenidos tengan etiqueta y fecha.
 3. Respete las fechas de “Usar antes de” o “Consumir antes de” indicadas en los envases.

Si se produce un corte de corriente, no abra la puerta del congelador. Incluso si el corte de corriente tiene una duración superior al “Tiempo de aumento de temperatura” indicado en la sección de las “Especificaciones técnicas de su frigorífico”, los alimentos congelados se verán afectados. En caso de que la avería dure más, deberá comprobar el estado de los alimentos y en los casos necesarios consumirlos inmediatamente o bien cocinarlos y posteriormente volverlos a congelar.

Deshielo

El compartimento del congelador se deshiela de manera automática.

Recomendaciones para la conservación de alimentos congelados

- Los alimentos congelados ya envasados disponibles en los comercios deben almacenarse de acuerdo con las instrucciones de su fabricante respecto de la conservación en un compartimento congelador de  (4 estrellas).
- Si desea garantizar el mantenimiento de la calidad de los alimentos congelados proporcionada por el fabricante y por el comercio, tenga en cuenta lo siguiente:

Colocación de los alimentos

Estantes del compartimento congelador	Alimentos congelados diversos tales como carnes, pescados, helados, verduras, etc.
Huevera	Huevos
Estantes del compartimento refrigerador	Alimentos en cazuelas, platos cubiertos y recipientes cerrados
Estantes de la puerta del compartimento refrigerador	Alimentos o bebida en envases pequeños (leche, zumos de frutas, cerveza, etc.)
Cajón de frutas y verduras	Verduras y frutas
Compartimento de alimentos frescos	Productos delicados (queso, mantequilla, embutidos, etc.)

Información sobre la congelación

Los alimentos deben congelarse lo más rápido posible con el fin de mantenerlos en las mejores condiciones de calidad.

Los alimentos sólo pueden conservarse durante periodos prolongados de tiempo a temperaturas de 0°F o menos.

A 0°F o menos es posible mantener los alimentos frescos durante muchos meses en el congelador.

ADVERTENCIA ⚠

- Los alimentos deben dividirse en porciones basadas en las necesidades de consumo de la familia.
- Los alimentos deben empaquetarse herméticamente para evitar que se sequen, incluso si van a guardarse durante poco tiempo.
- Materiales necesarios para el empaquetado:
- Cinta adhesiva resistente al frío
- Etiquetas autoadhesivas
- Gomas elásticas
- Bolígrafo
- Los materiales utilizados para empaquetar alimentos deben ser a prueba de desgarrones y resistentes al frío, la humedad, los olores, los aceites y los ácidos.

No deje que los alimentos entren en contacto con alimentos previamente congelados, con el fin de evitar que éstos puedan descongelarse parcialmente.

Respete siempre los valores especificados en las tablas para los periodos de conservación.

Consuma inmediatamente los alimentos recién descongelados, y en ningún caso los vuelva a congelar.

6 Mantenimiento y limpieza

- ⚠ No utilice nunca gasolina, benceno o sustancias similares para la limpieza.
- ⚠ Le recomendamos desenchufar el aparato antes de proceder a su limpieza.
- ❗ No utilice nunca para la limpieza instrumentos afilados o sustancias abrasivas, jabones, limpiadores domésticos, detergentes ni ceras abrillantadoras.
- ❗ En el caso de productos con sistema de enfriamiento cíclico o estático, se pueden producir gotas de agua y una capa de hielo en la pared trasera del compartimento del frigorífico. No lo limpie, nunca aplique aceite o agentes similares en el mismo.
- ❗ Utilice solo paños de microfibra ligeramente humedecidos para limpiar la superficie exterior del producto. Las esponjas u otro tipo de paños de limpieza pueden rayar la superficie.
- ❗ Limpie el armario del frigorífico con agua tibia y séquelo con un paño.
- ❗ Para limpiar el interior, utilice un paño humedecido en un vaso grande de agua con una cucharadita de bicarbonato sódico disuelta y séquelo con un trapo.
- ⚠ Asegúrese de que no penetre agua en el alojamiento de la lámpara ni en otros elementos eléctricos.
- ⚠ Si no va a utilizar el frigorífico durante un periodo prolongado, desenchúfelo, retire todos los alimentos, límpielo y deje la puerta entreabierta.
- ❗ Compruebe regularmente los cierres herméticos de la puerta para asegurarse de que estén limpios y sin restos de alimentos.
- ❗ Para extraer las bandejas de la puerta, retire todo su contenido y, a continuación, simplemente empuje la bandeja hacia arriba desde su base.
- ❗ Nunca use agentes de limpieza o agua que contengan cloro para limpiar las superficies exteriores y los cromados del producto, ya que el cloro corroe dichas superficies metálicas.
- ❗ No utilice herramientas afiladas y abrasivas ni jabón, productos de limpieza domésticos, detergentes, gasolina, benceno, cera, etc., de lo contrario los sellos en las piezas de plástico se caerán y deformarán. Use agua tibia y un paño suave para limpiar y secar.

Protección de las superficies de plástico

- ❗ No deposite aceites líquidos o alimentos aceitosos en recipientes no cerrados ya que dañarán las superficies de plástico de su frigorífico. En caso de derrame de aceite sobre las superficies de plástico, limpie y enjuague con agua caliente la parte afectada de inmediato.

7 Sugerencias para la solución de problemas

Le rogamos compruebe la siguiente lista antes de llamar al servicio técnico. Ello puede ayudarle a ahorrar tiempo y dinero. Esta lista incluye problemas frecuentes no achacables a defectos en materiales o manufactura. Es posible que algunas de las características mencionadas no estén presentes en su producto.

El refrigerador no funciona

- ¿Está el frigorífico correctamente enchufado? Inserte el enchufe en la toma de corriente.
- ¿Están fundidos el fusible principal o el fusible del enchufe al cual ha conectado el frigorífico? Revise los fusibles.

Condensación en la pared lateral del compartimento refrigerador. (MULTI ZONE, COOL CONTROL y FLEXI ZONE)

- Condiciones ambientales muy frías. Frecuente apertura y cierre de la puerta. Nivel alto de humedad ambiental. Almacenamiento de alimentos que contienen líquidos en recipientes abiertos. Dejar la puerta entreabierta.
- Ponga el termostato a una temperatura más baja.
- Deje la puerta abierta durante menos tiempo o ábrala con menor frecuencia.
- Cubra los alimentos almacenados en recipientes abiertos con un material adecuado.
- Enjague el agua condensada con un paño seco y compruebe si la condensación persiste.

El compresor no funciona

- El dispositivo térmico protector del compresor saltará en caso de un corte súbito de energía o de idas y venidas de la corriente, ya que la presión del refrigerante en el sistema de enfriamiento aún no se ha estabilizado.
- Su frigorífico se pondrá en marcha transcurridos unos 6 minutos. Llame al servicio técnico si su frigorífico no se pone en marcha transcurrido ese periodo.
- El frigorífico se encuentra en el ciclo de descongelación. Esto es normal en un frigorífico con descongelación automática. El ciclo de descongelación se produce de forma periódica.
- El frigorífico no está enchufado. Compruebe que el enchufe esté firmemente insertado en la toma de corriente.
- ¿Está la temperatura correctamente fijada? Hay un corte del fluido eléctrico. Llame a su electricista.

El frigorífico está en funcionamiento con frecuencia o durante periodos prolongados.

• Puede que su nuevo frigorífico sea más grande que el que tenía anteriormente. Esto es perfectamente normal. Los frigoríficos de mayor tamaño funcionan durante más tiempo.

• Es posible que la temperatura ambiente de la estancia sea más alta. Esto es perfectamente normal.

• Es posible que haya enchufado el frigorífico o bien lo haya cargado de alimentos recientemente. Puede que el frigorífico tarde unas dos horas en enfriarse por completo.

• Es posible que recientemente haya depositado grandes cantidades de alimentos en el frigorífico. Los alimentos calientes pueden ocasionar que el frigorífico trabaje durante más tiempo hasta alcanzar la temperatura de almacenamiento seguro.

• Es posible que las puertas se hayan abierto con frecuencia o que se hayan dejado entreabiertas por un tiempo prolongado. El aire caliente que ha penetrado en el frigorífico hace que éste funcione durante más tiempo. Abra las puertas con menos frecuencia.

• Es posible que la puerta del compartimento frigorífico o congelador se haya dejado entreabierta. Compruebe que las puertas estén bien cerradas.

• El frigorífico está ajustado a una temperatura muy baja. Ajuste la temperatura del frigorífico a un valor más alto y espere a que se alcance dicha temperatura.

• La junta de la puerta del compartimento frigorífico o congelador puede estar sucia, desgastada, rota o no asentada correctamente. Limpie o sustituya la junta. Una junta rota o dañada hace que el frigorífico funcione durante más tiempo con el fin de mantener la temperatura actual.

La temperatura del congelador es muy baja, mientras que la del frigorífico es correcta.

• La temperatura del congelador está ajustada a un valor muy bajo. Ajuste la temperatura del congelador a un valor más elevado y compruebe.

La temperatura del frigorífico es muy baja, mientras que la del congelador es correcta.

• La temperatura del compartimento frigorífico está ajustada a un valor muy bajo. Ajuste la temperatura del frigorífico a un valor más elevado y compruebe.

Los alimentos depositados en los cajones del compartimento frigorífico se están congelando.

• La temperatura del compartimento frigorífico está ajustada a un valor muy bajo. Ajuste la temperatura del frigorífico a un valor más elevado y compruebe.

La temperatura del congelador o el frigorífico es muy alta.

• La temperatura del frigorífico está ajustada a un valor muy alto. El ajuste de la temperatura del frigorífico afecta a la temperatura del congelador. Cambie la temperatura del frigorífico o del congelador hasta que alcance un nivel suficiente.

• Es posible que la puerta se haya quedado entreabierta. Cierre la puerta del todo.

• Es posible que recientemente haya depositado grandes cantidades de alimentos en el frigorífico. Espere hasta que el frigorífico o el congelador alcance la temperatura deseada.

• Es posible que el frigorífico haya sido enchufado recientemente. El enfriamiento completo del frigorífico lleva un tiempo debido a su tamaño.

Puede escucharse un sonido parecido al tic tac de un reloj saliendo del frigorífico.

• Este ruido procede de la electroválvula del frigorífico. La electroválvula garantiza el flujo de líquido refrigerante a través del compartimento, que puede ajustarse a temperaturas de enfriamiento o congelación así como llevar a cabo funciones de refrigeración. Esto es perfectamente normal y no es ninguna anomalía.

El nivel de ruidos propios del funcionamiento se incrementa cuando el frigorífico está en marcha.

• Las características de rendimiento del frigorífico pueden cambiar en función de las variaciones en la temperatura ambiente. Esto es perfectamente normal, no es ninguna avería.

Vibraciones o ruidos.

• El suelo no está nivelado ni es firme. El frigorífico oscila al moverlo lentamente. Compruebe que el suelo esté nivelado y sea firme y capaz de soportar el peso del frigorífico.

• El ruido puede deberse a los elementos guardados en el frigorífico. Tales objetos deben retirarse de la parte superior del frigorífico.

Pueden oírse ruidos como si un líquido se derramara o se pulverizara.

• Los líquidos y gases fluyen de acuerdo con los principios de funcionamiento del frigorífico. Esto es perfectamente normal, no es ninguna avería.

Puede oírse un ruido parecido al viento.

• Se utilizan ventiladores con el fin de hacer que el frigorífico se enfríe con eficiencia. Esto es perfectamente normal, no es ninguna avería.

Condensación en las paredes interiores del frigorífico.

• El tiempo cálido y húmedo favorece la formación de hielo y la condensación. Esto es perfectamente normal, no es ninguna avería.

• Las puertas están entreabiertas. Asegúrese de que las puertas estén completamente cerradas.

• Es posible que las puertas se hayan estado abriendo con frecuencia o que se hayan dejado abiertas durante un periodo prolongado. Abra las puertas con menor frecuencia.

Hay humedad en el exterior del frigorífico o entre las puertas.

• Puede que haya humedad ambiental. Esto es perfectamente normal en climas húmedos. Cuando el grado de humedad descienda, la condensación desaparecerá.

Mal olor en el interior del frigorífico.

• El interior del frigorífico debe limpiarse. Limpie el interior del frigorífico con una esponja empapada en agua caliente o agua con gas.

• Es posible que el olor provenga de algún recipiente o envoltorio. Utilice otro recipiente o materiales para envolver de una marca diferente.

La puerta (o puertas) no se cierra.

• Puede que los paquetes de alimentos depositados no dejen que las puertas se cierren. Recolecte los paquetes que estén obstruyendo la puerta.

• Es probable que el frigorífico no esté en posición completamente vertical sobre el suelo y que oscile si se lo mueve ligeramente. Ajuste los tornillos de elevación.

• El suelo no está nivelado o no es firme. Compruebe que el suelo esté nivelado y que sea capaz de soportar el peso del frigorífico.

Los cajones están atascados.

• Es posible que algún alimento toque el techo del cajón. Cambie la distribución de los alimentos en el cajón.

Si la superficie del producto está caliente

• Pueden observarse altas temperaturas entre las dos puertas, en los paneles laterales y en la parrilla trasera mientras el producto esté en funcionamiento. Se trata de algo normal y no requiere mantenimiento del servicio.

ADVERTENCIA:

• Este producto puede exponerlo a productos químicos incluido el níquel (metálico) que se conoce en el Estado de California como causante de cáncer.

• Para más información, visite www.p65warnings.co.gov

• Nota: El níquel es un componente en todo acero sin satinar y algunos otros componentes metálicos.

DECLARACIÓN DE LA GARANTÍA PARA LOS REFRIGERADORES BLOMBERG

Las garantías proporcionadas por Blomberg en estas declaraciones se aplican solamente a los refrigeradores Blomberg vendidos al comprador o propietario original en Estados Unidos y Canadá. La garantía no es transferible. Para obtener el servicio de la garantía, comuníquese con nuestro distribuidor más cercano, según se indican por estado y provincia. Necesitará el número de modelo, el número de serie, y el nombre y dirección del vendedor de su refrigerador, donde lo compró y la fecha de compra /fecha de instalación. Esta garantía le otorga derechos legales específicos y también puede tener otros derechos, que varían según el estado. También, asegúrese de registrar su producto para la garantía en www.blombergappliances.com.

1 año (*) de garantía total a partir de la fecha de la primera instalación

Blomberg reparará o reemplazará sin ningún costo para el consumidor las piezas defectuosas del refrigerador si se utilizó bajo condiciones de electrodoméstico normal (la garantía se anula si este producto se usa de forma comercial, por ejemplo en un hotel, hogar de ancianos, etc.) A la reparación la debe realizar una agencia de servicio autorizada de Blomberg. (Los defectos cosméticos se deben informar en un plazo de 10 días hábiles a partir de la instalación). La garantía de 1 año de obra accesorios es para las piezas solamente y no incluye la mano de obra.

Garantía limitada de dos años desde la fecha de la primera instalación (únicamente piezas). Blomberg reparará o sustituirá cualquier pieza sin ningún costo para el cliente si los daños o los fallos de estos componentes se deben a materiales defectuosos o a la mano de obra. De nuevo, el frigorífico debe haberse usado bajo condiciones domésticas normales y no comercialmente, tal como se ha indicado anteriormente (la mano de obra va a cargo del cliente).

2 a 5 años (*, **) de garantía limitada a partir de la fecha de la primera instalación

(para las piezas solamente de 2 a 5 años) Blomberg reparará o reemplazará cualquier compresor, evaporador, condensador o secadora sin costo para el consumidor si los defectos en el material o la mano de obra causaron daños o fallas en estos componentes.

El refrigerador se debe haber usado bajo condiciones normales de electrodoméstico y no de manera comercial (los cargos por mano de obra son responsabilidad del consumidor).

Exención de las garantías y exclusiones:

La garantía no cubre los costos de reparación por parte de un agente de servicio autorizado para corregir la instalación, los problemas eléctricos o la instrucción educativa sobre el uso del refrigerador. La garantía tampoco cubre los defectos o daños causados por casos fortuitos (como tormentas, inundaciones, incendios, aludes, etc.), los daños causados por el uso del refrigerador para fines que no son para los que se diseñó, tampoco el mal uso, abuso, accidente, alteración, instalación incorrecta, mantenimiento, cargos de traslado, llamadas al servicio fuera de las horas de trabajo normales, recolección y entrega, cualquier pérdida de comida debido a la falla del producto, trabajo de reparación no autorizado o reparadores.

Este producto está completamente probado y pasó las inspecciones de control de calidad oficiales antes de dejar el sitio de fabricación original. Los términos de la garantía para este electrodoméstico Blomberg no son válidos si un distribuidor autorizado, reparador, vendedor de terceros, revendedor u otra persona autorizada altera, modifica o coloca piezas adicionales en el producto y vuelve a empacarlo.

EN LA MEDIDA PERMITIDA POR LA LEY, ESTA GARANTÍA SUSTITUYE TODAS LAS OTRAS GARANTÍAS EXPRESAS E IMPLÍCITAS INCLUIDAS LAS GARANTÍAS IMPLÍCITAS DE COMERCIABILIDAD Y APTITUD PARA UN FIN PARTICULAR. BLOMBERG NO ASUME NINGUNA RESPONSABILIDAD POR LA CALIDAD DE ESTE PRODUCTO EXCEPTO LO INDICADO EN ESTA DECLARACIÓN DE GARANTÍA. BLOMBERG NO SE HACE RESPONSABLE DE QUE EL PRODUCTO SE ADAPTE A ALGÚN FIN PARTICULAR PARA EL QUE USTED PUEDA COMPRAR ESTE PRODUCTO, EXCEPTO PARA LO INDICADO EN ESTA DECLARACIÓN DE GARANTÍA.

Blomberg no asume ninguna responsabilidad por los daños incidentales o resultantes. Esos daños incluyen, entre otros, pérdidas de ganancias, pérdidas de ahorros o ingresos, pérdidas del uso del refrigerador o cualquier otro equipo asociado, costos de capital, costos de cualquier equipo sustituto, instalaciones o servicios, tiempo de inactividad, reclamos de terceros y daños en la propiedad. Algunos estados no permiten la exclusión o limitación de los daños incidentales o resultantes, por lo tanto las anteriores limitaciones o exclusiones pueden no aplicarse en su caso.

(*)La fecha de instalación debe ser la fecha de compra o 5 días hábiles después de la entrega del producto al hogar, lo que ocurra después.

(**) Las piezas reemplazadas asumirán la identidad de las piezas originales + su garantía original.

Ninguna otra garantía. Esta Declaración de la garantía es la garantía completa y exclusiva del fabricante. Ningún empleado de Blomberg o cualquier otra parte está autorizado a realizar declaraciones de la garantía además de las que aparecen en esta Declaración de la garantía.

Guarde esta tarjeta de la garantía, el manual del usuario y el recibo de la venta para referencia futura.

CÓMO OBTENER SERVICIO

Comuníquese con el Distribuidor de su estado o provincia que se indica en la Lista de contacto de distribuidores, o llame a nuestro número gratuito al 1 800 459 9848 para obtener la dirección de un Agente de servicio Blomberg autorizado.