

**30 INCH ELECTRIC SLIDE-IN RANGE****BERU30422SS/ BERU30422CSS****Industry Leading  
Oven Capacity 5.7 cu.ft.**

Blomberg features the largest oven capacity available in a 30-inch range, with 5.7 cu. ft. of cooking space to accommodate everything from holiday roasts to full-size commercial baking sheets.

**Extra-Large  
Cooking Zone**

Blomberg ranges offer more than a beautiful appearance and the benefit of effortless cleanup. They feature the versatile advantage of allowing you to create an extra-large, 12" cooking zone for fast, efficient cooking in oversize pots and pans of any shape.

**Cool Touch Oven Door**

Blomberg ranges feature cool-touch glass on the oven door to prevent accidental burns and safely protect those small, curious fingers tempted to point out the cookie they want first!

**GENERAL**

Type	Freestanding
Size	30"
Color	Stainless Steel
Fuel Type	Electric
Burners Color	Black Glass
Control Type	Knob Control
Knob Color	Stainless Steel

**FUNCTIONS**

Cooking Functions	5
Convection Bake	Yes
Convection Roast	Yes
Self Clean	Yes
Broil	Electric
Sabbath Mode	Yes

**SPECIAL FEATURES**

Bottom Storage Drawer	Yes
Adjustable Feet	Yes

**COOKTOP**

Zone Configuration	4 Vitroceramic
Front Left	5"8" - 750/2200W
Rear Left	8" - 2200W
Front Right	9"12" - 1800/3000W
Rear Right	6" - 1200W
Residual Heat Indicators	Yes

**OVEN FEATURES**

Oven Glass Window	"O" Shaped Metal + Glass
Door Cooling System	Cool Door - 4 Pane Heat Resistant Glass (Fixed)
Oven Door Lock	Yes
Oven Lights	1 x Round Halogen light (Rear) + 1 x Square Halogen light (Right)
Oven Enamel Color	Black
Rack Positions	Stay in self clean – 6 levels
Preheat Indicator Light and Signal	Yes
Pyrolytic Self Cleaning	Yes
Cooling Fan	Yes
Fan Heating	Yes

**ACCESSORIES**

Chromed Wire Racks	2
Island Trim	Included
Plug Type	No Plug for USA Market
Canadian Model: 4-prong NEMA power supply cord	BERU30422CSS

**POWER RATINGS**

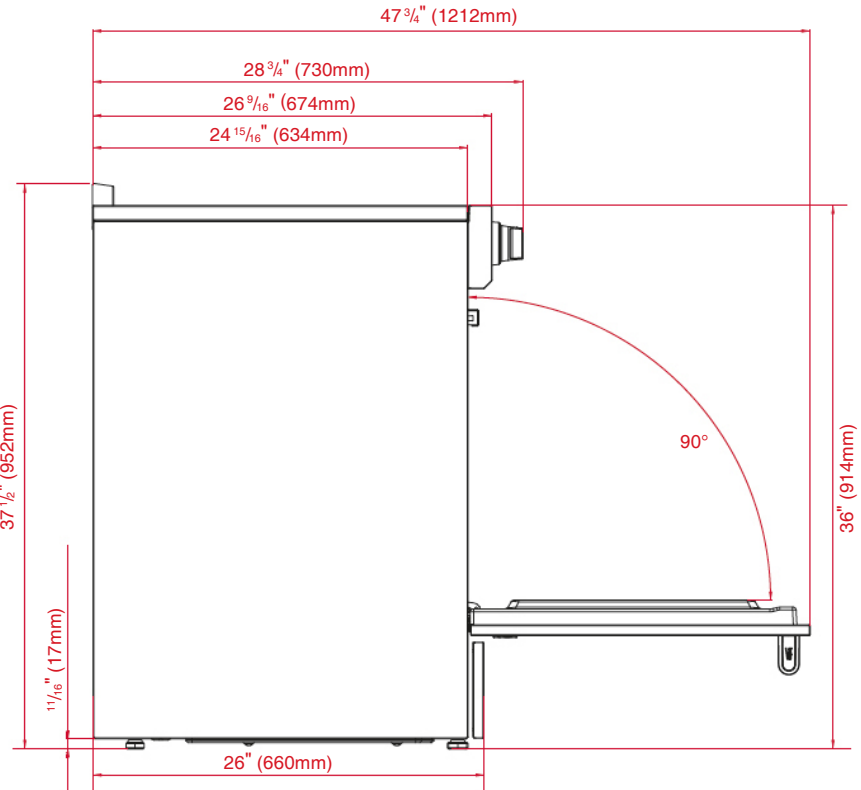
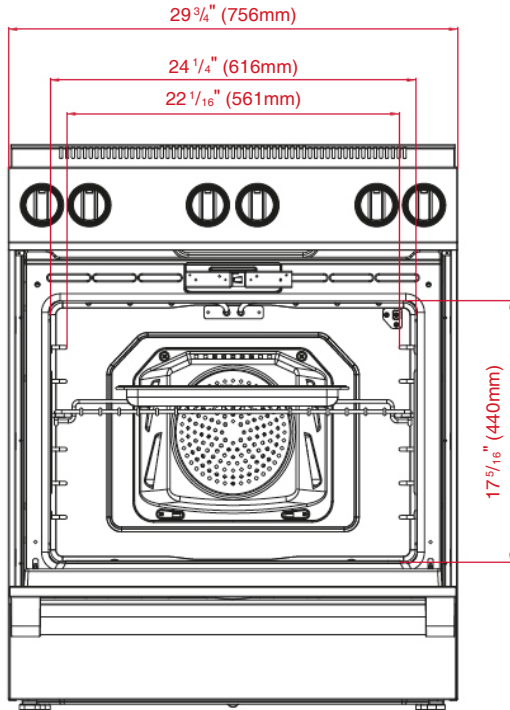
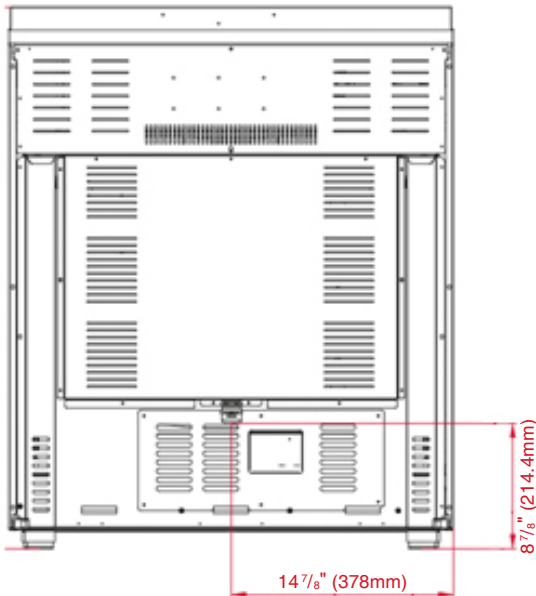
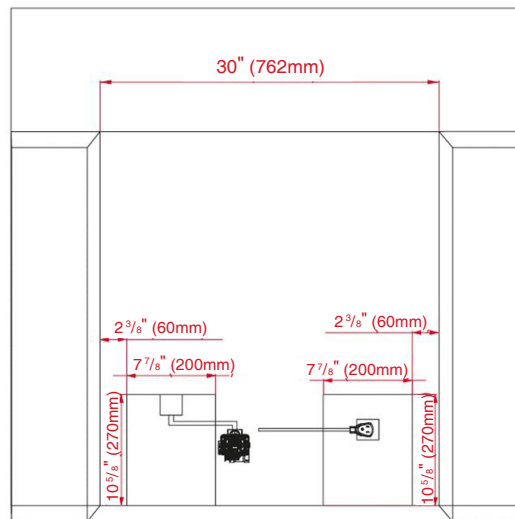
KW/Amps rating	220 - 240 V, 60 Hz, 40 Amp
Bottom Heating Element	2,400 W
Upper Heating Element	Outer: 1,500 W; Inner: 2,000 W
Bake	2,400 W
Broil	3,500 W

**DIMENSIONS/WEIGHT**

Required Cutout Dimensions - (H x W x D) Inches	36" x 30" x 25 1/2"
Product Dimensions - (H x W x D) Inches	36" x 29 3/4" x 28 3/4"
Product Dimensions - (H x W x D) cm	91.4 x 75.6 x 73 cm
Product Weight - lbs	255.7 lbs
Product Weight - kg	116 kg

**30 INCH ELECTRIC SLIDE-IN RANGE**

BERU30422SS/ BERU30422CSS

**Dimensions and Installation****Electrical****Cabinet**

**NOTE TO THE INSTALLER:** All height, width and depth dimensions are shown in inches (as well as metric). Beko US Inc. reserves the absolute and unrestricted right to change product materials and specifications, at any time, without notice. Please visit our website [www.blombergappliances.com](http://www.blombergappliances.com) or call 888-352-2356 to verify the latest specifications with final dimensional data and other details prior to installation and making a cutout. Applicable product limited warranty information may be found in accompanying product materials or you may contact your account manager for further details. Proper installation is the responsibility of the installer. Product failure due to improper installation is not covered under the Limited Warranty.