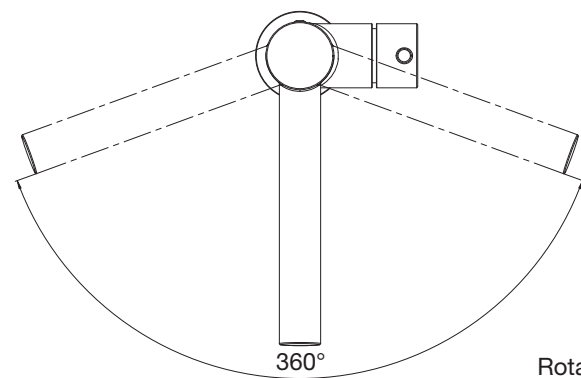
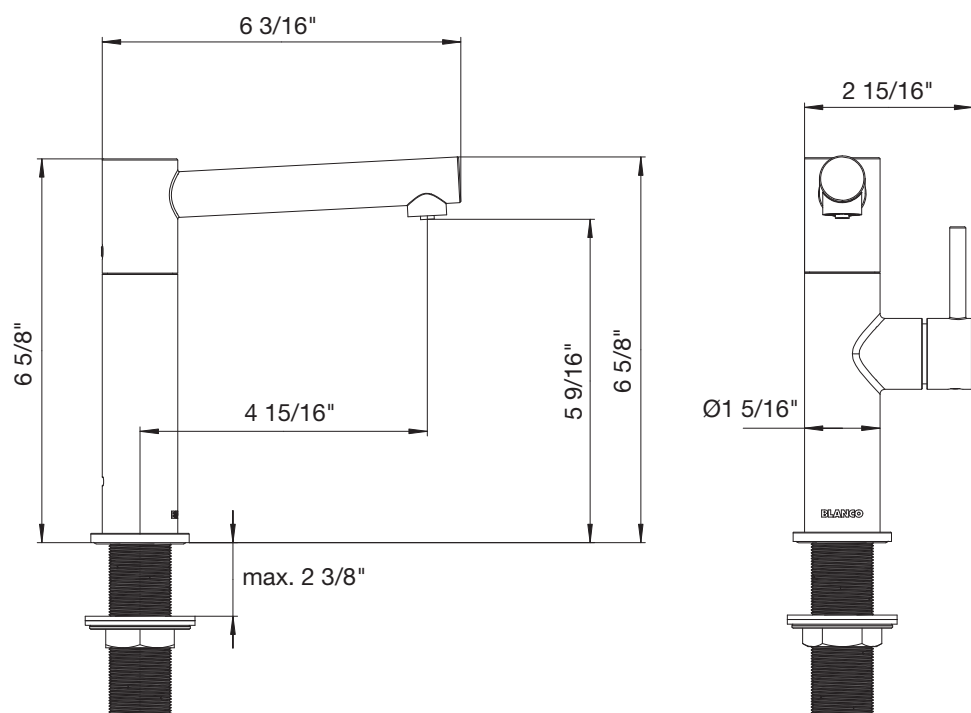


## BLANCO ALTA II Beverage



BLANCO CANADA INC. and BLANCO AMERICA INC. are subject to the terms below pleased to offer a:

- Limited Lifetime Warranty with all BLANCO faucets used in interior single-family domestic installations;
- Limited 10 Year Warranty with all BLANCO faucets used in interior multi-residential and rental housing installations; and
- Limited 5 Year Warranty with all BLANCO faucets used for commercial purposes in interior installations.

BLANCO warrants its faucets to be free from all proven manufacturing defects in material and workmanship. BLANCO will repair or replace at no charge, excluding labor and freight, any faucet supplied by BLANCO that is proven to be defective under normal use.

### LIMITED WARRANTY FOR COMPONENTS SUBJECT TO ORDINARY WEAR AND TEAR

- Limited 10 Year Warranty for all (i) mechanical components such as handles, cartridges, sprayheads, spray hoses, aerators and (ii) electronic faucets and components (batteries are excluded) used in interior single-family domestic installations and interior multi-residential and rental housing installations.
- Limited 5 Year Warranty for all (i) mechanical components such as handles, cartridges, spray heads, spray hoses, aerators and (ii) electronic faucets and components (batteries are excluded) used for commercial purposes in interior installations.

### WARRANTY EXCLUSIONS AND OTHER TERMS

BLANCO shall not be liable in case of: (A) improper installation or modification, damages resulting from abuse, such as heavy impact or dropped objects, improper care or maintenance, improper applications (such as exposure to corrosive chemicals, photographic solutions, etc.), and any modifications made to the product after it left BLANCO premises; (B) wear and tear, including chips, scratches and stains that can occur under normal use; or (C) loss or damage to any person or property whatsoever resulting from a defective product.

All transportation costs to and from the point of purchase, labor, removal and reinstallation will be the responsibility of the purchaser.

For greater clarity, accessories that accompany the sink (strainers, waste fittings, waste chutes etc.) are under separate product-specific warranties.

TO THE EXTENT NOT PROHIBITED BY LAW, NO OTHER WARRANTY, WHETHER EXPRESS, IMPLIED, OR STATUTORY, INCLUDING ANY WARRANTY OF MERCHANTABILITY OR FITNESS FOR A PARTICULAR PURPOSE SHALL BE DEEMED TO EXIST IN CONNECTION WITH ANY OF THE GOODS OR SERVICES SUPPLIED HEREUNDER, AND ALL IMPLIED WARRANTIES, INCLUDING ANY IMPLIED WARRANTIES FOR A PERIOD GREATER THAN THE WARRANTY PERIOD CONTAINED IN BLANCO'S LIMITED WARRANTY, ARE HEREBY EXCLUDED. BLANCO SHALL NOT BE LIABLE FOR ANY INDIRECT, INCIDENTAL, SPECIAL OR CONSEQUENTIAL DAMAGES IN ANY WAY RELATED TO THE GOODS OR SERVICES SUPPLIED HEREUNDER. THE REMEDIES DESCRIBED IN THIS WARRANTY ARE YOUR SOLE AND EXCLUSIVE REMEDIES AND OUR ENTIRE LIABILITY FOR ANY BREACH OF THIS WARRANTY.

THIS WARRANTY GIVES YOU SPECIFIC LEGAL RIGHTS, AND YOU MAY ALSO HAVE OTHER RIGHTS WHICH VARY FROM JURISDICTION TO JURISDICTION. SOME PROVINCES, STATES OR OTHER JURISDICTIONS DO NOT ALLOW THE EXCLUSION OR LIMITATION OF IMPLIED WARRANTIES OR OF INCIDENTAL OR CONSEQUENTIAL DAMAGES, SO THE ABOVE LIMITATIONS OR EXCLUSIONS RELATING TO IMPLIED WARRANTIES, OR INCIDENTAL OR CONSEQUENTIAL DAMAGES MAY NOT APPLY TO YOU.

This warranty applies only to the products sold and installed in Canada and the U.S.A. Blanco Canada Inc. will be responsible for this warranty for products sold and installed in Canada and Blanco America, Inc. will be responsible for this warranty for products sold and installed in the U.S.A. This warranty supersedes all previous warranties for any BLANCO sink, faucet, accessory, soap dispenser, and repair part in the U.S.A and Canada. This is BLANCO's exclusive written warranty and the warranty is not transferable without the prior written consent of Blanco, in its sole and absolute discretion.

To obtain warranty service, please visit the support section on our website [www.blanco.com](http://www.blanco.com).

**BLANCO**  
www.blanco.com

BLANCO America Inc.  
110 Mount Holly Bypass,  
Lumberton, New Jersey 08048  
Toll free phone: 1-800-451-5782  
Toll free fax: 1-800-213-1963  
service.us@blanco.com

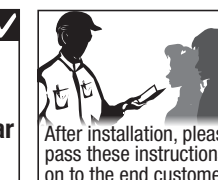
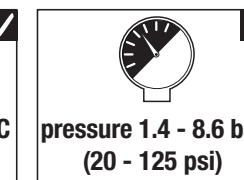
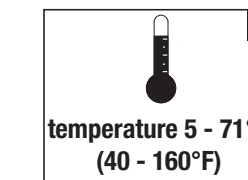
BLANCO Canada Inc.  
100 Corporation Drive  
Brampton, Ontario L6S 6B5  
Toll free phone: 1-877-425-2626  
Toll free fax: 1-877-825-2626  
service.ca@blanco.com

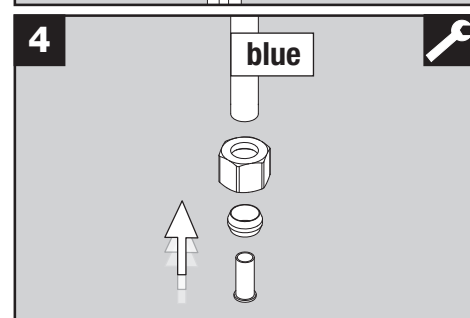
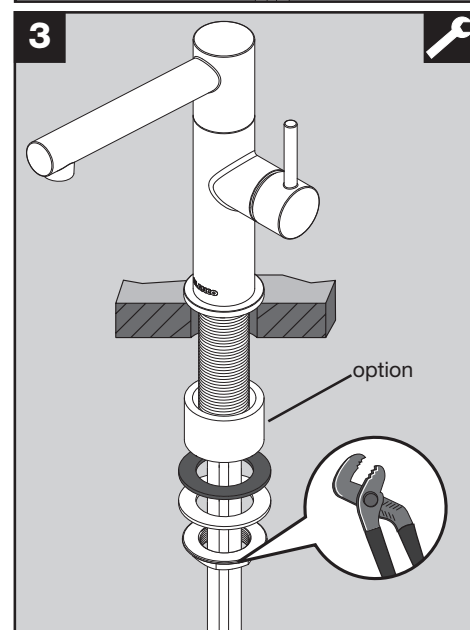
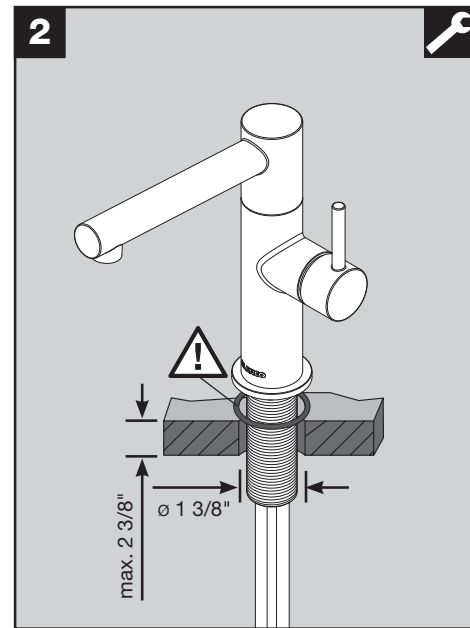
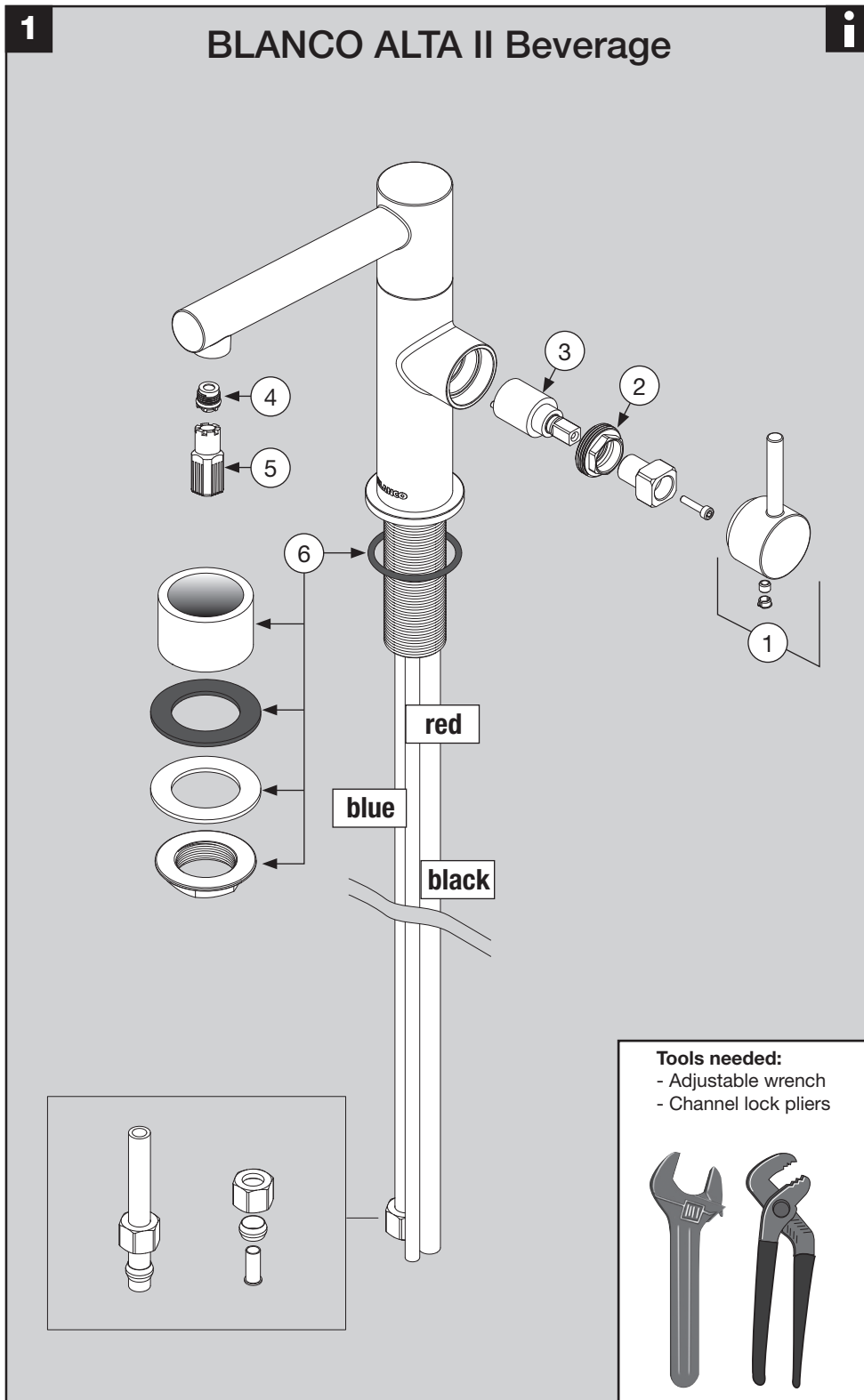
## BLANCO ALTA II Beverage

EN



124 845 07/2023





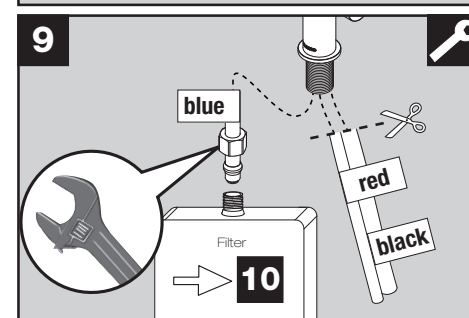
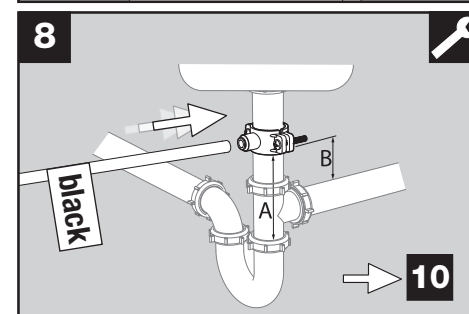
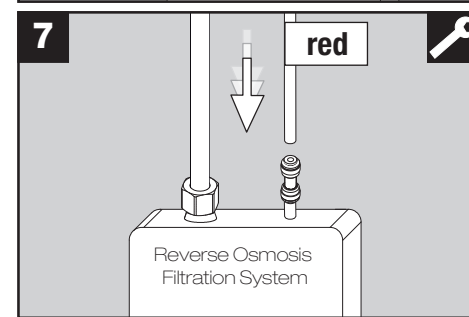
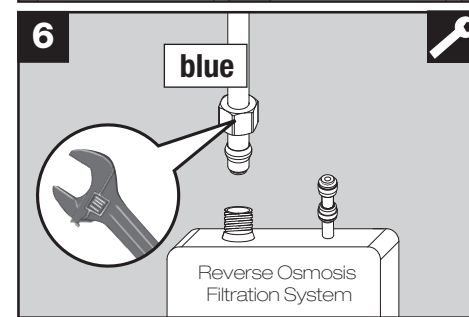
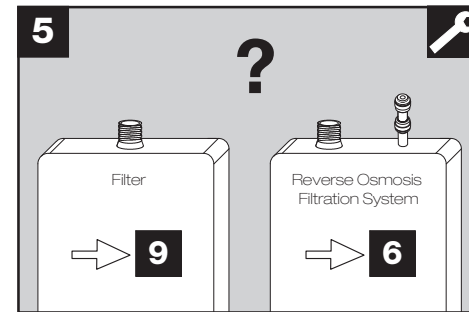
**INSTALLATION**

Place faucet through 1 3/8" hole. Make sure that the sealing ring on the upper sink/countertop side is in its correct position.

Secure faucet to sink/countertop using mounting hardware (6).

The proper sequence of hardware is:  
 - spacer sleeve (optional for thin countertops)  
 - rubber washer  
 - metal washer  
 - mounting nut.

Slide the nut and the ring over the blue hose, then push the grommet into the hose.



If you have a water filter, follow the steps in figure 9.

If you have a Reverse Osmosis Filtration System with a separate connector for flushing water, continue with figures 6-8, then continue with figure 10.

**Only for Reverse Osmosis Filtration Systems:**

Fully insert the blue hose into the 9/16" threaded fitting for filtered water and tighten the nut.

**Only for Reverse Osmosis Filtration Systems:**

Connect the red hose to the 1/4" plug connector on the filter system for flushing water.

**Only for Reverse Osmosis Filtration Systems:**

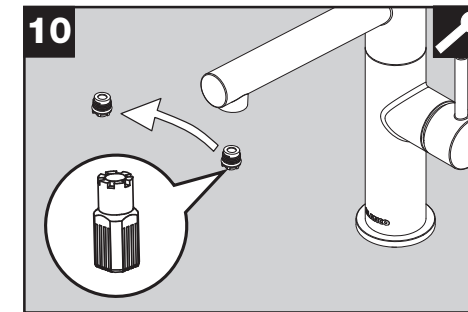
Install the black 3/8" hose for waste water on a drain saddle (not included). To ensure proper drainage, observe the distances A and B (see instruction of drain saddle).

Continue with figure 10.

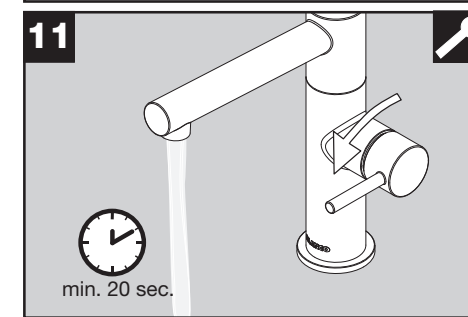
**Only for water filters without separate connector for flushing water:**

Fully insert the blue hose into the 9/16" threaded fitting for filtered water and tighten the nut.

Cut off the red and black hoses at the bottom of the faucet. These are no longer needed. Continue with figure 10.

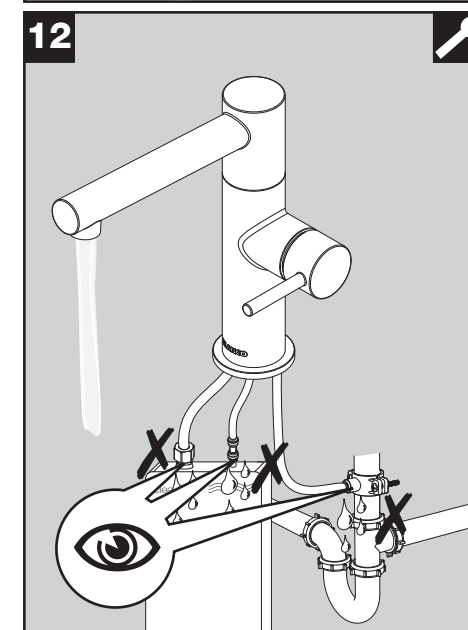


Remove aerator (4) using the aerator key (5).

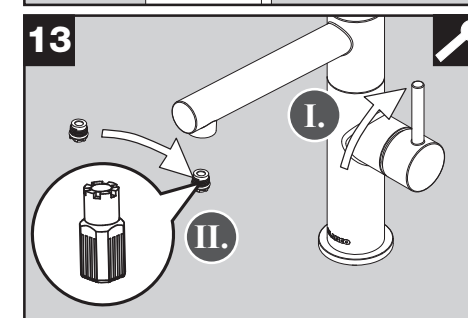


Turn the faucet on and let the water run for at least 20 seconds to ensure the lines and the faucet are flushed.

Check the user manual of your filter system for its own flushing requirements.



Double check all connections for leaks.



1. Turn the water off.  
 2. Reinstall the aerator.