

FEATURED MODEL

441759 Pull-Out with Dual Spray, CHROME

ADDITIONAL MODELS

441760 Pull-Out with Dual Spray, STAINLESS STEEL

FEATURES

- Button activated dual spray
- Solid brass body and pull out spray
- Ceramic disk cartridge
- Extra long supply lines
- 2.2 GPM flow rate
- Installation in a 1-3/8" hole
- Color coded hot and cold supply lines

- *180 degree spout swivel
- *2-1/4" maximum deck thickness

OPTIONAL ACCESSORIES

Napa Soap Dispenser: 441755 (Chrome)

CODE/STANDARDS COMPLIANCE

ASME A112.18.1-2011
NSF 61 certified
NSF 61 ANEX G low lead requirements
CMR 248 - MA

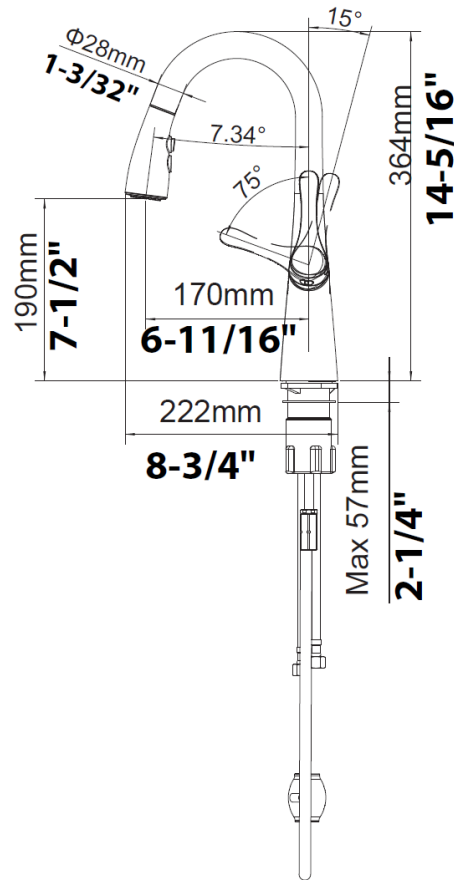
AB1953 Lead Free



Model 441759 shown

NOMINAL DIMENSIONS

REACH	SPOUT HEIGHT	FAUCET HEIGHT
6-11/16"	7-1/2"	14-5/16"



WARRANTY

BLANCO'S kitchen and bar faucets feature a LIMITED LIFETIME WARRANTY to be free of all manufacturing defects under normal use. See our complete warranty for details.

While BLANCO endeavors to provide accurate information, all dimensions are nominal, cannot be guaranteed, and are subject to change or cancellation. BLANCO assumes no responsibility for use of superseded or voided specifications.

JOB INFORMATION

Job Name: _____

Contact: _____

Date Specified: _____

Specifier: _____

Contractor: _____

See next page for exploded parts drawing and parts list.

BLANCO AMERICA

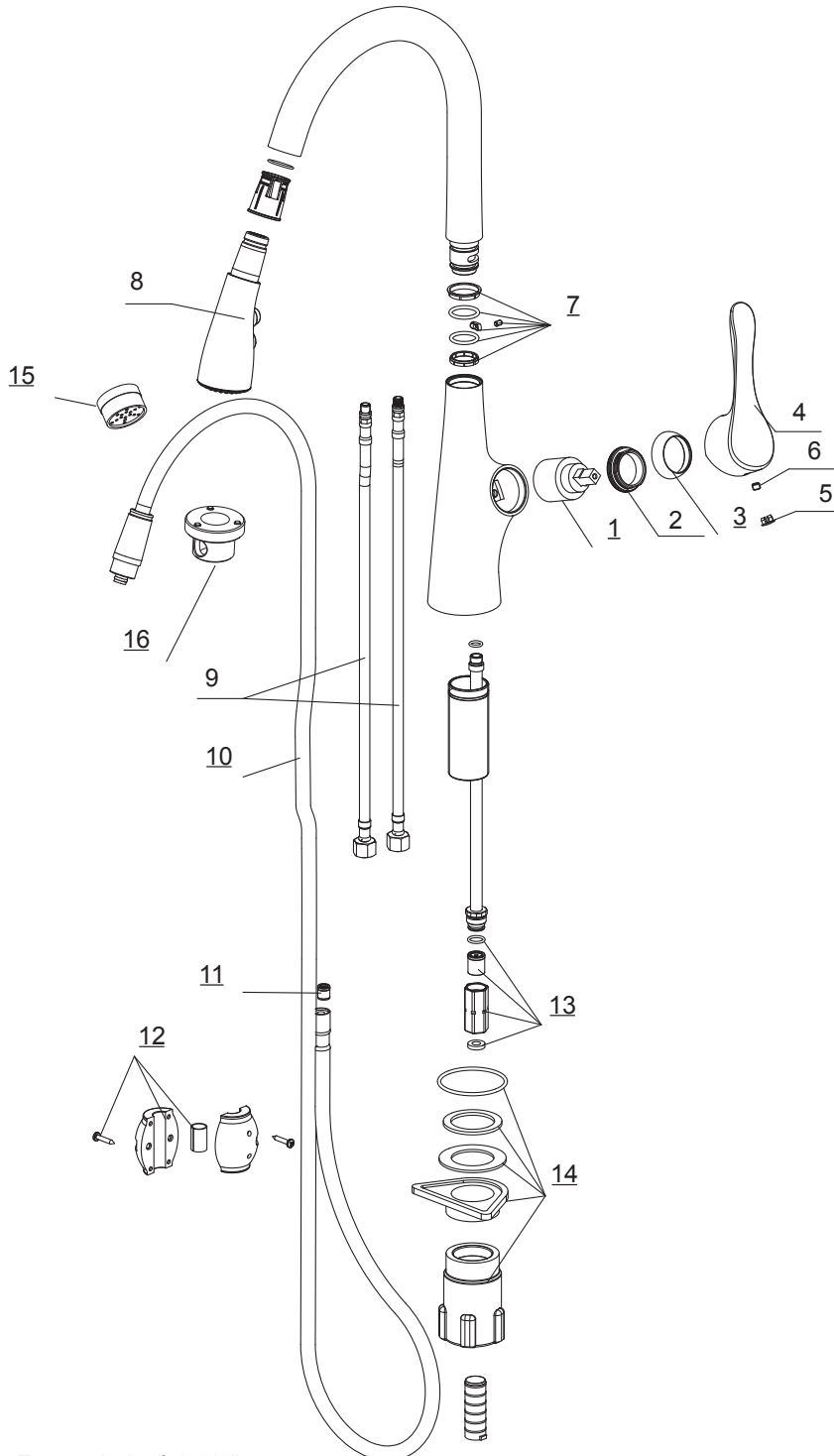
800.451.5782

www.blancoamerica.com

© 2014 BLANCO AMERICA

9/14

SPEC-001



Faucet hole Φ 1-3/8"

REPAIR PART GUIDE		
Num.	Description	Part #
1	Cartridge	441545
2	Cartridge lock nut	441544
3	Cartridge cap - Chrome Cartridge cap - Stainless	441557 441558
4	Handle - Chrome Handle - Stainless	441559 441560
5	Screw cap - Chrome Screw cap - Stainless	441540 441573
6	Handle screw	441539
7	Set of O-rings and Screw	441561
8	Handspray - Chrome Handspray - Stainless	441568 441569
9	Supply Lines	441566
10	Spray Hose	441574
11	Check valve	441555
12	Weight	441556
13	Check valve w/flow restrictor 2.2GPM Check valve w/flow restrictor 1.8GPM	441572 441570
14	Mounting Kit	441548
15	Aerator	442083
16	Aerator Tool	441957

Need to Change a Faucet Cartridge?



Scan this QR code
to see our how-to video

For faucet technical support or questions,
please e-mail us at faucets@blancoamerica.com