

FLOWTM

Motion Activated



UPLUS UP7009-I-5-*

FLOWTM

Motion Activated

Service/ Customer Service :

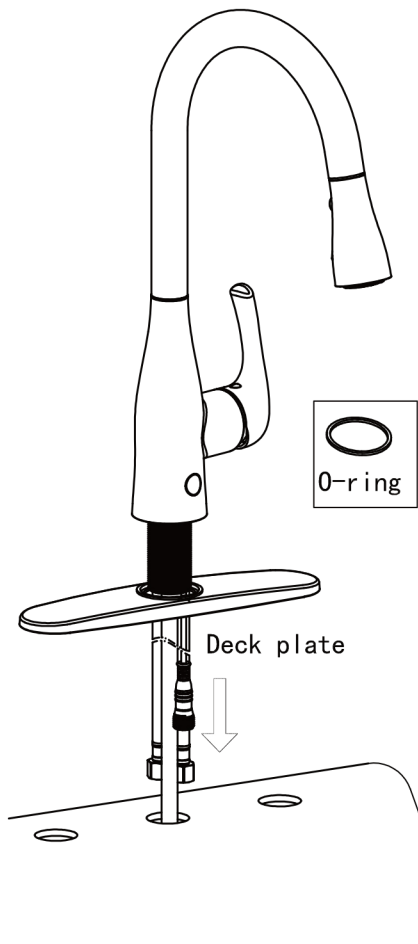
UPLUS Corporation
204 Berg Street

Algonquin IL 60102

847.458.2334
877.339.5217

www.biobidet.com

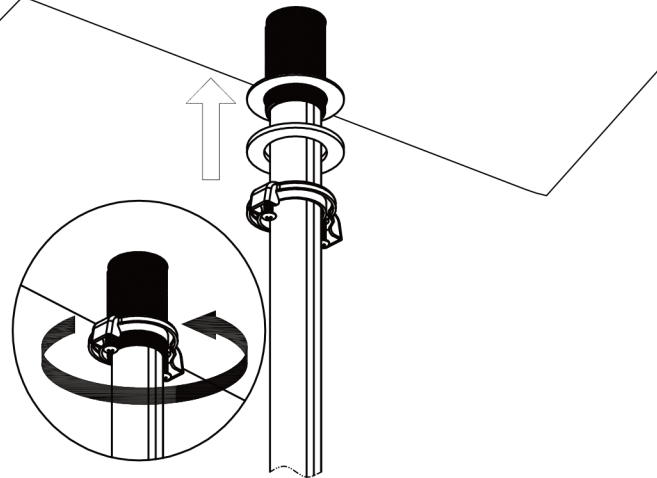
2



For 1-hole sink, insert the O-ring over the cable, hoses and the shank into the faucet bottom, and then mount the faucet on the sink.

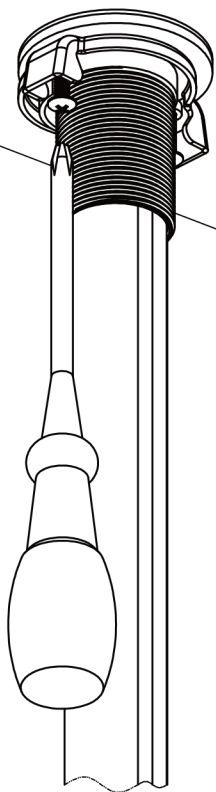
For 3-hole sink, insert deck plate over the cable and hoses in the mounting shank, aligning the grooves in the deck plate with the arches on the faucet bottom, and then mount the faucet on the sink.

3



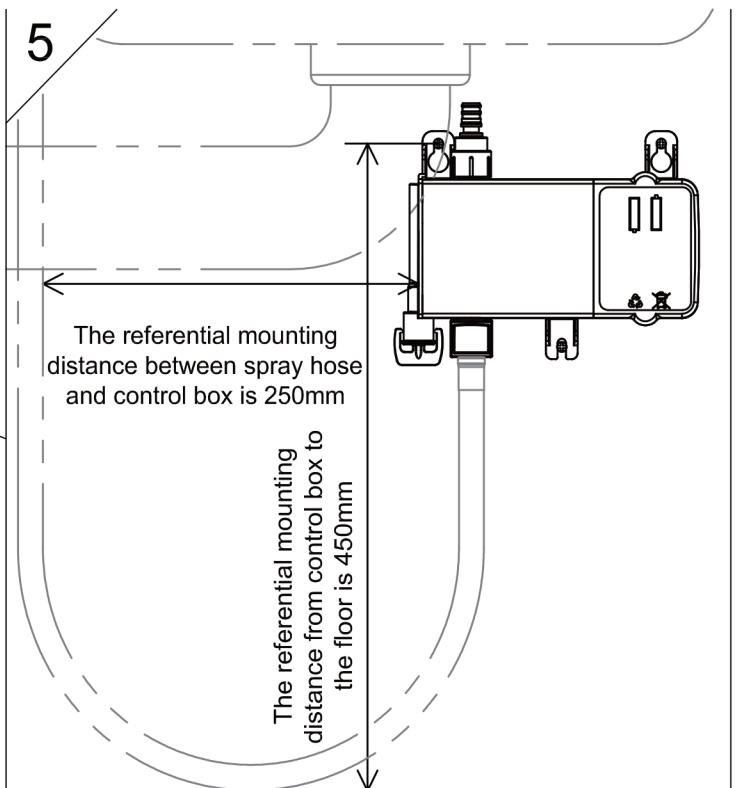
Slide the rubber gasket, the flange gasket and the mounting nut in sequence over the hoses and the data cable onto the shank and hand tighten them firmly.

4



Use a cross screwdriver to thread the 2 screws for further security.

5

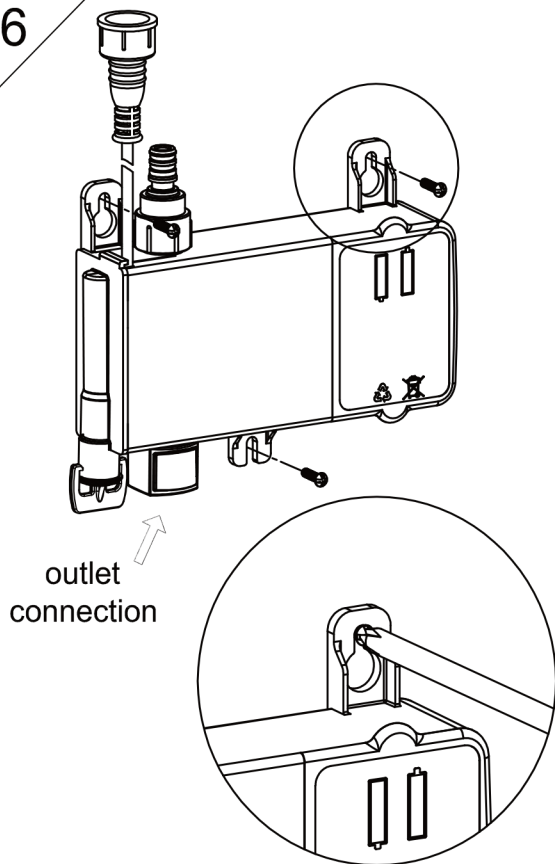


The referential mounting distance between spray hose and control box is 250mm

The referential mounting distance from control box to the floor is 450mm

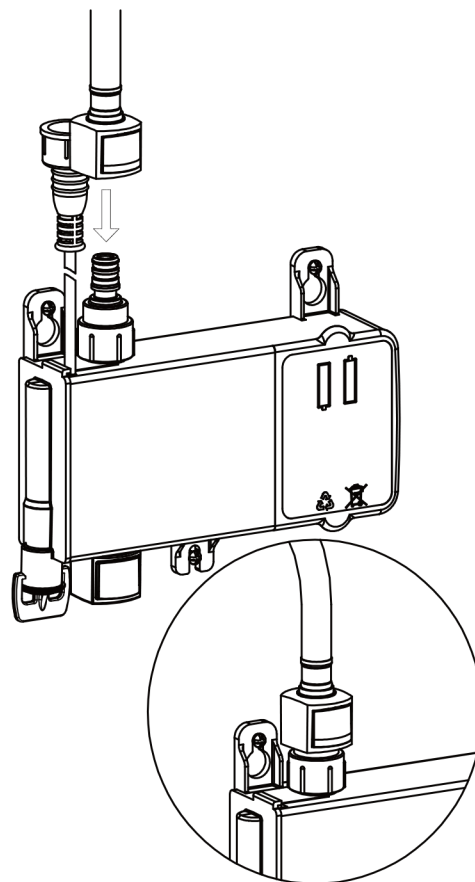
The dimension shown in the figure is a referential mounting distance for control box (The dimension is adjustable for better performance)

6



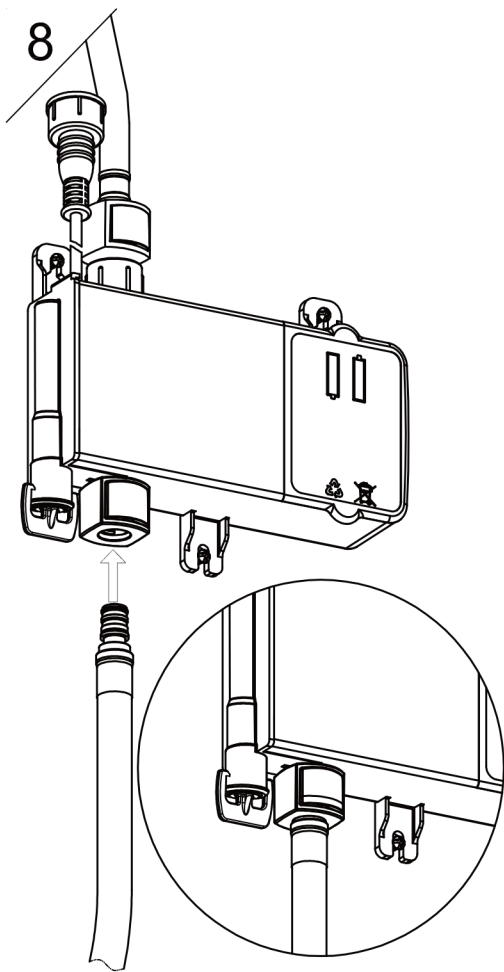
Mount the control box under the sink by a cross screwdriver according to the referential dimension, leaving some adjusting space.

7



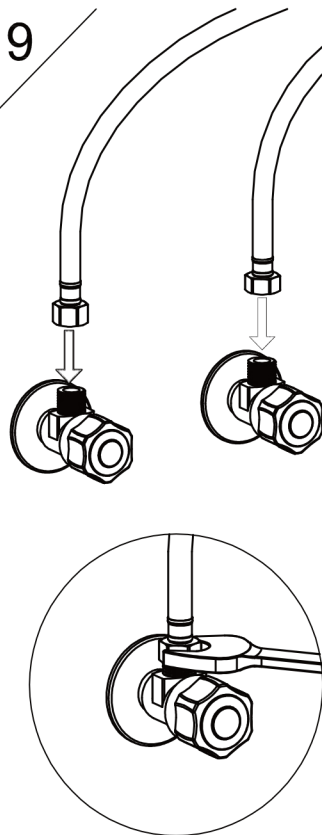
Connect the outlet hose to the control box with our innovative "quick connection".

8



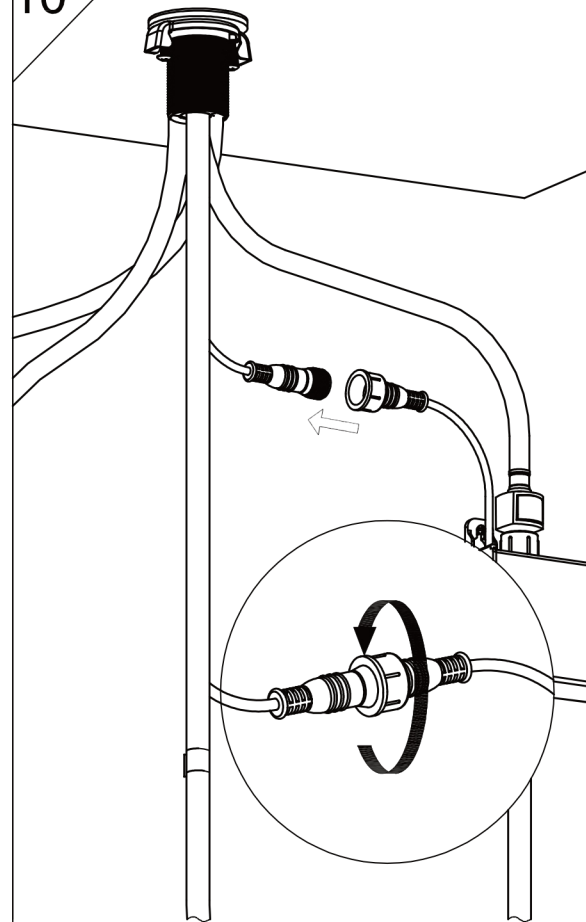
Connect the spray hose to the control box.

9



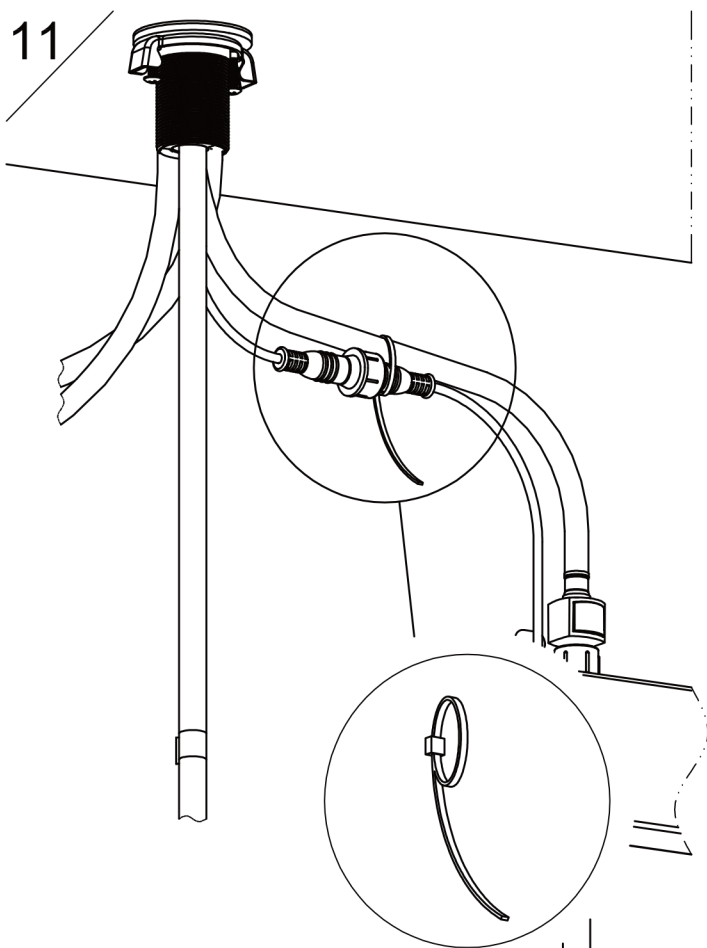
Connect the hot & cold supply lines onto the matching water valves and secure the connection with an adjustable wrench.

10



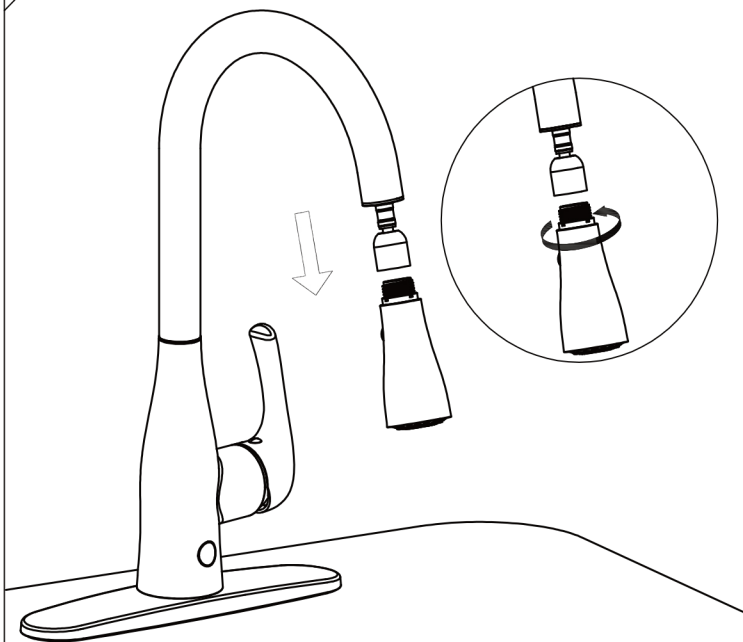
Connect the data cables and thread them properly with your fingers.

11



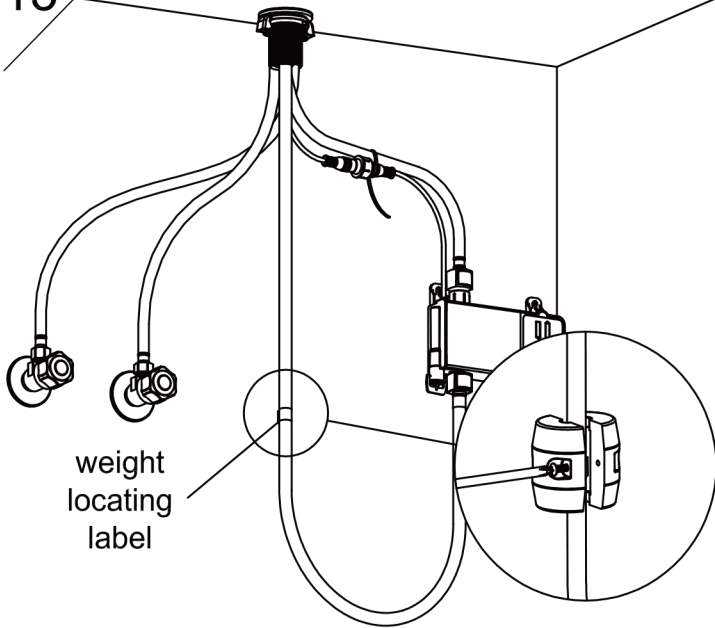
Tie the data cables together with the outlet hose by using a zip tie. Do not include the pull-down hose in the zip tie.

12



Attach and secure the spray head onto the pull-down hose.

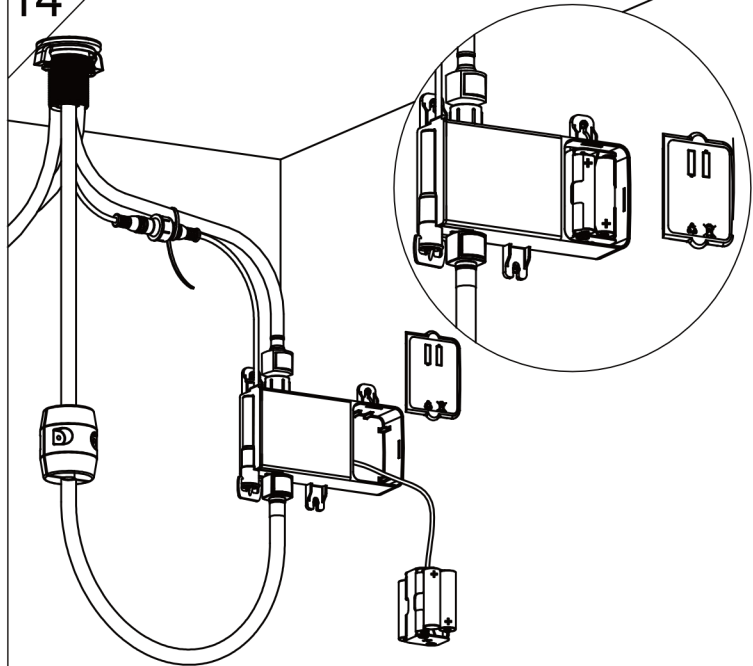
13



weight
locating
label

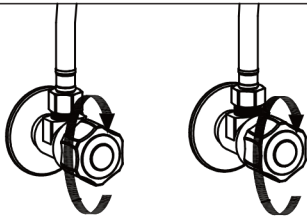
Install the counterweight on the pulldown hose at the marked position (the weight should be placed between this mark), and fix them by a cross screwdriver.

14



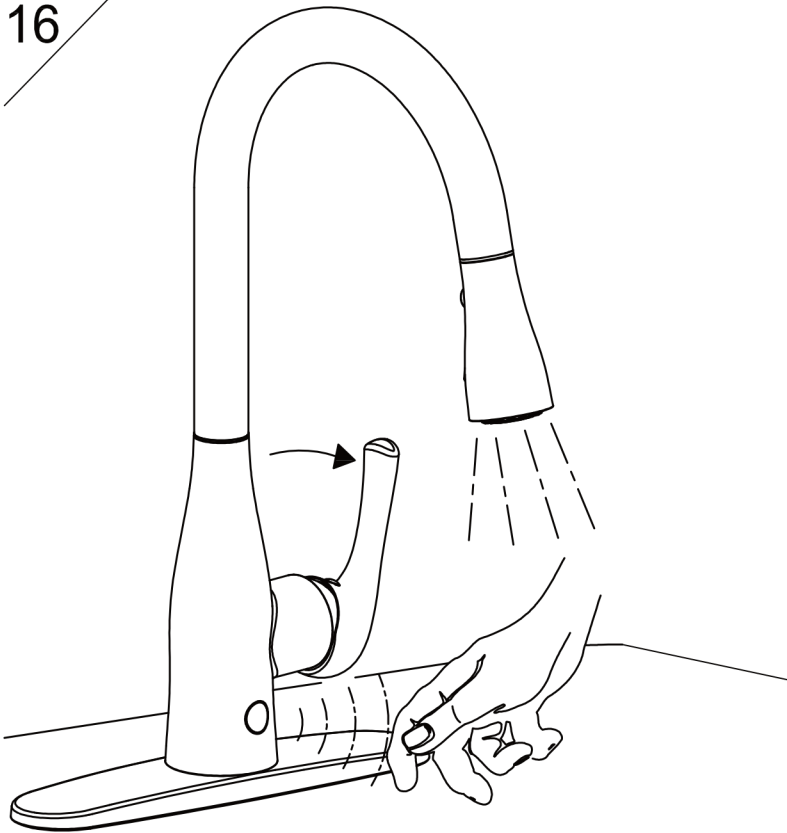
Remove the battery pack cover and take out the battery pack; insert 4 AA batteries. Put the battery pack back in the control box and replace the cover firmly.

15

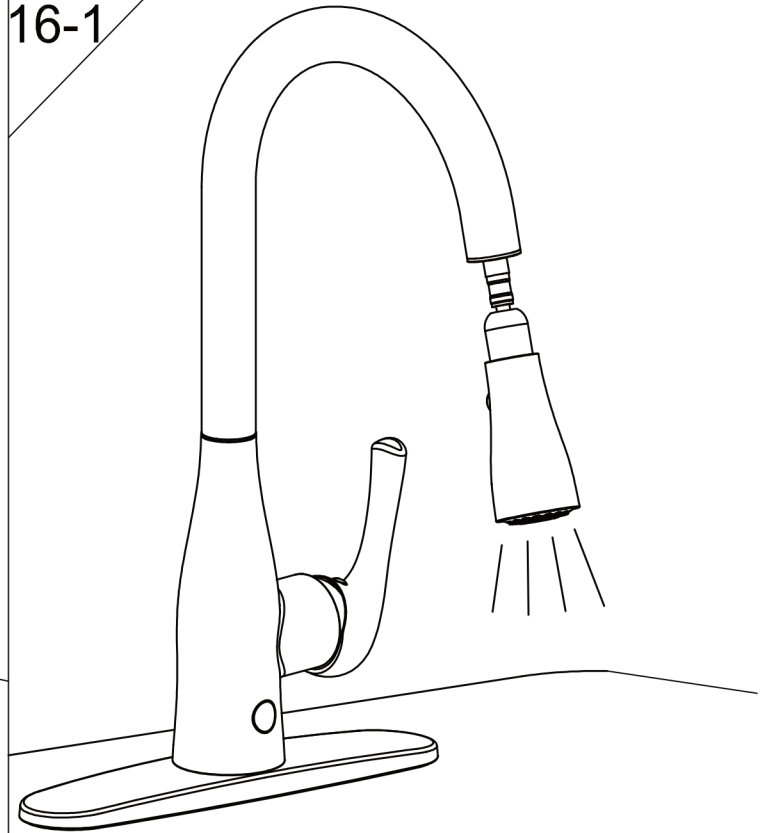


When installation steps 1-14 are completed, turn the hot & cold water inlets back on.

16

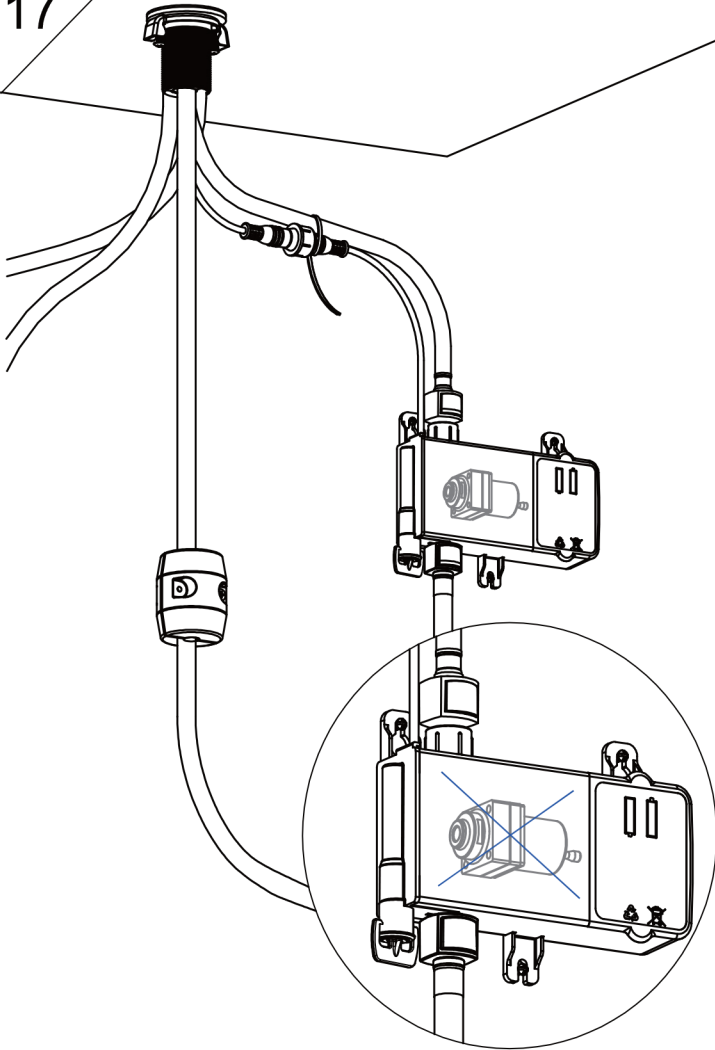


16-1

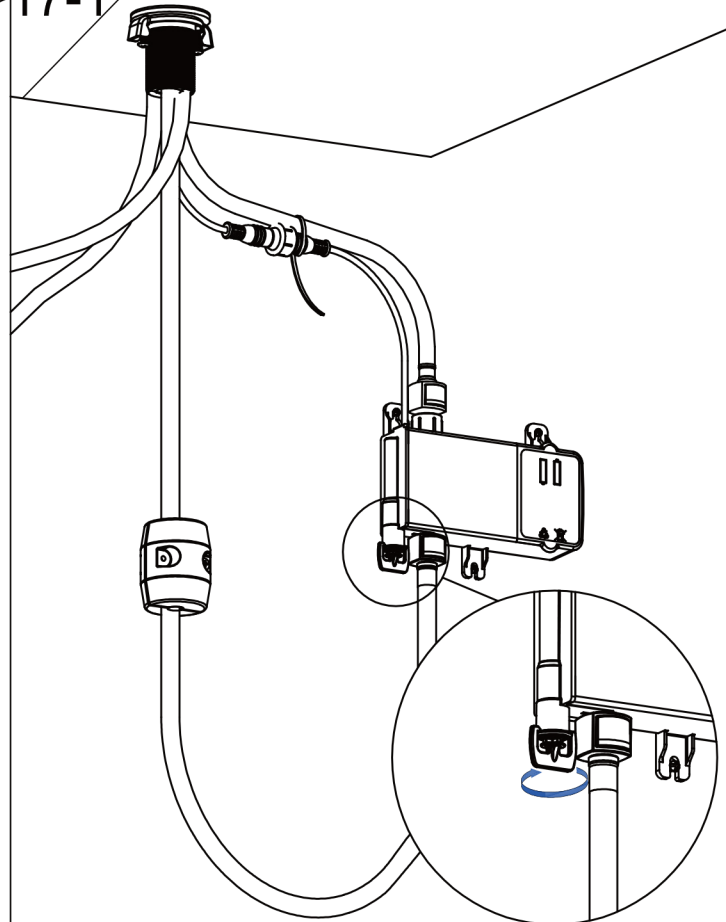


Turn on the faucet by the handle and wave your hand over the Sensor ; the water turns on. The water temperature changes by manipulating the handle. Run the water flow and it will stop automatically in 3 minutes. Check for leaks. Then pull out the spray head (the infrared sensor will stop working when the spray head is pulled out and will reactivate in 3 minutes). Slide the spray head back in original position, and the water turns off. Repeat the operation several times, and check for errors. If none, then the faucet is good for use.

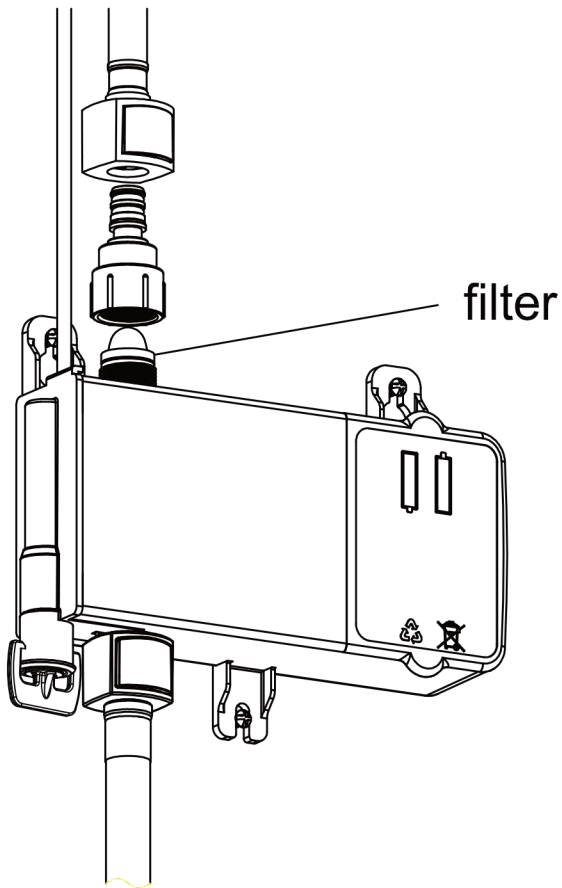
17



17-1



For manual operation, turn the knob beneath the control box counter-clockwise to the end (as shown in figure 17-1). The sensor will be disabled and the faucet will be operational by the handle only.



If the water flow rate is lower than normal level, there may be severe blocking in the filter. In this situation, shut off the water valves and remove the supply hose from the control box; loosen the inlet "quick connection" and take out the filter; clean the filter up and reassemble them back.

For good maintainence, turn the handle off when the faucet will not be in use for an extended amount of time.

Model:UP7009-I-5-*

1 YEAR WARRANTY.

FLOW Motion Activated Kitchen Faucet comes with 1 year warranty from date of purchase.

100% Coverage of all parts and labor for the entire product for the first year from original date of purchase

Our obligations under this warranty are limited to repair or replacement, at our option, of products or parts found to be defective, provided that such products were properly installed and used in accordance with instructions. UPLUS reserves the right to make such inspections as may be necessary in order to determine the cause of the defect. UPLUS will not charge for labor or parts in connection with warranty repairs or replacements.

UPLUS is not responsible for the cost of removal, return and/or reinstallation of products.

This warranty does not apply to the following items:

Damage or loss sustained in a natural calamity such as fire, earthquake, flood, thunder electrical storm, etc.

Damage or loss resulting from any unreasonable use, misuse, abuse, negligence, or improper maintenance of the product. Damage or loss resulting from removal, improper repair, or modification of the product. Damage or loss resulting from sediments or foreign matter contained in a water system. Damage or loss resulting from improper installation or from installation of a unit in a harsh and/or hazardous environment This warranty gives you specific legal rights. You may have other rights which vary from state to state.

UPLUS UP7009-I-5-*

To obtain warranty repair service under this warranty, you must take the product or deliver it prepaid to our service facility together with a letter stating the problem, or contact a distributor or products service contractor. This written warranty is the only warranty made by UPLUS. Repair or replacement as provided under this warranty shall be the exclusive remedy available to the purchaser. We shall not be responsible for loss of the product or for other incidental, special or consequential damages or expenses incurred by the purchaser, or for labor or other costs due to installation or removal, or costs of repairs by others, or for any other expense not specifically stated above. Except to the extent prohibited by applicable law, any implied warranties, including that of merchantability or fitness for use, are expressly limited to the duration of this warranty. Some states do not allow limitations on how long an implied warranty lasts, or the exclusion or limitation of incidental or consequential damages, so the above limitation and exclusion may not apply to you.

How to obtain service:

To obtain repair service under this warranty, you must contact us to obtain an RMA (Return Merchandise Authorization) number. Proof of purchase in the form of a copy of your original receipt must accompany the returned unit for the warranty to be valid. Take or ship the unit pre-paid to the closest authorized service center along with your RMA number and proof of purchase.

To obtain your RMA number and locate the service center location nearest you, call 847.854.1295.