

Safety Instructions

1

IMPORTANT SAFETYGUARDS

When using electrical products, especially when children are present, basic safety precautions should always be followed.

READ ALL INSTRUCTIONS BEFORE USING

- In the case 120V 60Hz : Power supply must be a 15 Amp GFCI outlet.
- The electrical cord must be connected to a GFCI outlet.
- The GFCI outlet should be 1ft. above the floor.
- Install only in well-ventilated areas to avoid excess humidity.
- Do not install in narrow toilet stalls or in shower stalls.
- Install only where direct contact with water is minimized.
- Do not install near any heat source.
- Avoid using extension cords if possible. Consult with a certified electrician where extension cords are necessary.

DANGER – To reduce the risk of electrocution:

- Do not use while bathing.
- Do not place or store product where it can fall or be pulled into a tub or sink.
- Do not place in or drop into water or other liquid.
- Do not reach for a product that has fallen into water. Unplug immediately.

WARNING – To reduce the risk of burns, electrocution, fire or injury to persons:

- Close supervision is necessary when this product is used by, on, or near children or invalids.
- Use this product only for its intended use as described in this manual. Do not use attachments not recommended by the manufacturer.
- Never operate this product if it has a damaged cord or plug, if it is not working properly, has been dropped or damaged, or dipped into water. Return the product to a service center for examination and repair.
- Keep the cord away from heated surfaces.
- Never drop or insert any object into any opening or hose.
- Do not use outdoors or operate where aerosol (spray) products are being used or where oxygen is being administered.
- Connect this product to a properly grounded outlet only. See grounding instructions.
- Unplug this product before filling. Fill (reservoir) with water only.

GROUNDING INSTRUCTION

DANGER - Improper use of the grounding plug can result in a risk of electric shock.

This product has a three-prong grounding plug, which must be plugged into an outlet that is properly installed and grounded. In the event of an electrical short circuit, grounding reduces the risk of electric shock by providing an escape wire for the electric current. If repair or replacement of the cord or plug is necessary do not connect the grounding wire to either flat blade terminal.

The wire with insulation having an outer surface that is green with or without yellow stripes is the grounding wire. Check with a qualified electrician or service person if the grounding instructions are not completely understood, or if in doubt as to whether the product is properly grounded.

This product is for use on a nominal 120V circuit, and has a grounding plug that looks like the plug illustrated in sketch A in Figure 1.

A temporary adapter, which looks like the adapter illustrated in sketches Band C, may be used to connect this plug to a 2-pole receptacle as shown in sketch B if a properly grounded outlet is not available.

The temporary adapter should be used only until a properly grounded outlet (sketch A) can be installed by a qualified electrician.

The green colored rigid ear, lug, or the like extending from the adapter must be connected to a permanent ground such as a properly grounded outlet box cover. Whenever the adapter is used, it must be held in place by the screw.

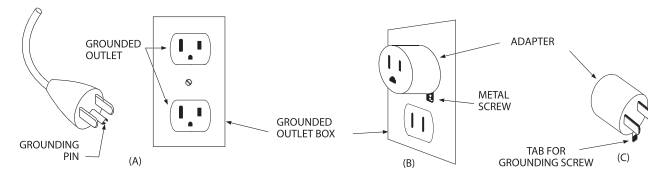
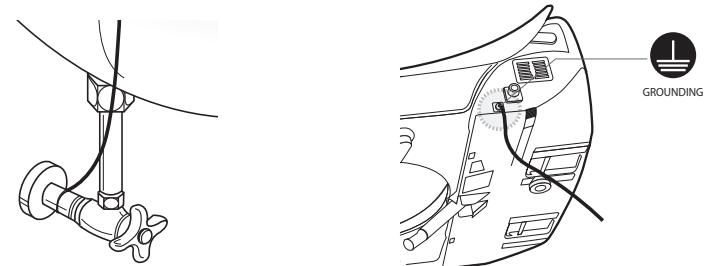


Figure 1.

Optional Grounding Instructions



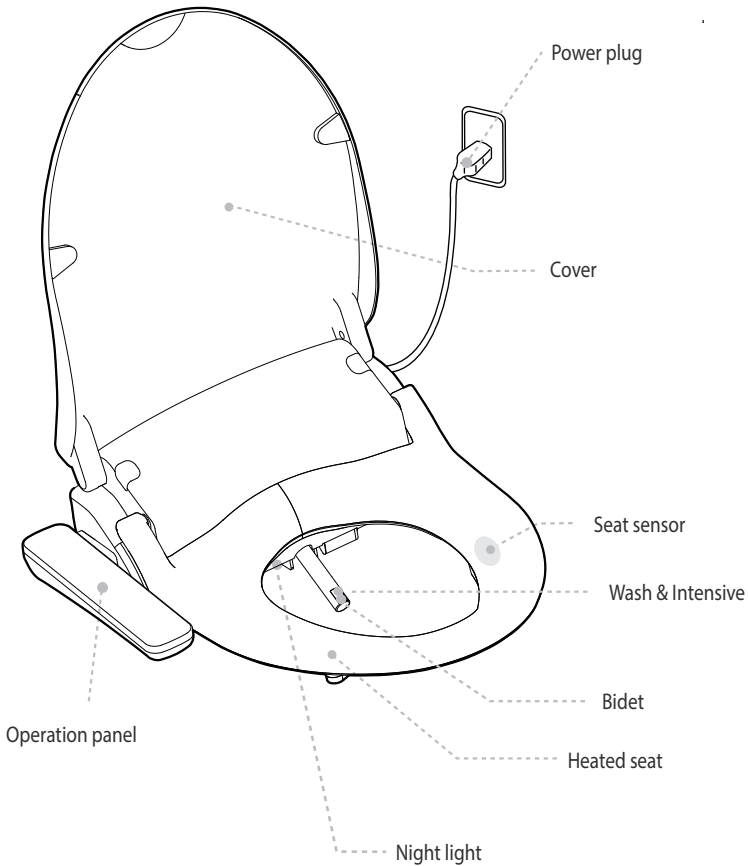
Thank you for purchasing the unit.
 This unit should be installed according to this manual.
 Read this manual carefully and install properly.
 Do not attempt to service this unit yourself. Doing so could void warranty.



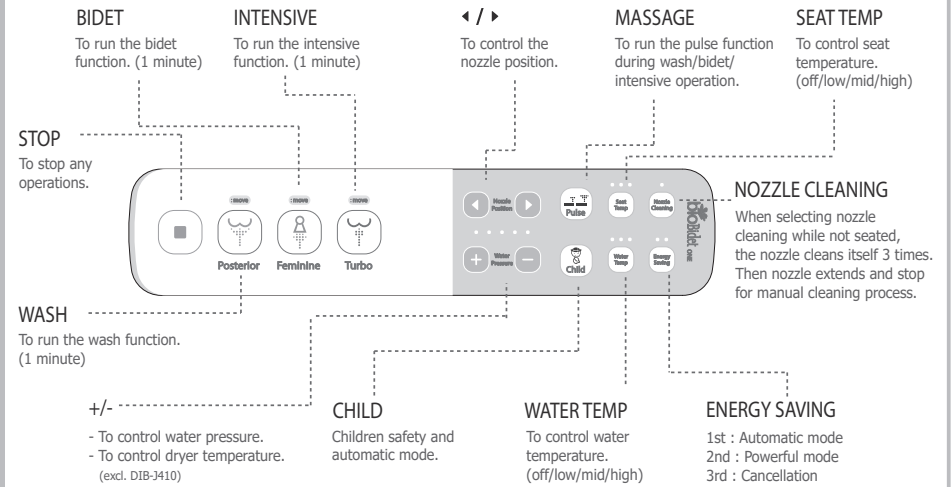
2

Parts & Configuration

Main Body



Operation panel



Accessories



Top fix metal bolt



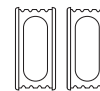
Top fix rubber nut



Washer



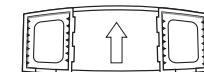
T-Valve



Bracket Holder



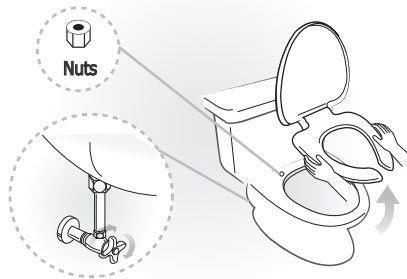
Water supply hose



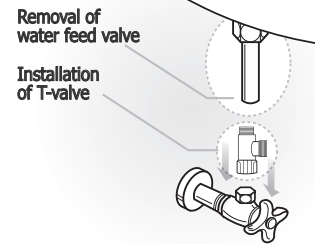
Catch plate

1 Remove the seat from the existing toilet body.

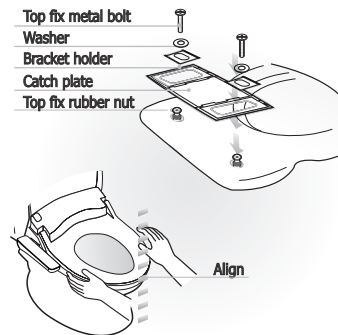
- ▶ Release the nuts, and then remove the seat and cover from it.
- ▶ Keep the removed seat, cover and nuts well in a proper place in case of using them again.



2 Remove the water feed pipe and then install T-valve.

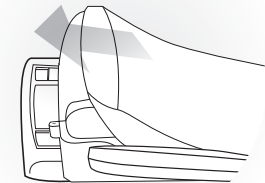


3 Fix the bracket onto the toilet first.



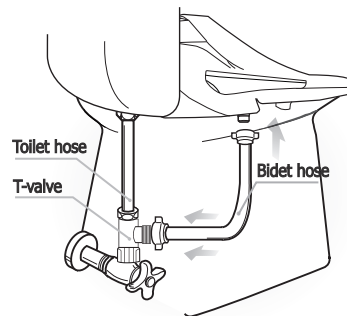
- ▶ Adjust the seat and the front part of toilet back and forth so that they can correspond with before fastening the nuts.

4 Push the main body toward the bracket completely.

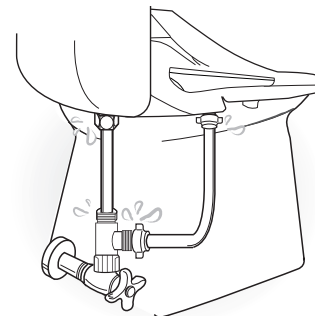


- ▶ Push it in until it sounds 'click'
- ▶ When the product is not installed well, it may cause leakage.

5 After installing the filter onto the T-valve, connect the bidet-use hose to the bidet body.



6 Be sure of no leakage around the hose connection.



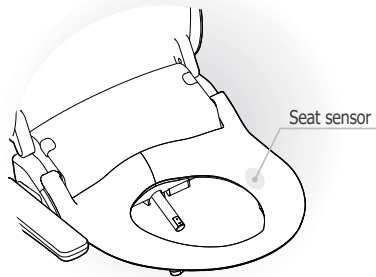
7 Be sure that the nozzle comes out and retracts when powered on.

- ▶ Don't plug the power cord with wet hands. Risk of electric shock.



1 Sit on the toilet seat

- ▶ Be sure to sit on the seat sensor. Basically if the sensor is not occupied, all functions will not operate.



5 Nozzle Position Control

- ▶ Nozzle position is adjustable. (5 levels)



2 Posterior, Feminine, Turbo

- ▶ Selected function can be used as described.
- ▶ When pressing the selected function again, nozzle will move back and forth to wash a wider range.
- ▶ Press the button once again to stop Massage function.
- ▶ bid's specialized water spray in Turbo function helps relieve constipation and fecal stasis.



6 Water Pressure Control

- ▶ Water pressure is adjustable. (5 levels)
- ▶ If the water or screen filters become blocked, it may cause low water pressure. Regularly check the water and screen filters.



3 Pulse

- ▶ When pressing the Pulse button during the operation of Posterior, Feminine, and Turbo, water pressure will repeat high and low for smooth pulsating wash.
- ▶ Pulse function will not operate during the operation of Sitz bath.



7 Stop

- ▶ All operations will stop.
- ▶ When pressing the Stop button for 3 seconds, unit will turn off.
- ▶ Press any of Stop, Wash, Bidet or Intensive to turn on.



4 Child Function

- ▶ When selecting Child function, settings* will be adjusted for children.
- ▶ 1 min Bidet - 30 sec Bidet Oscillating - 30 sec Bidet Pulse - 2 min Dry work consecutively.

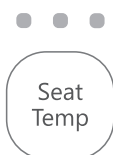
* Settings

- Extra extended nozzle position
- Lower water pressure
- Lower seat temperature
- Lower water temperature

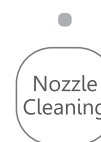


9 Seat Temperature Control

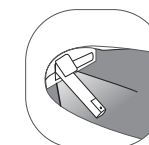
- ▶ Seat temperature is adjustable. (4 levels) (Off - Low - Middle - High)
- ▶ To reduce the chance of low temperature burns, the seat has a seat heater auto adjustment function which turns to low temperature (35°C, 95°F) when seat is occupied for more than 15 minutes consecutively.
- ▶ If the seat is set lower than middle level, the seat will remain at off or low level.

**10 Energy Saving Function**

- ▶ Automatic energy saving mode
 - This mode will be activated by pressing the Energy Saving button until yellow LED lamp lights on. (Seat and water temperature will be kept at 32°C)
- ▶ Powerful energy saving mode
 - This mode will be activated by pressing the Energy Saving button until green LED lamp lights on. (Seat and water heater will be kept off)
- ▶ Release of energy saving mode
 - Press the Energy Saving button until LED lamp turns off.
- ▶ When the unit is occupied, it adjusts to the preset temperature and it returns to the saving mode when seat is unoccupied.
- ▶ If the seat and water temperature are off, they will remain off.

**12 Night Light**

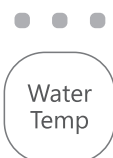
- ▶ Blue LED night light provides enough brightness to see the toilet without turning on the bathroom light.
- ▶ Night light can be turned on and off by pressing '+' for 3 seconds while not seated.
- ▶ Night light setting cannot be adjustable if seat sensor release feature is activated.



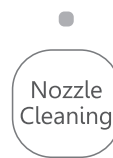
More than 3 Seconds

**13 Water Temperature Control**

- ▶ Water temperature is adjustable. (4 levels) (Off - Low - Middle - High)

**14 Sitz Bath**

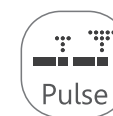
- ▶ Wash or Bidet is switched to Wash Sitz Bath or Bidet Sitz Bath if Nozzle Cleaning button is selected during Wash or Bidet operation.
- ▶ Water pressure is switched to 1st level regardless preset water pressure setting and Sitz Bath operates for 5 minutes.
- ▶ LED of Nozzle Cleaning turns on during the operation of Sitz Bath.
- ▶ Select the Nozzle Cleaning again to switch to normal Wash or Bidet.

**15 Seat Sensor Release**

- ▶ The seat sensor can be activated and deactivated by pressing Pulse button for 3 seconds.
- ▶ If the seat sensor is deactivated, the unit works without occupying the seat and features* cannot be controlled.

*** Features**


Night light, Silence mode, Automatic start deodorizing, Factory initialization, Power off, Nozzle cleaning.



Settings

7

● : Seat sensor 'off' status ○ : Seat sensor 'on' status ● : Regardless of on/off

No	Function	Seat status	Switch operation	Description	Initial status
1	Silence mode	●	" - " for longer than 3 seconds.	To turn on/off the operating chime sound.	ON
2	Power off	●	" ⊞ " for longer than 3 seconds.	Press one of Stop, Wash, Bidet, Intensive or Dry to power on.	
3	Seat sensor release	●	"  " for longer than 3 seconds.	Seat sensor feature will be deactivated.	OFF
4	Night light	●	" + " for longer than 3 seconds.	To on/off the night light.	ON

* The unit will work without sitting on the seat if the occupied seat sensor is deactivated. (turned off)

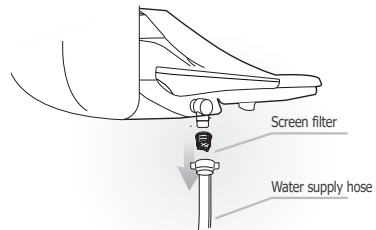
* If the seat sensor is deactivated, some features cannot be controlled.
 (Power off, night light on/off, silence model on/off, and nozzle cleaning)

6

Maintenance & Cleaning

Screen Filter Cleaning

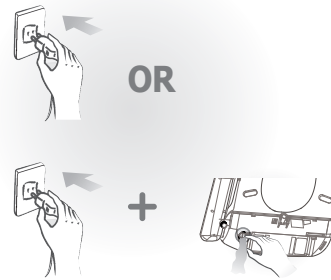
- 1 Close the water feed valve.
- 2 Disconnect the water supply hose. Take the screen filter out and clean it with a soft brush.
- 3 Return the filter after cleaning and reconnect the water supply hose.
- 4 Open the water feed valve.



Maintenance during Winter Season

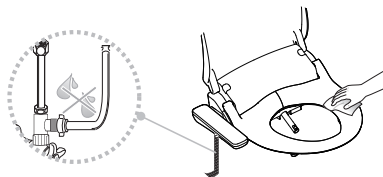
When bidet seat is not used for an extended period of time, either;

Leave unit plugged in and turned on
OR
 Unplugged and drain the unit.



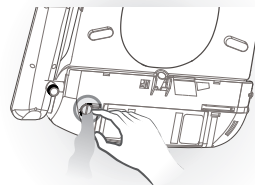
Cleaning of Unit Body

- 1 Exterior surface of unit is made of plastic material, which may be damaged by scrubber, chemicals, etc.
- 2 Wipe the surface with a soft damp cloth. Do not spray water directly onto the surface.
- 3 Clean the body after removing the power plug from the outlet. Be sure no water splashes into the power plug or outlet.
- 4 Be careful of not dropping any chemical detergents of toilet cleaner on the water supply hose. Risk of the hose damage.



Draining of Remaining Water

- 1 Remove the power plug from the outlet.
- 2 Close the water feed valve.
- 3 Press the lever plate and gently pull to remove the unit from the catch plate.
- 4 Use a coin to open the drain plug.



8

Troubleshooting

※ Please check the following points before requesting the repair service.

Problem	Check list
Completely out of order	<ul style="list-style-type: none"> • Check if the power plug is not connected. • Check the power failure.
Water does not spray out	<ul style="list-style-type: none"> • Check if the water supply is suspended. • Check if water feed valve is locked. • Check if nozzle is blocked by foreign material. • Check if connection hose is bent.
Water pressure is low	<ul style="list-style-type: none"> • Check if screen filter is blocked by foreign material. • Check if the water pressure is set at too low level.
Water is not warm enough	<ul style="list-style-type: none"> • Check if its temperature is set at off or low level.
Seat is not warm enough	<ul style="list-style-type: none"> • Check if its temperature is set at off or low level.

Self-Diagnosis Table

※ Please refer to the following table and inform the exact status when requesting repair service.

No	Self Diagnosis	Indication
1	Water temp sensor is disconnected or not inserted	LEDs of water low + middle level blinking
2	Water temp sensor is short-circuited or overheated	LEDs of water high + middle level blinking
3	Seat temp sensor is disconnected or not inserted	LED of water low level blinking
4	Seat temp sensor is short-circuited or overheated	LED of water high level blinking

9

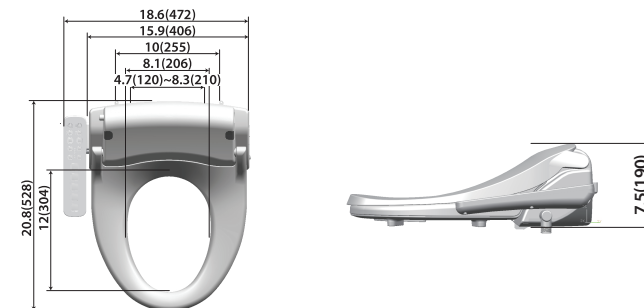
Comparison Chart

	Features	SLIM One
Wash / Dry features	Wash	●
	Bidet	●
	Intensive	●
	Child	●
Convenient / Comfortable features	Normal / Powerful energy saving	●
	Oscillating / Pulsating	●
	Continuous heated water	●
	Heated seat	●
	Soft closing	●
	One touch release	●
	Night light	●
	Nozzle cleaning	●
	Seat sensor overriding	●
Safety features	Low burn protection	●

■ Dimensions

inch(mm)

< Elongated type >



Specifications

Item		SLIM One	
Rated voltage		120V, 60Hz	
Max. Power consumption		870W	
Power cord length		1.2m	
Water feed method		Directly connected to water pipe	
Recommended Inlet water pressure		99~106.6psi	
Wash	Feed Volume	Wash	0.13~0.21gal/min
		Bidet	0.13~0.18gal/min
		Intensive	0.13~0.18gal/min
		Child	0.13~0.16gal/min
	Pressure control		5 levels
	Temperature control		4 levels (off-low-middle-high)
	Heater capacity		800W
	Safety device		Water level sensor, Thermal fuse, Bi-metal, Temperature sensor
Heated seat	Temperature control		4 levels (off-low-middle-high)
	Heater capacity		55W
	Safety device		Thermal fuse
Deodorization		Catalytic deodorization - -	
Feed water temp. tolerance range		37 ~ 95°F (recommended 54 ~ 95°F)	
Usage room temp. tolerance range		37 ~ 104°F (recommended 50 ~ 95°F)	
Dimension	Elongated	18.6"(472) x 20.8"(528) x 7.5"(190)	
Weight Net weight (Gross weight)	Elongated	10.4 lb (15.2)	

- WARRANTY -

1. We hereby guarantee the product as follow in accordance with the regulation of consumer damage compensation.
2. In case of failure of the product, please inform the distributor where you purchased the product.
3. Product Warranty will be effective for one year from date of purchase.

Customer name		Warranty Period
Model Name		One (1) year since the date purchased
Date Purchased		
SER.No.		
Customer's Address		Name
		Tel.No
Distributor's Address		Name
		Tel.No.

Regarding Product Warranty Regulation...

1. We will repair the product at free of charge in case it was failed under the normal operating condition in accordance with the user's guide during the warranty period.
2. Although it is within the warranty period, we will charge the repair service fee etc. (repair + product + travel expense) if it falls under the following cases.

Voiding warranty

1. Defects occurred from the user's careless handling
2. Defects occurred from the usage with incorrect power voltage (E.g., 220V was used to the 110V product.)
3. Defects occurred from the improper repair done by the person other than our service engineer.
4. Defects occurred from Force Majeure (fire, salt, flood, etc.)
5. Failure or damage due to the drop, etc. (user's mis-handling) during the operation after installed
6. Defect occurred from the interior modification at user's discretion
7. In case the life cycle of the part expired

Mail, email or fax the warranty form to:

YOUR LOCAL DEALER FIRST where you bought this appliance

If your dealer is unable to assist you

BBC Innovation Corp.

7900 S ILL Route 31 T) 847.458.2334
 Crystal Lake IL 60014 F) 847.854.1296
 www.biobidet.com