

BIO BIDET BBC-270



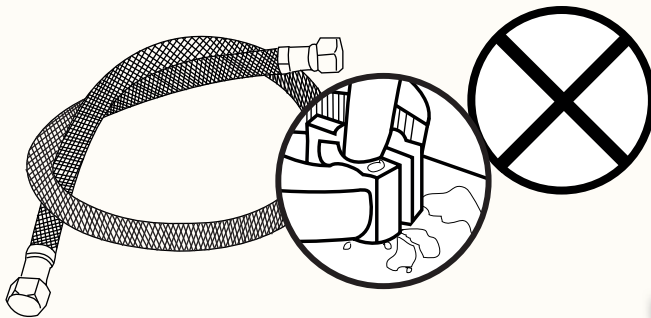
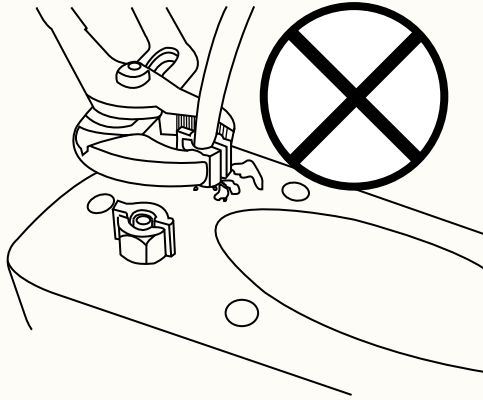
Installation
Manual &
Operating
Instructions

WARNING

Do Not over-tighten plumbing connections.

Over-tightening plumbing connections can damage parts and cause leaks.

Both Hot & Cold must be connected



CONTENTS

Functions and Characteristics	4
Parts list	5
Configuration	6
Final Assembly	7
Installation Instruction	8
Maintenance	10
Warranty	12
Contact	

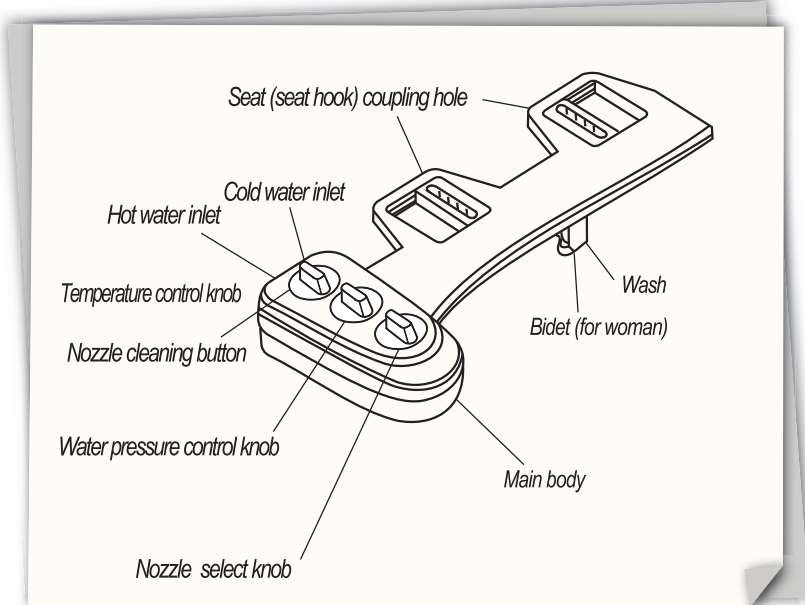
••••• ➤ Read this manual carefully
and install properly

••••• ➤ This product should be installed
accordingly to the manual

••••• ➤ Keep this manual for future reference

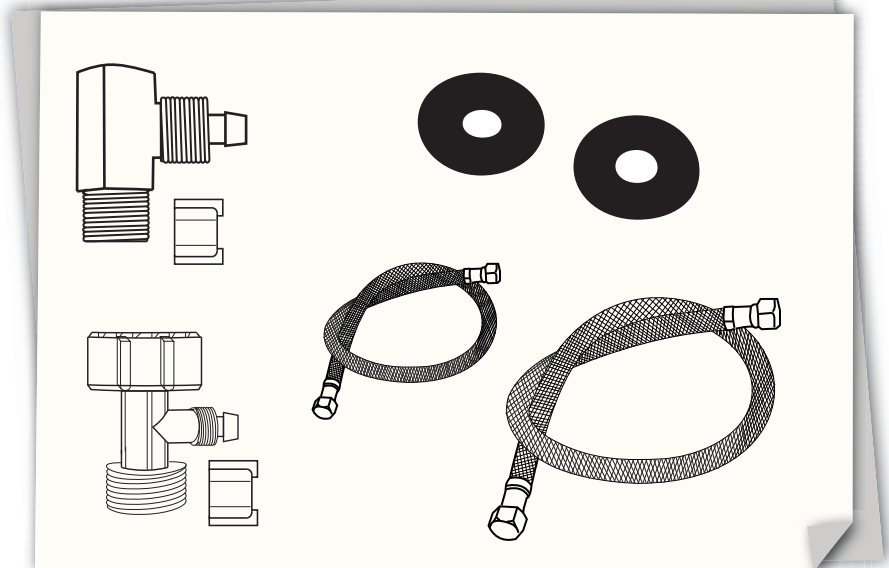
Functions and Characteristics

- Ambient Temperature bidet model
- Ingenious splash guard
- Continuous Controlled Water Stream
- No electricity or battery required
- Connects directly to fresh water line
- Built-in Cold water by- pass
- Adjustable Pressure Control
- Quality silver brass parts
- Brass T valve
- Removable nozzle for better hygiene
- Splash Guarded Nozzle
- P.S.P.C (Positive Stepping Pressure Control)
- Double sided body panel

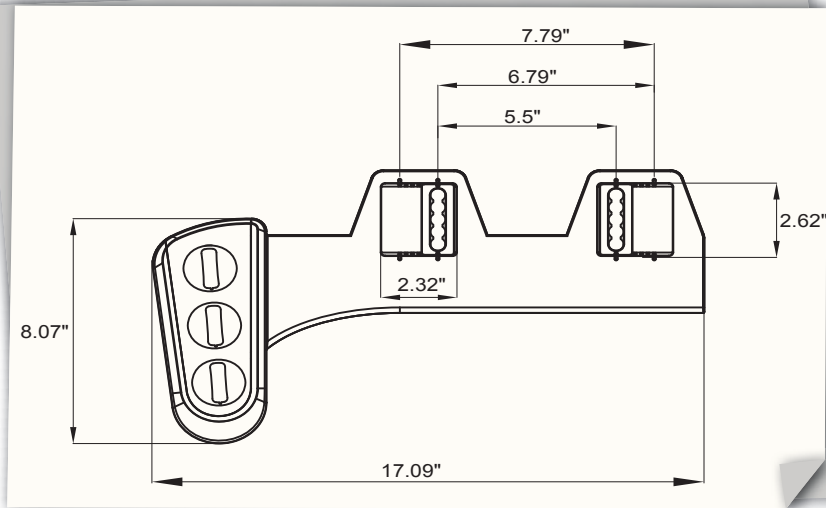


Parts List

Name	Quantity
3/8" T Valve - Hot	1
7/8" T Valve - Cold	1
Hot water hose	1
Cold water hose	1
Owner's Manual	1
Protective O rings	2



Configuration

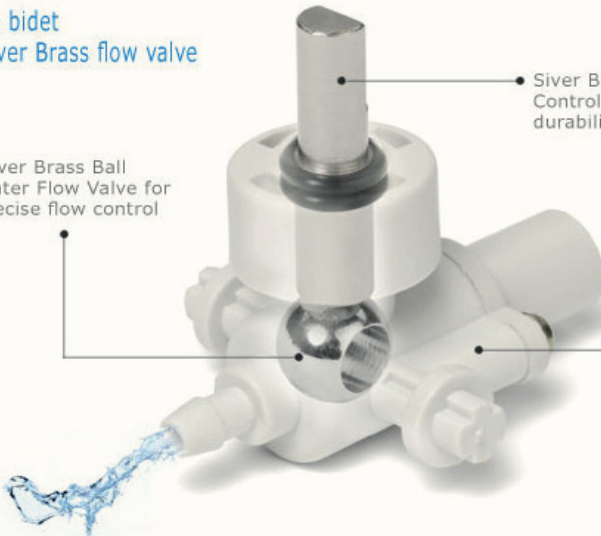


bio bidet Silver Brass flow valve

Silver Brass Ball
Water Flow Valve for
precise flow control

Silver Brass Pressure
Control Stem for maximum
durability

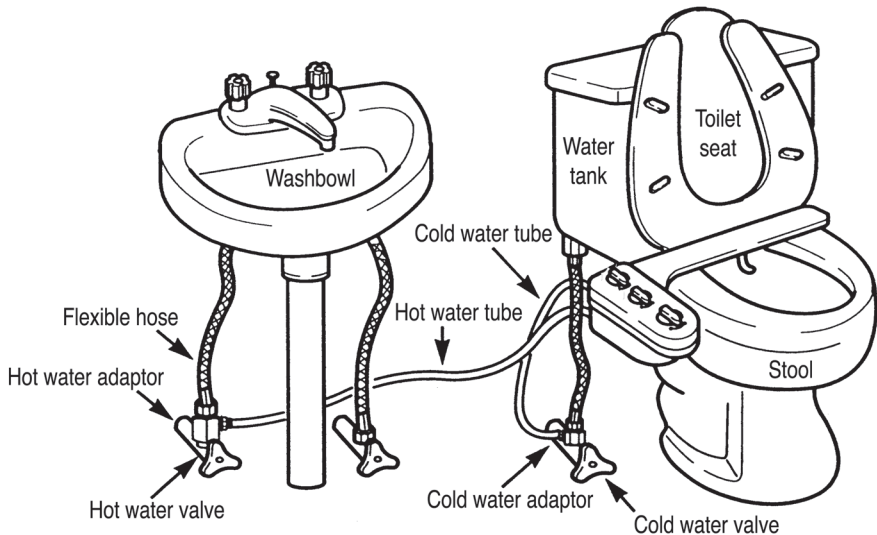
Quality ABS Resin



COPY RIGHT® BIO BIDET

Your BBC-270 comes included with a 78" metal water supply hose to connect your bidet to your hot water supply valve.

If this is not long enough to cover the distance from your toilet to your hot water supply line, additional 78" extension kits can be purchased by contacting our sales office at 847.458.2334.



Installation Instruction

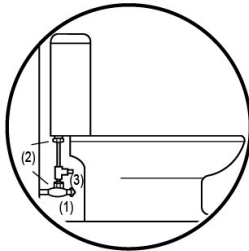
1. CAUTION

Do Not over tighten any connections. Over tightening connections and adaptor can cause damage to the parts.

DO NOT OVER TIGHTEN CONNECTIONS.

2. PROCEDURES FOR ASSEMBLY

1



Shut water supply by turning it to the right and disassemble the water hose.

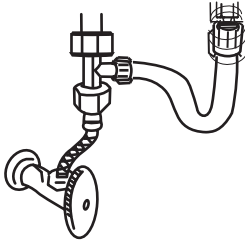
Flush toilet to drain water inside of toilet water tank before disassembling the water hose.

2



Remove existing seat and lid. Release the bolts on both sides of the existing toilet seat.

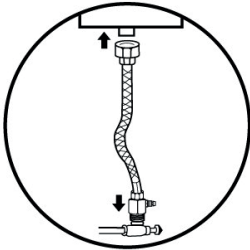
3



COLD WATER :

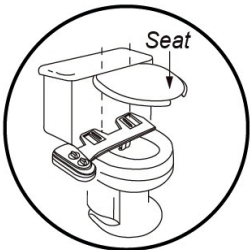
Connect supplied T valve to the toilet fill valve. Connect water line to remaining open side of the installed 7/8" T valve.

4



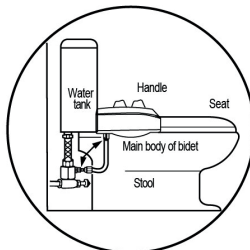
Locate the hot water supply line in your bathroom under your sink and install supplied 3/8" T. Connect supplied hot water supply hose to remaining open side of the installed 3/8" T valve.

5



Mount bidet and toilet seat/lid over toilet mounting holes. Supplied rubber O-rings should be placed under the bidet mounting bracket to protect and secure bidet on the toilet.

6



Connect water supply hose.

Maintenance

To clean the nozzle, gently pull down on the head of the nozzle, and use a toothbrush or soft cloth and mild detergent to clean the nozzle. You may also remove the entire nozzle assembly and soak it into mild detergent.

Do not use any harsh, abrasive products to clean unit, which may damage the surface of the product.



5. Any and all damages to plumbing, walls, floors, ceiling and personal properties resulting water leaks or breakage. The product must be used at the user's own risk. Therefore, the owner hereby releases the manufacturer and distributor from any and all claims for damages where the above condition exists.

No implied warranty, including any implied warranty of merchantability or fitness or a particular purpose, applies to BBC innovation bidet after the applicable period of the express limited warranty stated above, and no other express warranty or guaranty, except as mentioned above, given by any person or entity with respect to Bio-Bidet shall bind BBC innovation,(Some States and provinces do not allow limitations on how long an implied warranty, so the above limitation may not apply to you) BBC innovation shall not be liable of revenues or profits, inconvenience, expense for substitute equipment or service, or any other special, incidental or consequential damages caused by the use or misuse of, or inability to use, Bio-Bidet, regard-less of the possibility and foresee-ability of such damages. In no event shall recovery of any kind against BBC innovation be greater in amount than the purchase price of the product and causing the alleged damage. Without limiting the foregoing, you assume all risk and liability for loss, damage or injury to you and your property and to others and their property arising out of use or misuse of ,or inability to use, the Bio-Bidet not caused directly by the negligence or BBC innovation This limited warranty shall not extend to anyone other than the original purchaser of the Bio-Bidet

Warranty

Your Bio-Bidet, when delivered to you in new condition in its original container,

Is warranted against defects in materials or workmanship for one (1) year from the date of original purchase .Defective parts or a defective product returned to BBC innovation will be repaired with new or comparable rebuilt parts or exchanged for a Refurbished Bio-Bidet as determined by BBC innovation in their sole discretion

This limited warranty given by BBC innovation covers all defects encountered in normal use of Bio-Bidet, and do not apply in the following cases:

1. Loss of or damage to Bio-Bidet due to abuse, misuse, tampering, mishandling, improper packaging by you, alteration and fallow operating instructions.
2. Use of parts or supplies (other than those by BBC innovation's dealers) that cause damage to Bo-Bidet.
3. Replacement of discolored or stained parts caused by chlorine, bleach, ammonia and other chemicals, cleaning supplies, oxidation, normal wear and tear.
4. Damage to or malfunction of the unit as a result of improper and negligent installation.

Thank You

Technical support / Customer Service

BBC Innovation Corp
204 Berg ST Algonquin, IL 60102

T : 847.458.2334
U.S Toll Free : 877.339.5214

support@biobidet.com
www.biobidet.com