

BIG ASS FANS[®] TURBO6

Installation Guide

Guide d'installation

Guía de instalación

bigassfans.com



CONTENTS

Before You Start	1
Parts and Hardware.....	3
Fan Installation.....	4
Troubleshooting	18
Maintenance.....	20
Contact Us	21



Rev. B
07/25/2024

READ AND SAVE THESE INSTRUCTIONS

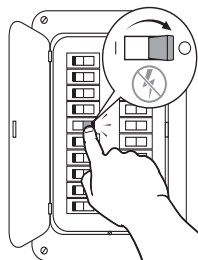


BEFORE YOU START

☑ Turn off Power at Breaker

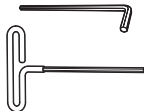
Input Voltage: 100–277 VAC, 1 Φ , 50/60 Hz

Do not connect the fan to a damaged power source. Do not attempt to resolve electrical failures on your own. Contact a licensed electrician if you are uncomfortable performing electrical work. A licensed electrician must install the fan if required by local code.



⚠ **Do not use the fan with a dimmer switch or a third-party switch.**

☑ Gather Tools



Provided with fan

☑ Prepare Fan Site and Gather Hardware

Outlet Box: Make sure your outlet box is suitable for fan support. If there is not an outlet box at the fan location, install one on a ceiling joist or beam. You will need to supply two 10-32 screws for attaching the fan mounting bracket to the outlet box.

Concrete Ceiling: You will need to supply three anchor bolts* for attaching the fan mounting bracket to the ceiling. If required by your local building and safety codes, you will also need to supply an anchor hook* for the safety cable. See page 2 for hardware specifications and installation details.

Wood Ceiling Joist: You will need to supply two corrosion-resistant 12-11 x 45 mm hex head timber screws with seal for attaching the fan mounting bracket directly to the joist. If required by local code, mount or embed an outlet box into the joist. The outlet box must be suitable for fan support.

Covered Outdoor Locations: Damp-rated fans installed in covered outdoor locations must have fixed/permanent full overhead coverage extending at least 2 ft (0.6 m) out from the airfoil tips on all sides. Damp-rated fans installed in covered outdoor locations can be mounted to flat ceilings only.

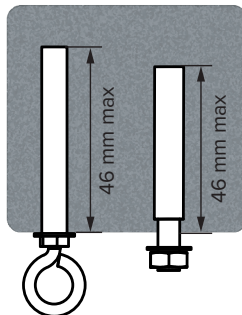
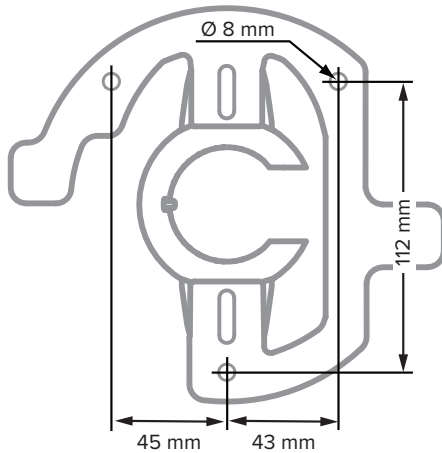
Models and Maximum Weight: MK-TRB1-052306: 24.5 lb (11.1 kg), MK-TRB1-062306: 26.4 lb (12 kg), MK-TRB1-072306: 28.2 lb (12.8 kg)

*If anchor bolts and anchor hook are included with your fan, use them for concrete mounting.

☑ Prepare Concrete Ceiling (if applicable)

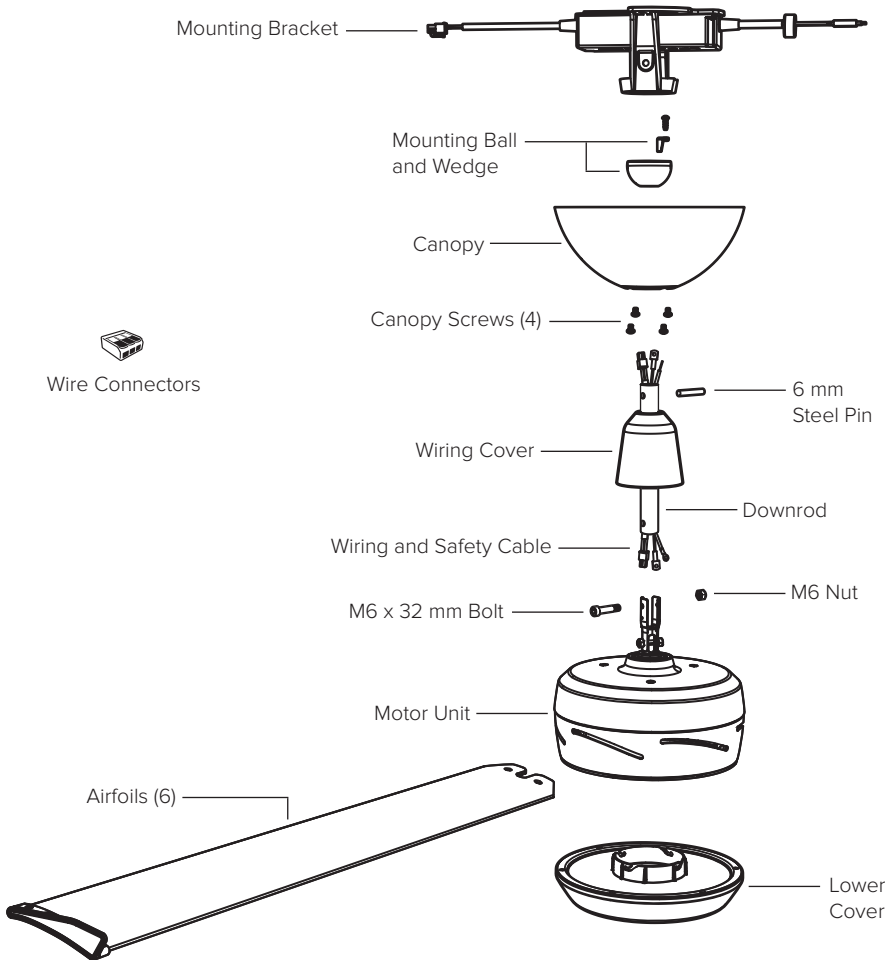
Drill three $\text{\O} 8$ mm holes in the pattern shown. The hole depth should not exceed 46 mm. Remove any dust from the holes. Insert three anchor bolts into the holes. Strike the heads of the anchor bolts with a hammer, ensuring the bolt sleeves are flush with the ceiling surface. Position the mounting bracket on the anchor bolts. Ensure all three anchor bolts are fully tightened to expand and lock the anchors.

If required by local building and safety codes, install an anchor hook for the safety cable. Drill an $\text{\O} 8$ mm hole for the anchor hook. The hole depth should not exceed 46 mm. Remove any dust from the hole, and then insert the anchor hook and fully tighten.



PARTS AND HARDWARE

If the EMI filter (not shown) is included, install it with your fan.

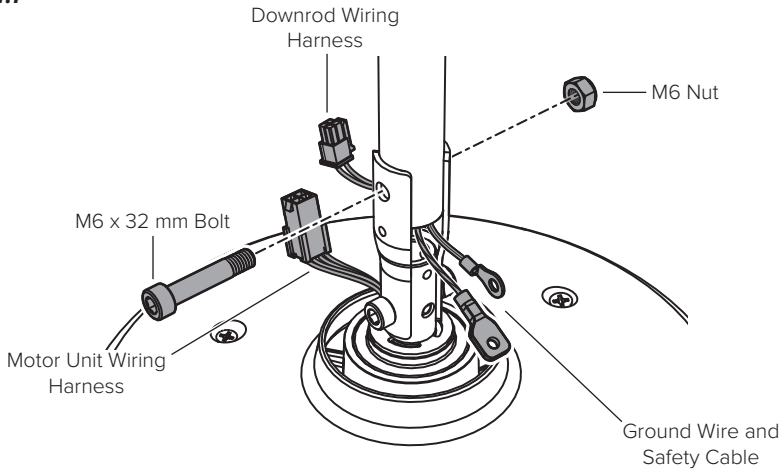


FAN INSTALLATION

1. Install downrod

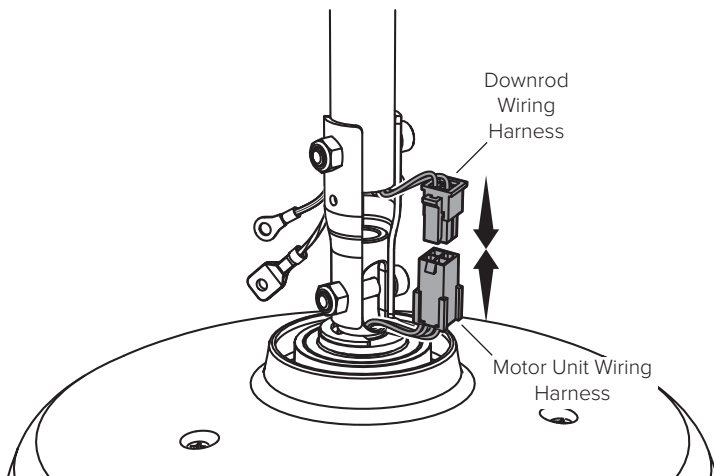
Align holes on downrod with holes on motor bracket. Position downrod wiring harness so that it is on the **same side** of the motor shaft as the motor unit wiring harness. Position ground wire and safety cable so that they are on the **opposite side** of the motor shaft as the motor unit wiring harness. Secure downrod with the M6 x 32 mm bolt and M6 nut (Fig. 1.1).

Fig. 1.1



Connect downrod wiring harness to motor unit wiring harness (Fig. 1.2).

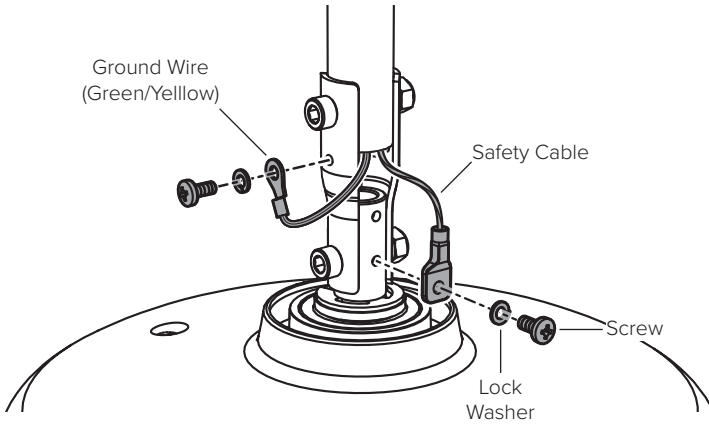
Fig. 1.2



2. Install lower safety cable and ground wire

Install safety cable and ground wire lugs with unpainted screws and lock washers (Fig. 2).

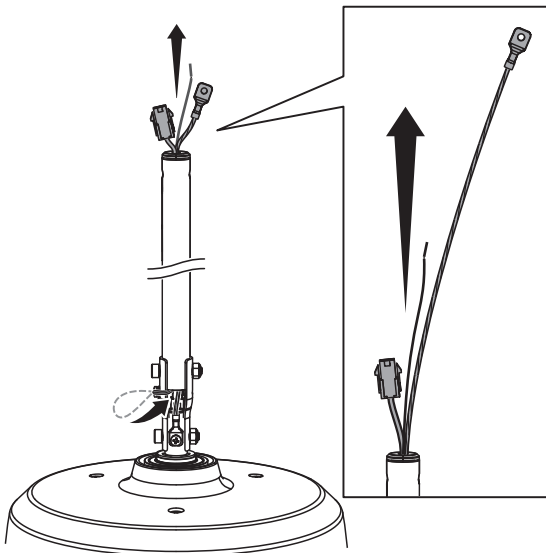
Fig. 2



3. Reduce slack

Make sure all hardware is secure, and then gently tug cables at top of downrod to reduce slack (Fig. 3). Make sure rubber plug at top of downrod stays in place.

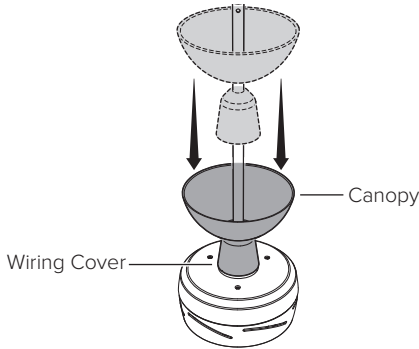
Fig. 3



4. Position wiring cover and canopy

Slide wiring cover down the downrod, resting it on the fan hub. Make sure no wires are visible between the cover and fan hub. Slide canopy down the downrod, resting it on the wiring cover (Fig. 4).

Fig. 4



5. Install mounting ball

Slide mounting ball over downrod (Fig. 5.1).

Insert 6 mm steel pin into hole at top of downrod, and then slide the mounting ball upward, seating the steel pin in the inner slots (Fig. 5.2).

Insert wedge into mounting ball and secure with screw. Tighten screw enough to prevent movement between the mounting ball and downrod, but do not over-tighten (Fig. 5.3). Make sure rubber plug at top of downrod is still in place.

Fig. 5.1

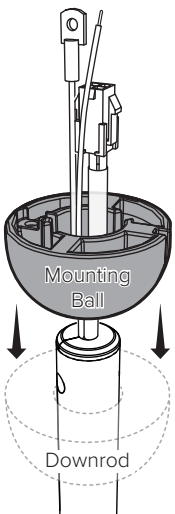


Fig. 5.2

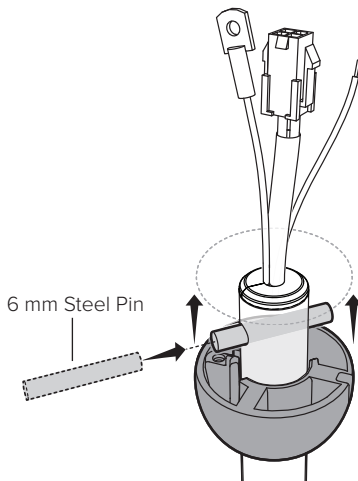
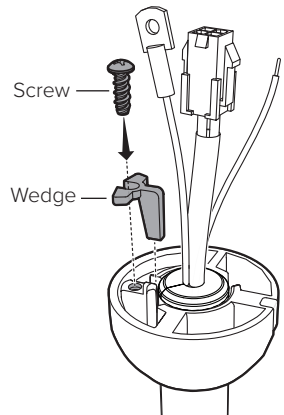


Fig. 5.3



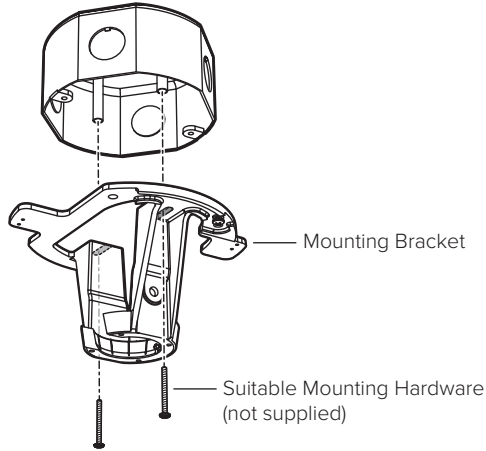
6. Install mounting bracket

⚠ Disconnect power to fan location before installing mounting bracket.

⚠ WARNING: Mount only to an outlet box marked acceptable for fan support.

Secure mounting bracket to mounting structure with suitable hardware (not supplied) (Fig. 6). **Outlet box shown. Your mounting structure may differ from the illustration. Power supply omitted from mounting bracket illustration for clarity.**

Fig. 6

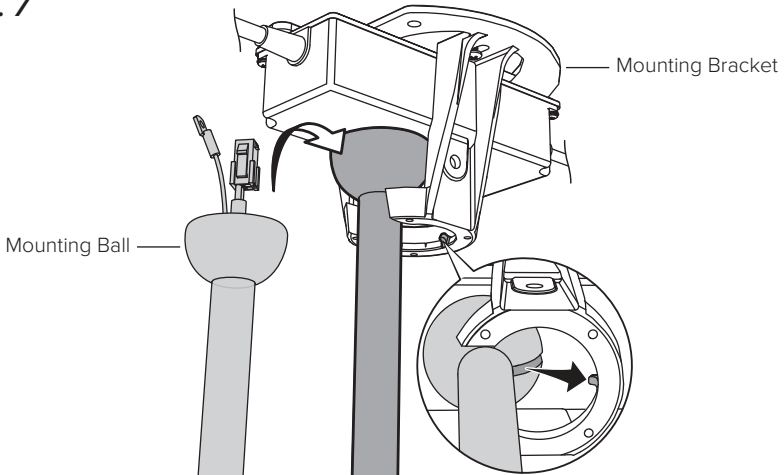


7. Hang fan

Raise fan to mounting bracket. Align rib in mounting bracket with slot in mounting ball, position mounting ball, and let fan hang freely (Fig. 7).

Gently twist downrod to ensure it is properly seated and will not move during fan operation.

Fig. 7



8a. Wire fan (no EMI filter)

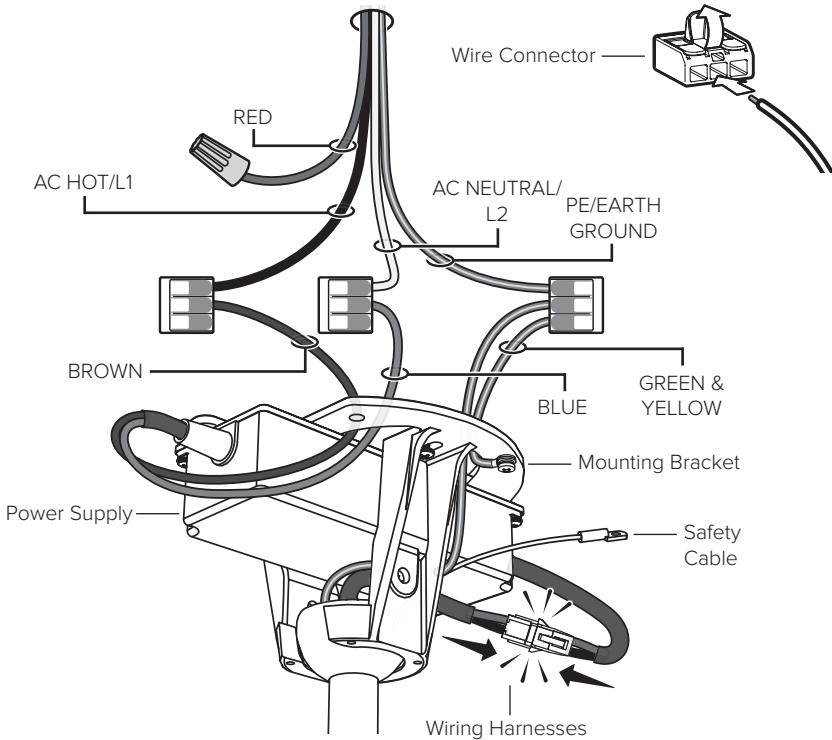
⚠️ Disconnect power to fan location before wiring fan.

⚠️ Do not use the fan with a dimmer switch or a third-party switch.

Wire fan as shown using the wire connectors (*Fig. 8a*). Attach green and yellow ground wire to mounting bracket with the unpainted screw. Connect wiring harness from power supply to wiring harness from downrod, making sure that the wiring and safety cable are routed in the same direction.

Carefully tuck wiring into outlet box or building structure. Ensure wire connectors are turned upward and that wires are spread apart with grounded conductors on one side of the outlet box/mounting structure and ungrounded conductors on the other side.

Fig. 8a



Supply Power Wire Color Chart

	North America 100–120 V	Australia	All other regions
AC Hot/L1 Brown	Black	Brown or Red	Brown
AC Neutral/L2 Blue	White	Black or Light Blue	Blue
PE/Earth Ground Green with Yellow	Green or Bare Copper	Green with Yellow	Green with Yellow

8b. Wire fan (with EMI filter)

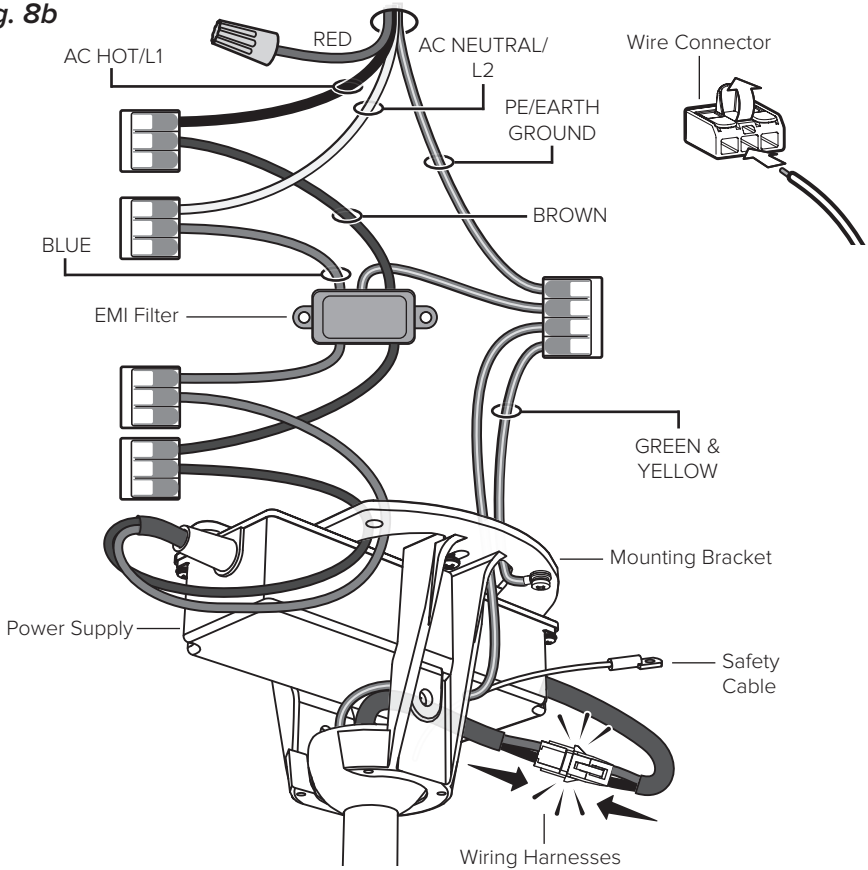
⚠️ Disconnect power to fan location before wiring fan.

⚠️ Do not use the fan with a dimmer switch or a third-party switch.

Wire fan as shown using the wire connectors (Fig. 8b). Attach green and yellow ground wire to mounting bracket with the unpainted screw. Connect wiring harness from power supply to wiring harness from downrod, making sure that the wiring and safety cable are routed in the same direction.

Carefully tuck wiring into outlet box or building structure. Ensure wire connectors are turned upward and that wires are spread apart with grounded conductors on one side of the outlet box/mounting structure and ungrounded conductors on the other side.

Fig. 8b



Supply Power Wire Color Chart

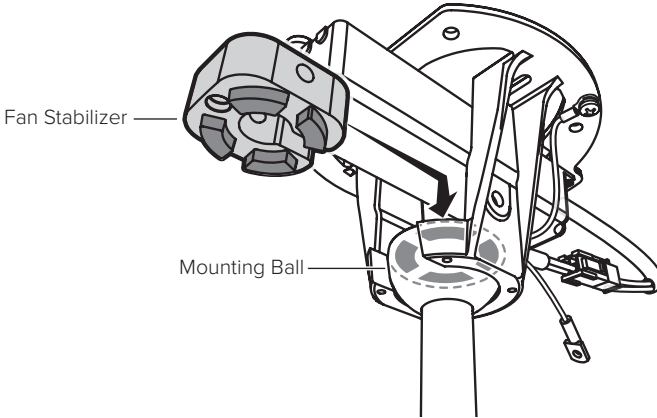
	North America 100–120 V	Australia	All other regions
AC Hot/L1 Brown	Black	Brown or Red	Brown
AC Neutral/L2 Blue	White	Black or Light Blue	Blue
PE/Earth Ground Green with Yellow	Green or Bare Copper	Green with Yellow	Green with Yellow

9. Install fan stabilizer (optional, outdoor fans only)

The fan stabilizer is included only if purchased as an outdoor fan accessory. Install stabilizer in covered outdoor locations on flat ceilings only.

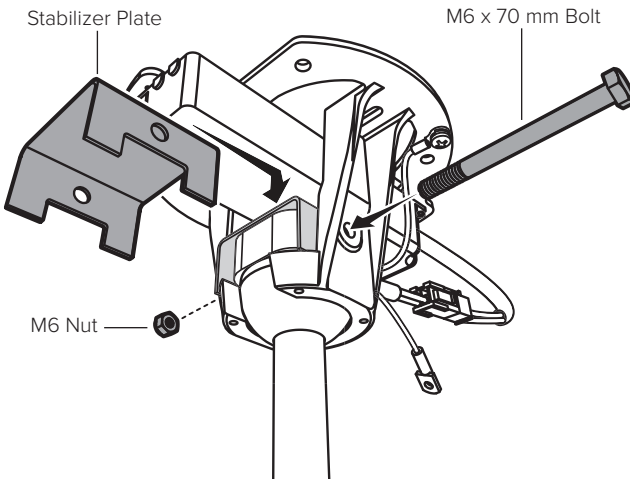
If you purchased the fan stabilizer kit, fit stabilizer into notches on top of mounting ball (Fig. 9.1).

Fig. 9.1



Secure stabilizer plate to stabilizer with the M6 x 70 mm bolt and M6 nut (Fig. 9.2).

Fig. 9.2



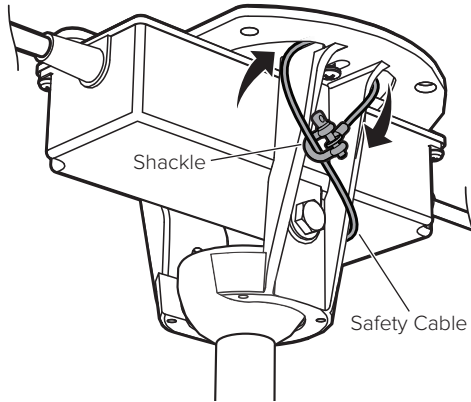
10. Secure safety cable

Some local safety codes require the safety cable to be secured directly to an existing part of the building structure (Canada, Singapore). It may be necessary to install additional structural material to provide attachment points. Check your local safety code if you are unsure.

Mounting Bracket

Loop safety cable around mounting bracket, and then secure it with the shackle (Fig. 10.1).

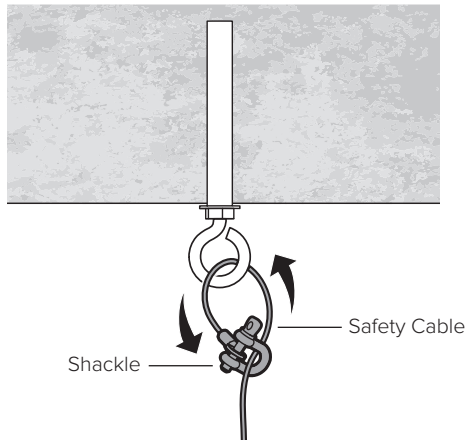
Fig. 10.1



Anchor Hook

Loop safety cable around anchor hook, and then secure it with the shackle (Fig. 10.2).

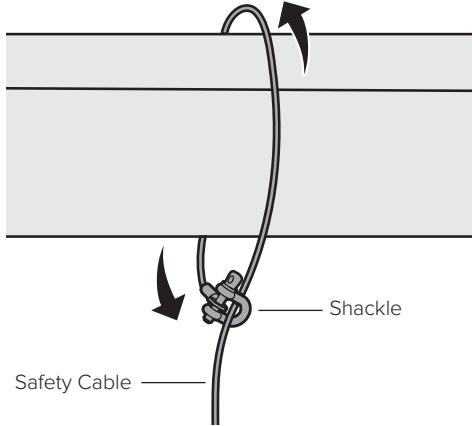
Fig. 10.2



Building Structure

Loop safety cable around building structure, and then secure it with the shackle (*Fig. 10.3*). Acceptable building structures include a wooden beam or a metal mounting brace secured between two beams. In some cases it may be necessary to install additional structural material to provide attachment points.

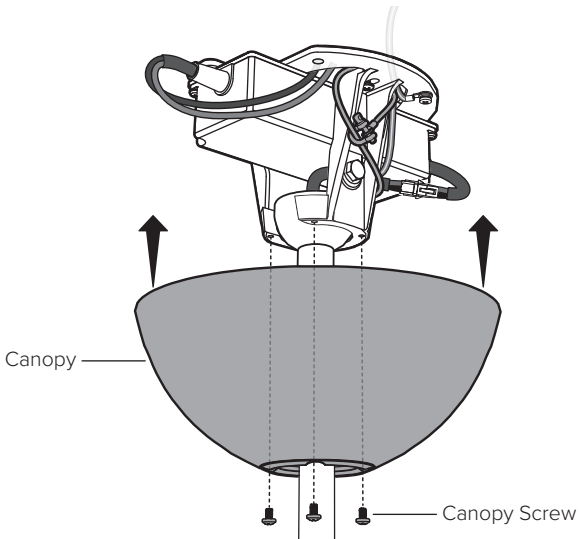
Fig. 10.3



11. Raise canopy

Raise canopy to mounting bracket, aligning the four holes on the canopy with the holes on the bracket. Secure canopy to mounting bracket with the painted screws (*Fig. 11*). Make sure all wires and the safety cable are tucked in the canopy.

Fig. 11



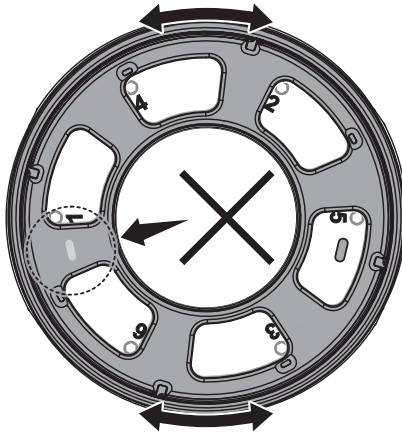
12. Install airfoils



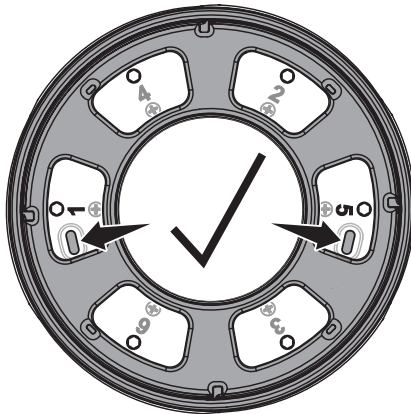
If installing multiple fans, do not mix airfoils from different motor units. Each set of airfoils must be installed on the motor unit the airfoils shipped with.

Before installing the airfoils, make sure the numbers 1 through 6 on the bottom of the fan are centered in the six openings, and make sure the two yellow tabs next to numbers 1 and 5 are visible (Fig. 12.1). You may need to push in the yellow tabs and rotate the fan hub until all six numbers are visible and centered.

Fig. 12.1



Incorrect Hub Alignment

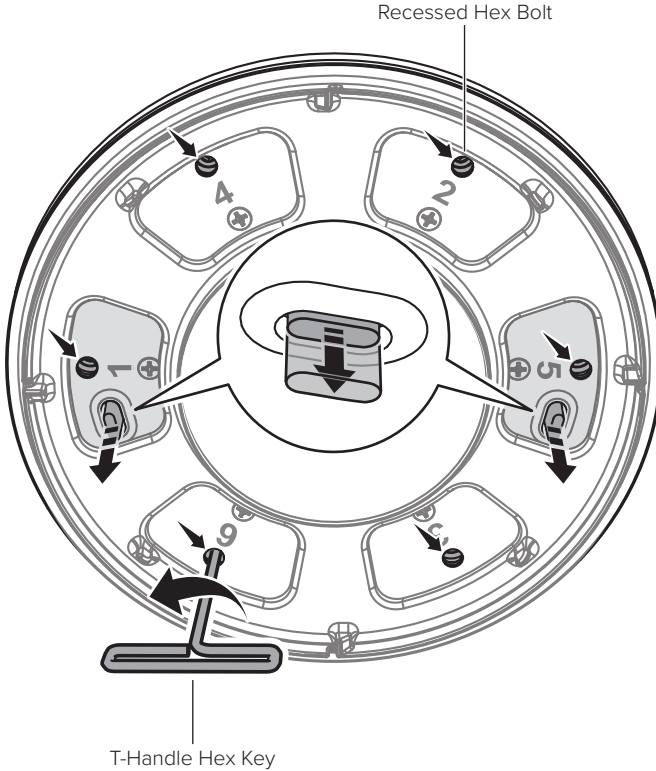


Correct Hub Alignment

Before installing the airfoils, use the provided T-handle hex key to loosen the **six recessed hex bolts above each number**. **Do NOT loosen the six Phillips head screws below each number**. Loosen all six recessed hex bolts until both yellow tabs have descended as far as they will go (*Fig. 12.2*). The airfoils cannot be inserted into the motor unit until all six hex bolts are fully loosened and both yellow tabs are all the way down.

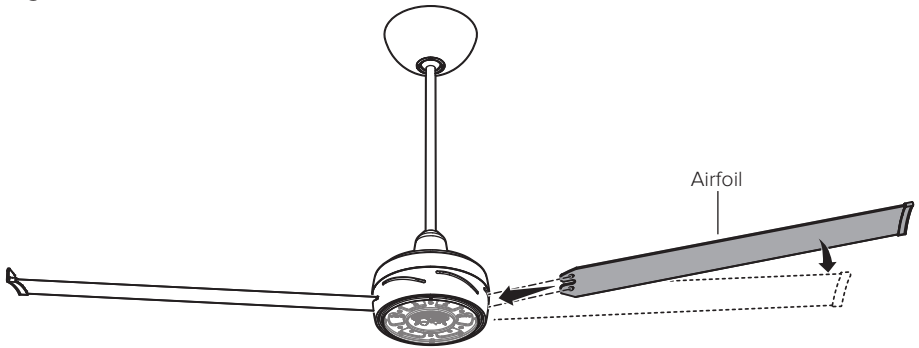
Fig. 12.2

Make sure both yellow tabs are all the way down.



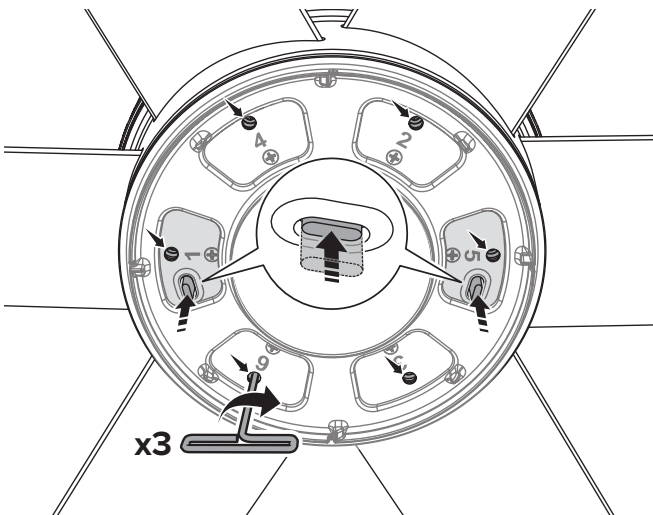
Slide the airfoils into the slots on the sides of the motor unit as shown (Fig. 12.3). Install each airfoil on the opposite side of the fan from the previous airfoil to prevent the fan from tilting. Make sure all airfoils are fully seated in the slots and that the numbered sticker on each airfoil matches the corresponding number on the bottom of the fan. **Do NOT tighten the six recessed hex bolts until all airfoils are inserted.**

Fig. 12.3



Use the provided T-handle hex key to tighten the **six recessed hex bolts above each number on the bottom of the fan according to the numbered sequence. Do NOT tighten or loosen the six Phillips head screws below each number.** Give each hex bolt three full turns with the hex key before moving to the next bolt in the sequence. Continue giving each hex bolt three turns in the numbered sequence until all six bolts are fully tightened and the yellow tabs next to numbers 1 and 5 are flush with the tab openings (Fig. 12.4).

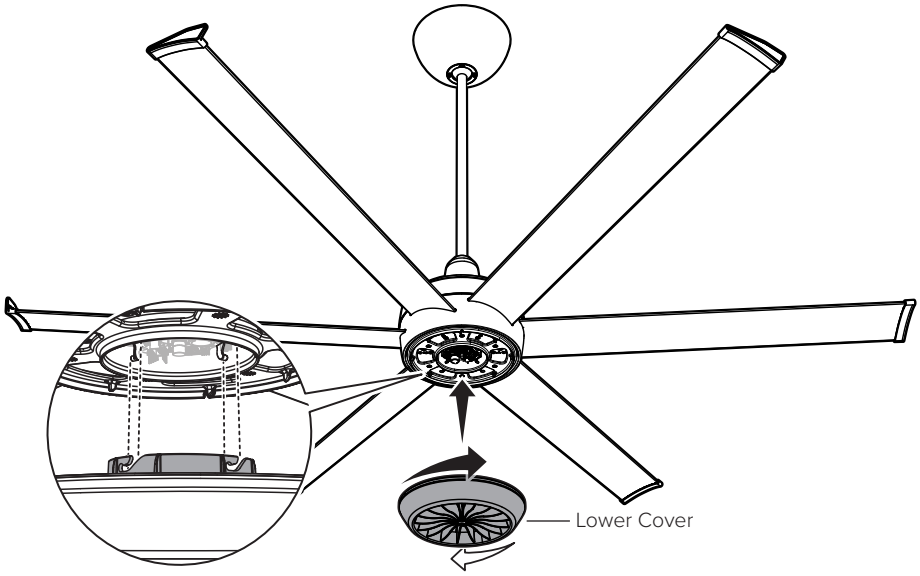
Fig. 12.4



13. Install lower cover

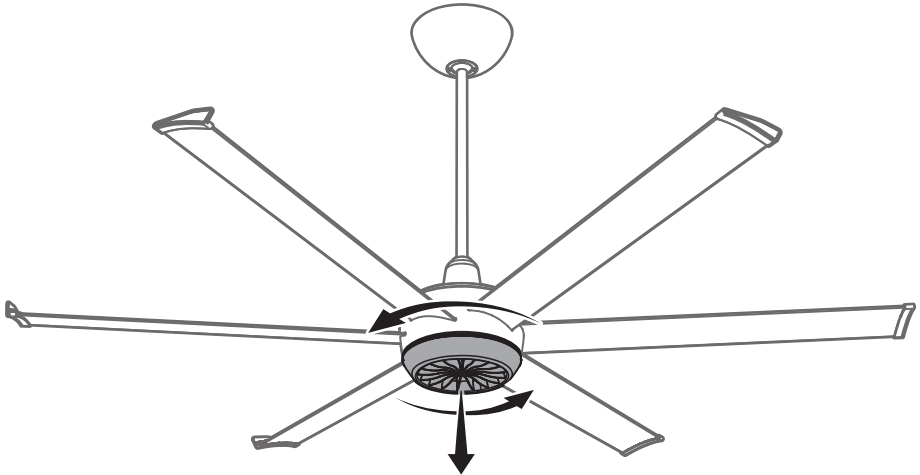
Align slots on lower cover with tabs on bottom of fan. Twist lower cover clockwise until you hear and feel it click into place (Fig. 13.1).

Fig. 13.1



If you need to remove the lower cover, twist cover counterclockwise and slide down (Fig. 13.2).

Fig. 13.2

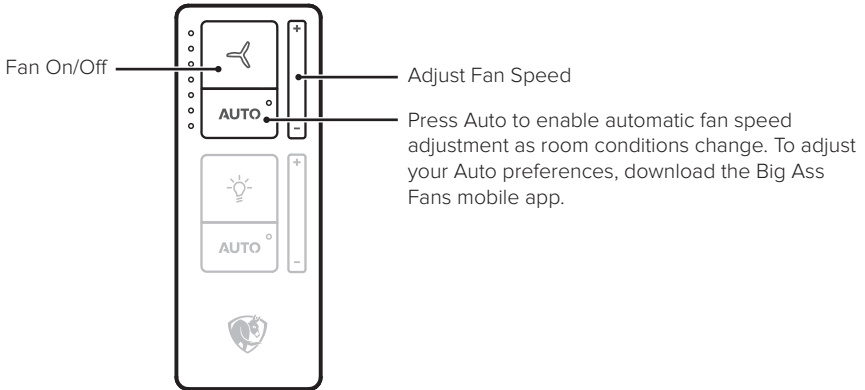


14. Test fan

⚠ CAUTION: Do not expose the remote control to rain or water.

Congratulations! Installation is now complete. Turn on power, and then press any button on the remote control to pair it with your fan. Test your fan using the remote (Fig. 14). *Note: It is normal for the fan to jerk forward and backward slightly for a few seconds when first turned on.*

Fig. 14



Big Ass Fans Mobile App



Download the Big Ass Fans mobile app to group multiple fans, adjust their settings, and set your comfort preferences for hands-free control.

For smart device integration instructions, visit www.bigassfans.com/support

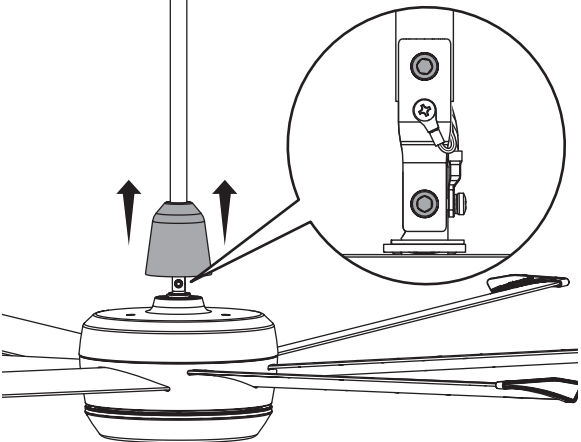
After connecting your fan to the app, use the app to make sure the fan's firmware is up to date.


Kick Ass™ Mode

Kick your fan into maximum overdrive with Kick Ass mode. Activate Kick Ass mode in the Big Ass Fans mobile app for an immediate airflow boost when you need it most.




TROUBLESHOOTING

Issue	Solution
The fan jerks upon startup.	<p>This is normal and may happen occasionally upon startup. An initial slight jerking forward and backward does not affect fan operation.</p>
The fan will not start.	<ul style="list-style-type: none"> • Make sure the fan is receiving power. Check your circuit breaker or fuse panel and wall switch for functionality. • Make sure supply power is adequate. • Make sure all wires are securely connected and the fan is properly wired and grounded. • Make sure the plastic film in the remote's battery tray has been removed.
The fan wobbles.	<ul style="list-style-type: none"> • Make sure all mounting hardware is secure and tight. • Make sure all airfoils are aligned properly and are securely fastened to the motor unit. • If an airfoil is damaged, contact Customer Service. Airfoils must be replaced as a set. Do not replace individual airfoils. • Make sure the downrod and motor unit are hanging straight. Raise the wiring cover and locate the two bolts and nuts on the motor bracket. Loosen the hardware slightly to allow the fan to hang straight, and then re-tighten just past hand tight. Slide the wiring cover back in place. 
The fan is noisy during operation.	<p>Bring the fan to a complete stop.</p> <ul style="list-style-type: none"> • Gently turn the airfoils by hand, making sure there are no fan parts rubbing on the hub when the fan rotates. • Check all mounting and fan hardware. If loose, tighten.

I need to reboot the fan.	Press and hold the remote On/Off button until the LED indicators start blinking. Within three seconds of the LEDs blinking, press the On/Off button again. When the LEDs stop blinking, the reboot is complete.
I need to pair my remote control with a different fan.	To pair a remote with a different fan, press  and = until the LEDs blink. Make sure the remote is within range of the new fan, and then press any button to pair.

MAINTENANCE

 **WARNING: Risk of fire, electric shock, or injury to persons during cleaning and user maintenance. Disconnect the appliance from the power supply before servicing.**

Please take a few moments each year to perform the following preventative maintenance procedures on your fan to ensure its safe and efficient operation.

Checking the safety cable

Check that the safety cable is properly installed by removing the canopy screws, sliding the canopy down the downrod, and examining the safety cable and hardware.

Checking the hardware

Make sure the mounting hardware and the screws securing the airfoils to the fan hub are securely fastened. Tighten the six airfoil screws on the bottom of the fan according to the numbered sequence. When finished, repeat the tightening sequence.

Checking the wiring

Make sure the wire connectors are secure and the ground wires are securely connected.

Cleaning the airfoils

Dust the airfoils regularly. If the fan becomes dirty, clean it with a soft cloth. Do not use solvents, gasoline, or any other chemical cleaners. These may cause surface distortion and damage to the fan.



For more operation, maintenance, and troubleshooting information, visit www.bigassfans.com/support

CONTACT US

United States

2348 Innovation Drive
Lexington, KY 40511
USA
877-244-3267
Outside the U.S. (+1 859-233-1271)
bigassfans.com

Australia

35 French Street
Eagle Farm, Brisbane
QLD 4009
Australia
+61 1300 244 277
bigassfans.com/au

Manufacturer

2348 Innovation Drive
Lexington, KY 40511
USA

Manufacturing Site

2251 Innovation Drive
Lexington, KY 40511
USA

Warranty and WEEE Returns

2201 Jaggie Fox Way
Lexington, KY 40511
USA

Canada

2180 Winston Park Drive
Oakville, Ontario L6H 5W1
Canada
1 844-924-4277
bigassfans.com/ca

Singapore

50 Ubi Crescent
#01-01 Ubi TechPark
Singapore 408568
+65 6709 8500
bigassfans.com/sg

All Other Geographies

+1 859-410-6286
bigassfans.com

The information contained in this document is subject to change without notice. For the most up-to-date information, see the online printable installation guide at www.bigassfans.com/support

Google Play is a trademark of Google LLC.

www.bigassfans.com/patents · www.bigassfans.com/product-warranties

© 2024 DELTA T LLC. ALL RIGHTS RESERVED.

FRANÇAIS

CONTENU

Avant de commencer	1
Pièces et quincaillerie	3
Installation du ventilateur.....	4
Dépannage	18
Entretien	20
Nous joindre	21



Rév. B
07/25/2024

LISEZ ET CONSERVEZ CES INSTRUCTIONS

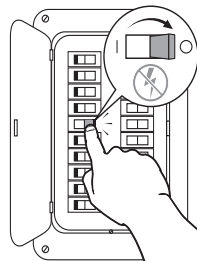


AVANT DE COMMENCER

☑ Coupez l'alimentation au niveau du disjoncteur

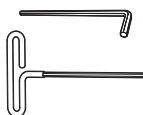
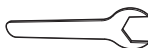
Tension d'entrée : 100–277 VCA, 1 Φ , 50/60 Hz

Ne connectez pas le ventilateur à une source d'alimentation endommagée. Ne tentez pas de résoudre les défaillances électriques par vous-même. Contactez un électricien certifié si vous n'êtes pas à l'aise pour réaliser le travail électrique. Si le code local l'exige, un électricien certifié doit réaliser l'installation du ventilateur.



⚠ N'utilisez pas le ventilateur avec un gradateur ou un interrupteur tiers.

☑ Réunir les outils



Fourni avec le ventilateur

☑ Préparez le site du ventilateur et rassemblez le matériel

Boîte de sortie : Assurez-vous que votre boîtier de prise est adéquat pour supporter le ventilateur. S'il n'y a pas de boîte de sortie à l'emplacement du ventilateur, installez-en une sur une solive ou une poutre de plafond. Vous devrez fournir deux vis 10-32 pour fixer le support de montage du ventilateur au boîtier de sortie.

Plafond en béton : Vous devrez fournir trois boulons d'ancrage* pour fixer le support de fixation du ventilateur au plafond. Si votre bâtiment local l'exige et les codes de sécurité, vous devrez également fournir un crochet d'ancrage* pour le câble de sécurité. Voir page 2 pour obtenir les spécifications matérielles et les détails d'installation.

Poutrelle de plafond en bois : Vous devrez fournir deux vis à bois à tête hexagonale résistantes à la corrosion de 12-11 x 45 mm avec joint pour fixer le support de montage du ventilateur directement à la solive. Si le code local l'exige, montez ou intégrez un boîtier de sortie dans la solive. Le boîtier de sortie doit être adapté au support de ventilateur.

Emplacements extérieurs couverts : Les ventilateurs homologués pour l'humidité installés dans des emplacements extérieurs couverts doivent avoir une couverture aérienne complète fixe/permanente s'étendant sur au moins 0,6 m (2 pi) à partir des extrémités des pales de tous les côtés. Les ventilateurs résistants homologués pour l'humidité installés dans des endroits extérieurs couverts ne peuvent être montés que sur des plafonds plats.

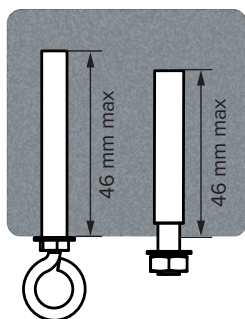
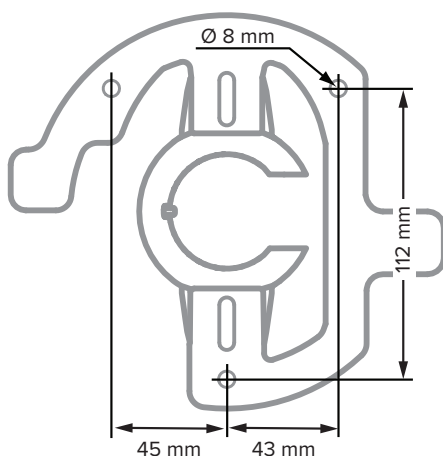
Modèles et poids maximum : MK-TRB1-052306 : 11,1 kg (24,5 lb), MK-TRB1-062306 : 12 kg (26,4 lb), MK-TRB1-072306 : 12,8 kg (28,2 lb)

*Si des boulons d'ancrage et un crochet d'ancrage sont fournis avec votre ventilateur, utilisez-les pour une installation sur du béton.

☑ Préparez un plafond en béton (le cas échéant)

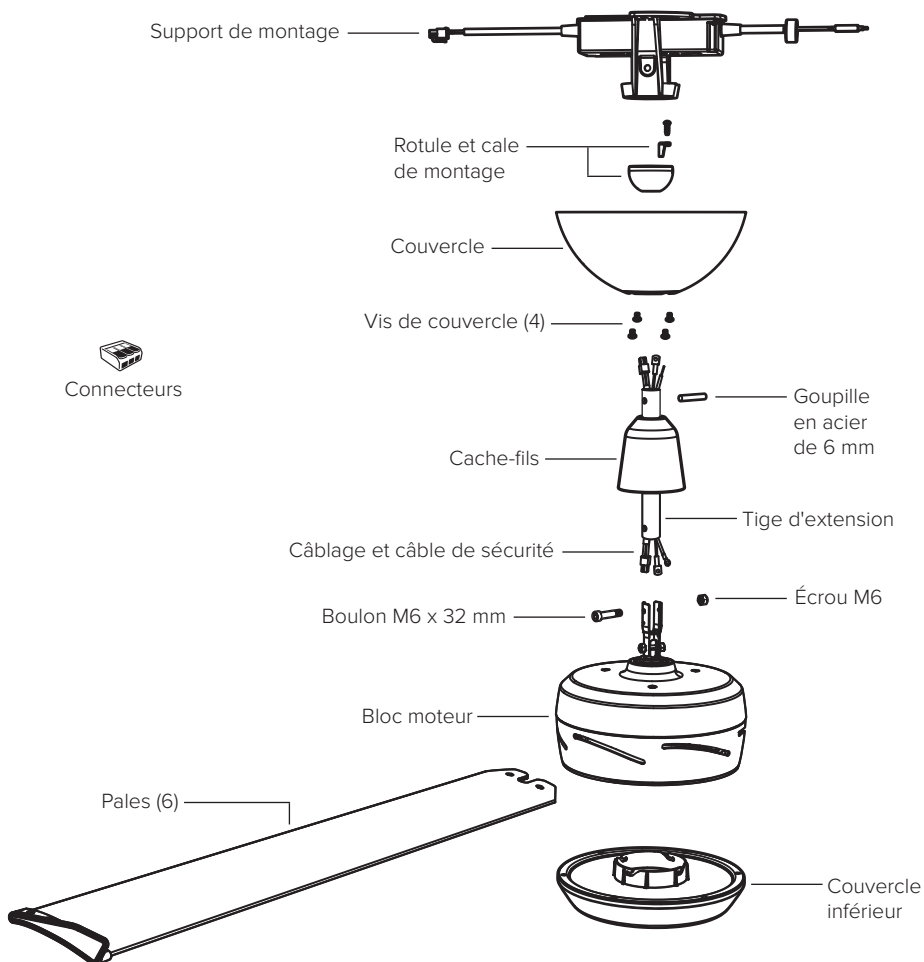
Percez trois trous de 8 mm de diamètre selon la disposition illustrée. La profondeur du trou ne doit pas dépasser 46 mm. Retirez toute la poussière des trous. Insérez trois boulons d'ancrage dans les trous. Frappez la tête des boulons d'ancrage avec un marteau en vous assurant que les fourreaux de boulon sont ajustés avec la surface du plafond. Positionnez le support de montage sur les boulons d'ancrage. Assurez-vous que les trois boulons d'ancrage sont entièrement serrés pour armer et verrouiller les ancrages.

Si les codes de sécurité et de construction locaux l'exigent, installez un crochet d'ancrage pour le câble de sécurité. Percez un trou de 8 mm de diamètre pour le crochet d'ancrage. La profondeur du trou ne doit pas dépasser 46 mm. Retirez toute poussière du trou, puis insérez le crochet d'ancrage et serrez complètement.



PIÈCES ET QUINCAILLERIE

Si votre ventilateur est livré avec un filtre EMI (non illustré), installez-le.

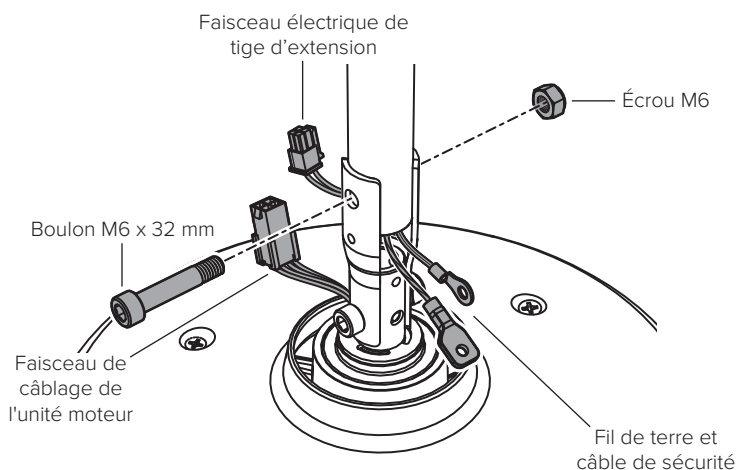


INSTALLATION DU VENTILATEUR

1. Installer la tige d'extension

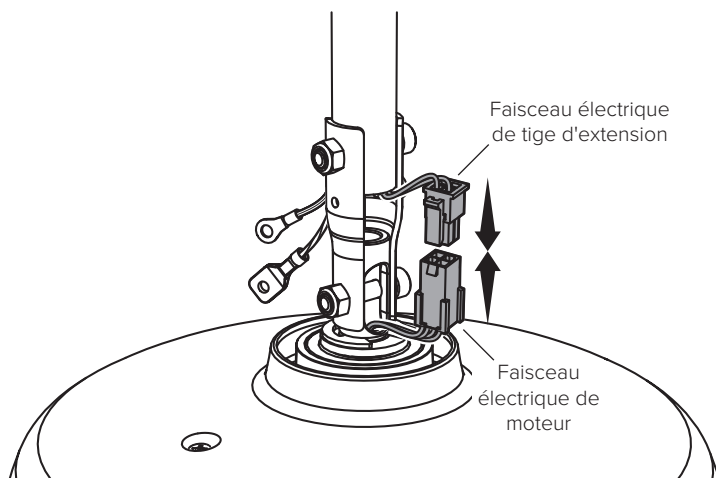
Alignez les trous sur la tige d'extension avec les trous sur le support de moteur. Positionnez le faisceau de câblage de la tige d'extension **du même côté** que l'arbre du moteur que le faisceau de câblage de l'unité du moteur. Placez le fil de terre et le câble de sécurité **sur le côté opposé** de l'arbre du moteur que le faisceau de câbles de l'unité du moteur. Fixez la tige d'extension avec le boulon M6 x 32 mm et l'écrou M6 (Fig. 1.1).

Fig. 1.1



Branchez le faisceau électrique de la tige d'extension au faisceau électrique du moteur (Fig. 1.2).

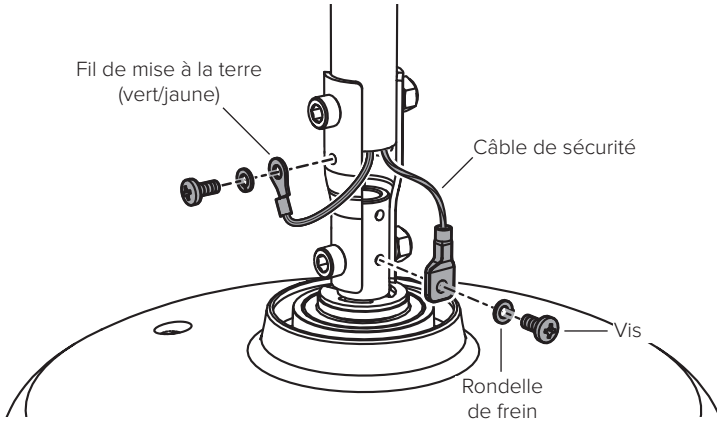
Fig. 1.2



2. Installer le câble de sécurité inférieur et le fil de mise à la terre

Installez le câble de sécurité et les ergots de fil de mise à la terre avec des vis et des rondelles de frein non peintes (Fig. 2).

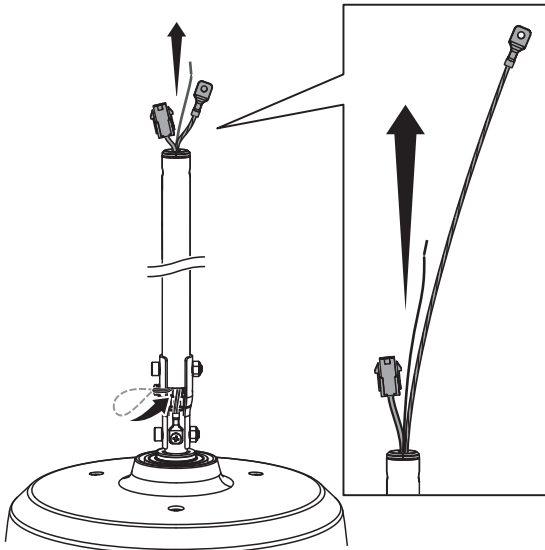
Fig. 2



3. Réduire le jeu

Assurez-vous que l'ensemble de la visserie est bien fixé en place, puis insérez délicatement les câbles dans le haut de la tige d'extension pour réduire la longueur excessive (Fig. 3). Assurez-vous que le bouchon en caoutchouc en haut de la tige d'extension reste en place.

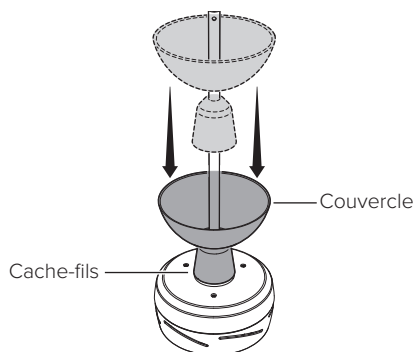
Fig. 3



4. Placer le cache-fils et le couvercle

Faites glisser le cache-fils le long de la tige d'extension et déposez-le sur le moyeu de ventilateur. Assurez-vous qu'aucun fil n'est visible entre le cache-fils et le moyeu de ventilateur en le déposant sur le cache-fils (Fig. 4).

Fig. 4



5. Installer la rotule d'assemblage

Faites glisser la rotule d'assemblage sur la tige d'extension (Fig. 5.1).

Insérez la goupille en acier de 6 mm dans le trou dans le haut de la tige d'extension, puis faites glisser la rotule d'assemblage vers le haut, ce qui permet de fixer la goupille en acier dans les fentes internes (Fig. 5.2).

Insérez la cale dans la rotule d'assemblage et fixez-la avec la vis. Serrez la vis de façon suffisante pour éviter un mouvement entre la rotule d'assemblage et la tige d'extension, mais ne serrez pas de façon excessive (Fig. 5.3). Assurez-vous que le bouchon en caoutchouc en haut de la tige d'extension est toujours en place.

Fig. 5.1

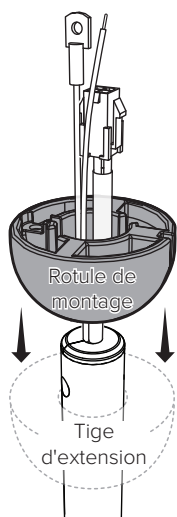


Fig. 5.2

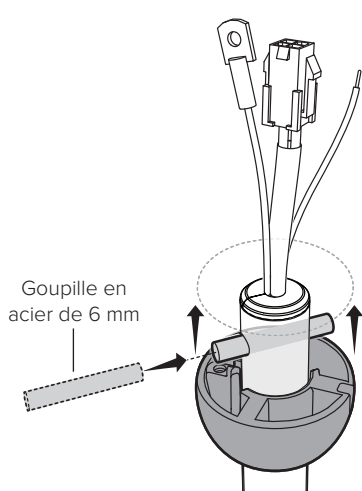
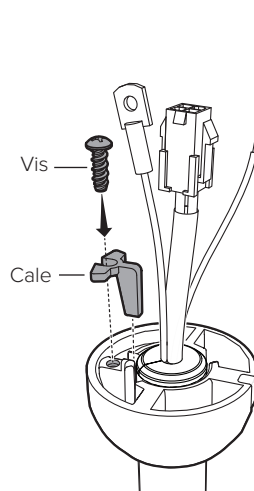


Fig. 5.3

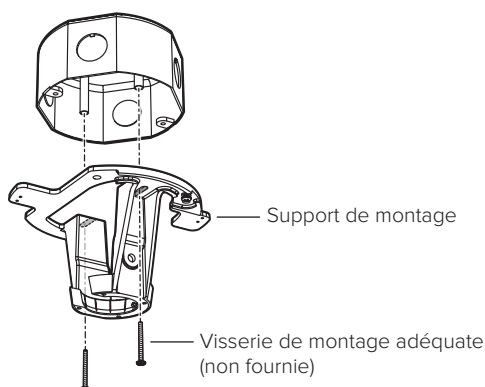


6. Installer le support de montage

- ⚠ **Débranchez l'alimentation au niveau de l'emplacement du ventilateur avant de procéder à l'installation du support de montage.**
- ⚠ **AVERTISSEMENT : réalisez l'assemblage uniquement sur une boîte de sortie marquée comme étant acceptable pour le support de ventilateur.**

Fixez le support de montage sur la structure de montage avec une visserie adéquate (non fournie) (Fig. 6). *Boîte de sortie illustrée. Votre structure de montage pourrait être différente de celle de l'illustration. L'alimentation électrique a été omise de l'illustration du support de montage pour des raisons de clarté.*

Fig. 6

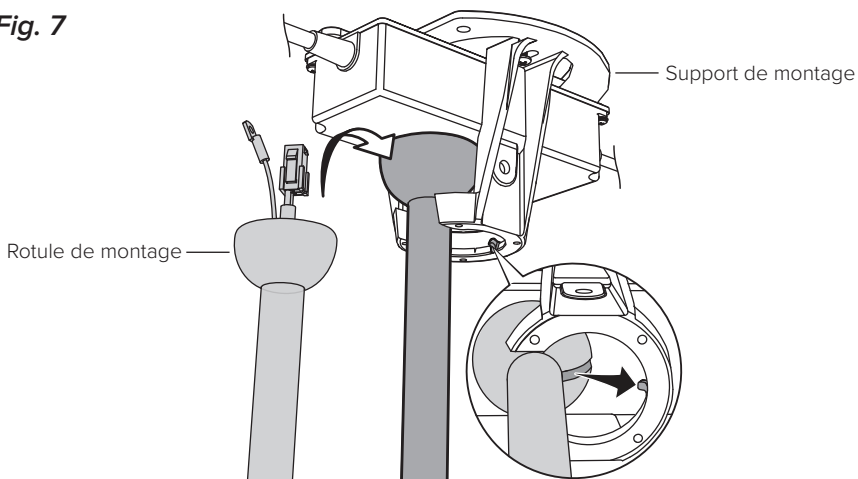


7. Suspendre le ventilateur

Soulevez le ventilateur jusqu'au support de montage. Alignez la nervure du support de montage avec la fente dans la rotule d'assemblage, positionnez la rotule et relâchez le ventilateur (Fig. 7).

Tentez de tourner doucement la tige d'extension pour vous assurer qu'elle est solidement en place et qu'elle ne bougera pas lors du fonctionnement du ventilateur.

Fig. 7



8a. Raccorder le ventilateur (sans filtre EMI)

⚠ Débranchez l'alimentation à l'emplacement du ventilateur avant de réaliser le câblage du ventilateur.

⚠ N'utilisez pas le ventilateur avec un gradateur ou un interrupteur tiers.

Raccordez le ventilateur comme illustré en utilisant des connecteurs (Fig. 8a). Fixez le fil de mise à la terre vert et jaune au support de montage avec la vis non peinte. Connectez le faisceau électrique du bloc d'alimentation au faisceau électrique de la tige d'extension en vous assurant que le câble de sécurité et le câblage sont acheminés dans le même sens.

Insérez délicatement le câblage dans la boîte de sortie ou la structure du bâtiment. Assurez-vous que les connecteurs sont tournés vers le haut et que les fils sont séparés des conducteurs de terre sur le côté de la boîte de sortie/structure de montage et que les conducteurs non mis à la terre sont de l'autre côté.

Fig. 8a

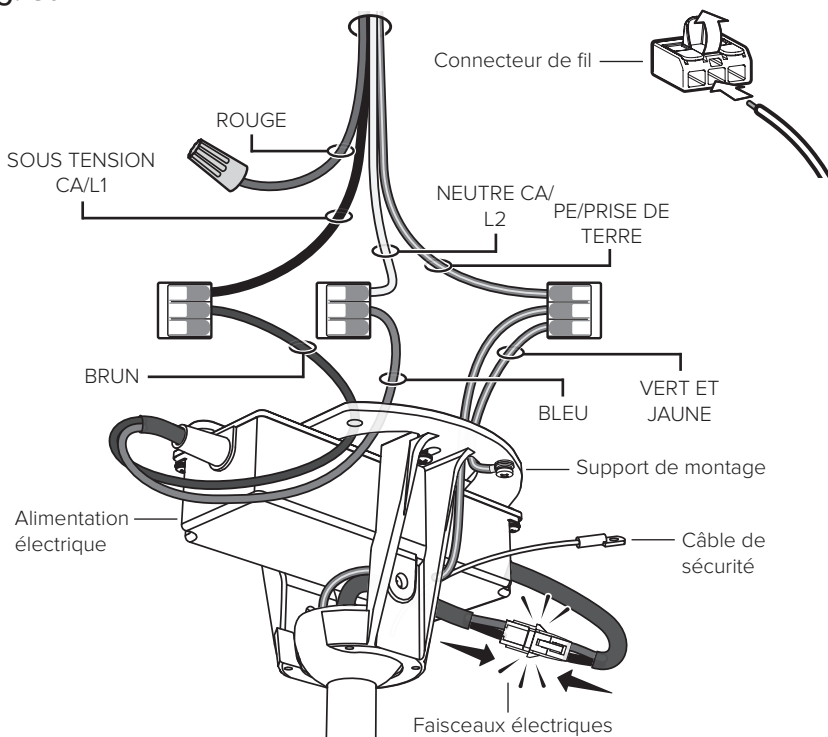


Tableau des couleurs de fil d'alimentation

	Amérique du Nord 100–120 V	Australie	Toutes les autres régions
Sous tension CA/L1 Brun	Noir	Brun ou rouge	Brun
Neutre CA/L2 Bleu	Blanc	Noir ou bleu pâle	Bleu
PE/Prise de terre Vert avec jaune	Vert ou cuivre dénudé	Vert avec jaune	Vert avec jaune

8b. Raccorder le ventilateur (avec filtre EMI)

⚠ Débranchez l'alimentation à l'emplacement du ventilateur avant de réaliser le câblage du ventilateur.

⚠ N'utilisez pas le ventilateur avec un gradateur ou un interrupteur tiers.

Raccordez le ventilateur comme illustré en utilisant des connecteurs (Fig. 8b). Fixez le fil de mise à la terre vert et jaune au support de montage avec la vis non peinte. Connectez le faisceau électrique du bloc d'alimentation au faisceau électrique de la tige d'extension en vous assurant que le câble de sécurité et le câblage sont acheminés dans le même sens.

Insérez délicatement le câblage dans la boîte de sortie ou la structure du bâtiment. Assurez-vous que les connecteurs sont tournés vers le haut et que les fils sont séparés des conducteurs de terre sur le côté de la boîte de sortie/structure de montage et que les conducteurs non mis à la terre sont de l'autre côté.

Fig. 8b

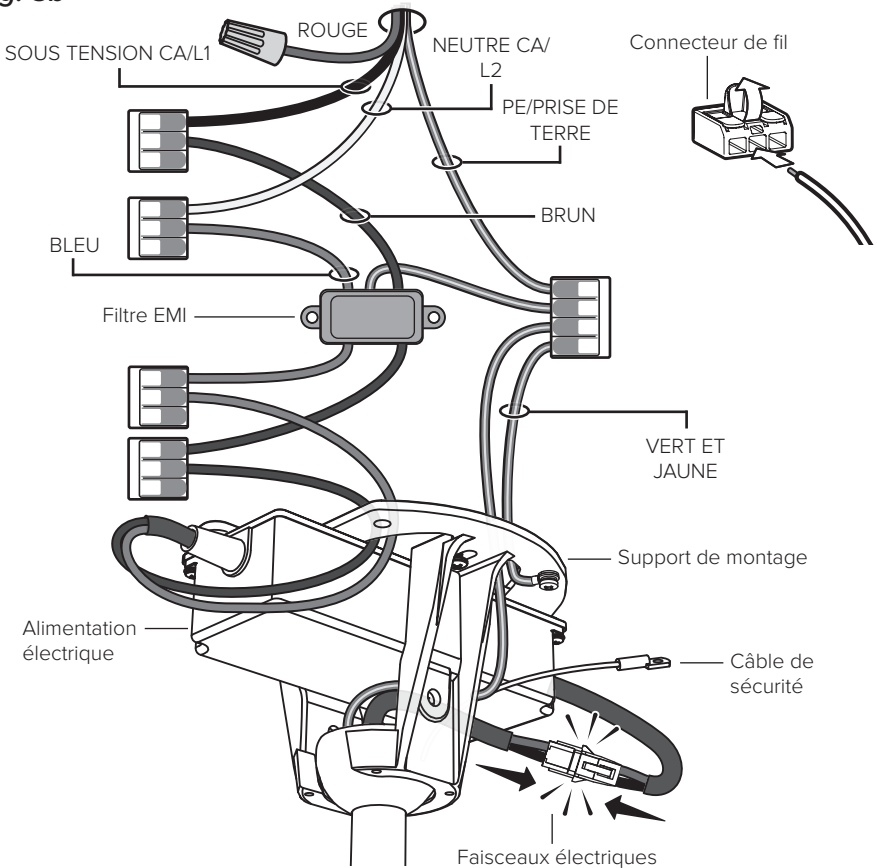


Tableau des couleurs de fil d'alimentation

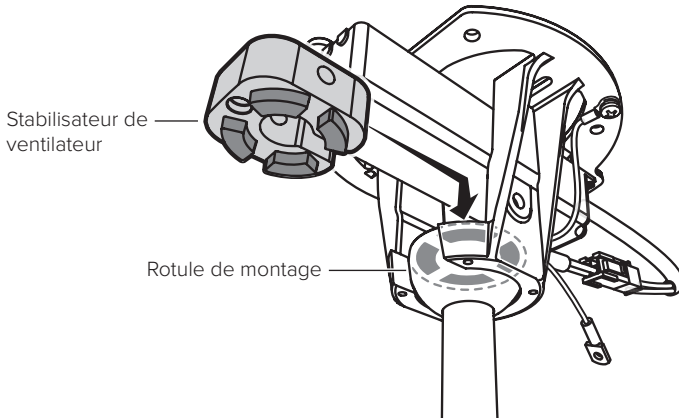
	Amérique du Nord 100–120 V	Australie	Toutes les autres régions
Sous tension CA/L1 Brun	Noir	Brun ou rouge	Brun
Neutre CA/L2 Bleu	Blanc	Noir ou bleu pâle	Bleu
PE/Prise de terre Vert avec jaune	Vert ou cuivre dénudé	Vert avec jaune	Vert avec jaune

9. Poser le stabilisateur de ventilateur (en option, ventilateurs extérieurs uniquement)

Le stabilisateur de ventilateur est compris uniquement s'il a été acheté comme accessoire de ventilateur extérieur. Installez le stabilisateur dans des endroits extérieurs couverts sur des plafonds plats uniquement.

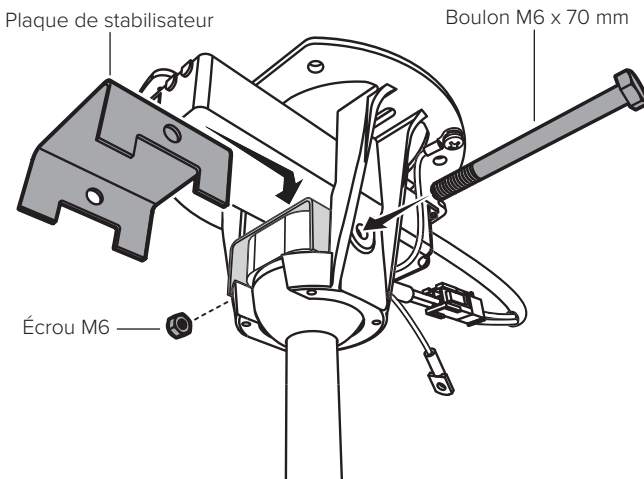
Si vous avez fait l'achat d'un ensemble de stabilisateur de ventilateur, installez le stabilisateur dans les encoches se trouvant sur le haut de la rotule d'assemblage (Fig. 9.1).

Fig. 9.1



Fixez la plaque de stabilisateur sur le stabilisateur à l'aide d'un boulon M6 x 70 mm et d'un écrou M6 (Fig. 9.2).

Fig. 9.2



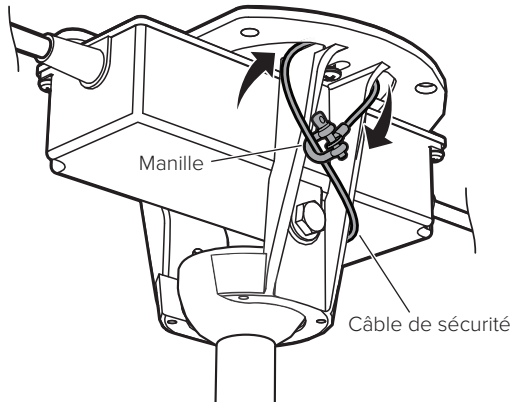
10. Fixer le câble de sécurité

Certains codes de sécurité régionaux exigent que le câble de sécurité soit fixé directement à une pièce existante de la structure du bâtiment (Canada, Singapour). Il pourrait être nécessaire d'installer un matériau de structure supplémentaire pour disposer de points d'attache. Consultez le code de sécurité pertinent si vous êtes incertain.

Support de montage

Enroulez le câble de sécurité autour du support de montage, puis fixez-le avec la manille (Fig. 10.1).

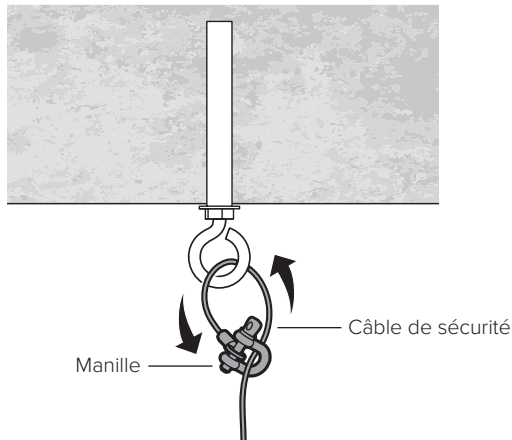
Fig. 10.1



Crochet d'ancrage

Enroulez le câble de sécurité autour du crochet d'ancrage, puis fixez-le avec la manille (Fig. 10.2).

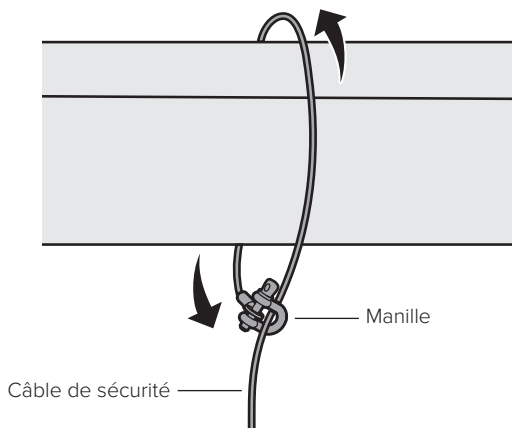
Fig. 10.2



Structure de bâtiment

Enroulez le câble de sécurité autour de la structure de bâtiment, puis fixez-le avec la manille (Fig. 10.3). Les structures de bâtiment acceptables comprennent une poutre en bois, ou un renfort de montage métallique fixé entre deux poutres. Dans certains cas, il pourrait être nécessaire d'installer des matériaux structuraux supplémentaires pour disposer de points d'attache.

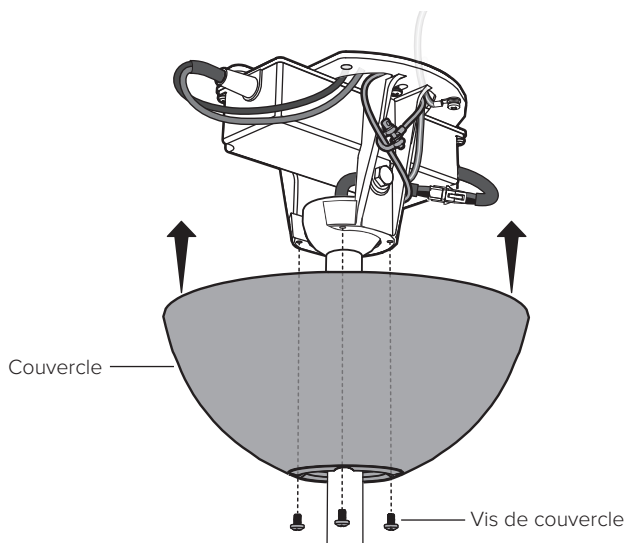
Fig. 10.3



11. Soulever le couvercle

Soulevez le couvercle jusqu'au support de montage en alignant les quatre trous sur le couvercle avec les trous sur le support. Fixez le couvercle au support de montage à l'aide des vis peintes (Fig. 11). Assurez-vous que tous les fils et le câble de sécurité sont insérés dans le couvercle.

Fig. 11



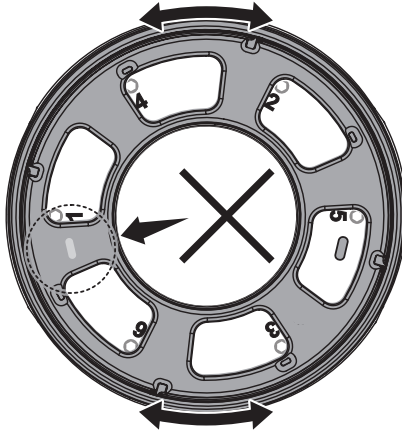
12. Montage des pales



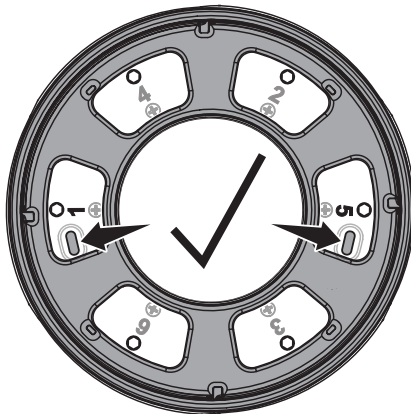
Si vous installez plusieurs ventilateurs, veillez à ne pas mélanger les pales des différents blocs-moteurs. Chaque jeu de pales doit être monté sur le bloc-moteur avec lequel il a été livré.

Avant de monter les pales, assurez-vous que les numéros 1 à 6 inscrits sur le dessous du ventilateur sont centrés dans les six ouvertures correspondantes, et que les deux languettes jaunes situées à côté des numéros 1 et 5 sont visibles (*figure 12.1*). Si nécessaire, appuyez sur les languettes jaunes et faites tourner le moyeu du ventilateur afin que les six numéros soient bien visibles et centrés.

Figure 12.1



Moyeu mal aligné

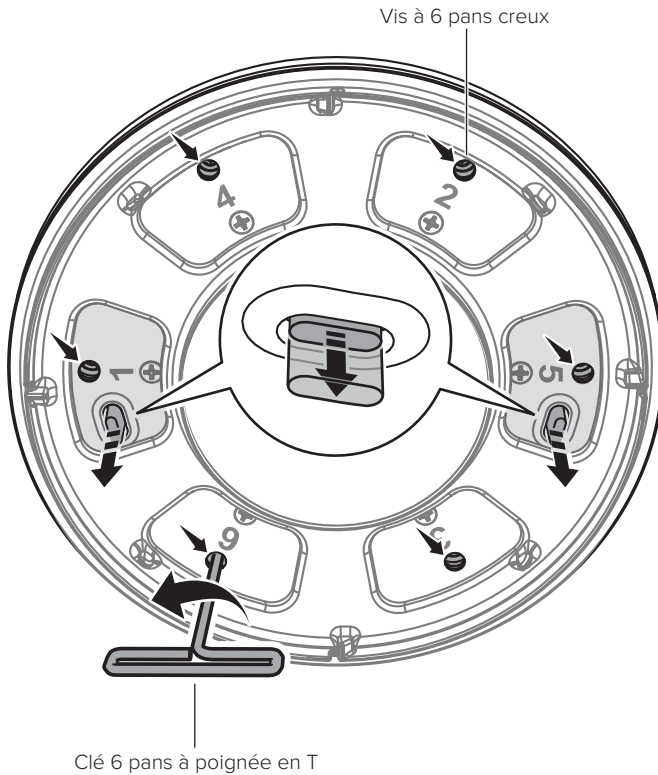


Moyeu correctement aligné

Avant de monter les pales, munissez-vous de la clé 6 pans à poignée en T fournie pour desserrer les **six vis à 6 pans creux situées au-dessus de chaque numéro**. **NE PAS desserrer les six vis cruciformes situées en dessous des numéros**. Desserrez les six vis à 6 pans creux de façon à faire descendre au maximum les deux languettes jaunes (*figure 12.2*). Il est impossible d'insérer les pales dans le bloc-moteur tant que les six vis à 6 pans creux ne sont pas desserrées à fond et que les deux languettes jaunes ne sont pas abaissées au maximum.

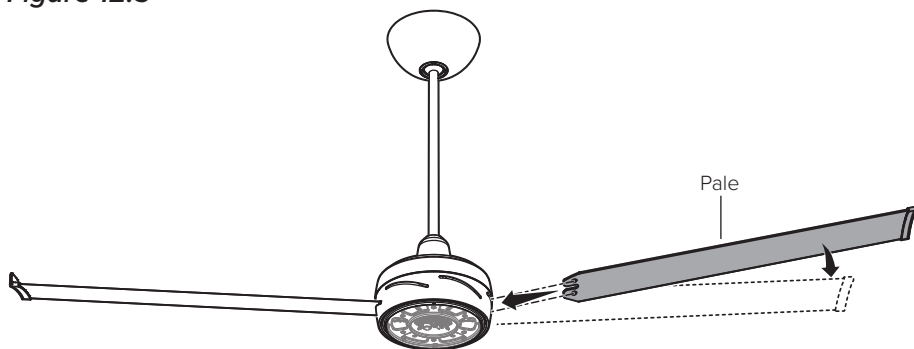
Figure 12.2

Assurez-vous que les deux languettes jaunes sont abaissées au maximum.



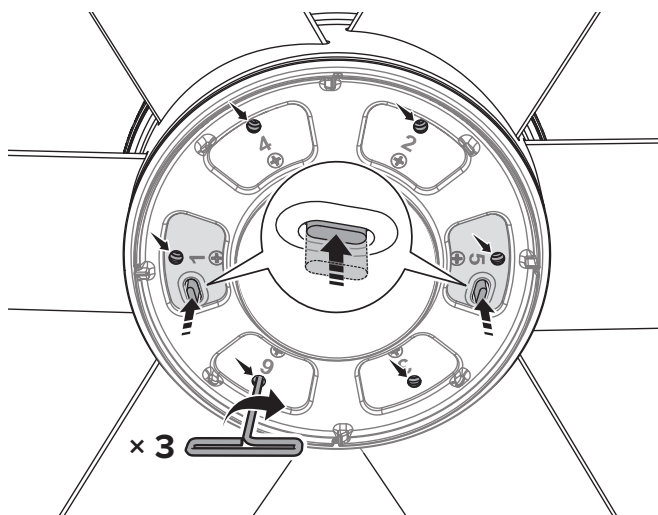
Faites glisser les pales dans les fentes latérales du bloc-moteur (voir *figure 12.3*). Afin d'éviter de déséquilibrer le ventilateur, insérez chaque pale à l'opposé de la pale précédente. Vérifiez que toutes les pales sont insérées à fond dans les fentes. Vérifiez également que les numéros figurant sur les étiquettes des pales correspondent à ceux inscrits sur le dessous du ventilateur. **NE PAS serrer les six vis à 6 pans creux tant que toutes les pales ne sont pas en place.**

Figure 12.3



À l'aide de la clé 6 pans à poignée en T fournie, serrez les **six vis à 6 pans creux situées au-dessus de chaque numéro, sur le dessous du ventilateur, dans l'ordre croissant des numéros. NE PAS serrer ou desserrer les six vis cruciformes situées en dessous des numéros.** Effectuez trois tours complets sur chaque vis à 6 pans avant de passer à la suivante. Continuez de serrer les vis à 6 pans de trois tours complets dans l'ordre croissant des numéros jusqu'à ce qu'elles soient toutes serrées à fond et que les languettes jaunes situées à côté des numéros 1 à 5 ne dépassent plus des ouvertures (*figure 12.4*).

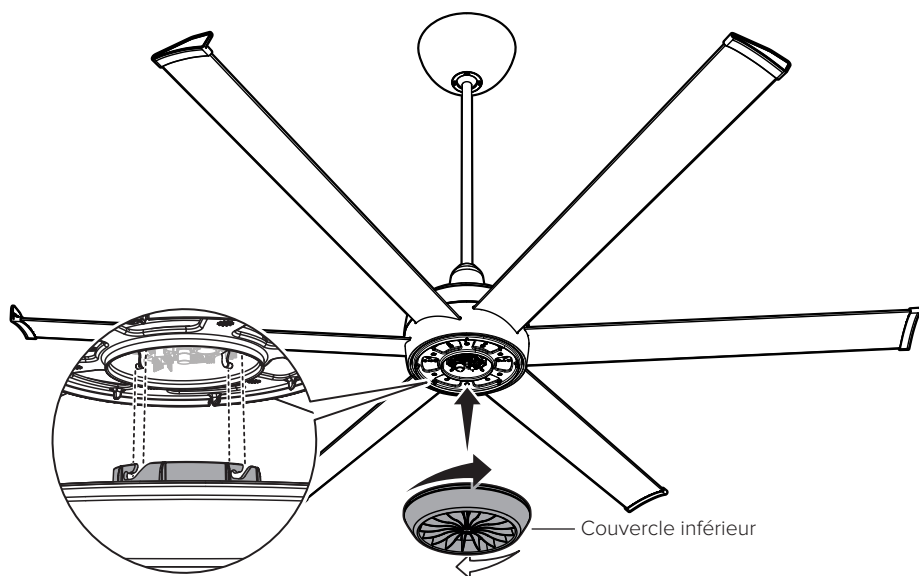
Figure 12.4



13. Installer le couvercle inférieur

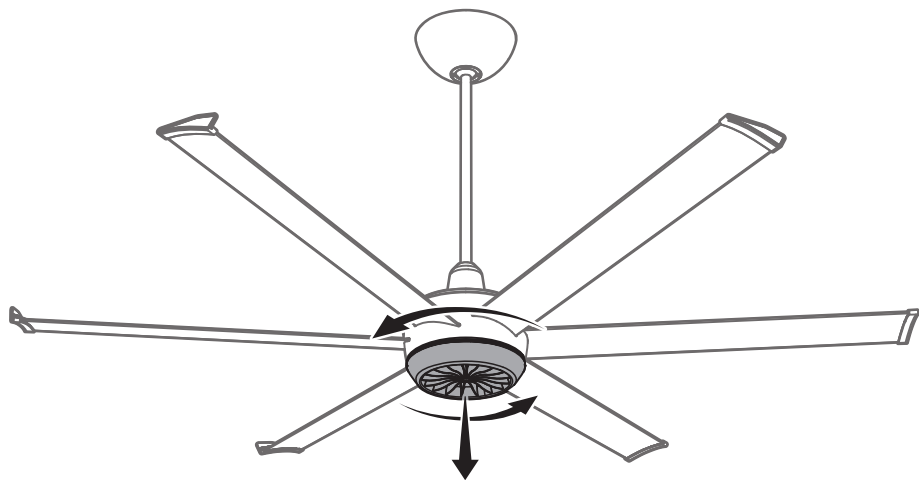
Alignez les fentes sur le couvercle inférieur avec les languettes se trouvant sur la base du ventilateur. Tournez le couvercle inférieur dans le sens des aiguilles d'une montre jusqu'à ce que vous entendiez et sentiez qu'il s'enclenche (Fig. 13.1).

Fig. 13.1



Si vous avez besoin de retirer le couvercle inférieur, tournez le couvercle dans le sens antihoraire et faites-le glisser vers le bas (Fig. 13.2).

Fig. 13.2

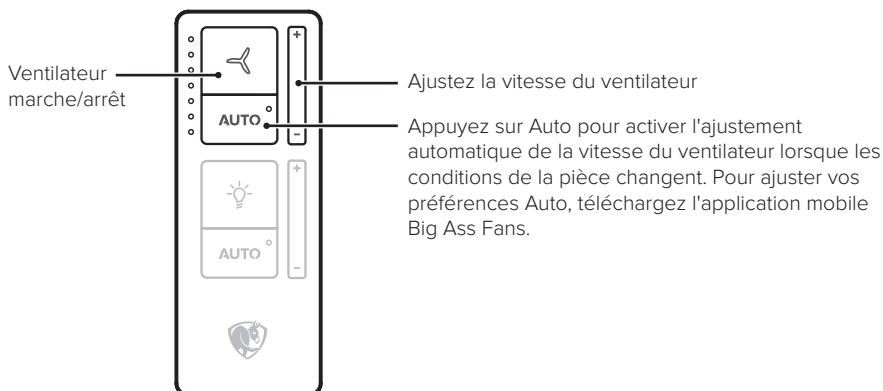


14. Testez le ventilateur

⚠ ATTENTION : N'exposez pas la télécommande à la pluie et à l'eau.

Félicitations! L'installation est maintenant terminée. Allumez l'appareil, puis appuyez sur n'importe quel bouton de la télécommande pour le synchroniser avec votre ventilateur. Testez votre ventilateur à l'aide de la télécommande (Fig. 14). *Note : Il est normal que le ventilateur se jette légèrement vers l'avant et l'arrière pendant quelques secondes lorsque vous l'allumez pour la première fois.*

Fig. 14



Application mobile Big Ass Fans



Téléchargez l'application mobile Big Ass Fans pour regrouper plusieurs fans, ajuster leurs paramètres et définir vos préférences de confort pour un contrôle mains libres.

Pour obtenir des instructions sur l'intégration des appareils intelligents, rendez-vous sur www.bigassfans.com/support

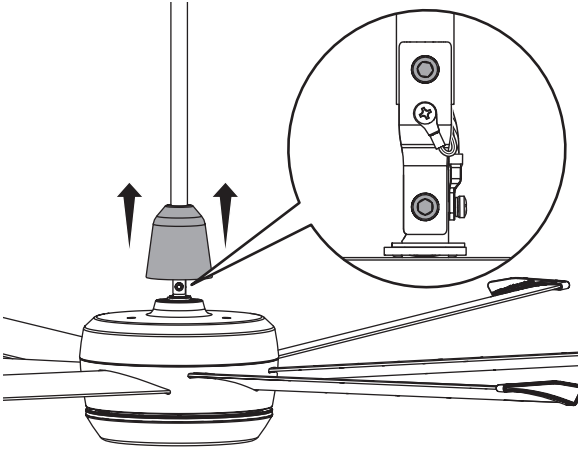
Après avoir connecté votre ventilateur à l'application, utilisez l'application pour vous assurer que le micrologiciel du ventilateur soit à jour.



Mode Kick Ass™

Propulser votre ventilateur en survitesse maximale avec mode Kick Ass. Activez mode Kick Ass dans l'application mobile Big Ass Fans pour une augmentation immédiate du flux d'air lorsque vous en avez le plus besoin.



DÉPANNAGE

Problème	Solution
Le ventilateur fait des secousses au démarrage.	Ceci est normal et peut se produire occasionnellement au démarrage. Un léger mouvement initial vers l'avant et l'arrière n'affecte pas le fonctionnement du ventilateur.
Le ventilateur de démarre pas.	<ul style="list-style-type: none">• Assurez-vous que l'alimentation parvient au ventilateur. Vérifiez le bon fonctionnement de votre disjoncteur ou panneau de fusible ainsi que l'interrupteur mural.• Assurez-vous que l'alimentation est adéquate.• Assurez-vous que tous les fils sont bien branchés et que le ventilateur est correctement câblé et mis à la terre.• Assurez-vous d'avoir retiré la pellicule en plastique dans le compartiment des piles de la télécommande.
Le ventilateur oscille.	<ul style="list-style-type: none">• Assurez-vous que tout le matériel de montage est bien fixé et serré.• Assurez-vous que toutes les pales sont correctement alignés et solidement fixées au bloc moteur.• Si une pale est endommagée, contactez le Service à la clientèle. Les profils aérodynamiques doivent être remplacés en tant qu'ensemble. Ne remplacez pas les profils aérodynamiques individuels.• Assurez-vous que la tige d'extension et le bloc moteur sont bien droits. Soulevez le couvercle du câblage et localisez les deux boulons et écrous sur le support du moteur. Desserrez légèrement le matériel pour permettre au ventilateur de pendre droit, puis serrez à nouveau juste après le serrage à la main. Remettez le couvercle du câblage en place. 

<p>Le ventilateur est bruyant lorsqu'il fonctionne.</p>	<p>Arrêtez le ventilateur complètement.</p> <ul style="list-style-type: none"> • Faites doucement tourner les pales manuellement en vous assurant qu'il n'y a aucune pièce qui frotte sur le moyeu de moteur lorsque le ventilateur tourne. • Vérifiez toutes les fixations et la visserie de ventilateur. Si des éléments sont desserrés, serrez-les.
<p>Je dois réinitialiser le ventilateur.</p>	<p>Maintenez enfoncé le bouton Marche/Arrêt de la télécommande jusqu'à ce que les voyants DEL commencent à clignoter. Une fois que les DEL ont clignoté pendant trois secondes, appuyez sur le bouton de marche/arrêt de nouveau. Lorsque les DEL cessent de clignoter, la réinitialisation est terminée.</p>
<p>J'ai besoin de jumeler ma télécommande avec un autre ventilateur.</p>	<p>Pour jumeler une télécommande avec un autre ventilateur, appuyez sur  et  jusqu'à ce que les voyants clignotent. Assurez-vous que la télécommande est à portée du nouveau ventilateur, puis appuyez sur n'importe quel bouton pour jumeler.</p>

ENTRETIEN

⚠ AVERTISSEMENT : risque d'incendie, de décharge électrique ou de blessures aux personnes pendant le nettoyage et l'entretien. Débranchez l'appareil de l'alimentation avant de procéder à un entretien.

Veillez prendre quelques instants chaque année pour effectuer les procédures d'entretien préventif suivantes sur votre ventilateur afin de vous assurer qu'il fonctionne de façon sûre et efficace.

Vérification du câble de sécurité

Assurez-vous que le câble de sécurité est correctement installé en retirant les vis du couvercle, en faisant glisser ce dernier vers le bas de la tige d'extension et en examinant le câble de sécurité ainsi que la visserie.

Vérification de la visserie

Assurez-vous que la visserie de montage et les vis fixant les pales au moyeu de ventilateur sont solidement en place. Serrez les six vis de pale se trouvant à la base du ventilateur conformément à la séquence numérotée. Lorsque vous avez terminé, répétez la séquence de serrage.

Vérification du câblage

Assurez-vous que les connecteurs de fil sont solidement fixés et que les fils de mise à la terre sont bien connectés.

Nettoyage des pales

Époussetez régulièrement les pales. Si le ventilateur se salit, nettoyez-le avec un chiffon doux. N'utilisez pas de solvant, d'essence ou de nettoyant chimique. La surface pourrait être déformée et le ventilateur pourrait être endommagé.



Pour plus d'informations sur le fonctionnement, la maintenance et le dépannage, visitez www.bigassfans.com/support

NOUS JOINDRE

États-Unis

2348 Innovation Drive
Lexington, KY 40511
États-Unis
877-244-3267
En dehors des États-Unis (+1 859-233-1271)
bigassfans.com

Australie

35 French Street
Eagle Farm, Brisbane
QLD 4009
Australie
+61 1300 244 277
bigassfans.com/au

Fabricant



2348 Innovation Drive
Lexington, KY 40511
États-Unis

Site de fabrication

2251 Innovation Drive
Lexington, KY 40511
États-Unis

Garantie et retours DEEE

2201 Jaggie Fox Way
Lexington, KY 40511
États-Unis

Canada

2180 Winston Park Drive
Oakville, Ontario L6H 5W1
Canada
1 844-924-4277
bigassfans.com/ca

Singapour

50 Ubi Crescent
#01-01 Ubi TechPark
Singapour 408568
+65 6709 8500
bigassfans.com/sg

Toutes les autres zones géographiques

+1 859-410-6286
bigassfans.com

Les informations contenues dans ce document peuvent être modifiées sans préavis. Pour obtenir les informations les plus récentes, consultez le guide d'installation imprimable en ligne à l'adresse www.bigassfans.com/support

Google Play est une marque déposée de Google LLC.

www.bigassfans.com/patents · www.bigassfans.com/product-warranties

© 2024 DELTA T LLC. TOUS DROITS RÉSERVÉS.

ESPAÑOL

CONTENIDO

Antes de comenzar	1
Partes y equipo.....	3
Instalación del ventilador.....	4
Resolución de problemas.....	18
Mantenimiento	20
Contáctenos	21



Rev. B
07/25/2024

LEA Y GUARDE ESTAS INSTRUCCIONES

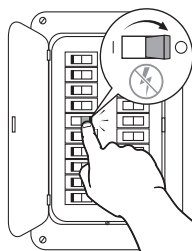


ANTES DE COMENZAR

☑ Desconecte el suministro eléctrico desde el disyuntor

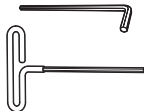
Voltaje de entrada: 100–277 VCA, 1 Φ , 50/60 Hz

No conecte el ventilador a una fuente de alimentación dañada. No intente reparar fallas eléctricas por su cuenta. Si no se siente seguro realizando trabajos eléctricos, recurra a un electricista calificado. Si el código local lo exige, el ventilador debe ser instalado por un electricista certificado.



⚠ **No utilice el ventilador con un interruptor de atenuación o un interruptor de terceros.**

☑ Reúna las herramientas



*Proporcionado con
el ventilador*

☑ Prepare el lugar de instalación del ventilador y reúna los accesorios

Caja de distribución: Verifique que su caja de distribución sea apta para soportar el ventilador. Si en el lugar donde se va a instalar el ventilador no hay una caja de distribución, instale una en una viga o vigueta de techo. Deberá proporcionar dos tornillos 10-32 para fijar el soporte de montaje del ventilador a la caja de distribución.

Techo de concreto: Deberá proporcionar tres pernos de anclaje* para fijar el soporte de montaje del ventilador al techo. Si los códigos de construcción y seguridad locales lo exigen, también deberá proporcionar un gancho de anclaje* para el cable de seguridad. Consulte la página 2 para ver las especificaciones de accesorios y los detalles de instalación.

Viga de techo de madera: Deberá proporcionar dos tornillos para madera de cabeza hexagonal resistentes a la corrosión de 12-11 x 45 mm con sello para fijar el soporte de montaje del ventilador directamente a la viga. Si lo requiere el código local, monte o empotre una caja de distribución en la viga. Dicha caja debe ser adecuada para el soporte del ventilador.

Exteriores cubiertos: Los ventiladores aptos para ambientes húmedos instalados en exteriores cubiertos deben tener una cobertura de techo total fija/permanente que se extienda al menos 2 ft (0.6 m) desde las puntas de las aspas aerodinámicas en todas las direcciones. Los ventiladores aptos para ambientes húmedos instalados en exteriores cubiertos solo se pueden montar en techos planos.

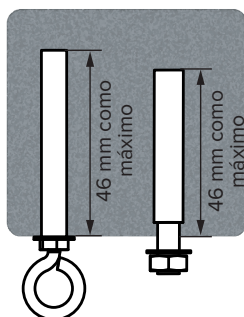
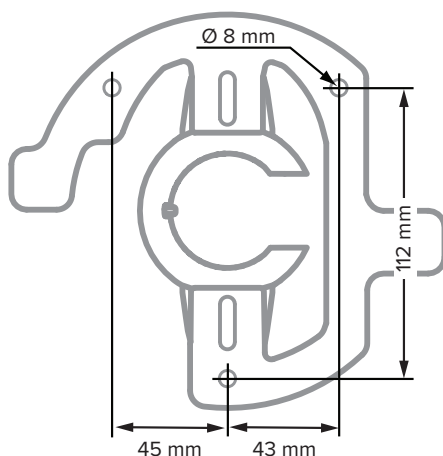
Modelos y peso máximo: MK-TRB1-052306: 24.5 lb (11.1 kg), MK-TRB1-062306: 26.4 lb (12 kg), MK-TRB1-072306: 28.2 lb (12.8 kg)

*Si se incluyen los pernos de anclaje y el gancho de anclaje en su ventilador; úselos para el montaje en concreto.

☑ Preparación del techo de concreto (si corresponde)

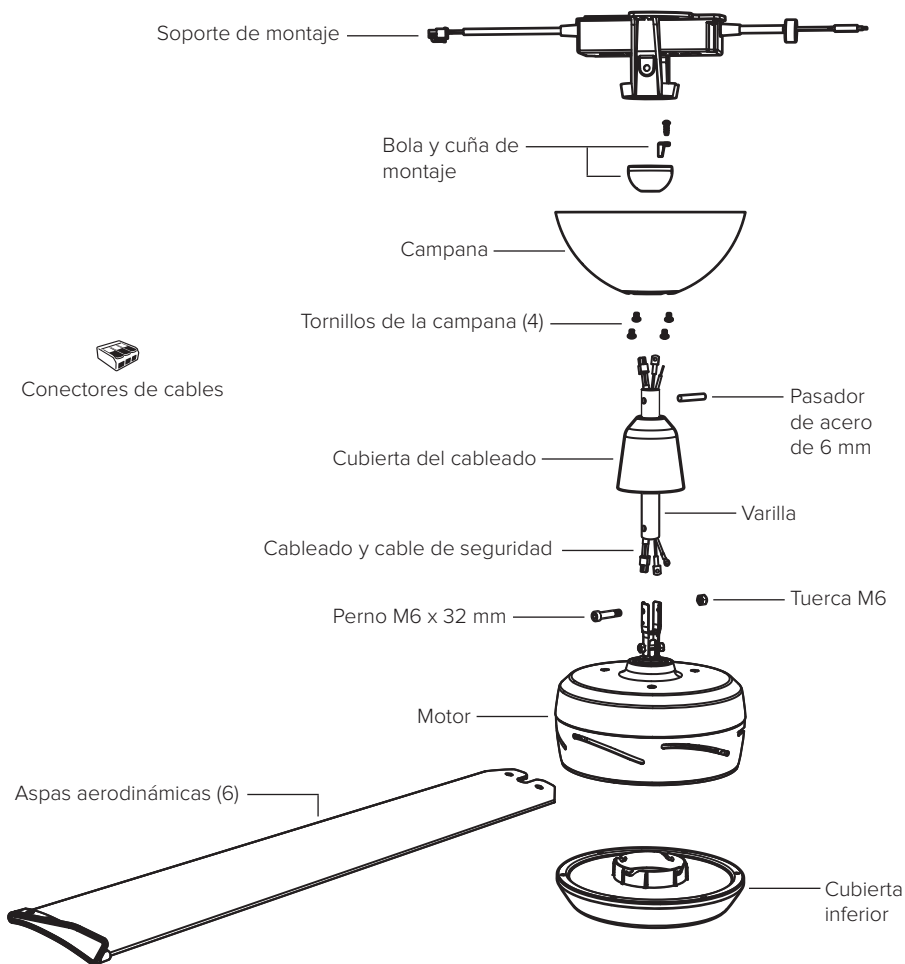
Perfore tres orificios de $\varnothing 8$ mm tal como se indica en el patrón mostrado. La profundidad de los orificios no debe exceder de 46 mm. Elimine el polvo de los orificios. Inserte tres pernos de anclaje en los orificios. Golpee las cabezas de los pernos con un martillo, asegurándose de que las camisas de los mismos queden al ras de la superficie del techo. Coloque el soporte de montaje en los pernos de anclaje. Verifique que los tres pernos de anclaje estén bien apretados para poder expandir y asegurar los anclajes.

Si los códigos de construcción y seguridad locales lo exigen, instale un gancho de anclaje para el cable de seguridad. Perfore un orificio de $\varnothing 8$ mm para el gancho de anclaje. La profundidad del orificio no debe exceder de 46 mm. Elimine el polvo del orificio, inserte el gancho de anclaje y luego apriete firmemente.



PARTES Y EQUIPO

Si se incluye el filtro de interferencia electromagnética (filtro EMI, no se muestra), instálelo junto con el ventilador.

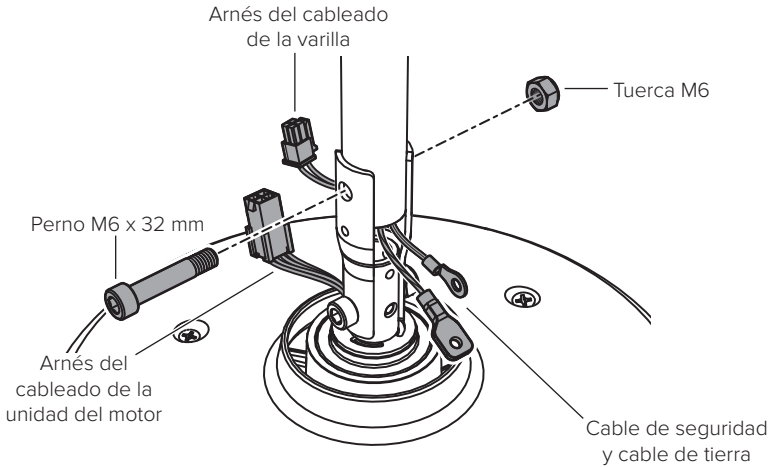


INSTALACIÓN DEL VENTILADOR

1. Instalación de la varilla

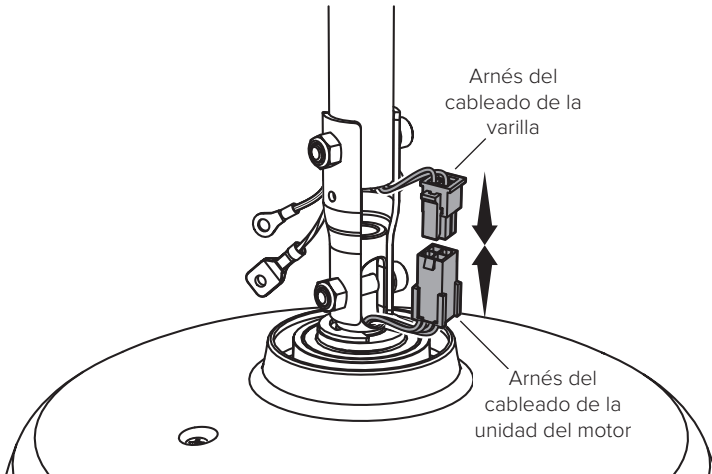
Alinee los orificios de la varilla con los orificios del soporte del motor. Coloque el arnés del cableado de la varilla, de modo que esté en el **mismo lado** del eje del motor que el arnés del cableado de la unidad del motor. Coloque el cable de tierra y el cable de seguridad, de modo que estén en el **lado opuesto** del eje del motor como el arnés del cableado de la unidad del motor. Asegure la varilla con el perno M6 x 32 mm y la tuerca M6 (Fig. 1.1).

Fig. 1.1



Conecte el arnés del cableado de la varilla al arnés del cableado de la unidad del motor (Fig. 1.2).

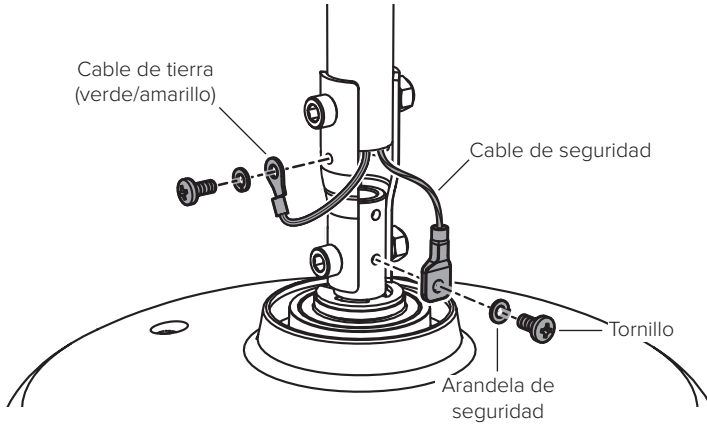
Fig. 1.2



2. Instalación del cable de seguridad inferior y el cable de tierra

Instale las terminales del cable de seguridad y del cable de tierra con los tornillos sin pintar y las arandelas de seguridad (Fig. 2).

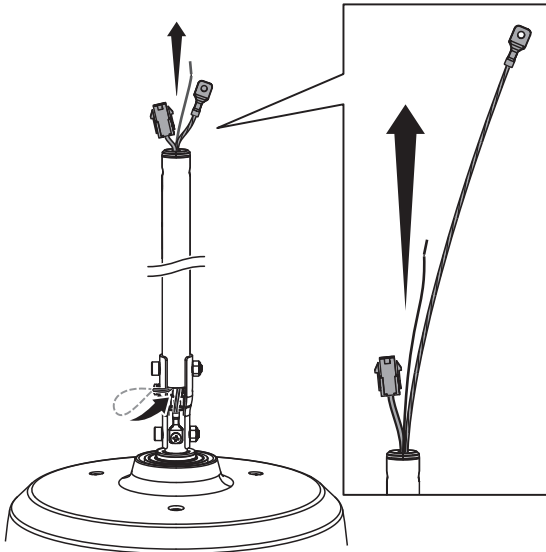
Fig. 2



3. Reduzca la holgura

Cerciórese de que todos los accesorios estén asegurados y, luego, tire suavemente de los cables en la parte superior de la varilla para reducir la holgura (Fig. 3). Asegúrese de que el tapón de goma en la parte superior de la varilla se mantenga en su lugar.

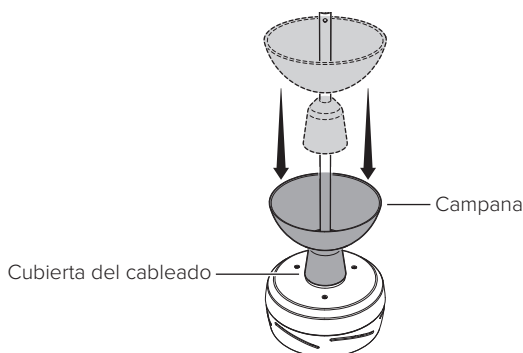
Fig. 3



4. Colocación de la cubierta del cableado y la campana

Deslice la cubierta del cableado hacia abajo por la varilla hasta llegar al cubo del ventilador. Asegúrese de que no haya cables visibles entre la cubierta y el cubo del ventilador. Deslice la campana hacia abajo por la varilla hasta llegar a la cubierta del cableado (Fig. 4).

Fig. 4



5. Instalación de la bola de montaje

Deslice la bola de montaje por la varilla (Fig. 5.1).

Inserte el pasador de acero de 6 mm en el orificio que se encuentra en la parte superior de la varilla y, luego, deslice la bola de montaje hacia arriba, fijando el pasador en las ranuras interiores (Fig. 5.2).

Inserte la cuña en la bola de montaje y asegúrela con el tornillo. Apriete el tornillo lo suficiente para evitar que haya movimiento entre la bola de montaje y la varilla, pero tampoco lo apriete demasiado (Fig. 5.3). Asegúrese de que el tapón de goma en la parte superior de la varilla siga en su lugar.

Fig. 5.1

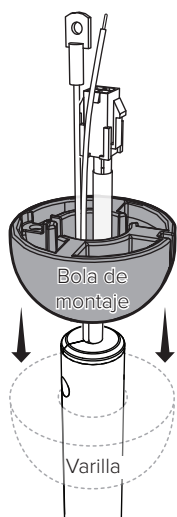


Fig. 5.2

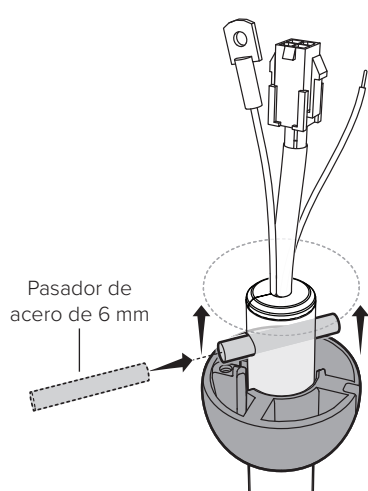
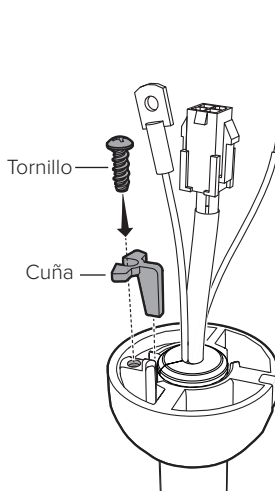


Fig. 5.3

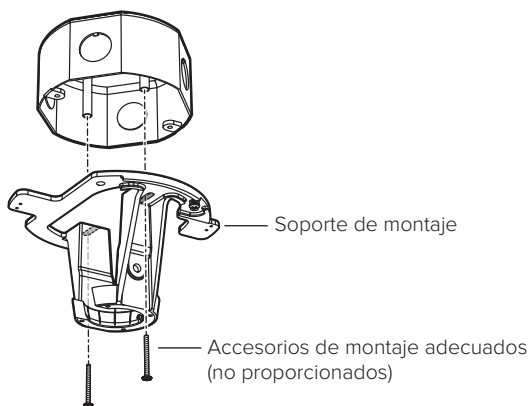


6. Instalación del soporte de montaje

- ⚠ **Antes de instalar el soporte de montaje, desconecte la corriente del lugar donde se colocará el ventilador.**
- ⚠ **ADVERTENCIA: monte solo en una caja de distribución marcada como aceptable para soportar el ventilador.**

Asegure el soporte de montaje a la estructura de montaje con los accesorios pertinentes (no proporcionados) (Fig. 6). **Se muestra la caja de distribución. Su estructura de montaje puede diferir de la que se muestra en la ilustración. Con fines de claridad, se omitió la fuente de alimentación en la ilustración del soporte de montaje.**

Fig. 6

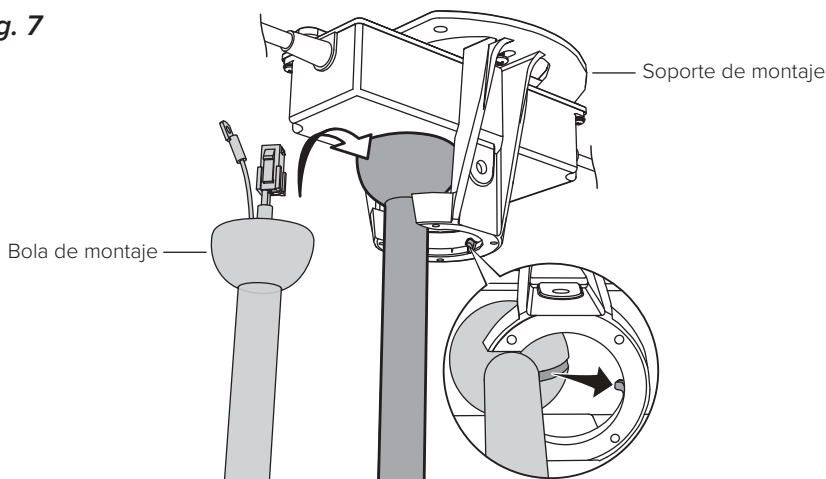


7. Cómo colgar el ventilador

Eleve el ventilador hasta el soporte de montaje. Alinee la pestaña del soporte de montaje con la ranura de la bola de montaje, coloque la bola de montaje en su lugar y permita que el ventilador cuelgue libremente (Fig. 7).

Gire con cuidado la varilla para asegurarse de que esté bien colocada y evitar que se mueva mientras funciona el ventilador.

Fig. 7



8a. Cableado del ventilador (sin filtro EMI)

⚠ Antes de cablear el ventilador, desconecte la corriente del lugar donde se hará la instalación.

⚠ No utilice el ventilador con un interruptor de atenuación o un interruptor de terceros.

Cablee el ventilador como se muestra usando los conectores para cables (Fig. 8a). Conecte el cable de tierra color verde y amarillo al soporte de montaje con el tornillo sin pintar. Conecte el arnés del cableado de la fuente de alimentación al arnés del cableado de la varilla, asegurándose de que el cableado y el cable de seguridad estén orientados en la misma dirección.

Introduzca cuidadosamente los cables en la caja de distribución o estructura del edificio. Asegúrese de que los conectores miren hacia arriba y que los cables estén distribuidos por separado con conductores conectados a tierra en un costado de la caja de distribución o estructura de montaje y los conductores sin conexión a tierra en el otro costado.

Fig. 8a

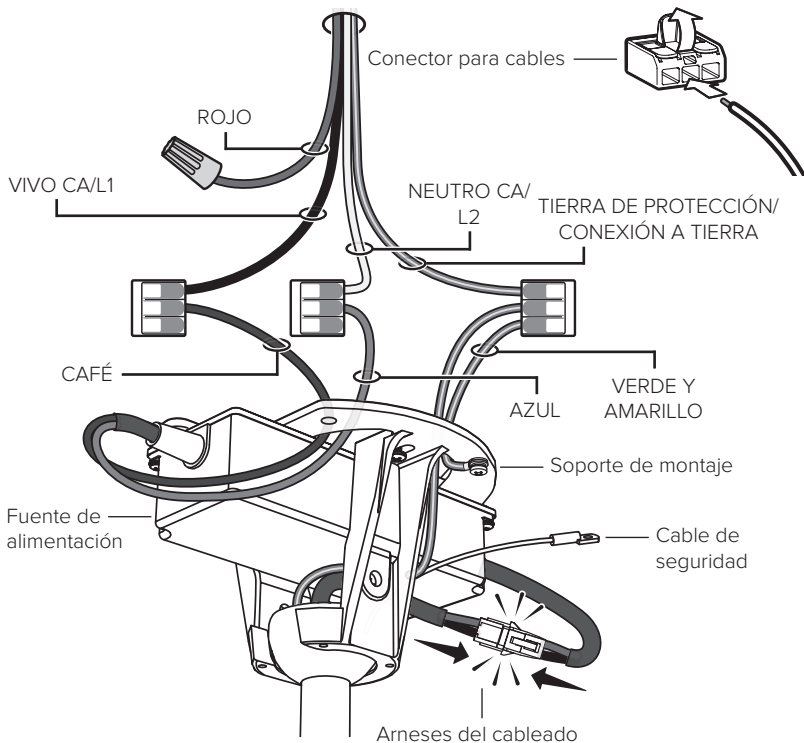


Gráfico de colores de los cables de alimentación

	Norteamérica 100–120 V	Australia	Todas las demás regiones
Vivo CA/L1 Café	Negro	Café o rojo	Café
Neutro CA/L2 Azul	Blanco	Negro o azul claro	Azul
Tierra de protección/ conexión a tierra Verde con amarillo	Verde o cobre desnudo	Verde con amarillo	Verde con amarillo

8b. Cableado del ventilador (con filtro EMI)

⚠ Antes de cablear el ventilador, desconecte la corriente del lugar donde se hará la instalación.

⚠ No utilice el ventilador con un interruptor de atenuación o un interruptor de terceros.

Cablee el ventilador como se muestra usando los conectores para cables (Fig. 8b). Conecte el cable de tierra color verde y amarillo al soporte de montaje con el tornillo sin pintar. Conecte el arnés del cableado de la fuente de alimentación al arnés del cableado de la varilla, asegurándose de que el cableado y el cable de seguridad estén orientados en la misma dirección.

Introduzca cuidadosamente los cables en la caja de distribución o estructura del edificio. Asegúrese de que los conectores miren hacia arriba y que los cables estén distribuidos por separado con conductores conectados a tierra en un costado de la caja de distribución o estructura de montaje y los conductores sin conexión a tierra en el otro costado.

Fig. 8b

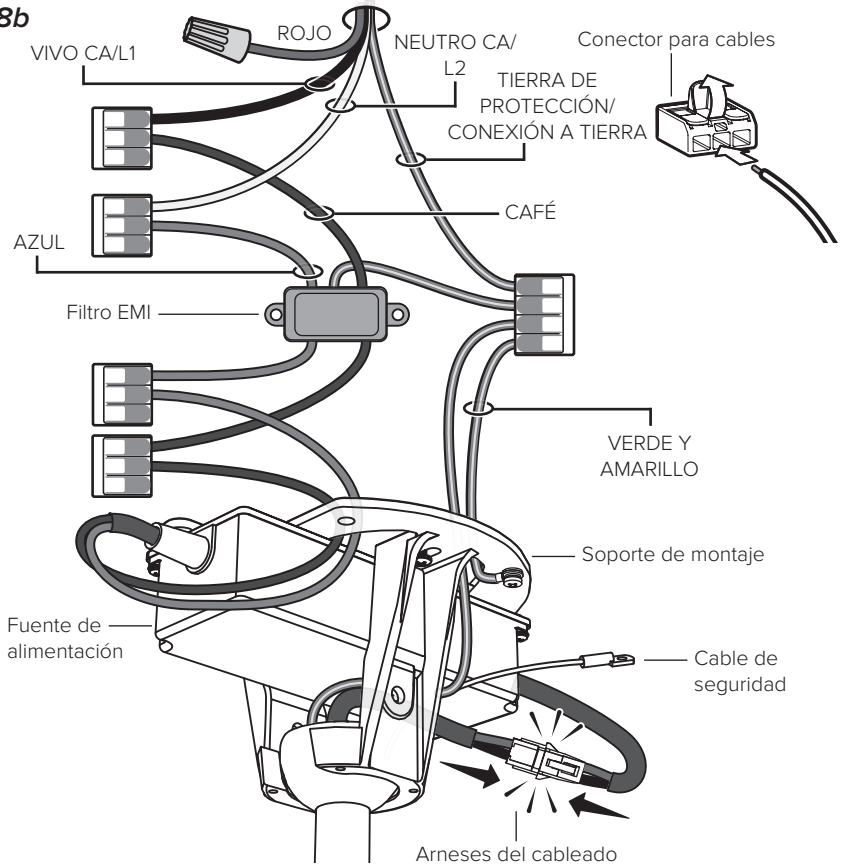


Gráfico de colores de los cables de alimentación

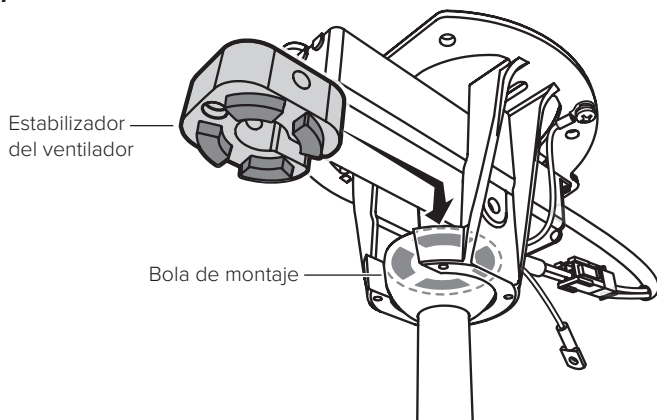
	Norteamérica 100–120 V	Australia	Todas las demás regiones
Vivo CA/L1 Café	Negro	Café o rojo	Café
Neutro CA/L2 Azul	Blanco	Negro o azul claro	Azul
Tierra de protección/ conexión a tierra Verde con amarillo	Verde o cobre desnudo	Verde con amarillo	Verde con amarillo

9. Instalación del estabilizador del ventilador (opcional, solo para ventilador de exteriores)

El estabilizador del ventilador se incluye únicamente si se compra como accesorio de un ventilador de exteriores. Instale el estabilizador en exteriores cubiertos en techos planos únicamente.

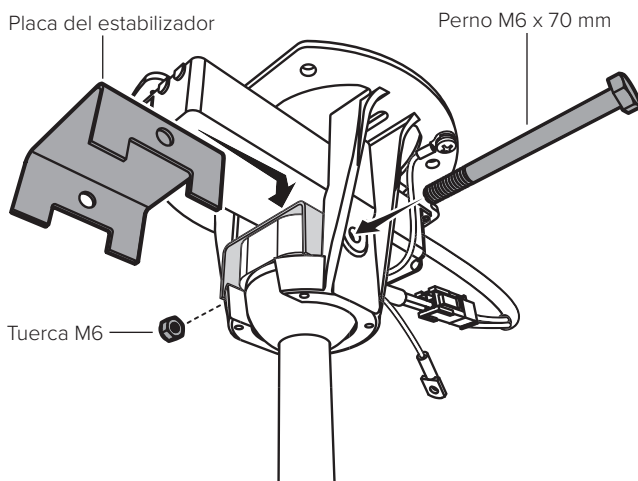
Si compró el kit del estabilizador del ventilador, embone el estabilizador en las muescas de la parte superior de la bola de montaje (Fig. 9.1).

Fig. 9.1



Asegure la placa del estabilizador al estabilizador con un perno M6 x 70 mm y una tuerca M6 (Fig. 9.2).

Fig. 9.2



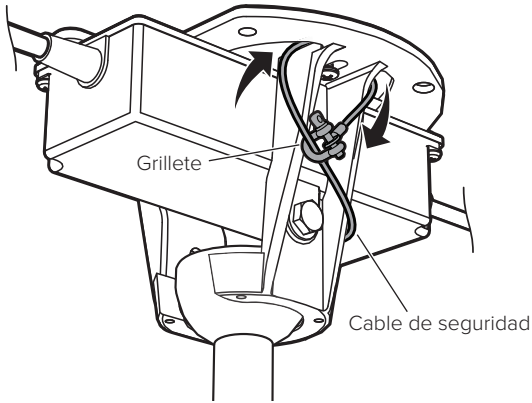
10. Fijación del cable de seguridad

Algunos códigos de seguridad locales exigen que el cable de seguridad se fije directamente a una parte existente de la estructura del edificio (Canadá, Singapur). Es posible que sea necesario instalar materiales estructurales adicionales para proporcionar puntos de fijación. Si tiene dudas, verifique el código de seguridad local.

Soporte de montaje

Haga pasar el cable de seguridad alrededor del soporte de montaje y, luego, asegúrelo con el grillete (Fig. 10.1).

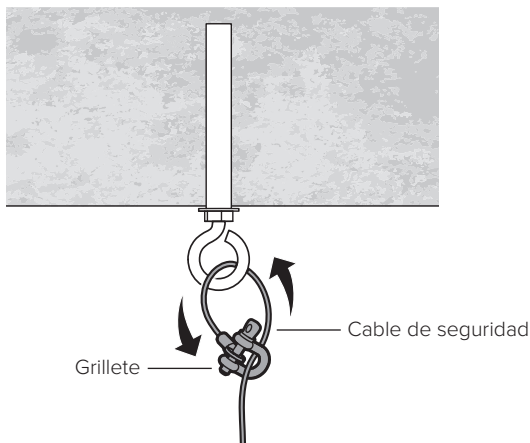
Fig. 10.1



Gancho de anclaje

Haga pasar el cable de seguridad alrededor del gancho de anclaje y, luego, asegúrelo con el grillete (Fig. 10.2).

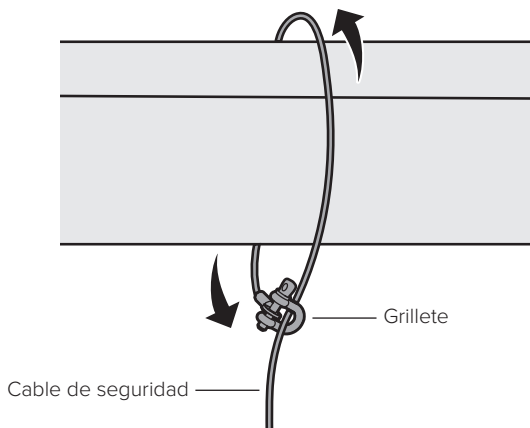
Fig. 10.2



Estructura del edificio

Haga pasar el cable de seguridad alrededor de la estructura del edificio y, luego, asegúrelo con el grillete (Fig. 10.3). Las estructuras aceptables incluyen una viga de madera o una abrazadera de montaje de metal asegurada entre las dos vigas. En algunos casos, es posible que sea necesario instalar material estructural adicional para proporcionar puntos de sujeción.

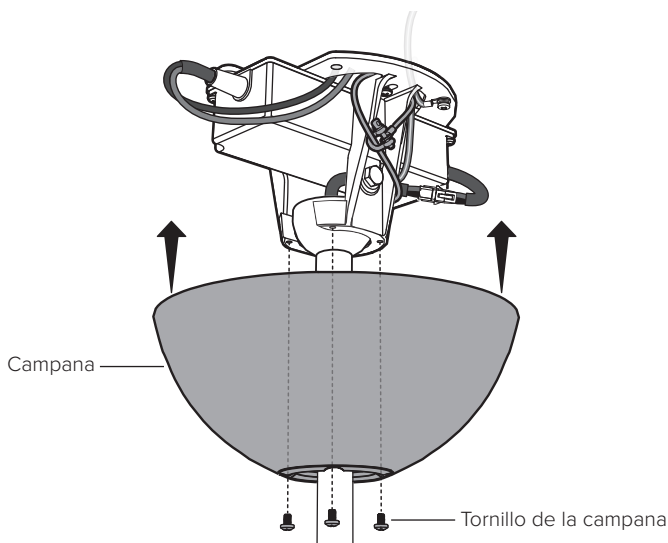
Fig. 10.3



11. Elevación de la campana

Eleve la campana hasta el soporte de montaje, alineando los cuatro orificios de la campana con los del soporte. Fije la campana en el soporte de montaje con los tornillos pintados (Fig. 11). Cerciérese de que todos los cables y el cable de seguridad queden en el interior de la campana.

Fig. 11



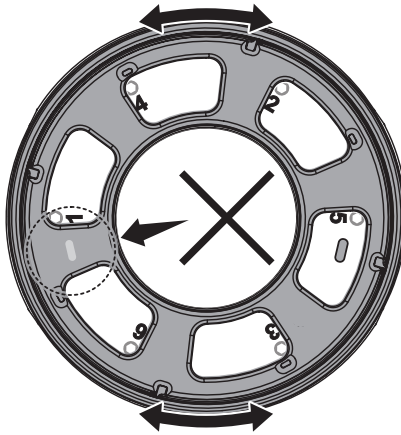
12. Instalación de las aspas aerodinámicas



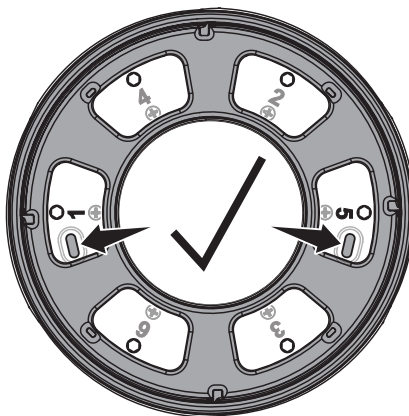
En caso de instalar varios ventiladores, no mezcle las aspas aerodinámicas de diferentes unidades de motor. Cada juego de aspas aerodinámicas debe instalarse en la unidad de motor con la que se envían.

Antes de instalar las aspas aerodinámicas, verifique que los números del 1 al 6 que se encuentran en la parte inferior del ventilador estén centrados en las seis aberturas y que las dos pestañas amarillas junto a los números 1 a 5 estén visibles (*Fig. 12.1*). Puede que tenga que presionar las pestañas amarillas y girar el cubo del ventilador hasta que los seis números estén visibles y centrados.

Fig. 12.1



Cubo mal alineado

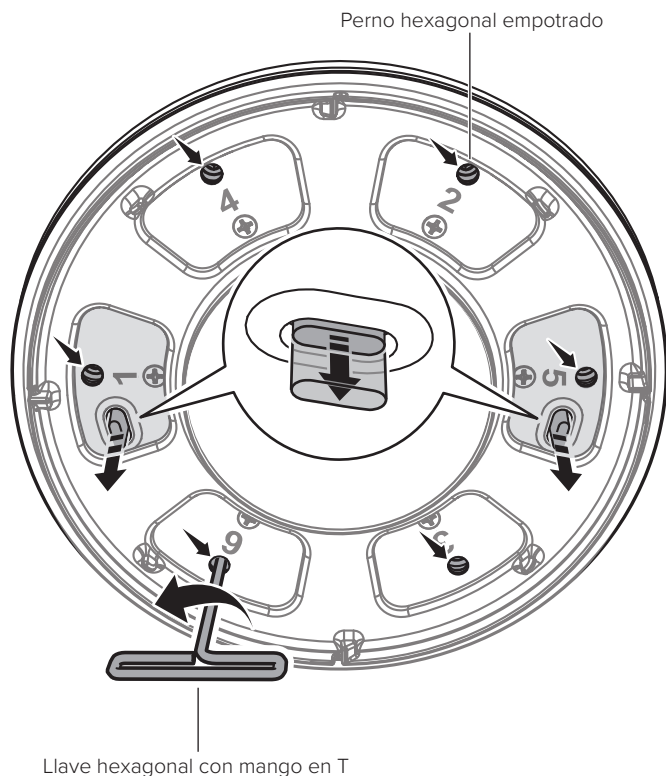


Cubo correctamente alineado

Antes de instalar las aspas aerodinámicas, utilice la llave hexagonal con mango en T proporcionada para aflojar los seis pernos hexagonales empotrados sobre cada número. **NO afloje los seis tornillos Phillips debajo de cada número. Afloje los seis pernos hexagonales empotrados hasta que las dos pestañas amarillas hayan descendido tanto como sea posible (Fig. 12.2). Las aspas aerodinámicas no se pueden insertar en la unidad del motor hasta que los seis pernos hexagonales estén totalmente flojos y hasta que las dos pestañas amarillas estén lo más abajo posible.**

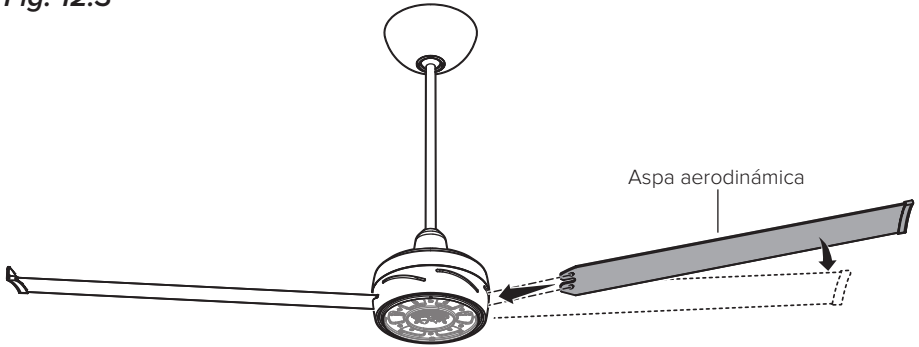
Fig. 12.2

Asegúrese de que las dos pestañas amarillas estén lo más abajo posible.



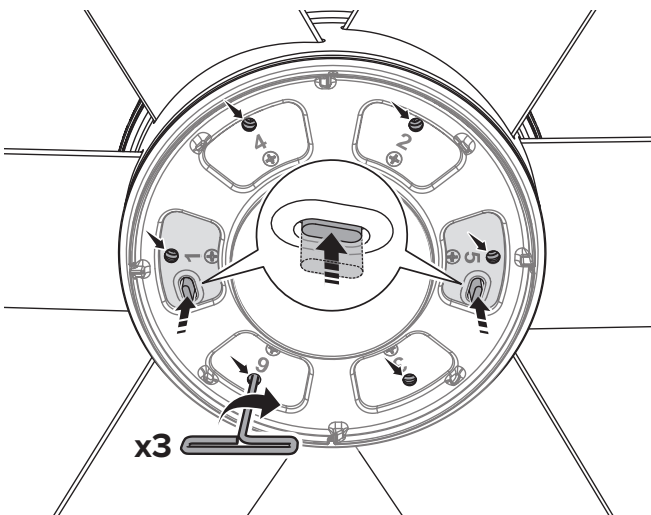
Coloque las aspas aerodinámicas en las ranuras laterales de la unidad del motor tal como se ilustra (Fig. 12.3). Instale cada aspa aerodinámica del lado opuesto del ventilador donde instaló el asa anterior para evitar que el ventilador se incline. Verifique que todas las aspas aerodinámicas estén totalmente asentadas en las ranuras y que la etiqueta numerada de cada aspa coincida con el número en la parte inferior del ventilador. **NO ajuste los seis pernos hexagonales empotrados hasta no haber insertado todas las aspas aerodinámicas.**

Fig. 12.3



Utilice la llave hexagonal con mango en T proporcionada para ajustar los **seis pernos hexagonales empotrados sobre cada número en la parte inferior del ventilador siguiendo la secuencia numerada. NO ajuste ni afloje los seis tornillos Phillips debajo de cada número.** Utilice la llave para girar cada perno hexagonal tres vueltas completas antes de pasar al siguiente perno de la secuencia. Continúe girando cada perno hexagonal tres vueltas siguiendo la secuencia numerada hasta que los seis pernos estén totalmente ajustados y que las pestañas amarillas junto a los números 1 y 5 estén a ras con las aberturas de las pestañas (Fig. 12.4).

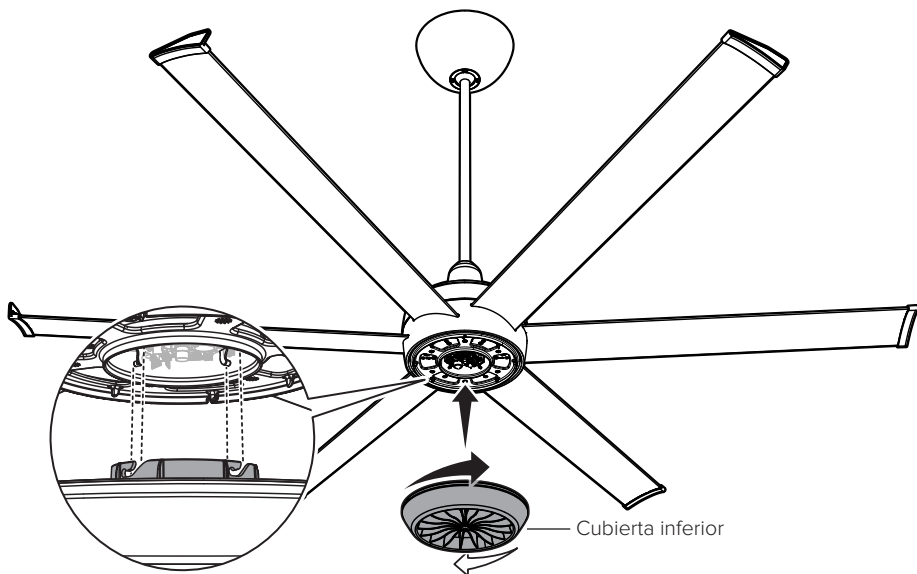
Fig. 12.4



13. Instalación de la cubierta inferior

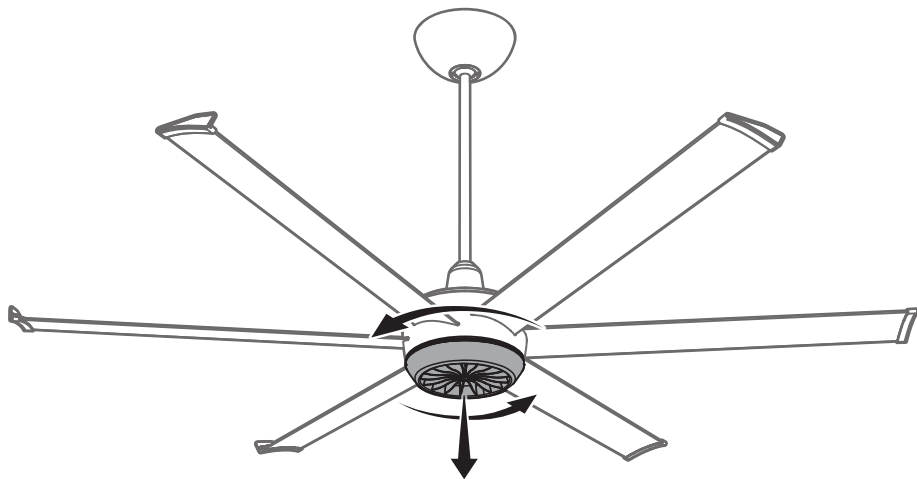
Alinee las ranuras de la cubierta inferior con las lengüetas de la parte inferior del ventilador. Gire la cubierta inferior en el sentido de las agujas del reloj hasta que escuche y sienta un clic en su lugar (*Fig. 13.1*).

Fig. 13.1



Si necesita retirar la cubierta inferior, gírela en sentido contrario a las manecillas del reloj y deslícela hacia abajo (*Fig. 13.2*).

Fig. 13.2



14. Pruebe el ventilador

⚠ PRECAUCIÓN: No exponga el control remoto a la lluvia ni al agua.

¡Felicitaciones! La instalación ya está completa. Encienda la alimentación y, luego, presione cualquier botón del control remoto para emparejarlo con su ventilador. Pruebe su ventilador con el control remoto (Fig. 14). *Nota: Es normal que el ventilador se sacuda hacia adelante y hacia atrás ligeramente durante unos segundos cuando se encienda por primera vez.*

Fig. 14



Aplicación móvil de Big Ass Fans



Descargue la aplicación móvil de Big Ass Fans para agrupar a varios ventiladores, regular sus ajustes y configurar sus preferencias de comodidad para controlarlos con el modo manos libres.

Para obtener instrucciones sobre la integración de dispositivos inteligentes, visite www.bigassfans.com/support

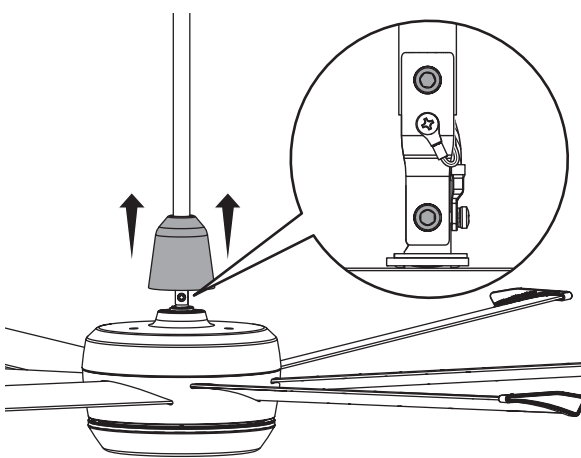
Después de conectar su ventilador a la aplicación, úsela para asegurarse de que el firmware del ventilador esté actualizado.



Modo Kick Ass™

Encender su ventilador a máxima velocidad con modo Kick Ass. Activa modo Kick Ass en la aplicación móvil de Big Ass Fans para aumentar el flujo de aire inmediatamente cuando más lo necesitas.



RESOLUCIÓN DE PROBLEMAS

Problema	Solución
El ventilador se sacude al arrancar.	<p>Esto es normal y puede ocurrir de vez en cuando al ponerlo en marcha. Una ligera sacudida inicial hacia delante y hacia atrás no afecta al funcionamiento del ventilador.</p>
El ventilador no enciende.	<ul style="list-style-type: none">• Asegúrese de que el ventilador esté recibiendo corriente del suministro eléctrico. Revise el disyuntor o panel de fusibles y el interruptor de pared para verificar que estén funcionando.• Asegúrese de que la fuente de alimentación sea adecuada.• Asegúrese de que todos los cables estén conectados de forma segura y de que el ventilador esté debidamente cableado y conectado a tierra.• Asegúrese de que el plástico protector haya sido retirado de la bandeja de baterías del control remoto.
El ventilador se tambalea.	<ul style="list-style-type: none">• Asegúrese de que todos los accesorios de montaje estén fijos y sujetos.• Asegúrese de que todas las aspas aerodinámicas estén alineadas correctamente y bien fijadas al motor.• Si un asa aerodinámica está dañada, comuníquese con el Servicio al cliente. Se deben reemplazar las aspas aerodinámicas como un conjunto. No reemplace las aspas aerodinámicas individuales.• Asegúrese de que la varilla y la unidad del motor queden suspendidos rectos. Levante la cubierta del cableado y coloque los dos pernos y las tuercas en el soporte del motor. Afloje los accesorios ligeramente para permitir que el ventilador quede suspendido recto; luego, vuelva a ajustarlos con la mano hasta que los sienta firmes. Deslice la cubierta del cableado nuevamente hasta su lugar.  <p>El diagrama ilustra el proceso de montaje del ventilador. Muestra la unidad del motor y la varilla de suspensión. Una mano se ve ajustando un tornillo en la parte superior del motor. Una lupa circular muestra un detalle de la conexión de los cables al motor. Se muestran también las herramientas utilizadas: un destornillador y unas pinzas.</p>

<p>El ventilador hace demasiado ruido mientras está funcionando.</p>	<p>Detenga por completo el ventilador.</p> <ul style="list-style-type: none"> • Haga girar suavemente las aspas aerodinámicas de forma manual y asegúrese de que ninguna parte del ventilador esté rozando contra el cubo mientras el ventilador está girando. • Revise todos los accesorios de montaje y del ventilador. Apriételos en caso de estar sueltos.
<p>Debo reiniciar el ventilador.</p>	<p>Oprima y mantenga presionado el botón del control remoto de encendido/apagado hasta que los indicadores LED comiencen a parpadear. Una vez que los LED hayan parpadearado durante tres segundos, oprima nuevamente el botón de encendido/apagado. Cuando los LED hayan dejado de parpadear, significará que el ventilador se ha reiniciado.</p>
<p>Necesito emparejar mi control remoto con un ventilador diferente.</p>	<p>Para emparejar un control remoto con un ventilador diferente, pulse  y  hasta que los LED parpadeen. Asegúrese de que el control remoto esté dentro del alcance del nuevo ventilador y, a continuación, pulse cualquier botón para emparejarlo.</p>

MANTENIMIENTO

⚠ ADVERTENCIA: Riesgo de incendio, choque eléctrico o lesión personal al limpiar o dar mantenimiento al aparato. Desconéctelo de la fuente de alimentación antes de darle servicio.

Realice los siguientes procedimientos de mantenimiento preventivo de forma anual para garantizar un funcionamiento seguro y eficiente de su ventilador.

Inspección del cable de seguridad

Verifique que el cable de seguridad esté instalado correctamente quitando los tornillos de la campana, deslizando la campana hacia abajo por la varilla y revisando el cable de seguridad y los accesorios.

Inspección de los accesorios

Verifique que los accesorios de montaje y los tornillos que fijan las aspas aerodinámicas al cubo del ventilador estén bien asegurados. Apriete los seis tornillos de las aspas en la parte inferior del ventilador de acuerdo con la secuencia de números. Al terminar, repita la secuencia para volver a apretarlos.

Inspección del cableado

Verifique que los conectores de cables estén bien asegurados y que los cables de tierra estén debidamente conectados.

Limpieza de las aspas aerodinámicas

Retire el polvo de las aspas aerodinámicas regularmente. Si el ventilador se ensucia, límpielo con un paño suave. No use solventes, gasolina ni ningún otro limpiador que contenga sustancias químicas. Estos podrían causar deformaciones en la superficie y daños al ventilador.



Para obtener más información sobre el funcionamiento, el mantenimiento y la resolución de problemas, visite www.bigassfans.com/support

CONTÁCTENOS

Estados Unidos

2348 Innovation Drive
Lexington, KY 40511
Estados Unidos
877-244-3267
Fuera de Estados Unidos (+1 859-233-1271)
bigassfans.com

Australia

35 French Street
Eagle Farm, Brisbane
QLD 4009
Australia
+61 1300 244 277
bigassfans.com/au

Fabricante

2348 Innovation Drive
Lexington, KY 40511
Estados Unidos

Centro de fabricación

2251 Innovation Drive
Lexington, KY 40511
Estados Unidos

Devoluciones bajo la garantía y WEEE

2201 Jaggie Fox Way
Lexington, KY 40511
Estados Unidos

Canadá

2180 Winston Park Drive
Oakville, Ontario L6H 5W1
Canadá
1 844-924-4277
bigassfans.com/ca

Singapur

50 Ubi Crescent
#01-01 Ubi TechPark
Singapur 408568
+65 6709 8500
bigassfans.com/sg

Todas las demás regiones

+1 859-410-6286
bigassfans.com

La información incluida en este documento está sujeta a cambios sin previo aviso. Para obtener la información más actualizada, consulte la guía de instalación para imprimir en línea en www.bigassfans.com/support

Google Play es una marca comercial de Google LLC.

www.bigassfans.com/patents · www.bigassfans.com/product-warranties

© 2024 DELTA T LLC. TODOS LOS DERECHOS RESERVADOS.



BIG ASS FANS[®]

bigassfans.com



TRB-INST-454-MUL-01
REV. B 07/25/2024