

### Performance Features

- Tested to meet Grade 1 specification of 800,000 cycles.
- Standard clutching mechanism provides resistance to damage caused by physical force.
- Thru-bolt design and heavy-duty spring tension provides longer performance life and prevents lever sag.
- Concealed mounting screws.
- Compartmentalized packaging allows for quick and easy installation.

### Certifications



- ANSI/BHMA A156.2 Series – Grade 1
- ANSI A117.1 Accessibility Code (ADA Compliant)
- UL/cUL Listed (3 hours) for “A” label single-door applications (4' x 8') (1.219m x 2.438m)
- UL10C/UBC 7-2 (1997) Positive Pressure Rated
- UL10B Pressure Rated
- California State Reference Code (formerly Title 19 – Fire Marshal)
- Hurricane Compliant – Miami-DADE N.O.A. See page 72 for more details.

### Product Specifications

- Handing – All QCL100 Series Levers Locksets are non-handed.
- Door thickness – 1 3/8" - 2" (35mm-51mm) standard.
- Backset – 2 3/4" (70mm) square standard. 2 3/8" and 5" (60mm, 127mm) available.
- Exposed trim – Pressure cast zinc, plated to match finish designation.
- Strike – ANSI Strike 1 1/4" x 4 7/8" (32mm x 124mm) standard. Other strike options also available.
- Door prep – 2 1/8" (54mm) diameter cross bore.
- Latch bolt – Keyed/Exterior 1/2" (12.7mm) steel throw; Interior 1/2" (12.7mm) spring latch.
- Latch faceplate – 1 1/8" x 2 1/4" (29mm x 57mm) standard.
- Single dummy is surface mounted.
- Electrification options available.

### Keying

- 6-pin non-IC brass cylinders. 6 or 7 pin SFIC option available. Many keying options available from our factory to include, but not limited to, master keying, grand master keying and construction keying.
- 2 keys per lockset.
- Offered with the following keyway options: BF-BEST "F" SFIC, KW-Kwikset, WE-Weiser, SC-Schlage, GA-Yale, LA-Sargent, & LC-Less Cylinder.

### Warranty

- Lifetime Mechanical, 3-year finish\* and 1-year electrical  
\*(613/US10B carries no finish warranty)



Sierra (E)



Summit (M)



Slate (A)

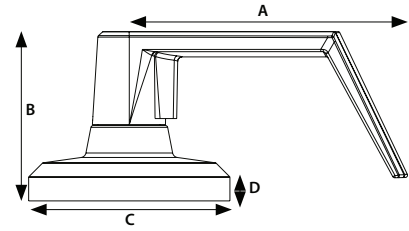
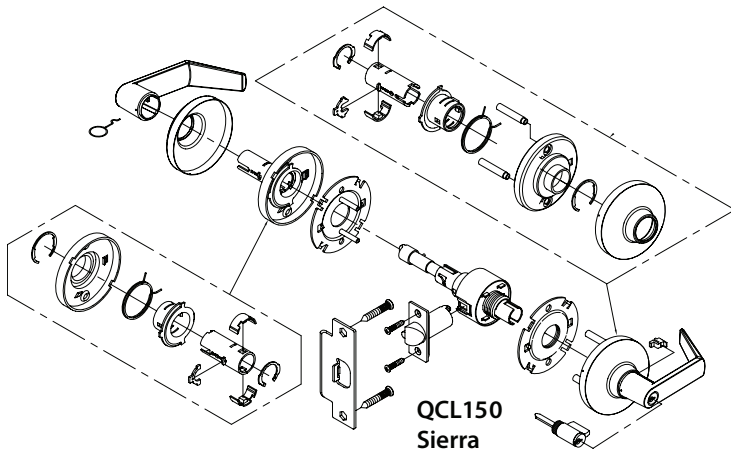
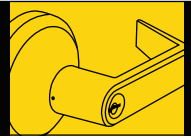
### Functions

ANSI	Series	Description
—	QCL120	Single Dummy
F75	QCL130	Passage
F111	QCL135	Communicating
F76	QCL140	Privacy
F109	QCL150	Entry/Office
F109	QCL151	Entry/Office SFIC
F90	QCL154	Corridor
F90	QCL155	Corridor SFIC
F84	QCL160	Classroom
F84	QCL161	Classroom SFIC
F110	QCL168	Classroom Security
F110	QCL169	Classroom Security SFIC
F86	QCL170	Storeroom
F86	QCL171	Storeroom SFIC
—	QCL192	Electronically Locked
—	QCL193	Electronically Locked SFIC
—	QCL194	Electronically Unlocked
—	QCL195	Electronically Unlocked SFIC

### Finishes

BHMA	Description
605	Bright Brass
613	Oil Rubbed Bronze
619	Satin Nickel
625	Bright Chrome
626	Satin Chrome

QCL  
100 Series Grade 1  
Heavy-Duty Cylindrical Locks



DIMENSIONS				
	A	B	C	D
<b>Sierra</b>	4.895"	2.985"	3.543"	.407"
	124.32mm	75.82mm	90mm	10.34mm
<b>Summit</b>	4.929"	3.034"	3.543"	.407"
	125.20mm	77.06mm	90mm	10.34mm
<b>Slate</b>	4.937"	2.993"	3.543"	.407"
	125.40mm	76mm	90mm	10.34mm

Functions	ANSI		Description	Case Qty
<b>QCL120</b> <i>Single Dummy</i>	—		Dummy trim for one side of door. Used for door pull or as matching inactive trim. No mechanical operation. Surface-mounted single dummy trim.	12
<b>QCL130</b> <i>Passage</i>	F75		Both levers always unlocked and always free for immediate ingress & egress.	6
<b>QCL135</b> <i>Communicating</i>	F111		Blank plate outside. Inside lever always unlocked and always free.	6
<b>QCL140</b> <i>Privacy</i>	F76		Push-button locking. Can be opened from outside with a small screwdriver. Turning inside lever or closing door releases button. Inside lever is always free for immediate egress. Clutch feature disengages outside lever from latch when locked to prevent vandalism.	6
<b>QCL150/151</b> <i>Entry/Office</i>	F109		Turn/push-button locking; pushing and turning button locks outside lever, requiring use of key until button is manually unlocked. Push-button locking; pushing button locks outside lever until unlocked by key or by depressing inside lever. Clutch feature disengages outside lever from latch when locked to prevent vandalism. Inside lever is always free for immediate egress.	6
<b>QCL154/155</b> <i>Corridor</i>	F90		Deadlocking latch bolt operates by lever from either side except when outside lever is locked by key in outside lever, or by push-button on inside. Key in outside lever locks or unlocks outside lever. Operating inside lever releases push-button. Closing door releases push-button. Inside lever always operates latch bolt.	6
<b>QCL160/161</b> <i>Classroom</i>	F84		Key required to either lock or unlock outside lever. Inside lever is always unlocked and free for immediate egress. Clutch feature disengages outside lever from latch when locked to prevent vandalism.sdf	6
<b>QCL168/169</b> <i>Classroom Security</i>	F110		Key in either lever required to lock or unlock outside lever. Inside lever is always unlocked for immediate egress.	6
<b>QCL170/171</b> <i>Storeroom</i>	F86		Outside lever always locked. Entrance by key only. Inside lever unlocked and free for immediate egress. Clutch feature disengages outside lever from latch when locked to prevent vandalism.	6

MECHANICAL LOCKS

## ELECTRIFIED OPTIONS (CONSULT FACTORY FOR LEAD TIMES)

Model #	Description
QCL192	Electronically locked (fail safe). Outside lever continuously locked electrically. Unlocked by key outside, by switch, or by power failure. Inside always free for immediate egress.
QCL193 (SFIC)	
QCL194	Electronically unlocked (fail secure). Outside lever continuously locked until unlocked by key or electric current. Inside always free for immediate egress.
QCL195(SFIC)	
QCL170—X	Request to exit. Switch monitors inside lever rotation. Incorporates into alarm systems or in conjunction with an electromagnet.
QCL171—X(SFIC)	
QCL192—X	Electronically locked (fail safe) with request to exit. Outside lever continuously locked electrically. Unlocked by key outside, by switch, or by power failure. Inside always free for immediate egress. Ability to tie into alarm systems.
QCL193—X(SFIC)	
QCL194—X	Electronically unlocked (fail secure) with request to exit. Outside lever continuously locked until unlocked by key or electric current. Inside always free for immediate egress. Ability to tie into alarm systems.
QCL195—X(SFIC)	
8Q00314	Fail Safe / Fail Secure 24VDC Power Supply

### Electrified Product Specifications

- Consult factory for lead times.
- Electrification prices should be added to list price of lock.
- Standard door prep.
- Deadlocking latch.
- Key override allows key to retract latch bolt momentarily on electronically locked models.
- Inside lever always free for immediate egress.
- Continuous duty solenoids.
- Tie into alarm systems and electromagnetic locks.
- 12V AC/DC with .250 AMP current.  
24V AC/DC with .150 AMP current.
- Specify voltage when ordering.
- Lifetime warranty on lock body; 1-year warranty on electric components.
- Uses power supply 8Q00314.
- Warranty: 1-year electrical.

### Power Supply Specifications

- Consult factory for lead times.
- Provides power for fail safe or fail secure locking devices.
- UL listed, US & Canada, Class 2.
- Filtered and regulated 24DC constant voltage.
- 2 AMP load capacity.
- Over voltage/short-circuit protection.
- Surge suppression for locking devices.
- Interface relay to isolate the locking device current from the control switch.
- Auxiliary 24V DC constant voltage for powering stand-alone devices such as keypads, motion detectors, status indicators, etc.
- Field terminal block set at 45° for ease of installation.
- Can power up to twelve 24V cylindrical fail safe/ fail secure levers – [refer to installation manual for additional details](#).

### Example

If you ordered: QCL192 E626 S4 478S KW5 KA 24V X 625

You would get: Grade 1 Electronically Locked Cylindrical Lock, Sierra Lever, Satin Chrome x Bright Chrome, 2 3/4" Dead Latch Square, ANSI 4 7/8" x 1 1/4" Strike, Kwikset Keyway, Keyed Alike.

With Options: 24-Volt Power and Request to Exit