

Applications

The QCI200 Series Interconnected Levers are designed for multi-family, assisted living, commercial & mixed-use applications where single motion egress is required. These levers deliver premium performance and are designed to withstand the physical abuses of the applied environment.

Performance Features

- Tested to meet Grade 2 specification of 400,000 cycles.
- Single-motion egress provides easy emergency exit.
- Full 1" (25mm) throwbolt with saw-resistant hardened steel roller pin.
- Anti-drill design deadbolt – two (2) ball bearings inserted to prevent drill attacks.
- ADA thumbturn.
- Tapered latch bolt to address warped door concerns.

Certifications



- ANSI/BHMA A156.12 – 1999 Grade 2
- UL/cUL Listed (3 hours) for "A" label single-door applications (4' x 8') (1.219m x 2.438m)
- UL10C/UBC 7-2 (1997) Positive Pressure Rated
- UL10B Pressure Rated
- ANSI A117.1 Accessibility Code (ADA Compliant)

Product Specifications

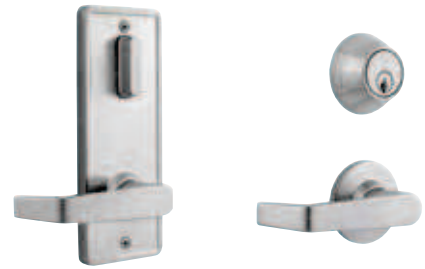
- Door range – 1 ³/₈" - 1 ³/₄" (35mm-44.5mm).
- Heavy-duty cylindrical lock body.
- 4" center-to-center.
- Backset – 2 ³/₄" (70 mm) standard. 2 ³/₈" (60mm) available.
- Exposed trim – Wrought brass or bronze with cast zinc lever.
- Strikes – "T" strike 1 ¹/₈" x 2 ³/₄" standard for lever, deadbolt strike 1 ¹/₈" x 2 ³/₄" standard. Other strike options also available.
- Latch bolt – Keyed 1/2" (13mm) steel throw with auxiliary latch, passage 1/2" (13mm) spring latch.
- Handing – All QCI200 locksets are non-handed.
- Standard door prep: 2 ¹/₈" cross bore (54mm).
- Latch hole – 1" diameter edge bore.
- Rose diameter – 2 ¹/₂" (63mm).
- Inside escutcheon – 3" x 8" (82.5mm x 203mm).
Optional exterior escutcheon – 3 ¹/₄" x 8" (82.5mm x 203mm).

Keying

- 6-pin non-IC brass cylinders. 6 or 7 pin SFIC option available. Many keying options available from our factory to include, but not limited to, master keying, grand master keying and construction keying. Small format interchangeable core cylinder also available.
- 2 keys per lockset.
- Offered with the following keyway options: SMT-SmartKey, KW-Kwikset, WE-Weiser, SC-Schlage, GA-Yale, LA-Sargent, BF-BEST "F" SFIC, & LC-Less Cylinder.

Warranty

- Lifetime Mechanical, 3-year finish* and 1-year electrical



Sierra (E) – Single-Locking



Summit (M) – Double-Locking



Slate (A) – Indicator

Functions

ANSI	Series	Description
F95	QCI230	Single-Locking (Passage Lever)
F95	QCI231	Single-Locking SFIC (Passage Lever)
F97	QCI250	Double-Locking (Entry Lever)
F97	QCI251	Double-Locking SFIC (Entry Lever)
—	QCI285	Indicator (Passage Lever)

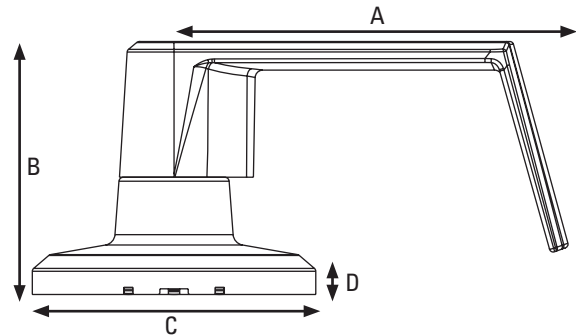
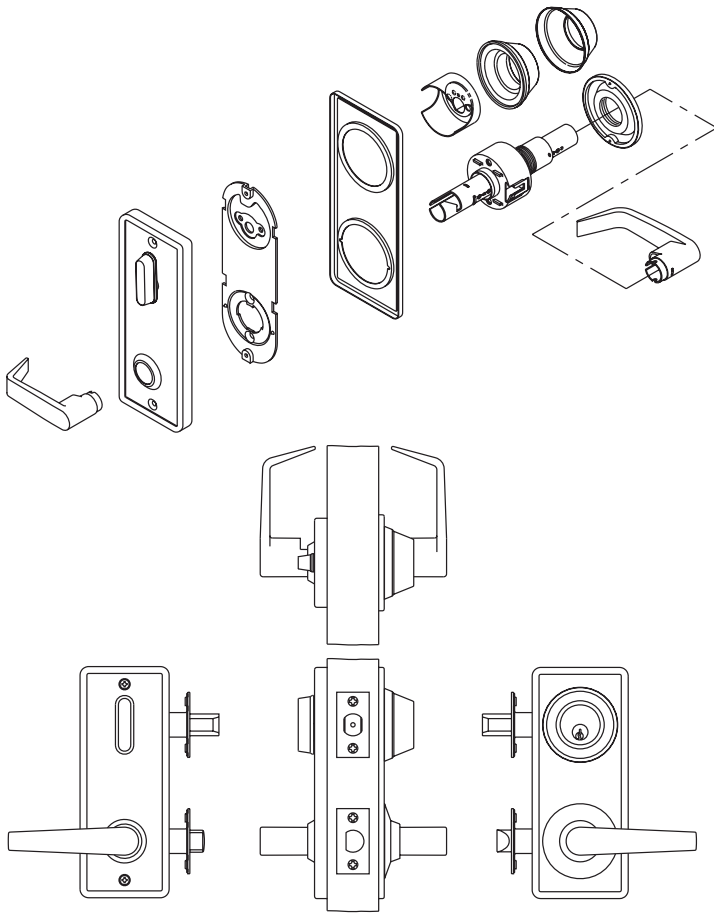
Finishes

BHMA	Description
605	Bright Brass
613	Oil Rubbed Bronze
619	Satin Nickel
626	Satin Chrome

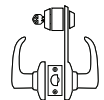
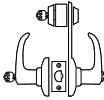
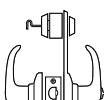
*(613/US10B carries no finish warranty)

MECHANICAL LOCKS

QCI 200 Series Grade 2 Standard-Duty Interconnected Locks



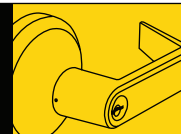
DIMENSIONS				
	A	B	C	D
Sierra	3.96"	2.25"	2.50"	.375"
	100.58mm	57.15mm	63.50mm	9.52mm
Summit	4.0"	2.20"	2.50"	.375"
	101.60mm	55.88mm	63.50mm	9.52mm
Slate	4.47"	4.67"	2.50"	.375"
	113.50mm	118.60mm	63.50mm	9.52mm

Functions	ANSI		Description	Case Qty
QCI230/231* <i>Single-Locking (Passage Lever)</i>	F95		Latch bolt operated by lever from either side. Rotating turn from inside or key from outside extends deadbolt to locked position. Both deadbolt and latch bolt are retracted simultaneously to unlock position by operating inside lever.	6
QCI250/251** <i>Double-Locking (Entry Lever)</i>	F97		Deadlocking latch bolt is operated by lever from either side except when outside lever is made inoperable by locking device inside. When outside lever is locked, deadlocking latch bolt is operated by key outside. Inside locking device is manually operated to unlock outside lever. Rotating turn from inside or key from outside extends deadbolt to locked position. Operating inside lever bolt retracts both deadbolt and deadlocking latch simultaneously. Closing door shall not release locking device inside.	6
QCI285 <i>Indicator (Passage Lever)</i>	—		Latch bolt operated by lever from either side. Rotating turn from inside extends deadbolt to locked position. Both deadbolt and latch bolt are retracted simultaneously to unlock position by operating inside lever. Outside indicator visually shows red closed padlock for locked/in-use, green open door padlock for unlocked/vacant. Emergency key included.	6

NOTES: *SmartKey available on QCI230 functions only.

**QCI251 available at extended lead time. Consult factory.

How to Order
 QCI 200 Series Grade 2
 Standard-Duty Interconnected Locks



30	Single-Locking (Passage Lever)
31	Single-Locking SFIC (Passage Lever)
50	Double-Locking (Entry Lever)
51	Double-Locking SFIC (Entry Lever)
85	Indicator (Passage Lever)

605	Bright Brass
613	Oil Rubbed Bronze
619	Satin Nickel
626	Satin Chrome

BF	BEST "F" SFIC
KW	Kwikset "KW"
WE	Weiser "E"
SC	Schlage "C"
GA	Yale "GA"
LA	Sargent "LA"
LC	Less Cylinder

Base Part Number								
Series	Function	Design	Finish	Latch	Strike	Keyway	# Of Pins	Keying
QCI2	31	E	626	NR4	118F	F	6	KD

E	Sierra
M	Summit
A	Slate

KD	Keyed Different
KA	Keyed Alike
SK	Special Keying
	-Construction Keyed
	-Construction Master Keyed
	-Maison Keyed
	-Master Keyed
	-Grand Master Keyed
	-Great Grand Master Keyed
ZB	Zero Bitted

Order w/Lock	Lever & Deadbolt Latch
NR4	Narrow Radius 2-3/4
NS4	Narrow Square 2-3/4
NS8	Narrow Square 2-3/8
R4	Radius 2-3/4
S4	Square 2-3/4
S8	Square 2-3/8

Order w/Lock	Lever Latch	Deadbolt Latch
NR8	Narrow Radius 2-3/8	Narrow Radius 2-3/4
R8	Radius 2-3/8	Radius 2-3/4

Order w/Lock	Lever Strike	Deadbolt Strike
118F	118F	DBS
478S	478S	DBS
FLS	FLS	DBS
FLR	FLR	DBS
FLS2	FLS	FLS
FLR2	FLR	FLR

Example

If you ordered: QCI230 E626 NR4 118F F6 KD

You would get: Grade 2 Interconnect Single Lock, Sierra Lever, Satin Chrome, 2³/₄" Narrow Radius Latches, "T" Strike with Standard Deadbolt Strike, Standard "F" Keyway, Keyed Different.

MECHANICAL LOCKS