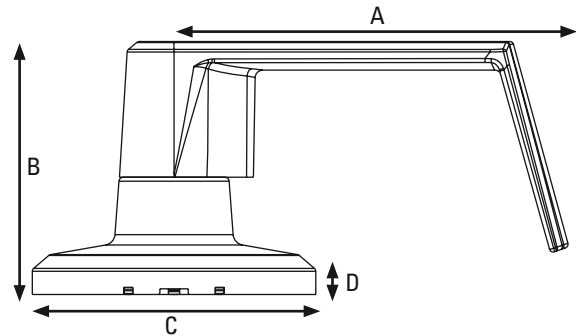
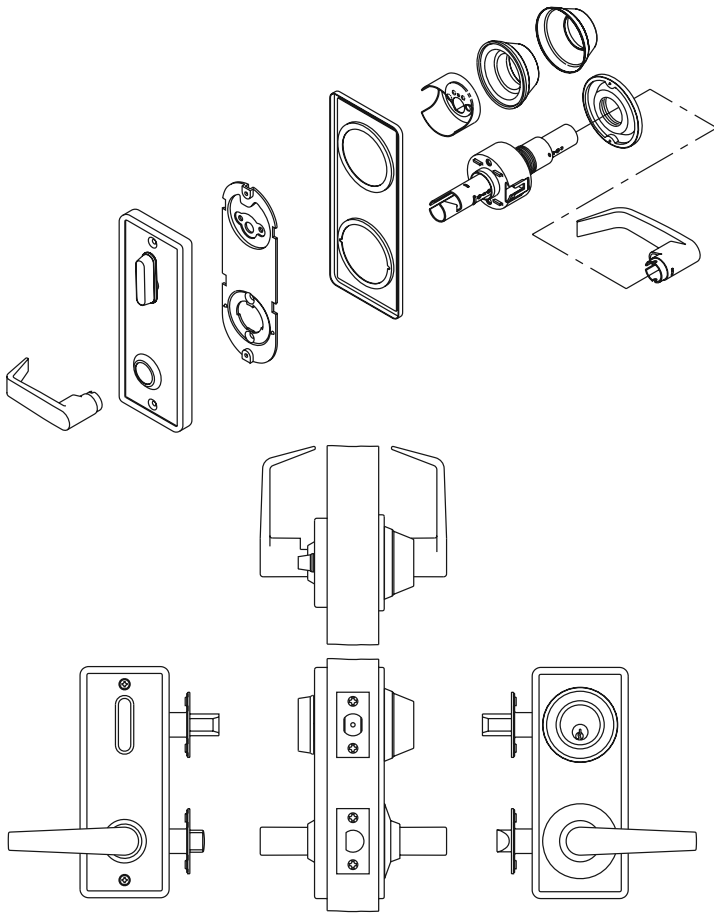


MECHANICAL LOCKS

QCI
200 Series Grade 2
Standard-Duty Interconnected Locks



DIMENSIONS				
	A	B	C	D
Sierra	3.96"	2.25"	2.50"	.375"
	100.58mm	57.15mm	63.50mm	9.52mm
Summit	4.0"	2.20"	2.50"	.375"
	101.60mm	55.88mm	63.50mm	9.52mm
Slate	4.47"	4.67"	2.50"	.375"
	113.50mm	118.60mm	63.50mm	9.52mm

Functions	ANSI		Description	Case Qty
QCI230/231* <i>Single-Locking (Passage Lever)</i>	F95		Latch bolt operated by lever from either side. Rotating turn from inside or key from outside extends deadbolt to locked position. Both deadbolt and latch bolt are retracted simultaneously to unlock position by operating inside lever.	6
QCI250/251** <i>Double-Locking (Entry Lever)</i>	F97		Deadlocking latch bolt is operated by lever from either side except when outside lever is made inoperable by locking device inside. When outside lever is locked, deadlocking latch bolt is operated by key outside. Inside locking device is manually operated to unlock outside lever. Rotating turn from inside or key from outside extends deadbolt to locked position. Operating inside lever bolt retracts both deadbolt and deadlocking latch simultaneously. Closing door shall not release locking device inside.	6
QCI285 <i>Indicator (Passage Lever)</i>	—		Latch bolt operated by lever from either side. Rotating turn from inside extends deadbolt to locked position. Both deadbolt and latch bolt are retracted simultaneously to unlock position by operating inside lever. Outside indicator visually shows red closed padlock for locked/in-use, green open door padlock for unlocked/vacant. Emergency key included.	6

NOTES: *SmartKey available on QCI230 functions only.

**QCI251 available at extended lead time. Consult factory.