

EXIT DEVICES

QET
100 Series Grade 1
Heavy-Duty Exit Trims

Escutcheon Trims Sierra (E)

Available in: 605, 613*, 626



Escutcheon Trims Summit (M)

Available in: 605, 613*, 626



Escutcheon Trims Slate (A)

Available in: 605, 613*, 626



Model/Series	Functions	Style	Cylinder Type	Qty
QET120	Dummy Lever Escutcheon	E/M/A	—	6
QET130	Passage Lever Escutcheon	E/M/A	—	6
QET160	Keyed Lever Escutcheon (Classroom)	E/M/A	Mortise	6
QET170	Night Latch Lever Escutcheon (Storeroom)	E/M/A	Rim	6

NOTES:

Cylinders ordered separately.

*613 Finish trims match 313 finish exit devices.

Escutcheon Trims Pull & Flat Plates

Available in: 605, 626, 690



Dummy Pull
QET125



Thumbpiece
QET165



Dummy Thumbpiece
QET167



Night Latch Pull
QET175

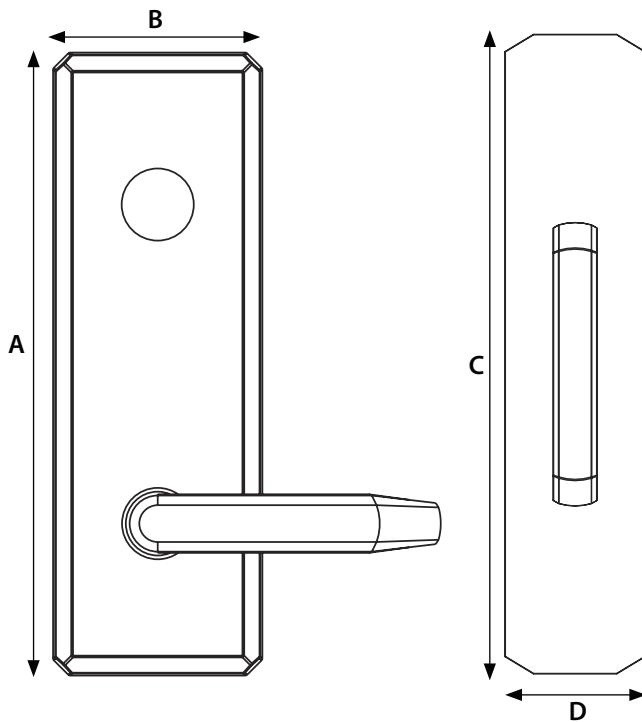


Flat Plate
QET190

Model/Series	Functions	Style	Cylinder Type	Qty
QET125	Dummy Pull Escutcheon	L	—	6
QET165	Thumbpiece Pull Escutcheon	L	Mortise	6
QET167	Dummy Thumbpiece Pull Escutcheon	L	—	6
QET175	Night Latch Pull Escutcheon	L	Rim	6
QET190	Flat Plate Escutcheon	L	—	6

NOTES:

Cylinders ordered separately.



DIMENSIONS			
A	B	C	D
9.78"	3.28"	14"	3"
248.60mm	83.31mm	355.60mm	76.20mm

Functions	Description	
QET120	Dummy Lever Escutcheon	Used for door pull when device is dogged or as matching inactive trim. No mechanical operation.
QET125	Dummy Pull Escutcheon	Used for door pull when device is dogged or as matching inactive trim. No mechanical operation.
QET130	Passage Lever Escutcheon	Levers always unlocked and always free for immediate ingress.
QET160	Keyed Lever Escutcheon	Key locks & unlocks lever (operates same as classroom function).
QET165	Thumbpiece Pull Escutcheon	Key locks & unlocks thumbpiece (operates same as classroom function).
QET167	Dummy Thumbpiece Pull Escutcheon	Used for door pull when device is dogged or as matching inactive trim. No mechanical operation. Matches QET165.
QET170	Night Latch Lever Escutcheon	Lever always locked, key retracts latch for entrance (operates same as storeroom function).
QET175	Night Latch Pull Escutcheon	Outside always locked, key retracts latch for entrance (operates same as storeroom function).
QET190	Flat Plate Escutcheon	Blank trim plate—used to cover existing door prep for an exit-only application.

20	DL – Dummy Trim Lever
25	DP – Dummy Trim Pull
30	PL – Passage Lever
60	KL – Keyed Lever
65	TP – Thumbpiece Escutcheon
67	DT – Dummy Thumbpiece Escutcheon
70	NL – Night Latch Lever Escutcheon
75	NL – Night Latch Pull Escutcheon
90	Flat Plate

605	Bright Brass
613†	Oil Rubbed Bronze
626	Satin Chrome
690†	Painted Duranodic Bronze

KD	Keyed Different
KA	Keyed Alike
CK	Construction Keyed
CMK	Construction Master Keyed
MAIS	Maison Keyed
MK	Master Keyed
GMK	Grand Master Keyed
GGMK	Great Grand Master Keyed
ZB	Zero Bitted

Base Part Number						
Series	Function	Design	Finish	Keyway	Keying	Notes
QET1	60	M	626	KW	KD	XXXX

QET1xx	Grade 1 Architectural Exit Trim
--------	---------------------------------

E	Sierra
M	Summit
A	Slate

KW	Kwikset "KW"*
WE	Weiser "E"*
SC	Schlage "C"*
GA	Yale "GA"
LA	Sargent "LA"
BF	Best "F" (SFIC)
LC	Less Cylinder

Example

If you ordered: QET160 M 626 KW KD

You would get: Grade 1 Escutcheon Trim Lever, Summit design, Satin Chrome, Kwikset Keyway, Keyed Different. This trim matches to the QED100 Series Exit Devices.

NOTES:

†613 finish available for lever escutcheon trims; 690 finish available for escutcheon pull trims.

*Available in 6-pin and 5-pin. 6-pin is standard.