



WCS1 Series

This elegant low-profile pyramidal hood with powerful ventilation can meet the challenges of any home chef while featuring a traditional appearance that fits into practically any kitchen.

- Powered by an internal blower system with 650 MAX Blower CFM. Very quiet less than 1 sone at normal setting.
- SmartSense® uses infrared sensors to monitor the heat coming from your range and then automatically adjusts your hood's fan speed to eliminate heat, CO₂, and other cooking effluents.
- Voice activation provides hands-free operation of your range hood. Control power, fan speed, and lights using only your voice.
- Available in stainless steel and black stainless steel finishes.
- The capacitive touch slider offers precise control from beneath your range hood, allowing the hood's elegant lines to inspire.
- Heat-resistant rectangular LED modules provide excellent task lighting.
- Dishwasher-safe hybrid baffle filters effectively capture grease.
- Code Ready™ Technology (CRT) provides the ability to reduce airflow to 300 or 400 CFM to address local codes or make-up air requirements.
- Easy, single-person installation.



best®

PERFORMANCE THAT INSPIRES

BESTRANGEHOODS.COM • BESTRANGEHOODS.CA

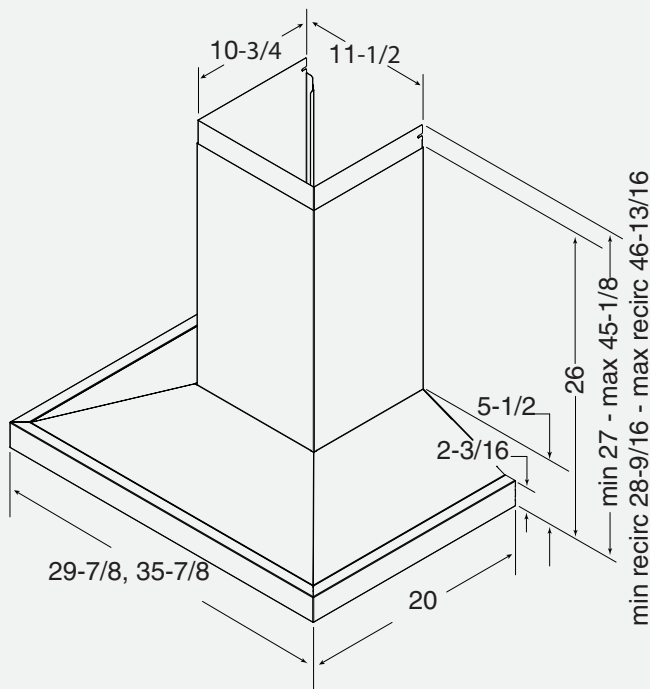
At **BEST**, we make high performance range hoods that perform beautifully. Astonishingly quiet. Impressively effective. Remarkably efficient. And perfectly suited for the most distinguished kitchens.

Whether it's the centerpiece of the room or letting its surroundings shine, **BEST** is where high-end performance inspires.



Installation height above the cooking surface: 24"-30"

Telescopic flue accommodates ceiling heights from 8' to 9'. Flue extension for higher ceilings is also available. Upper flue can be reversed to hide louvers in some applications depending on installation heights.



Dimensions shown in inches.



HOOD SIZES*

Internal Blower, Single - Depth: 20"

Stainless Steel

30" WCS1306SS

36" WCS1366SS

Black Stainless Steel

30" WCS1306BLS

* For exact dimensions, please refer to the technical drawing of each model.

FEATURES

Finish	Brushed Stainless Steel (Grade 430) or Black Stainless Steel
Lighting Type	LED Modules (6W per module, color temp 3000K)
Number of Modules	2
Lighting Levels	4
Lighting Modules Included	Yes
Control Type	4-speed Capacitive Touch Slider
Control Features	Voice Control, Delay Off, SmartSense®, Heat Sentry™, Filter Clean Reminder
Remote Control	BEST Kitchen app
Filter Type	Hybrid Baffle Filters
Non-ducted Capability	Yes

HOOD BLOWER INCLUDED WCS1

Internal	
Max Blower CFM*	650

ACCESSORIES

ADA Kit	HAWRK5
Flue Extension (9' to 11' ceiling height)	AEWCST1SS (not available in Black Stainless finish) (ducted—non-ducted)
Recirculation Kit	ANKWCPST1
Universal MUA Damper	MD6TU, MD8TU, MD10TU (Requires Fresh Air Inlet)
Fresh Air Inlet	641FA, 643FA, 610FA

INSTALLATION REQUIREMENTS

Amps @ 120V: Internal Blower	3.7
Electrical Connection	Direct Wire
Duct Size:	3-1/4" x 10" - rectangular 6" - round 8" - round
Duct Direction	Vertical or horizontal
Backdraft Damper	Included (6", 8" and 3-1/4" x 10")

* MAX Blower CFM indicates the performance of the hood blower in open air and is not HVI certified.

HVI PERFORMANCE

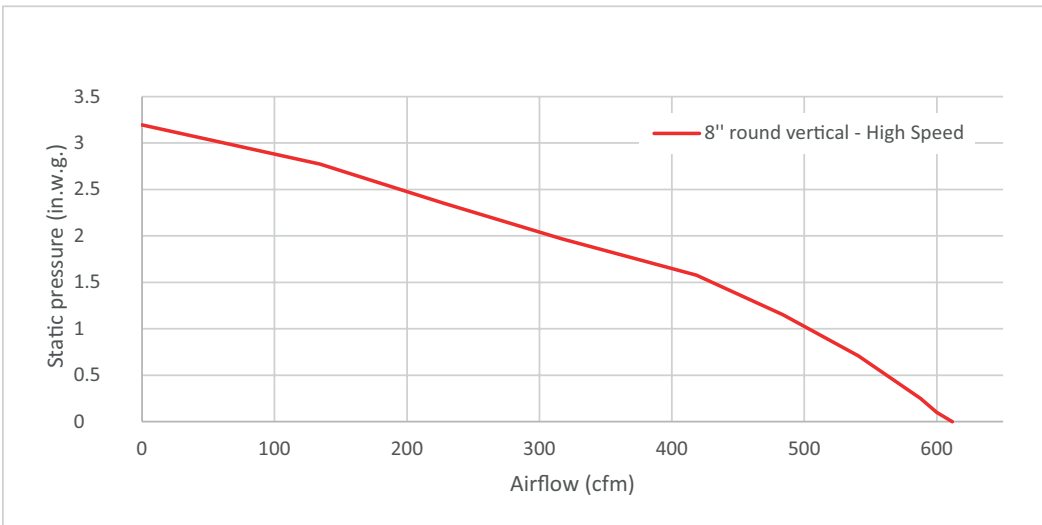
INTERNAL BLOWER - WCS1

SONES				
	Low	Med. Low	Med. High	High
8" round vertical	0.3	1.0*	3.5*	11.0
6" round vertical	<0.3	1.1*	3.5*	11.5
3-1/4" x 10" vertical	<0.3	0.8*	3.0*	10.5
3-1/4" x 10" horizontal	<0.3	0.9*	3.0*	10.5

CFM					
	Low	Med. Low	Med. High	High 0.25 in. w.g.	High 0.1 in. w.g.
8" round vertical	120	190*	300*	580	600
6" round vertical	120	180*	280*	540	560
3-1/4" x 10" vertical	130	180*	290*	570	590
3-1/4" x 10" horizontal	110	170*	290*	570	590

* Where noted performance rating is not HVI certified but was established in accordance with HVI Standardized test procedure.

AIRFLOW PERFORMANCE



HVI 2100 CERTIFIED HVI-2100 CERTIFIED RATINGS comply with new testing technologies and procedures prescribed by the Home Ventilating Institute, for off-the-shelf products, as they are available to consumers. Product performance is rated at 0.1 and 0.25 in. static pressure at high speed based on tests conducted in an HVI-approved state-of-the-art test laboratory. Sones are a measure of humanly-perceived loudness, based on laboratory measurements.