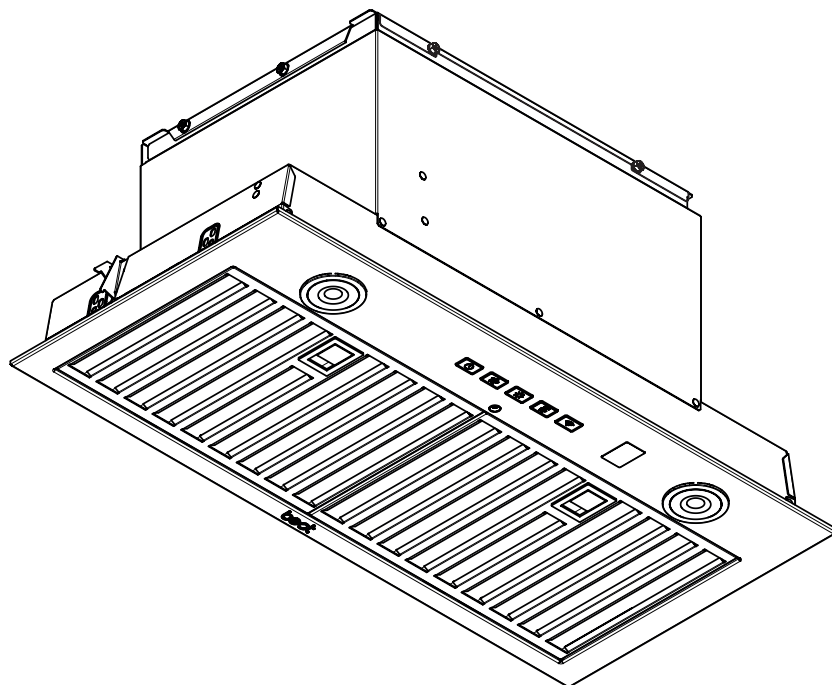




Powerpack Inserts

HBN1 Series

INSTALLATION, USE & CARE INSTRUCTIONS



Serial number:

1105023D



Safety **3-4**

Installation **5-15**

 Recommended Tools and Accessories 5

 Contents 5

 Install Ductwork (Ducted Installations Only) 5

 Remove the Adapter/Damper 6

 Remove the Cabinet Brackets 6

 Prepare the Cabinet 7-9

 Prepare the Unit 10-11

 Install the Unit 12-14

 Connect Ductwork 14

 Wiring 15

 Install the Filters 15

Operation **16-19**

 Soft-Touch Control 16

 WiFi-Bluetooth® 17-18

 Heat Sentry™ 19

 Code Ready™ Technology Activation 19

Maintenance and Cleaning **20**

 Hybrid Baffle Filters 20

 Non-Ducted Recirculation Filters 20

 Stainless Steel Cleaning 20

Wiring Diagram **21**

Service Parts **22**

Warranty **23**

To register your product, please visit our website:
 In the United States - www.bestrangehoods.com
 In Canada - www.bestrangehoods.ca

For Technical Support, call:
 In the United States - 800-558-1711
 In Canada - 800-567-3855

**Installer: Leave this manual with the homeowner.
 READ AND SAVE THESE INSTRUCTIONS**

⚠ Intended for domestic cooking only ⚠

⚠ WARNING



TO REDUCE THE RISK OF FIRE, ELECTRIC SHOCK, OR INJURY TO PERSONS, OBSERVE THE FOLLOWING:



- Use this unit only in the manner intended by the manufacturer. If you have questions, contact the manufacturer at the address or telephone number listed in the warranty.
- Before servicing or cleaning unit, switch power off at service panel and lock the service disconnecting means to prevent power from being switched on accidentally. When the service disconnecting means cannot be locked, securely fasten a prominent warning device, such as a tag, to the service panel.
- Installation work and electrical wiring must be done by a qualified person(s) in accordance with all applicable codes and standards, including fire-rated construction codes and standards.
- Sufficient air is needed for proper combustion and exhausting of gases through the flue (chimney) of fuel burning equipment to prevent backdrafting. Follow the heating equipment manufacturer's guideline and safety standards such as those published by the National Fire Protection Association (NFPA), and the American Society for Heating, Refrigeration and Air Conditioning Engineers (ASHRAE), and the local code authorities.
- When cutting or drilling into wall or ceiling, do not damage electrical wiring and other hidden utilities.
- Ducted fans must always be vented to the outdoors.
- Do not use this unit with any separate solid-state speed control device.
- To reduce the risk of fire, use only metal ductwork.
- This unit must be grounded.
- When installing, servicing or cleaning the unit, it is recommended to wear safety glasses and gloves.
- When applicable local regulations comprise more restrictive installation and/or certification requirements, the aforementioned requirements prevail on those of this document and the installer agrees to conform to these at his own expense.

⚠ WARNING



TO REDUCE THE RISK OF A RANGE TOP GREASE FIRE:

- A. Never leave surface units unattended at high settings. Boilovers cause smoking and greasy spillovers that may ignite. Heat oils slowly on low or medium settings.
- B. Always turn hood ON when cooking at high heat or when flambing food (i.e. Crepes Suzette, Cherries Jubilee, Peppercorn Beef Flambé).
- C. Clean ventilating fans frequently. Grease should not be allowed to accumulate on fan or filter.
- D. Use proper pan size. Always use cookware appropriate for the size of the surface element.

TO REDUCE THE RISK OF INJURY TO PERSONS IN THE EVENT OF A RANGE TOP GREASE FIRE, OBSERVE THE FOLLOWING:*

1. SMOTHER FLAMES with a close-fitting lid, cookie sheet, or metal tray, then turn off the burner. BE CAREFUL TO PREVENT BURNS. If the flames do not go out immediately, EVACUATE AND CALL THE FIRE DEPARTMENT.
2. NEVER PICK UP A FLAMING PAN - You may be burned.
3. DO NOT USE WATER, including wet dishcloths or towels - violent steam explosion will result.
4. Use an extinguisher ONLY if:
 - A. You know you have a Class ABC extinguisher and you already know how to operate it.
 - B. The fire is small and contained in the area where it started.
 - C. The fire department is being called.
 - D. You can fight the fire with your back to an exit.

* Based on "Kitchen Fire Safety Tips" published by NFPA.

⚠ CAUTION



- For indoor residential use only.
- To reduce risk of fire and to properly exhaust air, be sure to duct air outside. Do not vent exhaust air into spaces within walls or ceilings or into attics, crawl spaces, or garages.
- Take care when using cleaning agents or detergents.
- Avoid using food products that produce flames under the Range Hood.
- For general ventilating use only. Do not use to exhaust hazardous or explosive materials and vapors.
- To avoid motor bearing damage and noisy and/or unbalanced impellers, keep drywall spray, construction dust, etc. off power unit.
- Your hood motor has a thermal overload which will automatically shut off the motor if it becomes overheated. The motor will restart when it cools down. If the motor continues to shut off and restart, have the hood serviced.
- The bottom of the hood MUST NOT BE LESS than 24" and recommended at a maximum of 30" above the cooktop for best capture of cooking impurities.
- Use only with range hood cord connection kits that have been investigated and found acceptable for use with this model range hood.
- Please read specification label on product for further information and requirements.

For ADA compliance installation guidelines, please type the model number into our website.

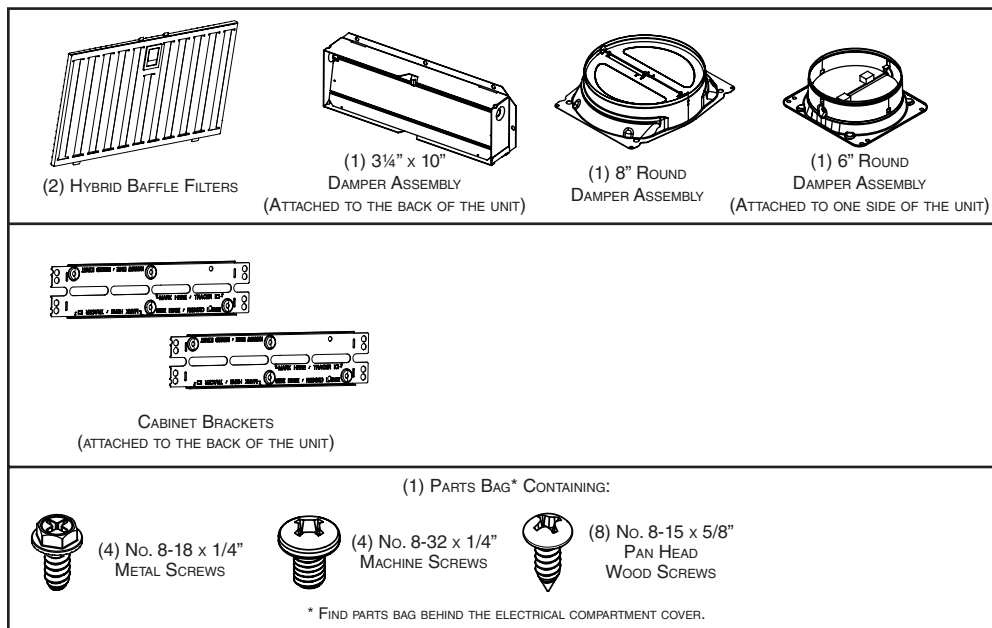
RECOMMENDED TOOLS AND ACCESSORIES

- Measuring tape
- Phillips screwdriver no. 2
- Nut driver or socket 3/8"
- Flat blade screwdriver (to open knockout holes)
- Saw (to cut holes in cabinet)
- Sheet metal shears
- Pliers
- Metal foil duct tape
- Scissors (to cut metal foil duct tape)
- Pencil
- Wire stripper
- 2 Appropriate wire nuts
- Strain relief, 7/8" diameter (to secure house wiring cable to the hood)
- Filler kits HADTBN24 (for 24") and HADTBN30 (for 30") (optional)

CONTENTS

Before proceeding to the installation, check the contents of the box. If items are missing or damaged, contact the manufacturer.

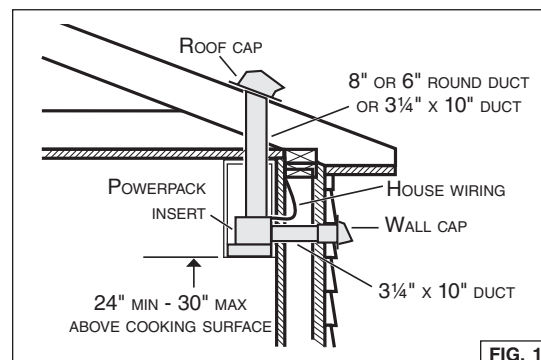
Make sure that the following items are included:



INSTALL THE DUCTWORK (DUCTED INSTALLATION ONLY)

NOTE: To reduce the risk of fire, use only metal ductwork.

1. Decide where the ductwork will run between the insert and the outside. (FIG. 1)
2. A straight, short duct run will allow the hood to perform most efficiently.
3. Long duct runs, elbows, and transitions will reduce the performance of the hood. Use as few of them as possible. Larger ducting may be required for best performance with longer duct runs.
4. Install wall cap or roof cap (sold separately). Connect metal ductwork to cap and work back towards the hood location. Use 2" metal foil duct tape to seal the joints between ductwork sections.



REMOVE THE ADAPTER/DAMPER AND 6-IN. ROUND DAMPER

Detach and set aside the 3¼" x 10" adapter/damper and the 6-in.-round damper (grey parts in FIG. 2) from back and side of the powerpack insert by removing their 2 retaining screws. Discard the screws.

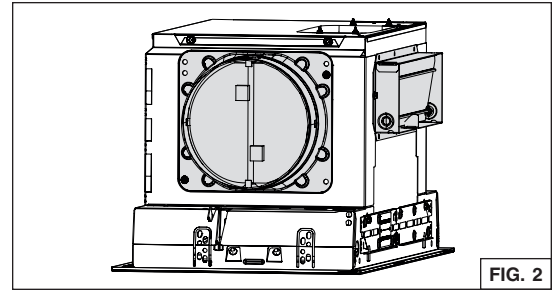


FIG. 2

REMOVE THE CABINET BRACKETS

Detach the cabinet brackets (grey part in FIG. 3) from the back of the powerpack insert by removing its 3 retaining screws. Discard the screws.

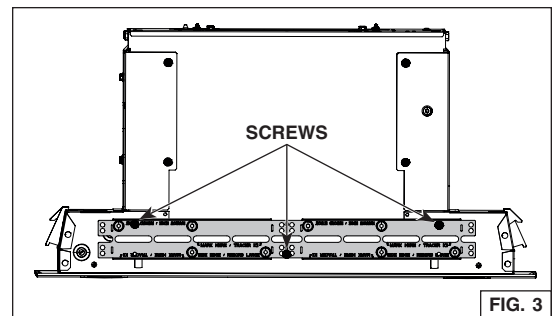


FIG. 3

Fold up and down the bracket until it is split in two separate parts (FIG. 4). Keep the brackets for possible further use.

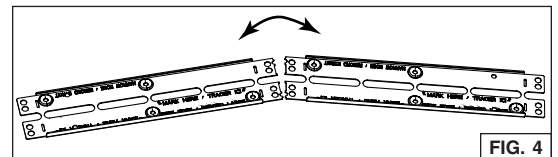


FIG. 4

NOTE: Both cabinet brackets have one wide edge and one narrow edge (FIG. 5), to cover all installation configurations depending on cabinet widths.

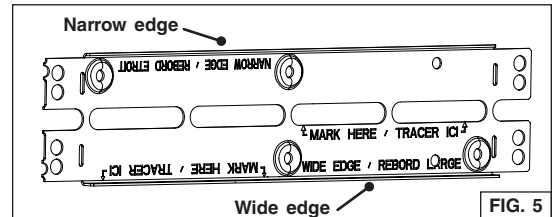


FIG. 5

PREPARE THE CABINET

⚠ WARNING

The cabinet must be secured to wall studs or other wooden framework behind the drywall to support the weight of this unit. Failure to do so may cause personal injury or damage to countertop or cooktop.

NOTES: A. The unit has to be installed inside the cabinet.

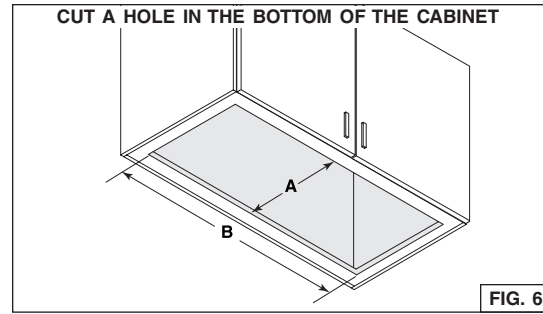
B. The unit should be mounted centered laterally over the cooktop burners.

C. For back to front position, the unit must be mounted according to local building codes.

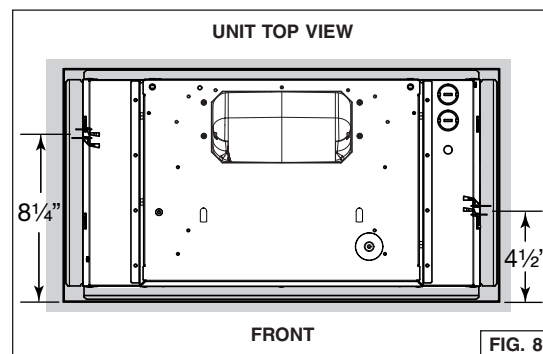
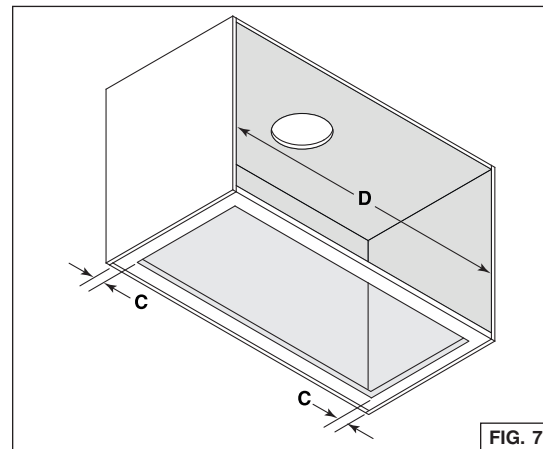
1. Cut a hole in the bottom of the cabinet, using the dimensions shown (FIG. 6).
2. Measure the remaining material of the cabinet bottom sides (C), (FIG. 7) if it is 1/4" or more, there is no need to use the cabinet brackets. Go to step 7 on page 9.
3. When there is less than 1/4" remaining material (C), carefully remove those strips. Measure the cabinet inner width (D) (FIG. 7). Refer to the table below to see which cabinet bracket edge configuration must be used.

UNIT	NARROW EDGE	WIDE EDGE
HBN1246SS	D From 22-1/16" to < 22-1/2"	D From 22-1/2" to 23"
HBN1306SS	D From 28-1/16" to < 28-1/2"	D From 28-1/2" to 29"

4. Pay attention to the Ease of Install hooks location on the unit (distance given from unit front flange, FIG. 8). Measure and mark the position of the Ease of Install hooks (shown as E in FIG. 9 on next page) on both cabinet side walls.



A = 10 1/4" (all units)
B = 22 1/16" (HBN1246SS)
B = 28 1/16" (HBN1306SS)



PREPARE THE CABINET

5. Install the cabinet brackets as follow (FIG. 9):

① Align the bracket flush with the bottom of the right cabinet side panel, with the hooks marked position (E) between the bottom embossed holes. For the narrow edge configuration, trace a line on the top of the bracket. For wide edge configuration, trace a line at the bottom of the central slots.

② Lift the bracket flush with the marked lined. Assemble the bracket to the cabinet side panel using 2 no. 8 x 5/8" wood screws (included in parts bag) through the upper holes.

NOTE: Do not use the embossed holes to attach the bracket to the cabinet.

③ Repeat steps ① to ② for the left cabinet side panel.

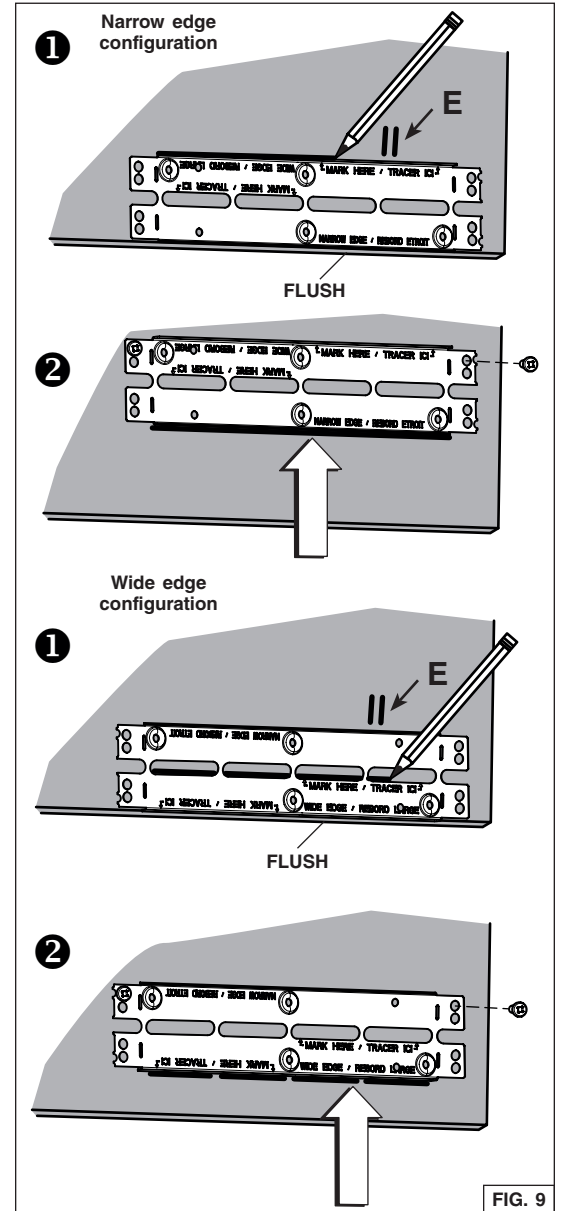


FIG. 9

PREPARE THE CABINET (CONT'D)

6. Measure the distance between both bottom bracket edges (**F**) (FIG. 10). The table below shows the appropriate distance needed.

UNIT	NARROW EDGE	WIDE EDGE
HBN1246SS	F From 21-7/8" to < 22-1/16"	F From 22-1/16" to 22-5/16"
HBN1306SS	F From 27-7/8" to < 28-1/16"	F From 28-1/16" to 28-5/16"

If the measured distance needs to be shortened, screw two no. 8-32 x 1/4" machine screws, in each bottom embossed cabinet brackets hole; this will slightly bend the bottom part of the brackets (FIG. 11). Screw both brackets until the appropriate distance is obtained.

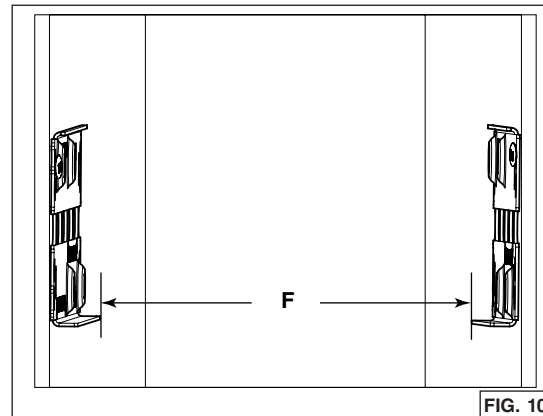


FIG. 10

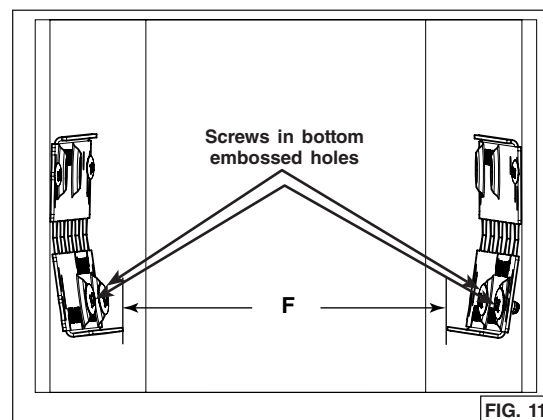


FIG. 11

7. Optional

There are 7 different sizes of optional fillers (sold separately) designed to fit up to 15-in. depth cabinets (for HBN1246SS unit, order: HADTBN24, for HBN1306SS: order HADTBN30). Choose the filler that fits better to cover the back bottom edge of the cabinet. Use 4 no. 6 x 1/2" truss head wood screws (included in the optional kit) to mount it (FIG. 12).

CAUTION

Never use an electric screwdriver or drill to screw the filler to the bottom edge of cabinet; use a standard screwdriver.

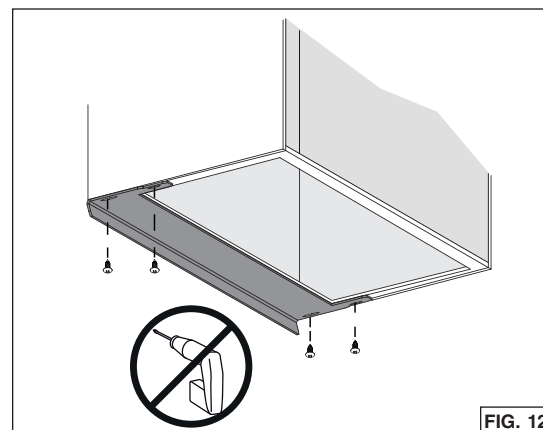


FIG. 12

HORIZONTAL EXHAUST INSTALLATION ONLY

This powerpack insert is factory shipped to exhaust vertically; however, it is possible to make it exhaust horizontally (3/4" x 10" ducting only).

8. Cut the hole for the horizontal exhaust through the back wall of the cabinet using the dimensions shown. (FIG. 13).

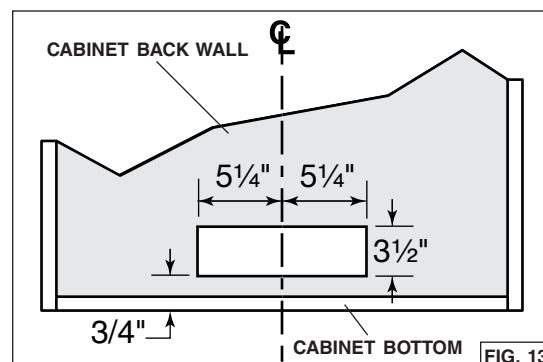
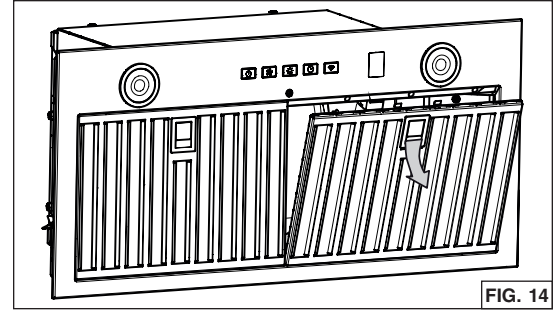


FIG. 13

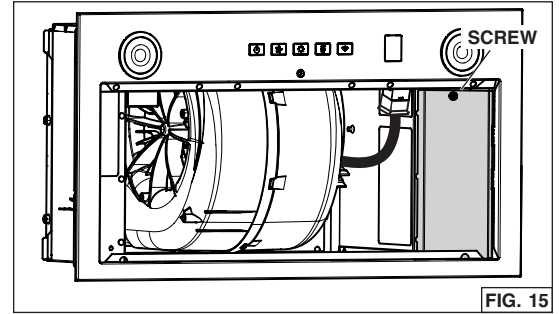
PREPARE THE UNIT

ALL INSTALLATIONS

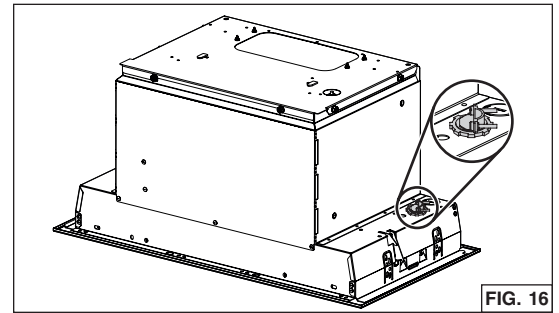
1. If present, remove all protective polyfilm from the unit and/or parts.
2. Remove the hybrid baffle filters by pushing down on latch tab and tilting the filters downward (FIG. 14). Set aside the filters.



3. Disassemble the electrical compartment cover (grey part in FIG. 15) from inside the unit by removing its retaining screw. Remove the parts bag behind the cover. Set aside the parts bag and the cover along with its screw.

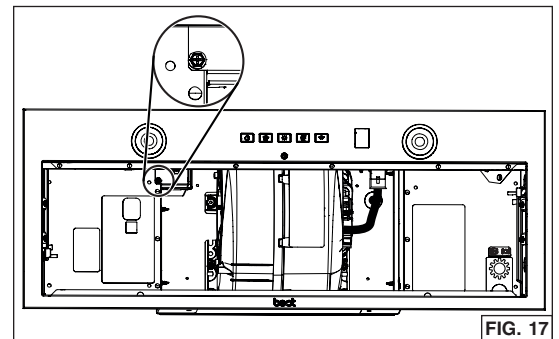


4. Punch out **one** of the two knock-out holes. Install an appropriate 7/8" diameter strain relief (not included, grey part in FIG. 16).
NOTE: The HCK44 cord connection kit (optional) can be used instead of the house power cable. Refer to the instruction packed with the HCK44 cord connection kit.

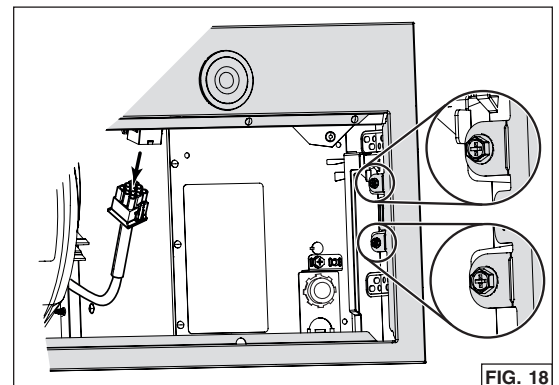


HORIZONTAL EXHAUST INSTALLATION ONLY

5. Remove and discard the screw circled in FIG. 17.
NOTE: This screw might be present or not.



6. Unplug the blower cable from its connector on faceplate. Disassemble the faceplate from the unit by removing its 4 retaining screws (two per side, circled in FIG. 18). Set aside the faceplate along with its screws.



PREPARE THE UNIT (CONT'D)

HORIZONTAL EXHAUST INSTALLATION ONLY (CONT'D)

7. Remove the 6 screws (2 per side and 2 in front) retaining the blower support plate to the top of the unit (FIG. 19). Carefully lift out and set aside the blower with its support plate. The blower will be reinstalled later in the unit.

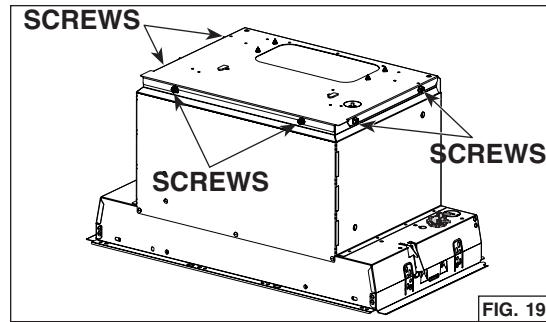


FIG. 19

8. From inside the unit, detach the back plate (grey part in FIG. 20) by removing its both retaining nuts using 3/8" diameter socket. Set aside the nuts and plate.

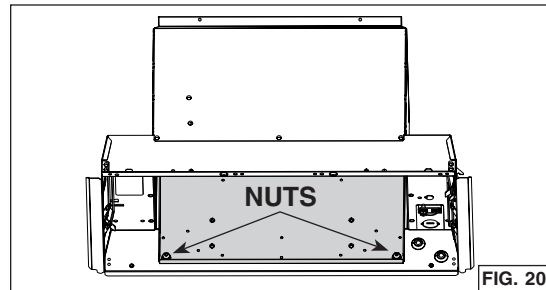


FIG. 20

9. Install the back plate on top of the unit, where the blower support plate was. Orient the holes nearby the corners towards the back of the unit. Assemble to the top of the unit using 6 screws previously removed in step 7 (FIG. 21).

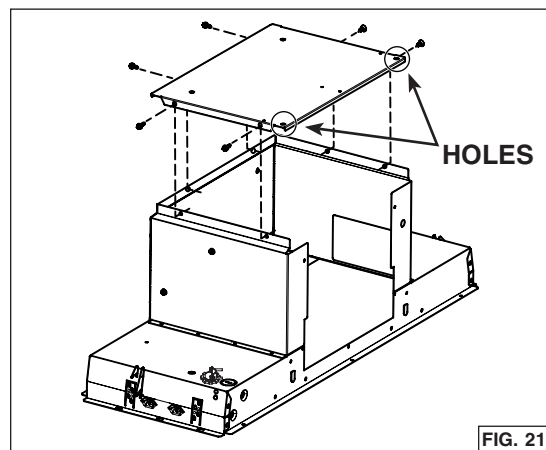


FIG. 21

VERTICAL EXHAUST INSTALLATION ONLY

10. For rectangular ducting, use 2 included no. 8-18 x 1/4" metal screws to attach the included 3 1/4" x 10" adapter damper on top of the unit, over the blower exhaust opening (FIG. 22).

NOTE: The damper hinge must be towards the front of the unit.

For round ducting, use 4 included no. 8-18 x 1/4" metal screws to attach the included 6-in. round (or 8-in. round) adapter damper on top of the unit, over the blower exhaust opening (FIG. 22).

NOTE: The damper hinge must be parallel to the sides of the unit.

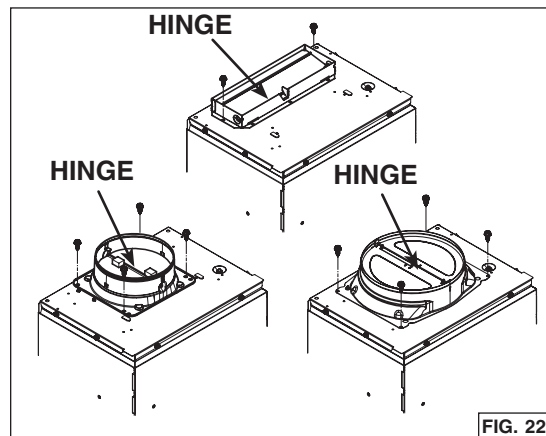


FIG. 22

INSTALL THE UNIT

1. Run house power cable between service panel and unit location. Stub out a 2-foot length of power cable inside the cabinet. Insert the power cable in the unit through the 7/8" diameter strain relief previously installed.

NOTE: Not necessary if the optional HCK44 cord connection kit is used.

2. Insert the unit in the cabinet, until you feel a 'click' from both sides of the unit, confirming that the Ease of Install hooks rest on the top of the cabinet bottom sides **1**, or cabinet brackets **2** or **3** (FIG. 23). Move the unit from left to right, from rear to front and up to ensure the Ease of Install hooks are retaining the unit inside the cabinet.

NOTE: The unit will be protruding below the cabinetry until tightened.

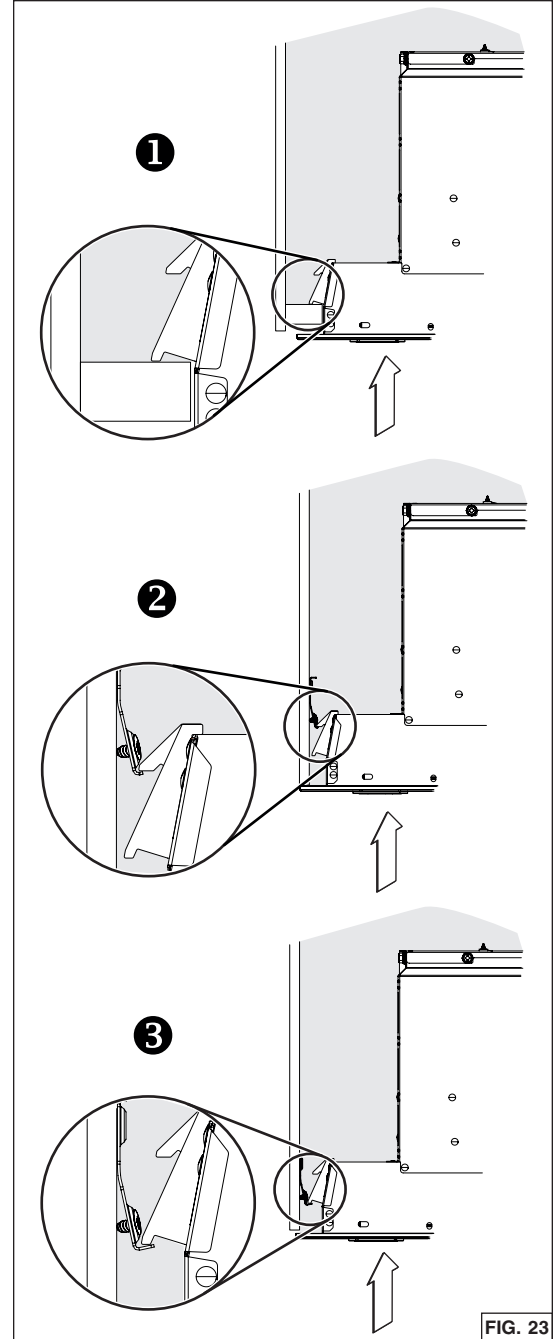


FIG. 23

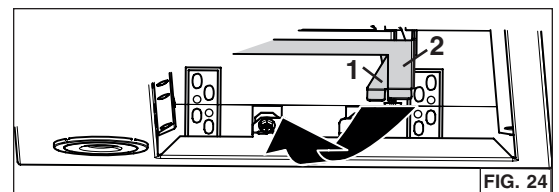


FIG. 24

NOTE: If, for any reason, the unit has to be removed from the cabinet, it is possible to disengage the Ease of Install hooks. To do so, while holding and pushing on one side of the unit, lift simultaneously Ease of Install hooks levers (**1** and **2**, grey parts in FIG. 24) in the other side of the unit until the hooks are retracted.

INSTALL THE UNIT (CONT'D)

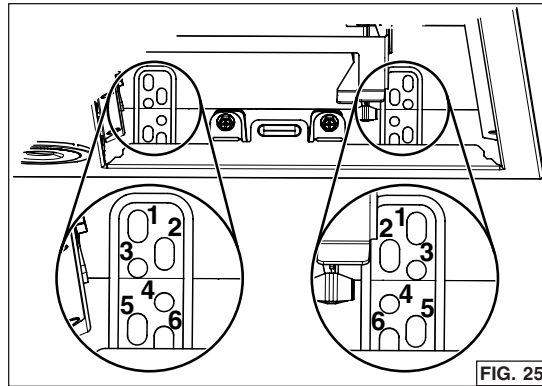
- Lift the unit until contact is made between the unit flange and cabinet. Secure the unit to the cabinet using 4 no. 8 x 5/8" wood screws included in parts bag (2 screws per side). Use upper or lower holes (1, 2, 3, 4, 5 or 6) (FIG. 25).

⚠ WARNING

The Ease of Install hooks TEMPORARILY hold the unit in place. The unit **MUST BE** secured to the cabinet using the included 4 screws.

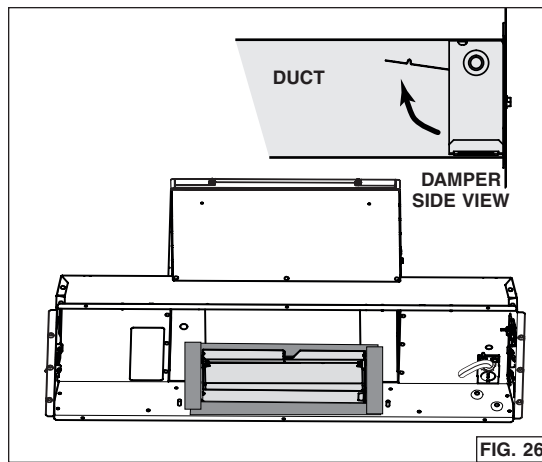
⚠ WARNING

Never use this unit as a shelf.

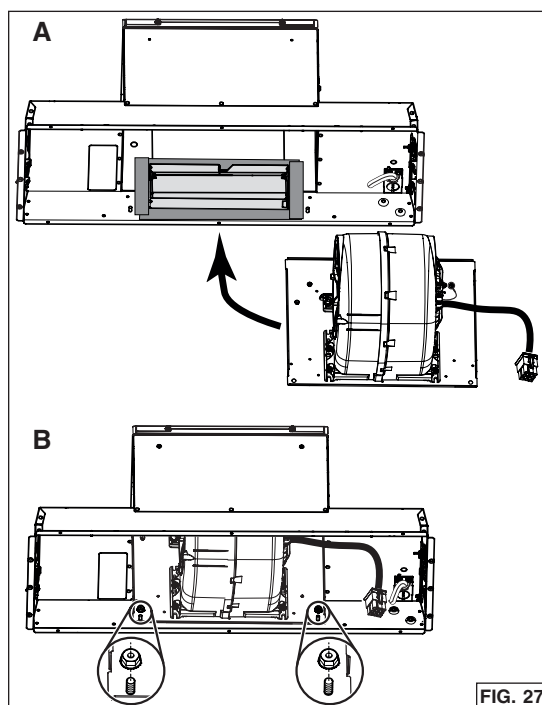


HORIZONTAL EXHAUST INSTALLATION ONLY

- From inside the unit, slide the 3 1/4" x 10" adapter/damper in the horizontal duct, then attach it to the unit using aluminum duct tape all around the joint (FIG. 26). Ensure the damper opens as shown in damper side view.



- Insert the blower with its support plate inside the unit, where the back plate was initially (A). Attach to the unit using 2 nuts previously removed in step 8 on page 11 (B) (FIG. 27).



INSTALL THE UNIT (CONT'D)

HORIZONTAL EXHAUST INSTALLATION ONLY (CONT'D)

- 6. Reinstall and secure the faceplate to the unit using its 4 retaining screws (two per side, circled in FIG. 28). Plug the blower cable to its connector on faceplate (FIG. 28).

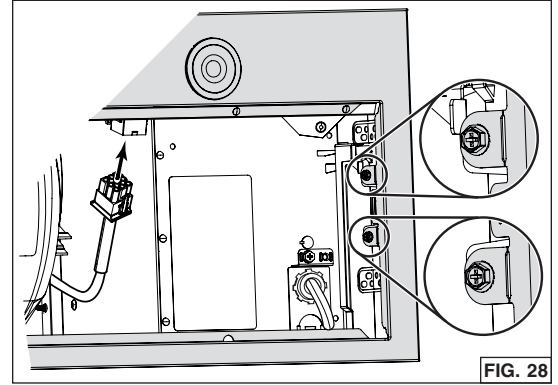


FIG. 28

CONNECT DUCTWORK

VERTICAL EXHAUST INSTALLATION ONLY

Ducted Installation

Use 6-in. round, 8-in. round or 3¼" x 10" metal duct to connect the adapter damper on the top of the unit to the ductwork above (FIG. 29, 8-in. round not shown). Seal the joint using aluminum duct tape.

Non-Ducted Installation

A non-duct kit is required for this type of installation (purchase separately). To install, follow the instructions packed with the kit. Refer to table below to find the appropriate non-duct kit according to the unit.

Unit model	Non-Duct kit model
HBN1246SS	HARKBN24
HBN1306SS	HARKBN30

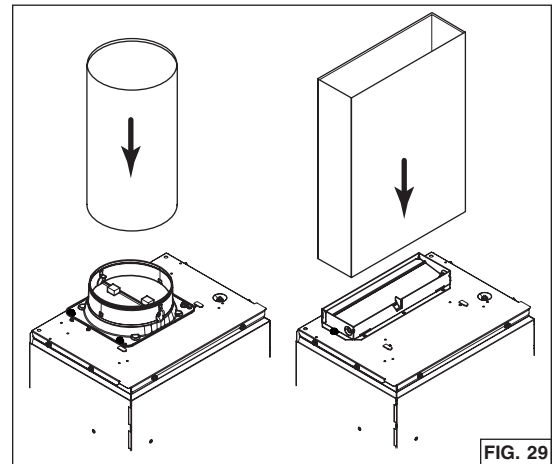


FIG. 29

WIRING

⚠ WARNING

Risk of electric shock. Electrical wiring must be done by qualified personnel in accordance with all applicable codes and standards. Before connecting wires, switch power off at service panel and lock service disconnecting means to prevent power from being switched on accidentally.

1. Using appropriate wire nuts (not included), connect house power cable to unit wiring: BLACK to BLACK, WHITE to WHITE and GREEN or bare wire to GREEN ground screw (FIG. 30).
2. Reinstall the electrical cover in the unit; ensuring the bottom tabs are inserted in their embossed location. Secure in place using its retaining screw (FIG. 31).

CAUTION

Take care not to pinch wires while reinstalling wiring cover.

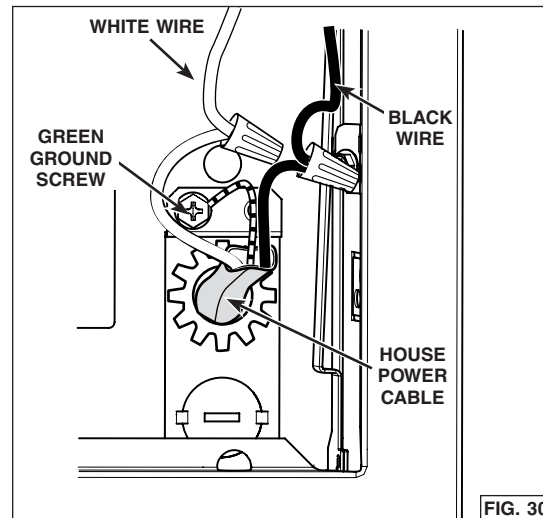


FIG. 30

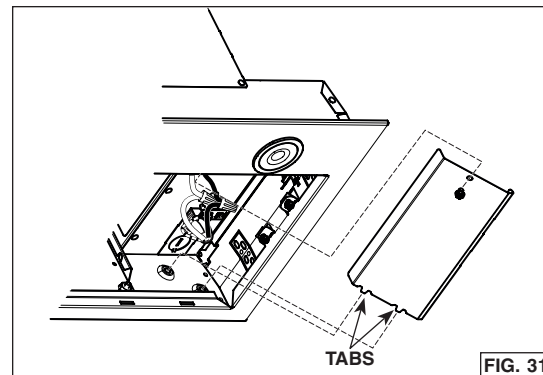


FIG. 31

INSTALL THE FILTERS

Ducted Installation

Reinstall the hybrid baffle filters.

Non-Ducted Installation

Attach the non-ducted filters (included with the HARKBN24 or HARKBN30 non-duct kit) to the back of the hybrid baffle filters using clips (provided with non-ducted filter). To order new non-ducted filters, use service part number S99010464-124 for HBN1246SS and S99010464-130 for HBN1306SS model.

FCC/IC Statements

Contains FCC ID: 2AC7Z-ESP32WROVERE

Contains IC: 21098- ESPWROVERE

FCC COMPLIANCE STATEMENT

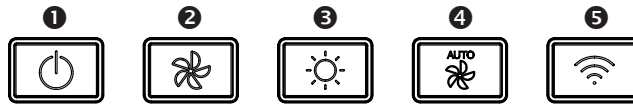
This device complies with part 15 of the FCC Rules. Operation is subject to the following two conditions: (1) This device may not cause harmful interference, and (2) this device must accept any interference received, including interference that may cause undesired operation.

INDUSTRY CANADA STATEMENT

This device complies with Industry Canada license exempt RSS standard(s). Operation is subject to the following two conditions:

(1) this device may not cause interference, and (2) this device must accept any interference, including interference that may cause undesired operation of the device.

SOFT-TOUCH CONTROL



- NOTES: 1. Each time a key is pressed, a beep is emitted to acknowledge the command. To disable, when the fan and lights are OFF, press on the Lights key (3) for 5 seconds. To put it back, when the fan and lights are OFF, press again on the Lights key (3) for 5 seconds.
2. Each time a key is pressed, its backlight turns ON. When a function is turned OFF, so does the corresponding key backlight.

1 Master ON/OFF:

Press this key to turn on the light and the fan at the last saved intensity. The backlights of the master ON/OFF key, fan key and light key are turned ON. When either light and fan are ON, pressing on this key will memorize the current fan speed and lighting level prior to shut them OFF.

Whenever there is an active function (light or fan is turned ON directly by pressing the fan or light key), the master ON/OFF backlight is turned ON. When the last active function is turned OFF (light or fan is turned OFF directly by pressing the fan or light key), the master ON/OFF backlight is also turned OFF.

2 Fan:

When fan is OFF, a key press turns ON the fan to the last saved speed. If there was no speed saved, the fan will be set on LOW speed. To change the fan speed, press the key again until the desired speed is reached (from LOW, to MEDIUM-LOW, to MEDIUM-HIGH, to HIGH speed to OFF).

When the fan is ON (no matter the speed level), a long key press turns the fan OFF and the current fan speed setting is saved to memory.

Filter Cleaning Reminder

When the user turns the fan OFF, and the fan key backlight flashes slowly during 30 seconds, then this means it is time to clean the hood and filters. Refer to the Maintenance and Cleaning Section on page 20. This will happen every time the user turns the fan OFF (and the timer has not been reset).

Once the cleaning is done, at any time during the 30-second signal (and the fan is OFF), a long press on the fan key will reset the timer and stop the key backlight flashing.

3 Lights:

Press this key to turn ON the lights to the last saved intensity. If there was no light intensity saved, the lights will be set on LOW intensity. To change the lights intensity, press the key again until the desired level is reached (from LOW, to MEDIUM, to HIGH intensity, to OFF).

When the lights are ON, a long press turns the lights OFF and the current light intensity is saved to memory. The next time the lights are turned ON (either with the light key or the master ON/OFF key), it does so at the last saved intensity.

4 Auto (SMART SENSE):

When the fan is OFF, press this key to enable the Auto mode. When a cooking session is detected, this function will automatically start or adjust the fan speed according to the heat detected on the cooktop. The fan will automatically turn OFF when there is no longer sufficient heat detected on the cooktop.

When the hood is OFF and not in use for 3 minutes, the Auto key backlight will automatically turn OFF. Pressing any key will turn the backlight back ON.

To disable the Auto mode, press for a long time the Auto key until the backlight turns OFF.

Manual fan speed adjustment in Auto mode:

When the Auto mode is operating, it is possible to manually change the fan speed using the fan key. The Auto key backlight will turn OFF to indicate that the Auto mode is on pause (until the fan has been manually turned OFF). When the heat is sufficiently low on the cooktop, the Auto mode function will automatically be re-enabled and its backlight will turn ON.

Auto Mode Characteristics:

- The Auto Mode sensor measures the temperature related to cooking activity on the range or cooktop.
- When removing a pan or pot from a hot stove surface, the fan speed may increase. This is not unusual since the sensor detects a temperature increase.
- The fan may turn OFF when cooking at a very low temperature level, especially with induction units.
- The fan may turn OFF temporarily when adding cold or frozen items in the pan or pot. When the items heat up sufficiently, the fan will automatically turn back ON.
- When opening the door of a hot oven or when running a self-cleaning oven, the fan may start automatically.
- When starting to cook, there may be a short delay of the fan operation while the pot/pan heats up.
- After cooking is finished, it is normal for the fan to remain ON for a short period of time until the cooking surface/pot/pan cools down.

5 Wi-Fi/Bluetooth®:

Go to page 17.

WI-FI/BLUETOOTH® 

This key is used to pair the powerpack insert (via Bluetooth®) to a smart device and to connect it to your home Wi-Fi network, or deactivate Wi-Fi/Bluetooth.

ACTIVATING PAIRING MODE

Before starting this procedure, ensure fan and lights are OFF.

Press the key 3 seconds to initiate the pairing process, if the Wi-Fi/Bluetooth function was OFF, it will turn back ON. The key backlight will flash (15 secs) showing that the device is ready to be paired.

WI-FI/BLUETOOTH FUNCTIONALITY

To turn OFF the Wi-Fi/Bluetooth function, press the key for 3 seconds. Once the key backlight is flashing, press the Master ON/OFF key (❶) for 3 seconds. The Wi-Fi/Bluetooth function and key backlight will turn OFF. To turn back ON the Wi-Fi/Bluetooth function, press the key for 3 seconds.

When the hood is OFF and not in use for 3 minutes, the Wi-Fi/Bluetooth key backlight will automatically turn OFF. Pressing any key will turn the backlight back ON.

RESETTING WI-FI/BLUETOOTH

To reset the Wi-fi/ Bluetooth connectivity (remove saved devices and disconnect from the Wi-Fi network), press the key for 3 seconds. Once the key backlight is flashing, press the key again for 10 seconds.

ESSENTIALS TO CONNECT YOUR WI-FI/BLUETOOTH UNIT

Before you connect your powerpack insert to a Wi-Fi network, you will need:

- A smart device with the latest version of iOS or Android operating system
- The smart device has access to the internet and Wi-Fi and Bluetooth are enabled
- The smart device within 5 meters (16 ft.) of the powerpack unit
- The powerpack unit is within the Wi-Fi signal range of your home network
- The name of your Wi-Fi home network (SSID) and its password
- No other Bluetooth enabled smart device nearby.

CONNECTING YOUR WI-FI/BLUETOOTH UNIT

1. Download the Best Kitchen app.



2. Follow the instructions in the app.
3. Scan the QR code below if you need more details for installing and using the app.



Apple and the Apple logo are trademarks of Apple Inc., registered in the U.S. and other countries.
App Store is a service mark of Apple Inc., registered in the U.S. and other countries.
Google Play and the Google Play logo are trademarks of Google LLC.

The Bluetooth® word mark and logos are registered trademarks owned by Bluetooth SIG, Inc. and any use of such marks by Best is under license.
Other trademarks and trade names are those of their respective owners.

WI-FI/BLUETOOTH® (CONT'D) 

USING YOUR CONNECTED ITEM

Now that your unit is properly connected, you can experience all the functionalities through the app. Even if you are not physically close to the unit, you can control it through the app using your Wi-fi network.

VOICE CONTROL

You can control the powerpack insert through your voice assistant device (Alexa or Google Home).

USING ALEXA APP OR ALEXA SPEAKER OR DISPLAY

You can rename your powerpack insert using the Alexa app. Keep in mind that this only renames the device on Alexa's end.

Here are some of the currently Alexa voice commands for your powerpack insert:

Range hood:

- Alexa, turn ON the range hood
- Alexa, turn the range hood ON
- Alexa, turn OFF the range hood
- Alexa, turn the range hood OFF

Fan

- Alexa, turn ON the range hood fan
- Alexa, turn OFF the range hood fan
- Alexa, set the range hood fan speed to one
- Alexa, set the range hood fan speed to two
- Alexa, set the range hood fan speed to three
- Alexa, set the range hood fan speed to four

Lights

- Alexa, turn ON the range hood lights
- Alexa, turn OFF the range hood lights
- Alexa, set the range hood lights to one
- Alexa, set the range hood light to two
- Alexa, set the range hood lights to three

USING GOOGLE ASSISTANT ENABLED SPEAKER OR DISPLAY

Say "Hey Google" and Google will start listening to your commands.

Here are some of the currently Google voice commands for your powerpack insert:

Range hood

- Hey Google, turn ON the range hood
- Hey Google, turn the range hood ON
- Hey Google, turn OFF the range hood
- Hey Google, turn the range hood OFF

Fan:

- Hey Google, turn ON the range hood fan
- Hey Google, turn OFF the range hood fan
- Hey Google, set the range hood fan speed to one
- Hey Google, set the range hood fan speed to two
- Hey Google, set the range hood fan speed to three
- Hey Google, set the range hood fan speed to four

Lights

- Hey Google, turn ON the range hood lights
- Hey Google, turn OFF the range hood lights
- Hey Google, set the range hood lights to one
- Hey Google, set the range hood lights to two
- Hey Google, set the range hood lights to three

FIRMWARE UPDATE

Periodic firmware updates will improve your experience using the unit. You will be able to explore new features that are added to the device and have enhanced user experience while interacting with the device. A Best user account must be created in order to take advantage of Firmware updates.

When updates are available, you will be notified through the app. We recommend installing updates when they are available; it only takes a few minutes.

When a firmware is available, you will need:

- the powerpack insert connected to your Wi-Fi home network
- your smart device with the Best app properly installed and configured

HEAT SENTRY™

Your unit is equipped with a HEAT SENTRY™ thermostat. This thermostat is a device that will turn on or speed up the blower if it senses excessive heat above the cooking surface.

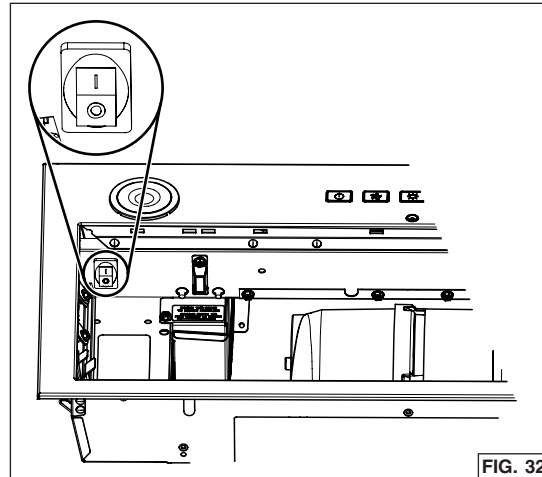
- 1) If blower is OFF - it turns blower ON to HIGH speed.
- 2) If blower is ON at a lower speed setting - it turns blower up to HIGH speed.

When the temperature level drops to normal, the blower will return to its original setting.

NOTE: When Heat Sentry is activated, the fan key backlight flashes slowly and the fan speed cannot be changed.

⚠ WARNING

The HEAT SENTRY thermostat can start the blower even if the hood is turned OFF. When this occurs, it is impossible to turn the blower OFF with its switch. If you must stop the blower, set the main power switch (located behind the filters, on inner side of the unit faceplate) in OFF position (if it is possible to do so safely). See inset in FIG. 32.

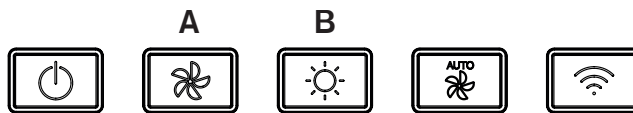


CODE READY™ TECHNOLOGY ACTIVATION

The Code Ready Technology option allows to change the blower output from the 600 CFM factory setting to a maximum of 400 CFM or 300 CFM. Activating the CRT option will reduce the airflow, so that the powerpack insert will perform within the allowable limit of Make-Up Air (MUA) codes (to meet some building code requirements). Do not change the blower CFM setting unless this change is required by code. This change will alter the performance of the product.

- IMPORTANT NOTES:**
1. This change CANNOT be reverted.
 2. CRT can only be set within the first 5 minutes of applying power to the unit.
 3. A power outage will not deactivate the CRT.
 4. Fan and lights must be OFF.

CRT PROCEDURE



1. Switch power ON using the main power switch (located behind the filters) and press simultaneously on Fan (**A**) and Lights (**B**) keys for 5 seconds; Fan (**A**) and Lights (**B**) key backlights will now flash to indicate you entered the CRT menu.

400 CFM MAXIMUM AIRFLOW

2. To select the 400 CFM maximum airflow, press on the Fan (**A**) key for 5 seconds, then release; the Fan key backlight will now flash to indicate 400 CFM has been selected (the Light (**B**) key backlight will be shut).
3. A second 5-second press on the Fan (**A**) key and release confirms the selection; the Fan key backlight quickly flashes twice and the buzzer sounds a double beep. The user interface returns to normal operation.
4. Locate the CRT sticker near the HVI Certification label inside the powerpack insert, behind the filter. Check the proper box (400 CFM).

300 CFM MAXIMUM AIRFLOW

2. To select the 300 CFM maximum airflow, press on the Lights (**B**) key for 5 seconds, then release; the Lights key backlight will now flash to indicate 300 CFM has been selected (the Fan (**A**) key backlight will be shut).
3. A second 5-second press on the Lights (**B**) key and release confirms the selection; the Lights key backlight quickly flashes twice and the buzzer sounds a double beep. The user interface returns to normal operation.
4. Locate the CRT sticker near the HVI Certification label inside the powerpack insert, behind the filter. Check the proper box (300 CFM).

MAINTENANCE

ALWAYS SWITCH OFF THE ELECTRICITY SUPPLY BEFORE CARRYING OUT ANY OPERATIONS ON THE APPLIANCE.

Hybrid Baffle Filters

The hybrid baffle filters should be cleaned frequently. Use a warm dishwashing detergent solution. The hybrid baffle filters are dishwasher safe.

Clean the filters in the dishwasher using a non-phosphate detergent. Discoloration of the filters may occur if using phosphate detergents, or as a result of local water conditions - but this will not affect filters performance. This discoloration is not covered by the warranty. To minimize or prevent discoloration, hand wash filters using a mild detergent.

Non-Ducted Recirculation Filters

The Non-Ducted Recirculation filters should be changed every 3 to 6 months. Replace more often if your cooking style generates extra grease, such as frying and wok cooking.

STAINLESS STEEL CLEANING

Do:

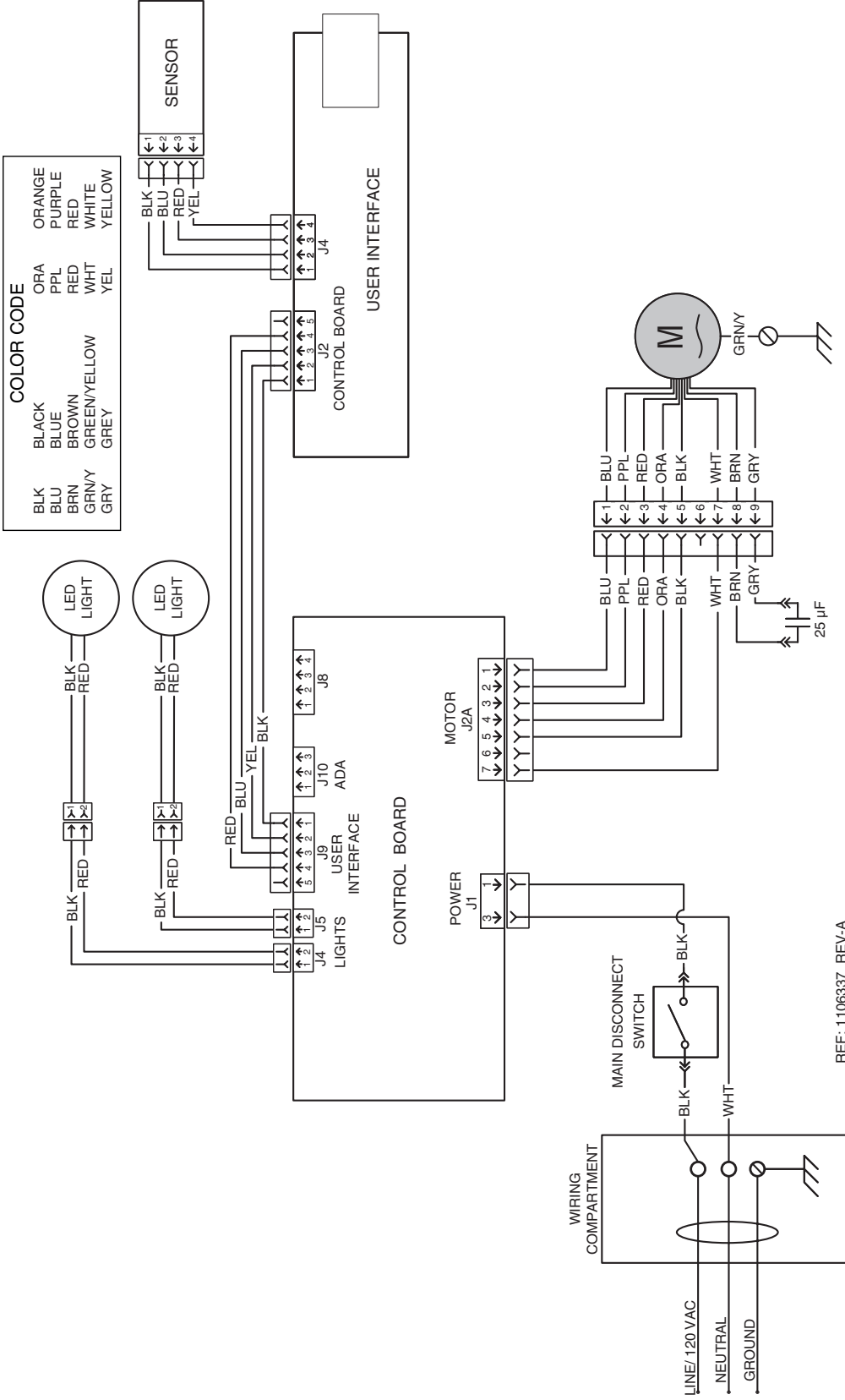
- Regularly wash with clean cloth or rag soaked with warm water and mild soap or liquid dish detergent.
- Always clean in the direction of original polish lines.
- Always rinse well with clear water (2 or 3 times) after cleaning. Wipe dry completely.
- You may also use a specialized household stainless steel cleaner.

Don't:

- Use any steel or stainless steel wool or any other scrapers to remove stubborn dirt.
- Use any harsh or abrasive cleansers.
- Allow dirt to accumulate.
- Let plaster dust or any other construction residues reach the unit. During construction/ renovation, cover the unit to make sure no dust sticks to the stainless steel surface.

Avoid when choosing a detergent:

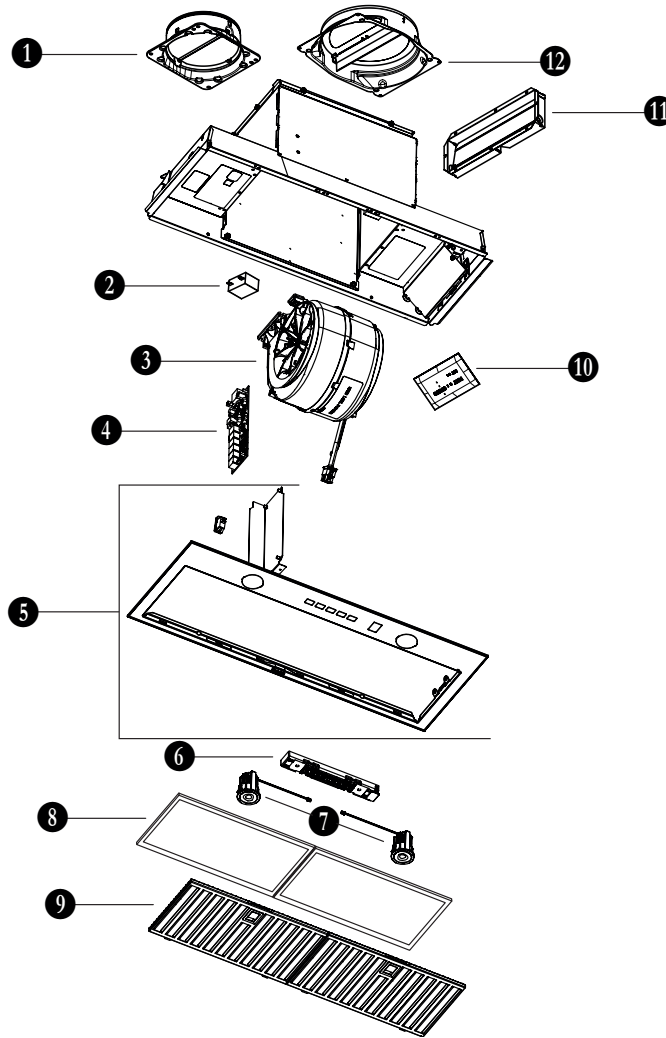
- Any cleaners that contain **bleach** will attack stainless steel.
- Any products containing: **chloride, fluoride, iodide, bromide** will deteriorate surfaces rapidly.
- Any combustible products used for cleaning such as **acetone, alcohol, ether, benzol**, etc., are highly explosive and should never be used close to a range.



REF: 1106337_REV-A

INSTALLATION AND USE & CARE INSTRUCTIONS
WIRING DIAGRAM

HBN1246SS,
HBN1306SS



INSTALLATION, USE & CARE INSTRUCTIONS
SERVICE PARTS

KEY NO.	PART NUMBER	DESCRIPTION	HBN1246SS	HBN1306SS
1	SV08487	6-IN. ROUND ADAPTER / DAMPER	1	1
2	S99271379	CAPACITOR 25 μ F	1	1
3	S97021509	BLOWER ASS'Y 600 CFM	1	1
4	S1108581	MAIN PCB	1	1
5	S98012198-809	FACEPLATE	1	
	S98012198-810	FACEPLATE		1
6	S1108775	SOFT TOUCH 5-BUTTON CONTROL	1	1
7	S99271694	LED MODULE ASSEMBLY (PAIR)	1	1
8	S99010464-124	CHARCOAL FILTERS WITH CLIPS (CLIPS NOT SHOWN) (NON-DUCTED INSTALLATION ONLY, INCLUDED IN NON-DUCT KIT NO. HARKBN24) (PAIR)	1	
	S99010464-130	CHARCOAL FILTERS WITH CLIPS (CLIPS NOT SHOWN) (NON-DUCTED INSTALLATION ONLY, INCLUDED IN NON-DUCT KIT NO. HARKBN30) (PAIR)		1
9	HPFBN24	HYBRID BAFFLE FILTERS (PAIR)	1	
	HPFBN30	HYBRID BAFFLE FILTER (PAIR)		1
10	S1104978	PARTS BAG INCLUDING : 4 No. 8-18 x 1/4" METAL SCREWS, 4 No. 8-32 x 1/4" MACHINE SCREW SCREWS, 8 No. 8-15 x 5/8" PAN HEAD WOOD SCREWS.	1	1
11	SR740014	3/4" x 10" ADAPTER / DAMPER	1	1
12	SV24383	8-IN. ROUND ADAPTER / DAMPER	1	1
13	S1106565	SENSOR IR FOR AUTO-OPERATION (INCLUDING HARNESS) (NOT SHOWN)	1	1

FIVE-YEAR LIMITED WARRANTY FOR BEST® PRODUCTS

Warranty Period and Exclusions: Broan-NuTone LLC (the “Company”) warrants to the original consumer purchaser of its product (“you”) that the product (the “Product”) will be free from material defects in the materials or its workmanship for a period of five (5) years from the date of original purchase (or such longer period as may be required by applicable law) or a period of two (2) years from the date of service for any labor provided on the Product. The limited warranty period for any replacement parts provided by the Company and for any Products repaired or replaced under this limited warranty shall be the remainder of the original warranty period (or such longer period as may be required by applicable law).

THIS WARRANTY DOES NOT COVER FLUORESCENT LAMP STARTERS, TUBES AND BULBS, FUSES, FILTERS, DUCTS, ROOF CAPS, WALL CAPS AND OTHER ACCESSORIES FOR DUCTING. This warranty does not cover (a) normal maintenance and service, (b) normal wear and tear, (c) any Products or parts which have been subject to misuse, abuse, abnormal usage, negligence, accident, improper or insufficient maintenance, storage or repair (other than repair by the Company), (d) damage caused by faulty installation, or installation or use contrary to recommendations or instructions, (e) any Product that has been moved from its original point of installation, (f) damage caused by exposure to salt air, (g) damage in transit, (h) natural wear of finish, (i) Products in commercial or nonresidential use, or (j) damage caused by fire, flood or other act of God or (k) Products with altered, defaced or removed serial numbers. This warranty covers only Products sold to consumers in North America.

This warranty supersedes all prior warranties and, subject to applicable law, is not transferable from the original consumer purchaser.

No Other Warranties: This Limited Warranty contains the Company’s sole obligation and your sole remedy for defective products. The foregoing warranties are exclusive and in lieu of any other warranties and conditions, express or implied. **TO THE MAXIMUM EXTENT PERMITTED BY APPLICABLE LAW, THE COMPANY DISCLAIMS AND EXCLUDES ALL OTHER EXPRESS WARRANTIES AND CONDITIONS, AND DISCLAIMS AND EXCLUDES ALL WARRANTIES AND CONDITIONS IMPLIED BY LAW, INCLUDING WITHOUT LIMITATION THOSE OF MERCHANTABILITY AND FITNESS FOR A PARTICULAR PURPOSE.** To the extent that applicable law prohibits the exclusion of implied warranties or conditions, the duration of any applicable implied warranty or condition is limited to the period specified for the express warranty above. Some jurisdictions (which may include the eProvince of Québec or specific US states) do not allow limitations on how long an implied warranty lasts, so the above limitation may not apply to you. Any oral or written description of the Product is for the sole purpose of identifying it and shall not be construed as an express warranty.

Whenever possible, each provision of this Limited Warranty shall be interpreted in such manner as to be effective and valid under applicable law, but if any provision is held to be prohibited or invalid, such provision shall be ineffective only to the extent of such prohibition or invalidity, without invalidating the remainder of such provision or the other remaining provisions of the Limited Warranty.

Remedy: During the applicable limited warranty period, the Company will, at its option, provide replacement parts for, or repair or replace, without charge, any Product or part thereof, to the extent the Company finds it to be covered by and in breach of this limited warranty under normal use and service. The Company will ship the repaired or replaced Product or replacement parts to you at no charge. You are responsible for all costs for removal, reinstallation and shipping, insurance or other freight charges incurred in the shipment of the Product or part to the Company. If you must send the Product or part to the Company, as instructed by the Company, you must properly pack the Product or part—the Company is not responsible for damage in transit. The Company reserves the right to utilize reconditioned, refurbished, repaired or remanufactured Products or parts in the warranty repair or replacement process. Such Products and parts will be comparable in function and performance to an original Product or part and warranted for the remainder of the original warranty period (or such longer period as may be required by applicable law).

Company reserves the right, in its sole discretion, to refund the money actually paid by you for the Product. If the Product or component is no longer available, replacement may be made with a similar product of equal or greater value, at Company’s sole discretion. This is your sole and exclusive remedy for breach of this limited warranty.

Exclusion of Damages: THE COMPANY’S OBLIGATION TO PROVIDE REPLACEMENT PARTS, OR REPAIR, REPLACE OR REFUND, AT THE COMPANY’S OPTION, SHALL BE YOUR SOLE AND EXCLUSIVE REMEDY UNDER THIS LIMITED WARRANTY AND THE COMPANY’S SOLE AND EXCLUSIVE OBLIGATION. THE COMPANY SHALL NOT BE LIABLE FOR INCIDENTAL, INDIRECT, CONSEQUENTIAL OR SPECIAL DAMAGES ARISING OUT OF OR IN CONNECTION WITH THE PRODUCT, ITS USE OR PERFORMANCE.

Some jurisdictions do not allow the exclusion or limitation of incidental or consequential damages, so the above limitation or exclusion may not apply to you. This warranty gives you specific legal rights, and you may also have other rights, which vary from jurisdiction to jurisdiction. The disclaimers, exclusions, and limitations of liability under this warranty will not apply to the extent prohibited by applicable law.

This warranty covers only replacement or repair of defective Products or parts thereof at the Company’s main facility and does not include the cost of field service travel and living expenses.

Any assistance the Company provides to or procures for you outside the terms, limitations or exclusions of this limited warranty will not constitute a waiver of such terms, limitations or exclusions, nor will such assistance extend or revive the warranty.

The Company will not reimburse you for any expenses incurred by you in repairing or replacing any defective Product, except for those incurred with the Company’s prior written permission.

How to Obtain Warranty Service: To qualify for warranty service, you must (a) notify the Company at the address or telephone number stated below within seven (7) days of discovering the covered defect, (b) give the model number and part identification and (c) describe the nature of any defect in the Product or part. At the time of requesting warranty service, you must present evidence of the original purchase date. If you cannot provide a copy of the original written limited warranty, then the terms of the Company’s most current written limited warranty for your particular product will control.

PRODUCT SPECIFICATIONS

All illustrations and specifications in this catalog are based on the latest product information available at time of production. Broan-NuTone LLC and Best® reserves the right to make changes at any time, without notice, in prices, colors, materials, specifications and models, place of manufacture and to discontinue models or equipment.

BEST 926 West State Street, Hartford, Wisconsin USA 53027 BestRangeHoods.com 800-558-1711

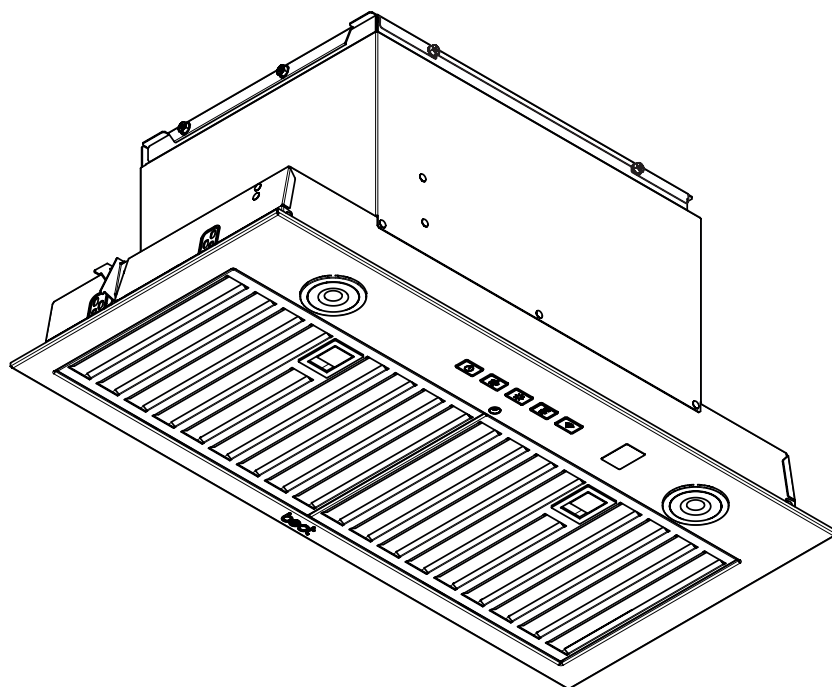
BEST 550 Lemire Blvd., Drummondville, Québec, Canada J2C 7W9 BestRangeHoods.ca 800-567-3855



Hottes encastrables

Série HBN1

DIRECTIVES D'INSTALLATION,
D'UTILISATION ET D'ENTRETIEN



Numéro de série :

1105023D

Sécurité	3-4
Installation	5-15
Outils et accessoires recommandés	5
Contenu	5
Installation des conduits (Installations avec conduits seulement)	5
Retrait de l'adaptateur/volet	6
Retrait des supports d'armoire	6
Préparation de l'armoire	7-9
Préparation de l'appareil	10-11
Installation de l'appareil	12-14
Raccordement du conduit	14
Branchement électrique	15
Installation des filtres	15
Fonctionnement	16-19
Commande à effleurement	16
WiFi-Bluetooth®	17-18
Heat Sentry ^{MC}	19
Activation de l'option Code Ready TM Technology	19
Nettoyage et entretien	20
Filtres à chicanes hybrides	20
Filtres de recirculation	20
Nettoyage de l'acier inoxydable	20
Schéma électrique	21
Pièces de remplacement	22
Garantie	23

Pour enregistrer votre produit, veuillez visiter notre site Internet:

Aux États-Unis: www.bestrangehoods.com

Au Canada: www.bestrangehoods.ca

Pour de l'assistance technique, veuillez composer le numéro de téléphone suivant:

Aux États-Unis: 800 558-1711

Au Canada: 800 567-3855

Installateur: Laisser ce manuel au propriétaire.

Veuillez lire et conserver ces directives.

⚠ Conçu pour usage domestique seulement ⚠

⚠ AVERTISSEMENT



AFIN DE RÉDUIRE LES RISQUES D'INCENDIE, D'ÉLECTROCUTION OU DE BLESSURES CORPORELLES, SUIVEZ LES DIRECTIVES SUIVANTES:



- N'utilisez cet appareil que de la façon prévue par le fabricant. Si vous avez des questions, contactez le fabricant à l'adresse ou au numéro de téléphone indiqués dans la garantie.
- Avant de réparer ou de nettoyer l'appareil, couper l'alimentation électrique en verrouillant le panneau de distribution afin d'éviter sa remise en marche accidentelle. Si le panneau de distribution ne peut être verrouillé, y fixer un avertissement en évidence, telle qu'une étiquette de couleur vive.
- Les travaux d'installation et de raccordement électrique doivent être effectués par une personne qualifiée, conformément aux codes et aux standards de construction, incluant ceux concernant la protection contre les incendies.
- Une quantité d'air adéquate est requise afin d'assurer une bonne combustion et l'évacuation des gaz par la cheminée dans le cas des équipements alimentés au gaz afin de prévenir les retours de cheminée. Conformez-vous aux instructions et aux standards de sécurité des fabricants d'équipement de chauffage, tel qu'ils sont publiés par la National Fire Protection Association (NFPA) et l'American Society for Heating, Refrigeration and Air Conditioning Engineers (ASHRAE) ainsi que les responsables des codes locaux.
- Veillez à ne pas endommager le câblage électrique ou d'autres équipements non apparents lors de la découpe ou du perçage du mur ou du plafond.
- Les ventilateurs avec conduits doivent toujours évacuer l'air à l'extérieur.
- Ne pas utiliser cet appareil avec une commande de vitesse à semi-conducteur additionnelle.
- Afin de réduire les risques d'incendie, n'utilisez que des conduits de métal.
- Cet appareil doit être mis à la terre.
- Il est recommandé de porter des lunettes et des gants de sécurité lors de l'installation, de l'entretien ou de la réparation de cet appareil.
- Lorsqu'une réglementation est en vigueur et qu'elle comporte des exigences d'installation et/ou de certification plus restrictives, lesdites exigences prévalent sur celles de ce document et l'installateur entend s'y conformer à ses frais.

⚠ AVERTISSEMENT**AFIN DE RÉDUIRE LES RISQUES DE FEU DE CUISINIÈRE :**

- A. Ne jamais laisser les appareils de cuisson sans surveillance lorsqu'ils sont réglés à feu vif. Les débordements engendrent de la fumée et des déversements graisseux pouvant s'enflammer. Chauffez l'huile lentement, à feu doux ou moyen.
- B. Mettez toujours la hotte en marche lorsque vous cuisinez à feu vif ou que vous cuisinez des mets flambés (par ex. : crêpes Suzette, cerises jubilé, steaks au poivre flambés).
- C. Nettoyez régulièrement la roue du ventilateur. Ne laissez pas la graisse s'accumuler sur le ventilateur, le filtre ou les conduits d'évacuation.
- D. Utilisez le bon format de casserole. Servez-vous toujours de casseroles et d'ustensiles appropriés à la dimension de la surface chauffante.

AFIN DE RÉDUIRE TOUT RISQUE DE BLESSURES LORS D'UN FEU DE CUISINIÈRE, SUIVEZ CES DIRECTIVES* :

1. ÉTOUFFEZ LES FLAMMES avec un couvercle hermétique, une tôle à biscuits ou un plateau métallique et ensuite, éteignez le brûleur. PRENEZ SOIN D'ÉVITER LES BRÛLURES. SI LES FLAMMES NE S'ÉTEIGNENT PAS IMMÉDIATEMENT, ÉVACUEZ LES LIEUX ET APPELEZ LES POMPIERS.
2. NE PRENEZ JAMAIS UNE CASSEROLE EN FLAMMES DANS VOS MAINS. Vous pourriez vous brûler.
3. N'UTILISEZ PAS D'EAU, incluant un linge à vaisselle ou une serviette mouillée, cela pourrait occasionner une violente explosion de vapeur.
4. N'utilisez un extincteur QUE DANS LE CAS OÙ :
 - A. Vous possédez un extincteur de classe ABC et vous en connaissez le fonctionnement.
 - B. Le feu est petit et limité à l'endroit où il a débuté.
 - C. Les pompiers ont été avisés.
 - D. Vous pouvez combattre l'incendie en ayant accès à une sortie de secours.

* Tirées du *Kitchen Fire Safety Tips* publié par la NFPA.

⚠ ATTENTION

- Pour une utilisation résidentielle et à l'intérieur seulement.
- Afin de réduire les risques d'incendie et évacuer l'air adéquatement, assurez-vous que les conduits évacuent l'air à l'extérieur. Ne pas évacuer l'air dans des espaces restreints comme l'intérieur des murs ou plafond ou dans le grenier, faux plafond ou garage.
- Soyez prudents lors de l'utilisation d'agents nettoyants ou de détergents.
- Évitez d'utiliser sous la hotte des produits alimentaires pouvant s'enflammer.
- Pour usage domestique seulement. Ne pas utiliser pour évacuer des vapeurs ou des matières dangereuses ou explosives.
- Afin d'éviter tout dommage au moteur et de débalancer ou de rendre bruyante la roue du moteur, garder votre appareil à l'abri des poussières de gypse et de construction/rénovation, etc.
- Le moteur de votre hotte possède une protection thermique qui éteindra automatiquement le moteur s'il devient surchauffé. Le moteur redémarrera automatiquement une fois refroidi. Si le moteur continue à arrêter et à redémarrer, faites-le vérifier.
- Pour une meilleure évacuation des odeurs de cuisson, le bas de votre hotte devrait être situé À UN MINIMUM de 24 po et à un maximum recommandé de 30 po au-dessus de la surface de cuisson.
- Deux installateurs sont recommandés.
- Veuillez consulter l'autocollant apposé à l'intérieur de la hotte pour plus d'information ou autres exigences.

Pour connaître les lignes directrices de l'ADA (*Americans with Disabilities Act*) concernant l'installation, veuillez entrer votre numéro de modèle dans notre site Internet.

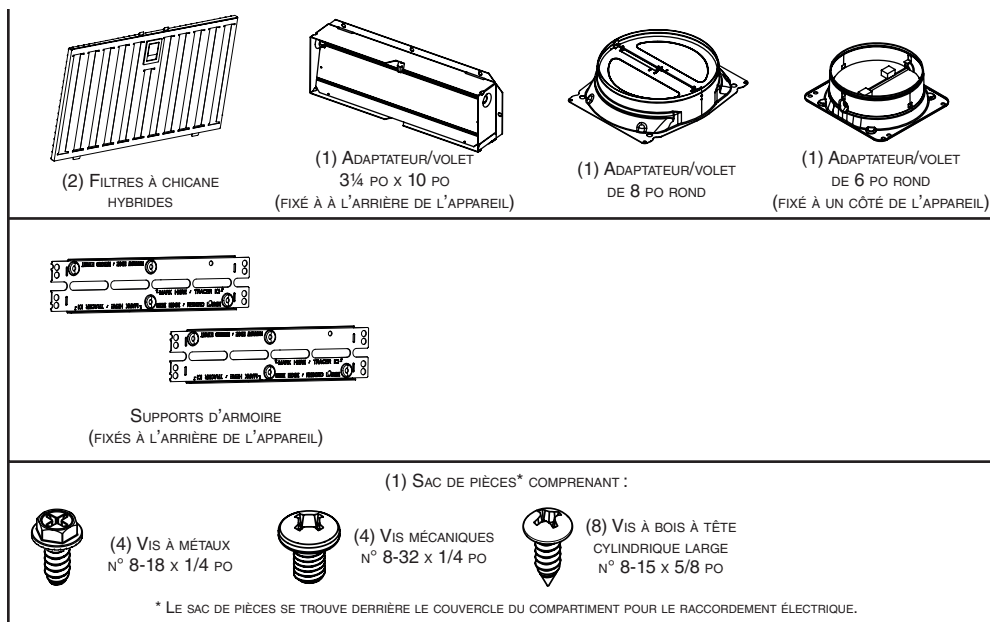
OUTILS ET ACCESSOIRES RECOMMANDÉS

- Ruban à mesurer
- Tournevis Phillips n° 2
- Tourne-écrou ou douille 3/8 po
- Tournevis à lame plate (pour dégager les ouvertures préamorcées)
- Scie (pour la découpe des trous dans l'armoire)
- Cisailles à tôle
- Pincettes
- Ruban adhésif de métal
- Ciseaux (pour couper le ruban adhésif de métal)
- Crayon
- Pince à dénuder
- 2 capuchons de connexion appropriés
- Serre-fils de 7/8 po de diamètre (pour fixer le câble d'alimentation électrique domestique à la hotte)
- Ensembles de bandes protectrices HADTBN24 (pour 24 po) et HADTBN30 (pour 30 po) (optionnel)

CONTENU

Avant de procéder à l'installation, vérifier le contenu de la boîte. Si des articles sont manquants ou endommagés, contacter le fabricant.

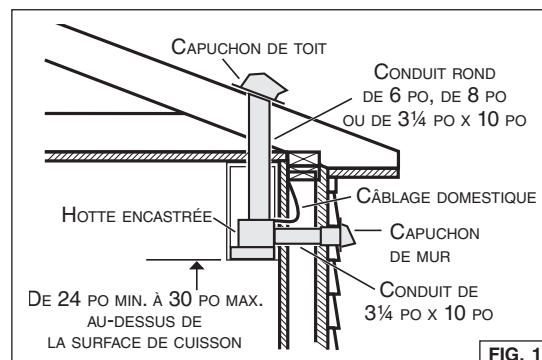
S'assurer que les articles suivants sont inclus :



INSTALLATION DES CONDUITS (INST. AVEC CONDUITS SEULEMENT)

NOTE : Afin de réduire les risques d'incendie, n'utilisez que des conduits de métal.

1. Établir où le conduit passera entre la hotte et l'extérieur (FIG. 1).
2. Un conduit droit et court permettra à votre hotte de fonctionner plus efficacement.
3. Un conduit long avec des coudes et des transitions réduira la performance de votre hotte. En utiliser le moins possible. Pour une grande distance, utiliser un conduit d'évacuation d'air au diamètre plus grand.
4. Installer un capuchon de toit ou de mur (vendus séparément). Relier le conduit en métal au capuchon, puis acheminer le conduit jusqu'à l'emplacement de la hotte. Sceller hermétiquement les raccords à l'aide de ruban adhésif de métal de 2 po de largeur.



RETRAIT DES ADAPTATEURS/VOLETS

Détacher et mettre de côté l'adaptateur/volet de 3¼ po x 10 po et l'adaptateur/volet de 6 po rond (en gris dans la FIG. 2) de l'arrière et d'un côté de la hotte encastrée en retirant leurs 2 vis de retenue. Se défaire des vis.

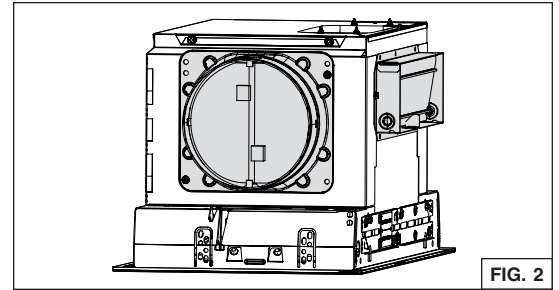


FIG. 2

RETRAIT DES SUPPORTS D'ARMOIRE

Détacher les supports d'armoire (en gris dans la FIG. 3) de l'arrière de la hotte encastrée en retirant ses 3 vis de retenue. Se défaire des vis.

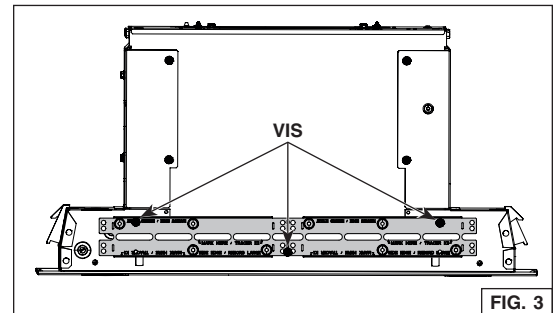


FIG. 3

Plier les supports vers le haut et le bas jusqu'à se qu'ils se détachent l'un de l'autre (FIG. 4). Garder les supports pour un usage éventuel.

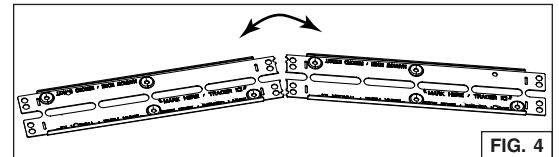


FIG. 4

NOTE : Les deux supports d'armoire sont munis d'un rebord large et d'un rebord étroit (FIG. 5), pour couvrir toutes les configurations d'installation, selon les largeurs d'armoire.

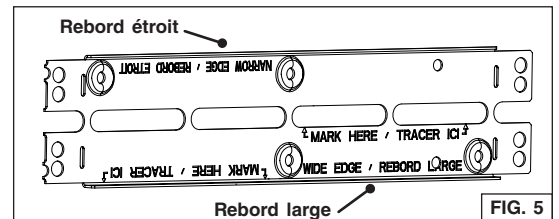


FIG. 5

PRÉPARATION DE L'ARMOIRE

⚠ AVERTISSEMENT

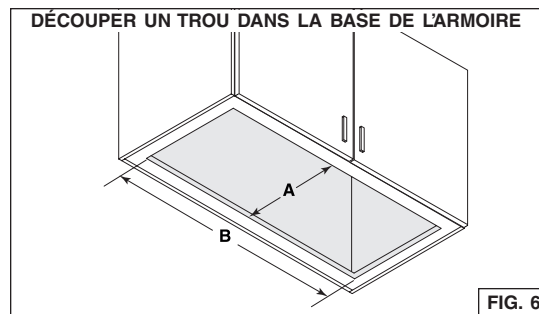
L'armoire doit être fixée aux montants ou autre structure derrière la cloison pour supporter le poids de cet appareil. Ne pas suivre cette directive peut entraîner des blessures corporelles ou des dommages à la surface de cuisson ou au comptoir de cuisine.

- NOTES: A. La hotte doit être installée dans l'armoire. .
 B. La hotte doit être installée centrée latéralement, au-dessus de la surface de cuisson.
 C. Pour la position d'arrière vers l'avant, l'appareil doit être monté selon les codes de construction locaux.

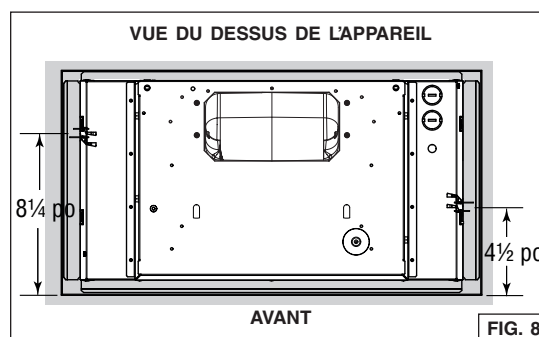
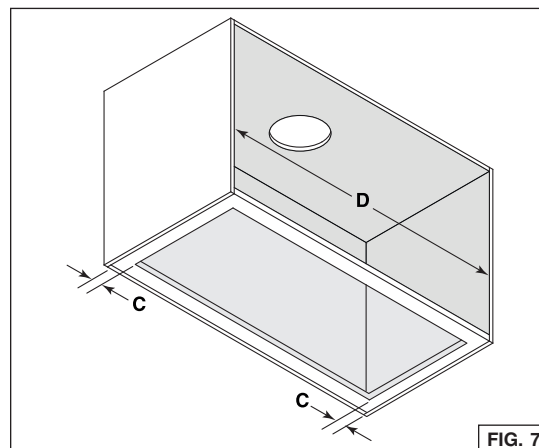
1. Découper un trou dans la base de l'armoire aux dimensions indiquées (FIG. 6).
2. Mesurer ce qu'il reste de matériau des côtés de la base de l'armoire (**C**) (FIG. 7), s'il subsiste 1/4 po ou plus, nul besoin d'utiliser les supports d'armoire fournis. Passer à l'étape 7 en page 9.
3. S'il reste moins de 1/4 po de matériau (**C**), retirer soigneusement ces bandes. Mesurer la largeur intérieure de l'armoire (**D**) (FIG. 7). Consulter le tableau ci-dessous pour savoir quelle configuration de rebords de support doit être utilisée.

APPAREIL	REBORD ÉTROIT	REBORD LARGE
HBN1246SS	D De 22-1/16 po à < 22-1/2 po	D De 22-1/2 po à 23 po
HBN1306SS	D De 28-1/16 po à < 28-1/2 po	D De 28-1/2 po à 29 po

4. Repérer les crochets *Ease of Install* sur l'appareil (distance donnée à partir du rebord avant, FIG. 8). Insérer temporairement l'appareil dans l'armoire et tout en retenant l'appareil, marquer sur les deux côtés de l'armoire l'emplacement des crochets *Ease of Install* (illustré en **E** dans la FIG. 9 en page suivante). Retirer l'appareil.



A = 10¼ po (tous les appareils)
 B = 22 1/16" po (HBN1246SS)
 B = 28 1/16 po (HBN1306SS)



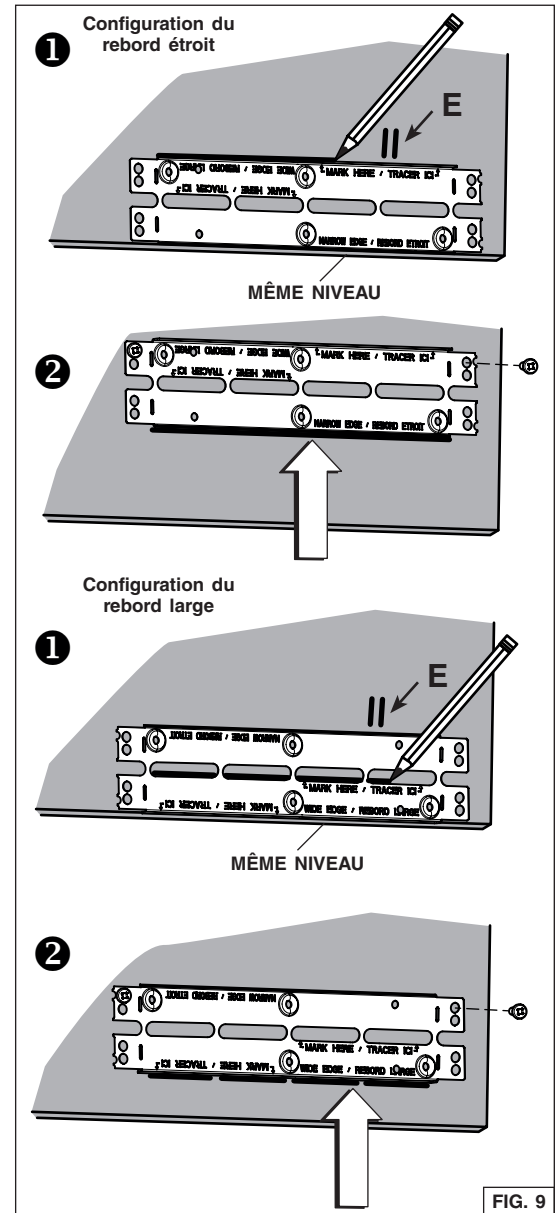
PRÉPARATION DE L'ARMOIRE (SUITE)

5. Installer les supports d'armoire comme suit (FIG. 9) :

- ❶ Placer le support au même niveau que le bas du panneau droit de l'armoire, en centrant la marque de l'emplacement des crochets (E) entre les trous en relief inférieurs. Pour la configuration du rebord étroit, tracer une ligne sur le dessus du support. Pour la configuration du rebord large, tracer une ligne à la base des fentes centrales.
- ❷ Monter le support au même niveau que la ligne tracée. Fixer le support au panneau de côté de l'armoire à l'aide de 2 vis à bois n° 8 x 5/8 po (incluses dans le sac de pièces) dans les trous supérieurs.

NOTE : Ne pas utiliser les trous en relief pour fixer le support.

- ❸ Répéter les étapes ❶ à ❷ pour le panneau gauche.



PRÉPARATION DE L'ARMOIRE (SUITE)

6. Mesurer la distance entre les rebords du bas des deux supports (F) (FIG. 10). Le tableau ci-dessous indique les distances apprôchées nécessaires :

APPAREIL	REBORD ÉTROIT	REBORD LARGE
HBN1246SS	F De 21-7/8 po à < 22-1/16 po	F De 22-1/16 po à 22-5/16 po
HBN1306SS	F De 27-7/8 po à < 28-1/16 po	F De 28-1/16 po à 28-5/16 po

Si la distance mesurée est trop grande, visser, dans chacun des trous en relief inférieurs des supports, 2 vis à métaux n° 8-32 x 1/4 po; ceci fera plier légèrement la partie inférieure des supports (FIG. 11). Visser les deux supports jusqu'à l'obtention de la distance apprôchée

7. Optionnel

Sept différents formats de bandes protectrices optionnelles (vendues séparément) conviennent à des armoires allant jusqu'à 15 po de profondeur (pour HBN1246SS: HADTBN24, pour HBN1306SS: HADTBN30). Choisir la bande qui peut mieux couvrir la lisière arrière de l'armoire. Utiliser 4 vis à bois à tête bombée n° 6 x 1/2 po (incluses dans l'ensemble optionnel) pour la fixer (FIG. 12).

ATTENTION

Ne jamais utiliser un tournevis électrique ou une perceuse pour visser la bande protectrice à la lisière arrière de l'armoire, se servir d'un tournevis standard.

INSTALLATION EN ÉVACUATION HORIZONTALE SEULEMENT

Cette hotte encastrable est configurée en usine pour évacuer verticalement; toutefois, il est possible qu'elle évacue horizontalement (avec conduit de 3 1/4 po x 10 po seulement).

8. Découper le trou pour l'évacuation horizontale dans le mur arrière de l'armoire aux dimensions indiquées. (FIG. 13).

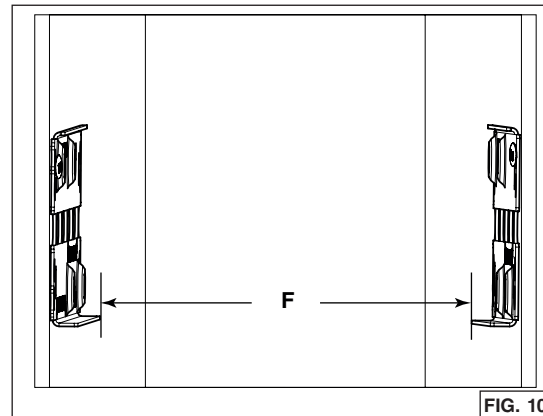


FIG. 10

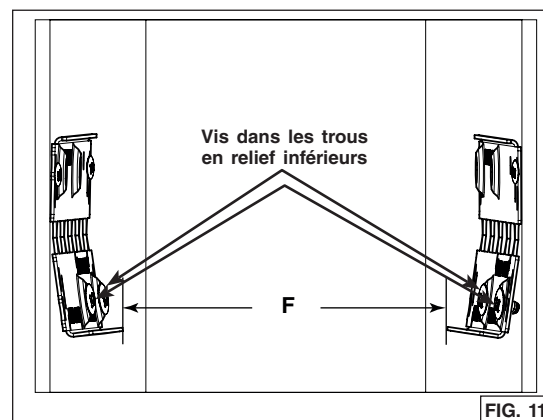


FIG. 11

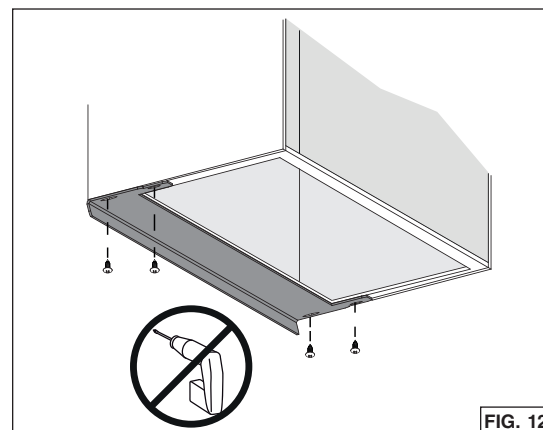


FIG. 12

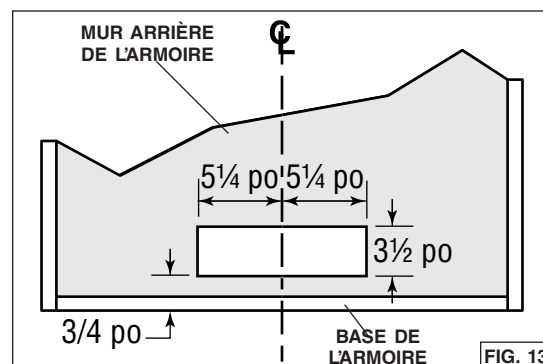
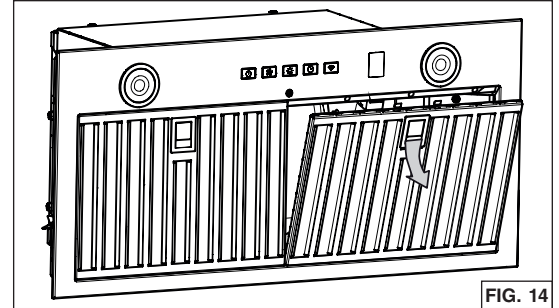


FIG. 13

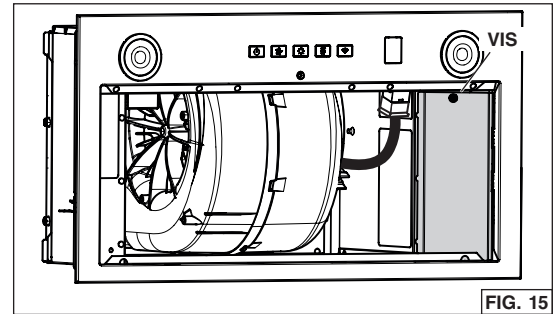
PRÉPARATION DE L'APPAREIL

TOUTES LES INSTALLATIONS

1. Le cas échéant, retirer toute présence de pellicule de plastique protectrice sur la hotte ou ses pièces.
2. Retirer les filtres à chicanes hybrides en appuyant sur le loquet et en les basculant vers le bas (FIG. 14). Mettre de côté les filtres.

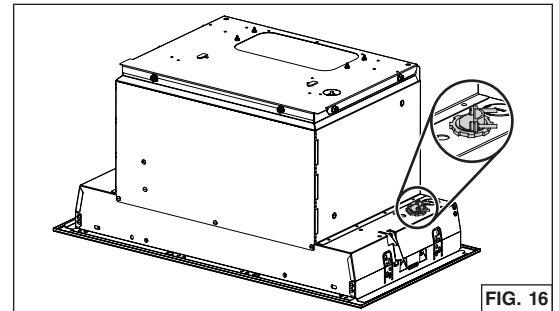


3. Détacher le couvercle du compartiment électrique (en gris dans la FIG. 15) de l'intérieur de l'appareil en retirant sa vis de retenue. Retirer le sac de pièces de l'arrière du couvercle. Mettre de côté le sac de pièces et le couvercle avec sa vis.



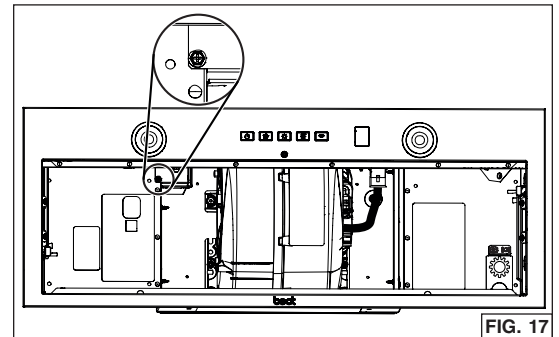
4. Perforer **une** des deux ouvertures préamorcées (en gris dans la FIG. 16). Installer un serre-fils approprié de 7/8 po de diamètre (non inclus).

NOTE : L'ensemble de cordon d'alimentation HCK44 (optionnel) peut être utilisé au lieu du câble d'alimentation électrique domestique. Voir les instructions incluses avec l'ensemble de cordon d'alimentation HCK44.

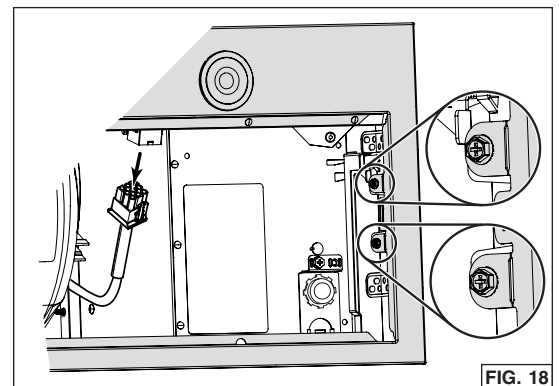


INSTALLATION EN ÉVACUATION HORIZONTALE SEULEMENT

5. Retirer et se défaire de la vis encrclée dans la FIG. 17. NOTE : Cette vis peut être présente ou pas.



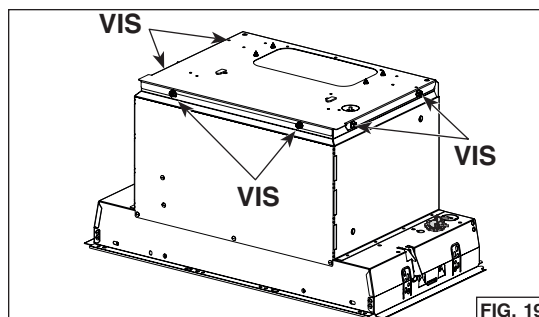
6. Débrancher le câble du ventilateur de son connecteur situé sur le châssis. Démontez le châssis de la hotte en retirant ses 4 vis de retenue (deux par côté, encrclées dans la FIG. 18) de la coque de l'appareil. Mettre de côté le châssis avec ses vis.



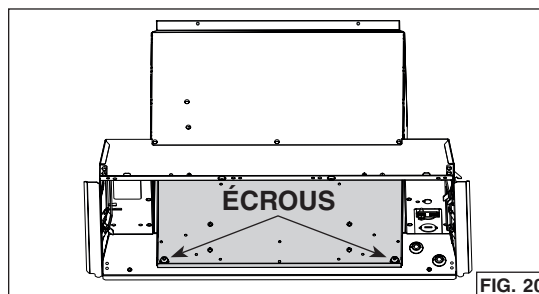
PRÉPARATION DE L'APPAREIL (SUITE)

INSTALLATION EN ÉVACUATION HORIZONTALE SEULEMENT (SUITE)

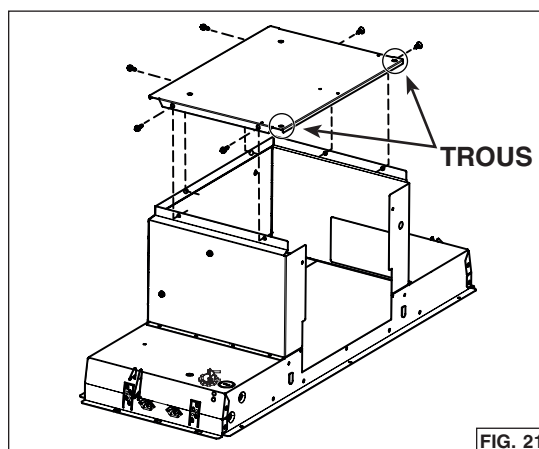
- Retirer les 6 vis (2 à l'avant et 2 par côté) retenant la plaque de support du ventilateur au dessus de la hotte (FIG. 19). Soulever soigneusement cette plaque avec le ventilateur et la mettre de côté. La plaque avec le ventilateur sera réinstallée plus tard dans l'appareil.



- Par l'intérieur de l'appareil, détacher la plaque arrière (en gris dans la FIG. 20) en retirant ses 2 écrous de retenue à l'aide d'une douille de 3/8 po de diamètre. Mettre de côté les écrous et la plaque.



- Installer la plaque arrière sur le dessus de l'appareil, où se trouvait la plaque de support du ventilateur. La placer de façon à ce que les trous situés près des coins se trouvent à l'arrière de l'appareil. L'assembler au dessus de l'appareil à l'aide des 6 vis retirées précédemment à l'étape 7 (FIG. 21).



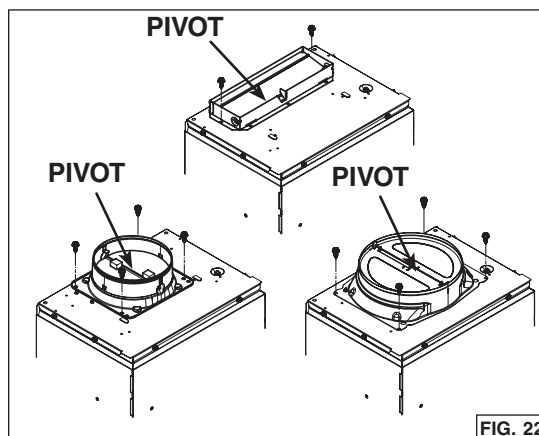
INSTALLATION EN ÉVACUATION VERTICALE SEULEMENT

- Pour un conduit rectangulaire, utiliser 2 vis à métaux n° 8-18 x 1/4 po (incluses) pour fixer l'adaptateur/volet de 3 1/4 po x 10 po (inclus) sur le dessus de l'appareil, par dessus l'ouverture d'évacuation du ventilateur (FIG. 22).

NOTE: Le pivot du volet doit être placé vers l'avant de l'appareil.

Pour un conduit rond, utiliser 4 vis à métaux n° 8-18 x 1/4 po (incluses) pour fixer l'adaptateur/volet de 6 po rond (ou 8 po rond) inclus sur le dessus de l'appareil, par dessus l'ouverture d'évacuation du ventilateur (FIG. 22).

NOTE: Le pivot du volet doit être parallèle aux côtés de la hotte.



INSTALLATION DE L'APPAREIL

1. Acheminer le câble d'alimentation électrique du panneau de distribution jusqu'à l'emplacement de l'appareil. Prévoir une longueur de 2 pi à l'intérieur de l'armoire. Passer le câble d'alimentation dans la hotte à travers le serre-fils de 7/8 po de diamètre péalablement installé.

NOTE : Non nécessaire si l'ensemble de cordon d'alimentation HCK44 est utilisé.

2. Insérer l'appareil dans l'armoire, jusqu'à ressentir un « clic » provenant des deux côtés de l'appareil, confirmant que les crochets *Ease of Install* s'appuient sur le dessus des côtés de la base de l'armoire ❶, ou sur les rebords des supports d'armoire ❷ ou ❸ (FIG. 23). Bouger l'appareil de gauche à droite, d'avant à l'arrière et le lever pour vérifier que les crochets *Ease of Install* retiennent l'appareil à l'intérieur de l'armoire.

NOTE : L'appareil dépassera un peu l'armoire jusqu'à ce qu'il soit vissé dans celle-ci.

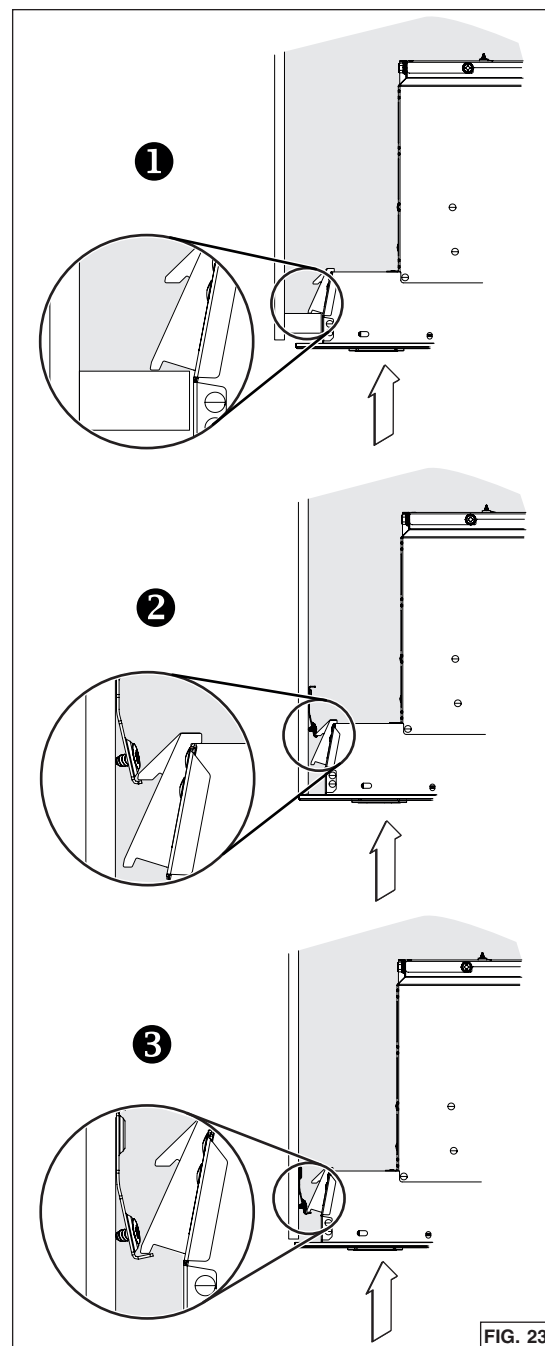


FIG. 23

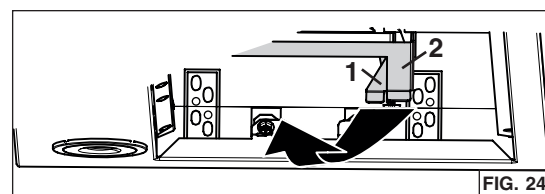


FIG. 24

NOTE : Si, pour quelque raison que ce soit, l'appareil devait être enlevé de l'armoire, il est possible de désengager les crochets *Ease of Install*. Pour ce faire, tout en retenant la hotte et en poussant sur un de ses côtés, lever simultanément les deux leviers des crochets *Ease of Install* (1 et 2, en gris dans la FIG. 24) de l'autre côté de la hotte jusqu'à ce que les crochets soient désengagés.

INSTALLATION DE L'APPAREIL (SUITE)

3. Lever la hotte jusqu'à ce que son rebord s'appuie sur la base de l'armoire. Fixer la hotte à l'armoire à l'aide de 4 vis à bois n° 8 x 5/8 po incluses dans le sac de pièces (2 vis par côté). Utiliser les trous supérieurs ou inférieurs (1, 2, 3, 4, 5 ou 6) (FIG. 25).

⚠ AVERTISSEMENT

Les crochets *Ease of Install* retiennent la hotte TEMPORAIREMENT en place. La hotte DOIT ÊTRE fixée à l'armoire avec les 4 vis.

⚠ AVERTISSEMENT

Ne jamais se servir de cet appareil comme tablette.

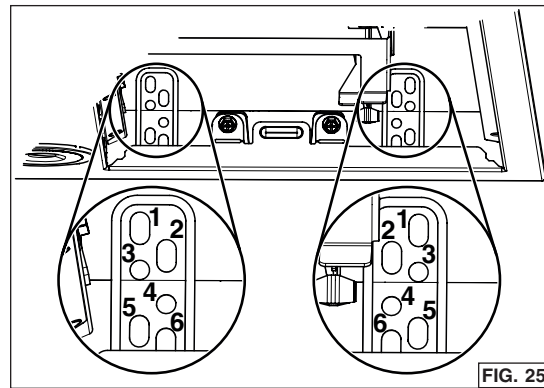


FIG. 25

INSTALLATION EN ÉVACUATION HORIZONTALE SEULEMENT

4. Par l'intérieur de la hotte, glisser l'adaptateur/volet de 3¼ po x 10 po dans le conduit horizontal, puis le fixer à la hotte à l'aide de ruban adhésif de métal tout autour de celui-ci (FIG. 26). S'assurer que le volet ouvre tel qu'il est illustré dans la vue de côté du volet.

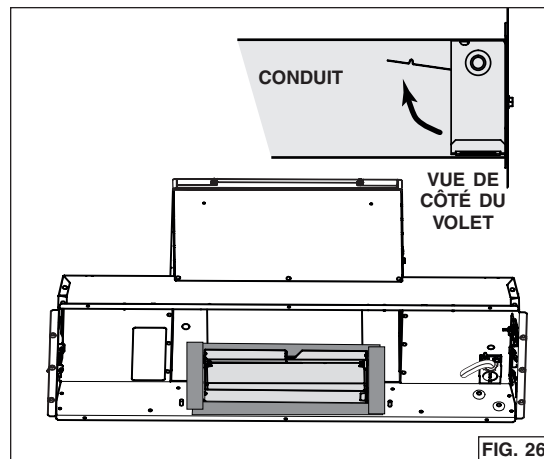


FIG. 26

5. Insérer le ventilateur avec sa plaque à l'intérieur de la hotte, à l'endroit où se trouvait la plaque arrière (A). Fixer la plaque à la hotte avec les 2 écrous retirés précédemment à l'étape 8 en page 11 (B) (FIG. 27).

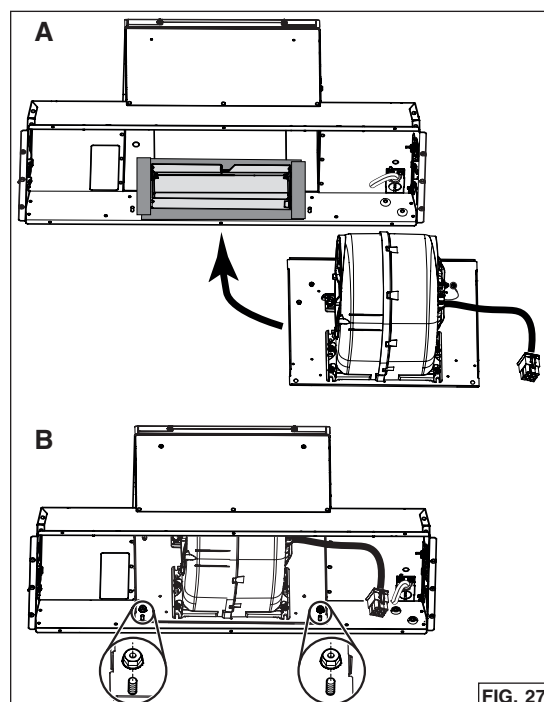


FIG. 27

INSTALLATION DE L'APPAREIL (SUITE)

INSTALLATION EN ÉVACUATION HORIZONTALE SEULEMENT (SUITE)

- Réinstaller et fixer le châssis sur la hotte à l'aide des 4 vis de retenue (deux par côté, encadrées dans la FIG. 28). Brancher le câble du ventilateur à son connecteur situé sur le châssis.

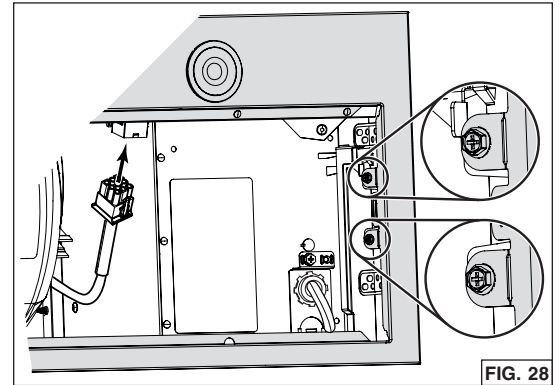


FIG. 28

RACCORDEMENT DU CONDUIT

INSTALLATION EN ÉVACUATION VERTICALE SEULEMENT

Installation avec conduit

Utiliser un conduit de métal rond de 6 po, de 8 po, ou de 3¼ po x 10 po pour relier l'adaptateur/volet sur le dessus de la hotte au réseau de conduit (FIG. 29, 8 po rond non illustré). Sceller le joint avec du ruban adhésif de métal.

Installation en recirculation

Un ensemble de recirculation est requis pour ce type d'installation (vendu séparément). Pour l'installation, suivre les directives incluses avec cet ensemble. Consulter le tableau ci-dessous pour connaître le modèle correspondant à l'appareil.

Modèle de l'appareil	Modèle d'ensemble de recirculation
HBN1246SS	HARKBN24
HBN1306SS	HARKBN30

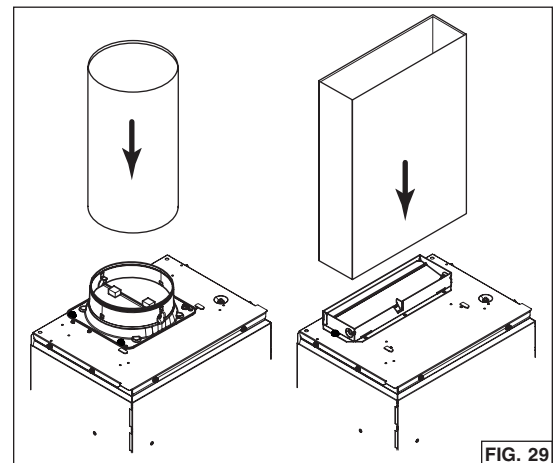


FIG. 29

BRANCHEMENT ÉLECTRIQUE

⚠ AVERTISSEMENT

Risque d'électrocution. Le raccordement électrique doit être effectué par du personnel qualifié conformément aux codes et aux standards en vigueur. Avant d'effectuer le branchement, coupez l'alimentation électrique au panneau de distribution et verrouillez-le pour éviter une mise en marche accidentelle.

1. À l'aide de capuchons de connexion appropriés (non inclus), connecter les fils du câble d'alimentation électrique aux fils de la hotte comme suit : le fil NOIR au fil NOIR, le fil BLANC au fil BLANC et le fil VERT ou dénudé à la vis VERTE de mise à la terre (FIG. 30).
2. Remettre en place le couvercle du compartiment électrique en s'assurant que les pattes du bas sont insérées dans leur emplacement surélevé. Le fixer à la hotte à l'aide de sa vis de retenue (FIG. 31).

ATTENTION

Prendre garde de ne pas pincer les fils lors de la remise en place du couvercle.

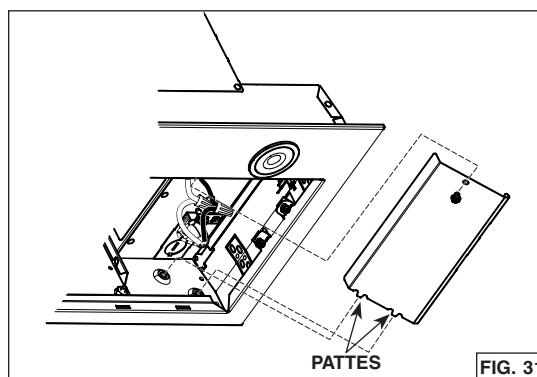
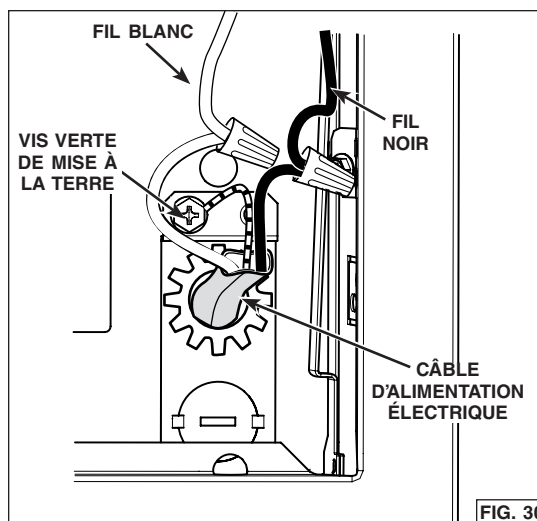
INSTALLATION DES FILTRES

Installation avec conduits

Remettre en place les filtres à chicanes hybrides.

Installation en recirculation

Attacher les filtres de recirculation (inclus avec l'ensemble HARKBN24 ou HARKBN30) à l'endos des filtres à chicanes hybrides à l'aide des clips (incluses avec les filtres de recirculation). Pour commander de nouveaux filtres de recirculation, demander la pièce n° S99010464-124 pour le modèle HBN1246SS et la pièce n° S99010464-130 pour le modèle HBN1306SS.



Déclarations FCC/IC

Contient FCC ID : 2AC7Z-ESP32WROVERE

Contient IC : 21098- ESPWROVERE

DÉCLARATION DE CONFORMITÉ FCC

Cet appareil est conforme à la partie 15 des règles de la FCC. Son fonctionnement est soumis aux deux conditions suivantes :

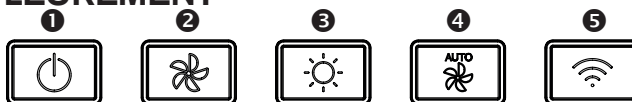
(1) cet appareil ne doit pas provoquer d'interférences nuisibles, et (2) il doit accepter toute interférence reçue, y compris les interférences pouvant entraîner un mauvais fonctionnement.

AVIS D'INDUSTRIE CANADA

Cet appareil est conforme aux normes d'exemption de licence RSS d'Industrie Canada. Son utilisation est soumise aux deux conditions suivantes :

(1) cet appareil ne doit pas provoquer d'interférences et (2) cet appareil doit accepter toute interférence, y compris les interférences qui peuvent causer un mauvais fonctionnement de l'appareil.

COMMANDE À EFFLEUREMENT



NOTES: 1. À chaque fois qu'on appuie sur une touche, un bip est émis pour confirmer la commande. Pour désactiver, lorsque le ventilateur et l'éclairage sont éteints, appuyer durant 5 secondes sur la touche Éclairage (3). Pour réactiver, lorsque le ventilateur et l'éclairage sont éteints, appuyer une autre fois durant 5 secondes sur la touche Éclairage (3).

2. À chaque fois qu'on appuie sur une touche, son rétroéclairage s'allume. Quand une fonction est désactivée, le rétroéclairage de la touche correspondante s'éteint.

1 MARCHE/ARRÊT principal:

Appuyer sur cette touche pour allumer l'éclairage et démarrer le ventilateur à la dernière intensité sauvegardée. Le rétroéclairage de cette touche, ainsi que celui des touches du ventilateur et de l'éclairage s'allumeront. Appuyer sur cette touche lorsque l'éclairage ou le ventilateur est en marche sauvegarde la vitesse du ventilateur et le niveau d'éclairage avant de les éteindre.

Lorsque le ventilateur ou l'éclairage est activé en appuyant directement sur leur touche respective, le rétroéclairage de la touche MARCHE/ARRÊT principal s'allume aussi. Lorsque l'éclairage et le ventilateur sont éteints (à l'aide de leur touche respective), le rétroéclairage de la touche MARCHE/ARRÊT principal s'éteint.

2 Ventilateur:

Lorsque le ventilateur est arrêté, appuyer sur cette touche pour activer le ventilateur à la dernière vitesse sauvegardée. Si aucune vitesse n'a été sauvegardée, le ventilateur sera réglé en BASSE vitesse. Pour changer la vitesse, appuyer sur la touche jusqu'à l'obtention de la vitesse désirée (de BASSE, à MOYENNE-BASSE, à MOYENNE-HAUTE, à HAUTE vitesse, à ARRÊT).

Lorsque le ventilateur est EN MARCHÉ (peu importe la vitesse), une pression longue sur la touche arrête le ventilateur et sa dernière vitesse est gardée en mémoire.

Rappel d'entretien du filtre

Lorsque l'utilisateur arrête le ventilateur et que le rétroéclairage de la touche ventilateur clignote lentement durant 30 secondes, ça signifie qu'il est temps de nettoyer la hotte et ses filtres (voir la section Entretien et nettoyage en page 20). Le clignotement se produira à toutes les fois où l'utilisateur arrêtera le ventilateur (et que la minuterie n'aura pas été remise à zéro).

Une fois le nettoyage effectué, remettre à zéro la minuterie comme suit: lorsque le ventilateur est arrêté et durant la période de clignotement de 30 secondes, appuyer longuement sur la touche ventilateur jusqu'à l'arrêt du clignotement du rétroéclairage.

3 Éclairage:

Appuyer sur cette touche pour allumer les lumières à la dernière intensité d'éclairage sauvegardée. Si aucune intensité d'éclairage n'a été sauvegardée, l'éclairage sera réglé en BASSE intensité. Pour changer l'éclairage, appuyer sur la touche jusqu'à l'obtention de l'intensité désirée (de BASSE, à MOYENNE, à HAUTE intensité, à ÉTEINT).

Lorsque l'éclairage est ALLUMÉ, une pression longue sur la touche ÉTEINT les lumières et la dernière intensité est gardée en mémoire. La prochaine fois que les lumières seront allumées (avec la touche d'éclairage ou avec la touche MARCHE/ARRÊT principal), elles éclaireront à la dernière intensité sauvegardée.

4 Auto (SMART SENSE):

Lorsque le ventilateur est ARRÊTÉ, appuyer sur cette touche pour activer le mode Auto. Lorsqu'une activité de cuisson est détectée, cette fonction activera automatiquement le ventilateur et réglera sa vitesse selon la chaleur détectée au-dessus de la surface de cuisson. Le ventilateur s'arrêtera automatiquement lorsqu'il n'y aura plus assez de chaleur détectée.

Lorsque la hotte est arrêtée durant une période de 3 minutes, le rétroéclairage de la touche Auto s'éteindra automatiquement. Appuyer sur n'importe quelle touche réallumera son rétroéclairage.

Pour arrêter le mode Auto, appuyer longuement sur cette touche jusqu'à ce que le rétroéclairage s'éteigne.

Réglage manuel de la vitesse en mode Auto:

Lorsque le mode Auto est activé, il est possible de modifier manuellement la vitesse du ventilateur à l'aide de la touche du ventilateur. Le rétroéclairage de la touche s'éteindra pour indiquer que le mode Auto est en pause (jusqu'à ce que le ventilateur soit ARRÊTÉ manuellement). Lorsque la chaleur est suffisamment basse sur la surface de cuisson, le mode Auto sera automatiquement rétabli et son rétroéclairage s'allumera.

Caractéristiques du mode Auto:

- Le capteur du mode Auto mesure la température sur la surface de cuisson émise par la cuisson.
- La vitesse du ventilateur peut augmenter lors du retrait d'une casserole ou d'une poêle d'une surface de cuisson encore chaude. Ce n'est pas inhabituel car le capteur détecte une élévation de température.
- Le ventilateur peut s'ARRÊTER lors d'une cuisson à feu très doux, particulièrement avec des appareils à induction.
- Le ventilateur peut s'ARRÊTER temporairement lors de l'ajout d'aliments froids ou congelés dans la casserole/poêle. Lorsque les aliments ont réchauffé suffisamment, le ventilateur REDÉMARRERA automatiquement.
- Le ventilateur peut démarrer automatiquement lors de l'ouverture de la porte d'un four chaud ou lorsque la fonction auto-nettoyante du four est en marche.
- Il peut se produire un court délai avant que le ventilateur DÉMARRE lors du début de cuisson, le temps que la casserole/poêle se réchauffe.
- Une fois la cuisson terminée, il est normal que le ventilateur demeure EN MARCHÉ pour une courte période de temps jusqu'à ce que la surface de cuisson/casserole/poêle refroidisse.

5 Wi-Fi/Bluetooth®:

Voir la page 17.

WI-FI/BLUETOOTH®

Utiliser cette touche pour jumeler la hotte (via Bluetooth®) à un appareil intelligent et à la connecter à votre réseau Wi-Fi domestique, ou désactiver le Wi-Fi/Bluetooth.

ACTIVATION DU MODE DE JUMELAGE

Avant de commencer, s'assurer que le ventilateur et les lumières sont ÉTEINTS.

Appuyer sur la touche durant 3 secondes pour amorcer le processus de jumelage, si la fonction Wi-Fi/Bluetooth était ARRÊTÉE, elle se RÉACTIVERA. Le rétroéclairage de la touche clignotera (15 sec.) pour indiquer que l'appareil est prêt à être jumelé.

FONCTIONNALITÉ WI-FI/BLUETOOTH

Pour ARRÊTER la fonction Wi-Fi/Bluetooth, appuyer durant 3 secondes sur la touche. Lorsque son rétroéclairage clignote, appuyer sur la touche MARCHE/ARRÊT principal (❶) durant 3 secondes. La fonction Wifi/Bluetooth s'ARRÊTERA et le rétroéclairage de la touche s'ÉTEINDRA. Pour RÉACTIVER la fonction Wi-Fi/Bluetooth, appuyer sur la touche durant 3 secondes. Lorsque la hotte est arrêtée durant une période de 3 minutes, le rétroéclairage de la touche W-Fi-Bluetooth s'éteindra automatiquement. Appuyer sur n'importe laquelle touche rallumera son rétroéclairage.

RÉINITIALISATION WI-FI/BLUETOOTH

Pour réinitialiser la connectivité Wi-Fi/Bluetooth (effacer les dispositifs sauvegardés et déconnecter du réseau Wi-Fi), appuyer sur la touche durant 3 secondes. Lorsque le rétroéclairage clignote, appuyer encore durant 10 secondes.

CE QU'IL FAUT POUR CONNECTER VOTRE APPAREIL WI-FI/BLUETOOTH

Avant de connecter votre hotte au réseau Wi-Fi, vous aurez besoin :

- D'un appareil intelligent muni du plus récent système d'exploitation iOS ou Android
- Que cet appareil intelligent ait accès à l'internet et que le Wi-Fi et le Bluetooth soient activés
- Que cet appareil intelligent se trouve à l'intérieur de 5 mètres (16 pi) de la hotte
- Que la hotte soit à l'intérieur du périmètre du signal Wi-Fi de votre réseau domestique
- Du nom et du mot de passe de votre réseau Wi-Fi domestique
- Pas d'autre appareil intelligent activé Bluetooth dans les environs.

CONNEXION DE VOTRE APPAREIL WI-FI/BLUETOOTH

1. Télécharger l'application Best Kitchen.



2. Suivre les instructions de l'application.
3. Balayer le code QR ci-dessous pour obtenir plus de détails sur l'installation et l'utilisation de l'application.



Apple et le logo Apple sont des marques de Apple Inc., enregistrées aux É.-U. et dans d'autres pays.

App Store est une marque de service d'Apple Inc., enregistrée aux É.-U. et dans d'autres pays.

Google Play et le logo Google Play sont des marques de commerce de Google LLC.

Le mot servant de marque et les logos *Bluetooth*® sont des marques déposées appartenant à Bluetooth® SIG, Inc. et sont utilisés sous licence par Best. Les autres marques de commerce et appellations commerciales sont celles de leurs propriétaires respectifs.

WI-FI/BLUETOOTH® **UTILISATION DE VOTRE APPAREIL CONNECTÉ**

Une fois votre hotte connectée convenablement, vous pouvez profiter de toutes ses fonctionnalités par l'application. Même si vous n'êtes pas dans l'entourage de la hotte, vous pouvez la contrôler par l'appli à l'aide de votre réseau Wi-Fi.

COMMANDE VOCALE

Vous pouvez contrôler votre hotte via votre assistant vocal personnel (Alexa ou Google Home).

UTILISATION DE L'APPLI ALEXA OU HAUT-PARLEUR OU ÉCRAN ALEXA

Il est possible de renommer votre hotte à l'aide de l'appli Alexa. Garder en tête que le nouveau nom ne sera reconnu que par Alexa seulement.

Voici quelques commandes vocales courantes à utiliser avec Alexa pour contrôler votre hotte :

Hotte

Alexa, ALLUME la hotte

Alexa, ÉTEINS la hotte

Ventilateur

Alexa, ALLUME le ventilateur de la hotte

Alexa, ÉTEINS le ventilateur de la hotte

Alexa, mets le ventilateur de la hotte à/sur un

Alexa, mets le ventilateur de la hotte à/sur deux

Alexa, mets le ventilateur de la hotte à/sur trois

Alexa, mets le ventilateur de la hotte à/sur quatre

Éclairage

Alexa, ALLUME l'éclairage de la hotte

Alexa, ÉTEINS l'éclairage de la hotte

Alexa, mets l'éclairage de la hotte à/sur un

Alexa, mets l'éclairage de la hotte à/sur deux

Alexa, mets l'éclairage de la hotte à/sur trois

UTILISATION DE L'ASSISTANT PERSONNEL, HAUT-PARLEUR OU ÉCRAN, DE GOOGLE

Dites «Hey Google» et Google commencera à écouter vos commandes. Voici quelques commandes vocales courantes à utiliser avec Google pour contrôler votre hotte :

Range hood

Hey Google, turn ON the range hood

Hey Google, turn the range hood ON

Hey Google, turn OFF the range hood

Hey Google, turn the range hood OFF

Fan:

Hey Google, turn ON the range hood fan

Hey Google, turn OFF the range hood fan

Hey Google, set the range hood fan speed to one

Hey Google, set the range hood fan speed to two

Hey Google, set the range hood fan speed to three

Hey Google, set the range hood fan speed to four

Lights

Hey Google, turn ON the range hood lights

Hey Google, turn OFF the range hood lights

Hey Google, set the range hood lights to one

Hey Google, set the range hood lights to two

Hey Google, set the range hood lights to three

NOTE : Instructions en français à venir.

MISE À JOUR DU MICROPROGRAMME

Des mises à jour périodiques du microprogramme vous assurent de pouvoir profiter du meilleur de votre appareil. Vous pourrez explorer de nouvelles caractéristiques au fur et à mesure qu'elles seront développées. Un compte d'utilisateur Best doit être créé afin de pouvoir bénéficier de ces mises à jour.

Lorsque des mises à jours sont disponibles, vous en serez avisé via l'application. Nous recommandons d'installer les mises à jour dès qu'elles sont disponibles; ça ne prend que quelques minutes. Pour profiter des mises à jour, vous aurez besoin que :

- la hotte soit connectée à votre réseau domestique Wi-Fi
- l'application Best kitchen soit installée et configurée convenablement dans votre appareil intelligent.

HEAT SENTRY^{MC}

Votre appareil est équipé d'un thermostat HEAT SENTRY^{MC}.

Ce thermostat est un dispositif qui activera ou augmentera la vitesse du ventilateur s'il détecte une chaleur excessive au-dessus de la surface de cuisson.

- 1) Si le ventilateur est en ARRÊT, il activera le ventilateur en HAUTE vitesse.
- 2) Si le ventilateur est en MARCHÉ à une vitesse plus basse, il activera le ventilateur en HAUTE vitesse.

Lorsque la température revient à la normale, le ventilateur retournera à son réglage initial.

NOTE : Lorsque le Heat Sentry est activé, le rétroéclairage de la touche du ventilateur clignote lentement et la vitesse du ventilateur ne peut être changée.

⚠ AVERTISSEMENT

Le thermostat HEAT SENTRY peut activer le ventilateur même lorsqu'il est arrêté. Lorsque ça se produit, il est impossible d'arrêter le ventilateur avec son interrupteur. Si vous devez arrêter le ventilateur, régler l'interrupteur principal situé derrière les filtres, du côté interne du châssis de la hotte), en position ARRÊT (s'il est possible de le faire sécuritairement). Voir le médaillon de la FIG. 32.

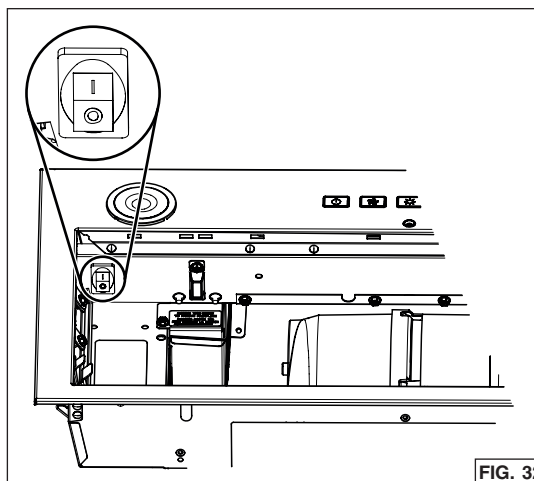


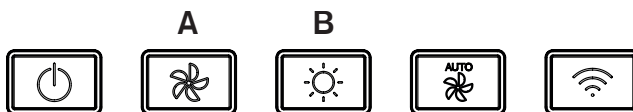
FIG. 32

ACTIVATION DE L'OPTION CODE READY^{MC} TECHNOLOGY

L'option Code Ready Technology permet d'abaisser le débit du ventilateur réglé en usine de 600 pi³/min à un de 400 pi³/min ou 300 pi³/min. L'activation de l'option CRT réduira le débit maximal du ventilateur, afin que celui-ci ne dépasse pas les limites permises par les codes MUA (Make-Up Air), pour satisfaire aux exigences de certains codes du bâtiment. Ne pas tenter de modifier le débit du ventilateur, à moins que ce changement soit requis par un code. Cette modification affectera la performance de votre produit.

- NOTES IMPORTANTES :**
1. Une fois modifié, le débit du ventilateur **NE POURRA ÊTRE RÉTABLI**.
 2. Le CRT ne peut être réglé que durant les 5 premières minutes de l'arrivée du courant à la hotte.
 3. Une interruption de courant à la hotte ne désactivera pas l'option CRT.
 4. Le ventilateur et l'éclairage doivent être éteints.

PROCÉDURE CRT



1. Régler l'interrupteur principal (situé derrière le filtre) en position MARCHÉ, puis appuyer simultanément sur les touches du ventilateur (A) et de l'éclairage (B) durant 5 secondes; le rétroéclairage des touches du ventilateur (A) et de l'éclairage (B) clignoteront pour indiquer que la procédure CRT est enclenchée.

DÉBIT MAXIMUM DE 400 pi³/MIN

2. Pour régler le débit maximal à 400 pi³/min, appuyer sur la touche du ventilateur (A) durant 5 secondes, puis, relâcher la pression; le rétroéclairage de la touche du ventilateur clignotera pour indiquer que le débit de 400 pi³/min a été choisi (le rétroéclairage de la touche de l'éclairage (B) sera éteint).
3. Appuyer une deuxième fois sur la touche du ventilateur (A) durant 5 secondes, puis relâcher pour confirmer la sélection; le rétroéclairage de la touche du ventilateur clignotera deux fois rapidement et un double bip se fera entendre. La commande retournera à son fonctionnement normal.
4. Repérer l'étiquette CRT située près de l'étiquette de certification HVI, à l'intérieur de la hotte, derrière le filtre, et y cocher la case appropriée (400 pi³/min).

DÉBIT MAXIMUM DE 300 pi³/MIN

2. Pour régler le débit maximal à 300 pi³/min, appuyer sur la touche de l'éclairage (B) durant 5 secondes, puis, relâcher la pression; le rétroéclairage de la touche de l'éclairage clignotera pour indiquer que le débit de 300 pi³/min a été choisi (le rétroéclairage de la touche du ventilateur (A) sera éteint).
3. Appuyer une deuxième fois sur la touche de l'éclairage (B) durant 5 secondes, puis relâcher pour confirmer la sélection; le rétroéclairage de la touche de l'éclairage clignotera deux fois rapidement et un double bip se fera entendre. La commande retournera à son fonctionnement normal.
4. Repérer l'étiquette CRT située près de l'étiquette de certification HVI, à l'intérieur de la hotte, derrière le filtre, et y cocher la case appropriée (300 pi³/min).

ENTRETIEN

TOUJOURS COUPER L'ALIMENTATION ÉLECTRIQUE AVANT D'EFFECTUER UNE QUELCONQUE OPÉRATION SUR CET APPAREIL.

Filtres à chicanes hybrides

Les filtres à chicanes hybrides doivent être nettoyés fréquemment. Utiliser une solution d'eau chaude et de détergent. Les filtres sont lavables au lave-vaisselle.

Nettoyer les filtres au lave-vaisselle à l'aide d'un détergent sans phosphate. L'utilisation d'un détergent avec phosphates ainsi que les conditions locales de l'eau peuvent entraîner une décoloration des filtres, sans toutefois affecter leur performance. Cette décoloration n'est pas couverte par la garantie. Afin de prévenir ou de limiter la décoloration, laver les filtres à la main avec un détergent doux.

Filtres de recirculation

Les filtres de recirculation doivent être remplacés tous les 3 à 6 mois. Les remplacer plus souvent si vos habitudes de cuisson génèrent plus de graisses, comme par exemple la friture ou les aliments sautés au wok.

NETTOYAGE DE L'ACIER INOXYDABLE

À faire :

- Laver régulièrement les surfaces à l'aide d'un chiffon propre imbibé d'eau chaude et de savon doux ou de détergent liquide à vaisselle.
- Toujours nettoyer dans le sens du polissage.
- Toujours bien rincer avec de l'eau claire (2 à 3 fois) et essuyer complètement.
- Un nettoyeur domestique conçu spécialement pour l'acier inoxydable peut aussi être utilisé.

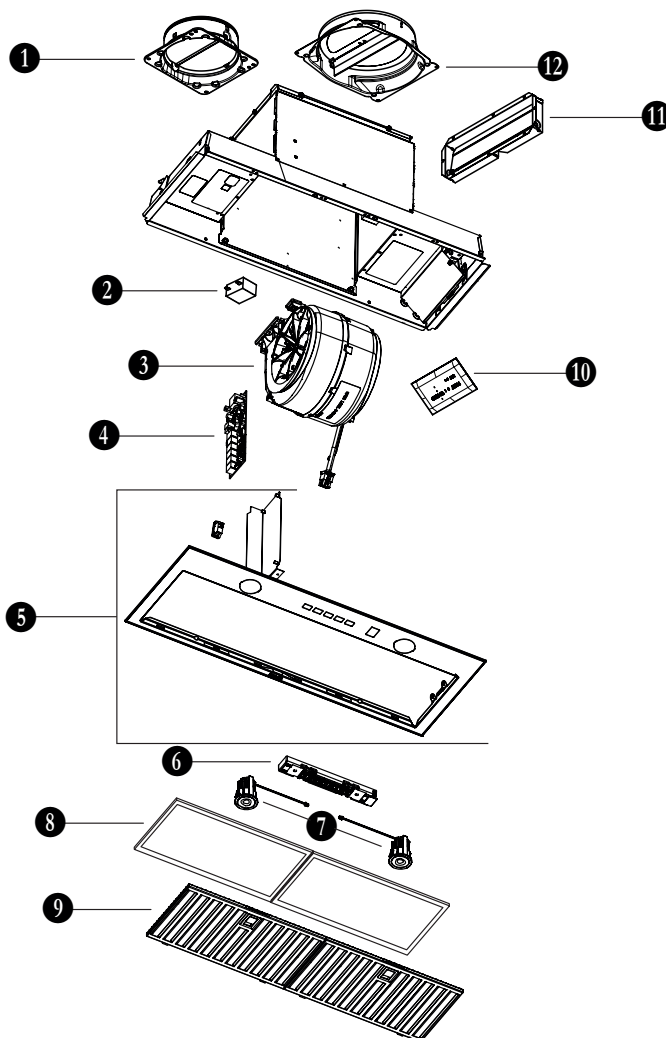
À ne pas faire :

- Ne pas utiliser de laine d'acier ou d'acier inoxydable ou tout autre grattoir pour enlever la saleté tenace.
- Ne pas utiliser une poudre nettoyante abrasive ou rugueuse.
- Ne pas laisser la saleté s'accumuler.
- Ne pas laisser la poussière de plâtre ou tout autre résidu de construction atteindre l'appareil. Couvrir l'appareil pour la durée des travaux afin de s'assurer qu'aucune poussière ne l'atteigne.

À éviter lors du choix d'un détergent :

- Tous produits nettoyants contenant des **agents de blanchiment**; ils attaqueront l'acier inoxydable.
- Tous produits contenant du **chlorure**, du **fluorure**, de l'**iode** ou du **bromure**; ils détérioreront rapidement les surfaces.
- Tous produits combustibles utilisés pour le nettoyage : **acétone**, **alcool**, **éther**, **benzène**, etc.; ils sont grandement explosifs et ne devraient jamais être utilisés près d'une cuisinière.

HBN1246SS,
HBN1306SS



PIÈCES DE RECHANGE

REPÈRE	N° DE PIÈCE	DESCRIPTION	HBN1246SS	HBN1306SS
1	SV08487	ADAPTATEUR/VOLET 6 PO ROND	1	1
2	S99271379	CONDENSATEUR 25 µF	1	1
3	S97021509	VENTILATEUR 600 PI ³ /MIN	1	1
4	S1108581	CARTE ÉLECTRONIQUE PRINCIPALE	1	1
5	S98012198-809	CHÂSSIS	1	
	S98012198-810	CHÂSSIS		1
6	S1108775	COMMANDE À EFFLEUREMENT 5 BOUTONS	1	1
7	S99271694	ENSEMBLES DE MODULE DEL (PAIRE)	1	1
8	S99010464-124	FILTRES AU CHARBON AVEC CLIPS (NON ILLUSTRÉES) (INSTALLATION SANS CONDUIT SEULEMENT, INCLUS DANS LE KIT DE RECIRCULATION N° HARKBN24) (PAIRE)	1	
	S99010464-130	FILTRES AU CHARBON AVEC CLIPS (NON ILLUSTRÉES) (INSTALLATION SANS CONDUIT SEULEMENT, INCLUS DANS LE KIT DE RECIRCULATION N° HARKBN30) (PAIRE)		1
9	HPFBN24	FILTRES À CHICANES HYBRIDES (PAIRE)	1	
	HPFBN30	FILTRES À CHICANES HYBRIDES (PAIRE)		1
10	S1104978	SAC DE PIÈCES INCLUANT: 4 VIS À MÉTAUX N° 8-18 x 1/4 PO, 4 VIS MÉCANIQUES N° 8-32 x 1/4 PO, 8 VIS À BOIS À TÊTE CYLINDRIQUE LARGE N° 8-15 x 5/8 PO.	1	1
11	SR740014	ADAPTATEUR/VOLET 3 1/4 PO x 10 PO	1	1
12	SV24383	ADAPTATEUR/VOLET 8 PO ROND	1	1
13	S1106565	CAPTEUR INFRAROUGE POUR FONCTIONNEMENT AUTOMATIQUE (INCLUANT LE FAISCEAU DE FILS) (NON ILLUSTRÉ)	1	1

GARANTIE LIMITÉE DE 5 ANS SUR LES PRODUITS BEST^{MC}

Période de garantie et exclusions: Broan-NuTone LLC (l'« entreprise ») garantit au consommateur qui achète son produit (« vous ») que le produit (le « produit ») restera exempt de défauts importants dans ses composants ou sa fabrication pendant une période de cinq (5) ans à compter de la date de l'achat initial (ou pour une période plus longue si la loi en vigueur l'exige) ou une période de deux (2) ans à compter de la date de la prestation d'un service sur le produit. La garantie limitée des pièces de rechange fournies par l'entreprise et de tout produit réparé ou remplacé en vertu de cette garantie est valide pour la durée non écoulée de la période de garantie initiale (ou d'une période plus longue si la loi en vigueur l'exige).

LA PRÉSENTE GARANTIE NE S'APPLIQUE PAS AUX DÉMARREURS DE LAMPE FLUORESCENTE, NI AUX TUBES, AMPOULES, FUSIBLES, FILTRES, CONDUITS, CAPUCHONS DE TOIT, CAPUCHONS MURAUX ET AUX AUTRES ACCESSOIRES POUR CONDUITS.

Cette garantie exclut : a) l'entretien normal, b) l'usure normale, c) les produits et les pièces ayant fait l'objet d'une utilisation mauvaise, abusive ou anormale, d'une négligence, d'un accident, d'un entretien ou d'un entreposage, d'une réparation ou d'un entretien inadéquats ou insuffisants (sauf s'il s'agit d'une réparation effectuée par l'entreprise), d) les dommages attribuables à une installation incorrecte ou à une installation ou utilisation contraires aux recommandations ou aux instructions, e) les dommages attribuables au contact de l'air salin, f) les dommages survenus durant le transport, g) l'usure normale de la finition, h) les produits d'utilisation commerciale ou non résidentielle, i) les dommages causés par le feu, une inondation ou une autre catastrophe naturelle, ou j) les produits dont le numéro de série a été altéré ou effacé. Cette garantie ne s'applique qu'aux produits vendus aux consommateurs en Amérique du Nord. La présente garantie remplace les garanties précédentes et, sous réserve de la loi applicable, n'est pas transférable par l'acheteur initial.

Aucune autre garantie: La présente garantie limitée énonce l'unique obligation de l'entreprise et votre seul recours pour les produits défectueux. Les garanties qui précèdent sont exclusives et l'emportent sur les autres garanties et modalités, expresses ou implicites. **DANS TOUTE LA MESURE PERMISE PAR LA LOI EN VIGUEUR, L'ENTREPRISE SE DÉGAGE DES AUTRES GARANTIES ET MODALITÉS EXPRESSES ET DES GARANTIES ET MODALITÉS IMPLICITES EN VERTU DE LA LOI, Y COMPRIS, SANS S'Y LIMITER, LES GARANTIES DE QUALITÉ MARCHANDE ET D'ADAPTATION À UN USAGE PARTICULIER.** Dans la mesure où la loi applicable interdit l'exclusion des garanties ou modalités implicites, la durée d'une garantie ou modalité implicite applicable est restreinte à la période indiquée pour la garantie expresse ci-dessus. Certains territoires de compétence (ce qui peut inclure la province de Québec ou certains États des États-Unis) interdisent les limites à la durée des garanties implicites; la restriction susmentionnée pourrait donc ne pas s'appliquer à vous. Les descriptions orales ou écrites du produit ont pour seul objet d'indiquer les produits et ne sauraient être interprétées dans le sens d'une garantie expresse.

Autant que possible, chaque disposition de cette garantie limitée est interprétée de sorte qu'elle soit valide sous le régime de la loi applicable, mais si l'une de ses dispositions est déclarée interdite ou nulle, cette disposition n'est nulle que dans la mesure de cette interdiction ou nullité, et les autres éléments de cette disposition ainsi que les autres dispositions de la garantie limitée restent valides.

Recours: Durant la période de la garantie limitée applicable, l'entreprise fournira, à son choix, des pièces de rechange ou des services de réparation ou de remplacement sans frais pour tout produit ou toute pièce de produit, dans la mesure où l'entreprise constate que la présente garantie limitée s'applique à ce produit ou à cette pièce dans le contexte d'une utilisation et d'un entretien normaux. L'entreprise vous expédiera le produit réparé, son remplacement ou les pièces de rechange sans frais. Vous assumez la totalité des coûts de mise hors service, de réinstallation, d'expédition et d'assurance et les autres frais de transport associés à la livraison du produit ou de la pièce à l'entreprise. Si vous devez envoyer le produit ou la pièce à l'entreprise, conformément à ses instructions, vous devez emballer adéquatement le produit ou la pièce; l'entreprise n'est pas responsable des dommages survenus durant le transport. L'entreprise se réserve le droit d'utiliser des produits ou pièces remis à neuf, réparés ou remanufacturés aux fins de réparation ou de remplacement dans le cadre de la garantie. Ces produits et ces pièces seront comparables quant à la fonction et aux performances avec les produits ou pièces d'origine, et protégés par une garantie pour la durée restante de la période de garantie initiale (ou d'une période plus longue si la loi en vigueur l'exige). L'entreprise se réserve le droit, à son entière discrétion, de rembourser le montant que vous avez effectivement payé pour le produit. Si le produit ou la pièce n'est plus disponible, elle peut le ou la remplacer par un produit similaire de valeur égale ou supérieure, à son entière discrétion. Ceci constitue votre seul recours advenant un non-respect de la présente garantie limitée.

Exclusion des dommages: L'OBLIGATION DE FOURNIR DES PIÈCES DE RECHANGE, OU DE RÉPARER OU REMPLACER LE PRODUIT, À SON CHOIX, EST VOTRE SEUL RECOURS EN VERTU DE LA PRÉSENTE GARANTIE LIMITÉE ET L'UNIQUE OBLIGATION DE L'ENTREPRISE. CETTE DERNIÈRE N'EST PAS RESPONSABLE DES DOMMAGES INDIRECTS OU SPÉCIAUX DÉCOULANT DIRECTEMENT OU INDIRECTEMENT DU PRODUIT, DE SON UTILISATION OU DE SES PERFORMANCES.

Certains territoires de compétence interdisent l'exclusion ou la restriction des dommages indirects; la restriction qui précède pourrait donc ne pas s'appliquer à vous. Cette garantie vous donne des droits spécifiques, et vous pourriez aussi avoir d'autres droits, qui varient selon le territoire de compétence. Les renoncements, exclusions et restrictions de responsabilité aux termes de cette garantie ne s'appliquent pas dans la mesure où la loi en vigueur interdit une telle application. La présente garantie ne s'applique qu'au remplacement ou à la réparation de produits ou pièces de produit défectueux effectué au principal lieu d'affaires de l'entreprise, et exclut les frais de déplacement et de subsistance liés aux services fournis sur le terrain.

Tout soutien que l'entreprise vous fournit ou vous procure et qui n'est pas visé par les dispositions, limites ou exclusions de la présente garantie limitée ne constitue pas une renonciation à ces dispositions, limites ou exclusions, et la fourniture de ce soutien ne prolonge ni ne rétablit la garantie.

L'entreprise ne vous remboursera pas vos dépenses faites pour la réparation ou le remplacement d'un produit défectueux, sauf celles pour lesquelles vous avez obtenu le consentement écrit de l'entreprise.

Comment obtenir le service de garantie: Pour avoir droit au service de garantie, vous devez: a) aviser l'entreprise à l'adresse ou au numéro de téléphone indiqué ci-dessous dans les sept (7) jours qui suivent la date où vous avez eu connaissance de la défectuosité couverte, b) indiquer le numéro de modèle et les données d'identification de la pièce, et c) décrire la nature de toute défectuosité du produit ou de la pièce. Au moment où vous demandez le service de garantie, vous devez présenter une preuve de la date de l'achat initial. Si vous ne pouvez pas produire de copie de l'original de la garantie limitée, alors ce seront les modalités de la dernière version de la garantie limitée de votre produit de l'entreprise qui s'appliqueront.

SPÉCIFICATIONS DU PRODUIT

Toutes les illustrations et les spécifications des produits contenues dans ce catalogue sont établies d'après les plus récentes données disponibles en date de la production. Broan-NuTone LLC et BEST^{MD} se réservent le droit de modifier les prix, les couleurs, les composants, les produits, les spécifications et les modèles, de déplacer le lieu de fabrication et de cesser la production d'un modèle ou d'un produit, et ce, en tout temps et sans préavis.

BEST 926 West State Street, Hartford, Wisconsin USA 53027 BestRangeHoods.com 800-558-1711

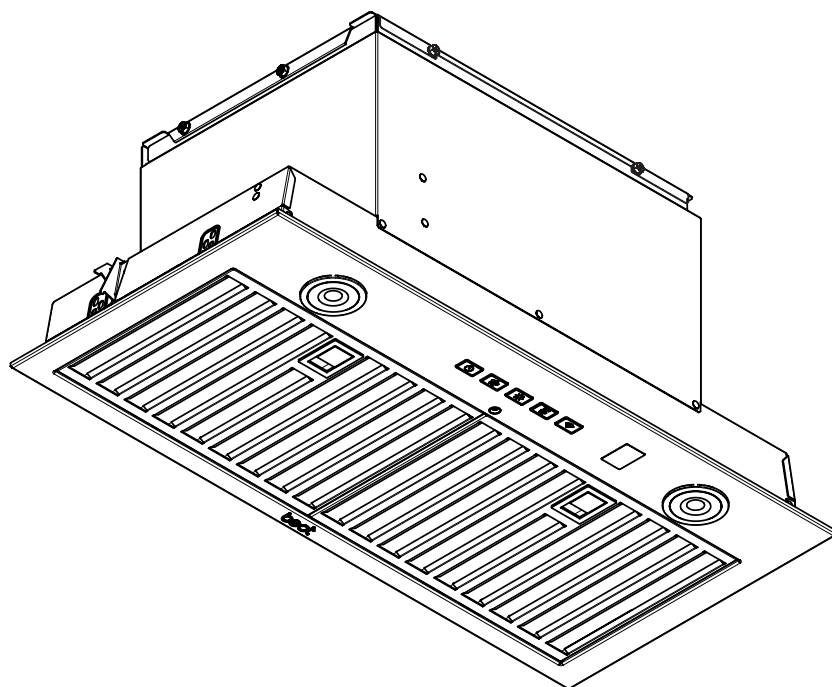
BEST 550 Lemire Blvd., Drummondville, Québec, Canada J2C 7W9 BestRangeHoods.ca 800-567-3855



Campanas empotrables

Serie HBN1

INSTRUCCIONES DE INSTALACIÓN, USO Y CUIDADO



Número serial:

1105023D

Seguridad	3-4
Instalación	5-15
Herramientas y accesorios recomendados	5
Contenido	5
Instalación de los conductos (Instalaciones con conductos únicamente)	5
Retirada del adaptador/compuerta	6
Retirada de los soportes del gabinete	6
Preparación del gabinete	7-9
Preparación del aparato	10-11
Instalación del aparato	12-14
Conexión del conducto	14
Conexión eléctrica	15
Instalación de los filtros	15
Funcionamiento	16-19
Control táctil	16
WiFi-Bluetooth®	17-18
Heat Sentry™	19
Activación de la opción Code Ready™ Technology	19
Mantenimiento y Limpieza	20
Filtros deflectores híbridos	20
Filtros de recirculación	20
Limpieza del acero inoxidable	20
Diagrama de cableado	21
Partes de servicio	22
Garantía	23

En EE.UU., registre su campana de cocina en línea en www.bestrangehoods.com
 En Canadá, registre su campana de cocina en línea en www.bestrangehoods.ca
 Para asistencia técnica, marcar el número de teléfono siguiente:
 En EE.UU.: 800-558-1711
 En Canadá: 800-567-3855

INSTALADOR: ENTREGUE ESTE MANUAL AL PROPIETARIO.

LEA ESTAS INSTRUCCIONES Y GUÁRDELAS

⚠ Exclusivamente para cocinas domésticas ⚠

⚠ ADVERTENCIA



PARA REDUCIR EL RIESGO DE INCENDIO, DESCARGA ELÉCTRICA O LESIÓN CORPORAL, RESPETE LAS SIGUIENTES INDICACIONES:



- Utilice esta unidad únicamente de la forma en que indica el fabricante. Si tiene cualquier pregunta, póngase en contacto con el fabricante en la dirección o el teléfono que aparecen en la garantía.
- Antes de reparar o limpiar el aparato, apáguelo en el tablero de servicio y bloquee los medios de desconexión para impedir que la corriente se conecte accidentalmente. Cuando no se pueda bloquear los medios de desconexión, coloque un dispositivo de advertencia visible (como una etiqueta) en el tablero de servicio.
- La instalación y la conexión eléctrica deben ser realizadas por personal calificado de acuerdo con todos los códigos y normas aplicables, incluso los relativos a la construcción ignífuga.
- Para lograr una combustión adecuada y una extracción correcta de los gases a través de la salida del humo (chimenea) del equipo quemador de combustible — evitando así el contratiro — es necesario disponer de aire suficiente. Siga las directrices del fabricante del equipo de material térmico y las normas de seguridad, como las que publica la NFPA (asociación de protección contra los incendios) y la ASHRAE (sociedad estadounidense de técnicos de calefacción, refrigeración y aire acondicionado) así como los códigos de los organismos responsables locales.
- Al cortar o perforar la pared o el techo, procure no dañar el cableado eléctrico ni otras instalaciones de servicios públicos.
- Los ventiladores entubados siempre deben tener salida al exterior.
- No use esta unidad con ningún otro control de velocidad de estado sólido.
- Para reducir el riesgo de incendio, utilice sólo tuberías metálicas.
- Este aparato debe conectarse a tierra.
- Se recomienda llevar gafas de seguridad y guantes de protección cuando instale, mantenga o repare este aparato.
- Cuando una reglamentación local esta en vigor y conlleva exigencias de instalación y/o de certificación mas estrictas, susodichas exigencias prevalecen sobre aquellas en este documento y el instalador acepta someterse a estas exigencias a sus gastos.

⚠ ADVERTENCIA



PARA REDUCIR EL RIESGO DE QUE ARDA LA GRASA EN LA PARTE SUPERIOR DE LA COCINA:

- a) No deje nunca recipientes de cocina a fuego vivo sin vigilancia. Los desbordamientos producen humo y derrames grasientos que pueden inflamarse. Caliente el aceite despacio, a fuego lento o mediano.
- b) Ponga en marcha siempre la campana extractora al cocinar a temperaturas elevadas o al cocinar alimentos flameados (crepas Suzette, cerezas jubilee, res con pimienta flambeada).
- c) Limpie el ventilador con frecuencia. No deje que la grasa se acumule en el ventilador, ni en los filtros o en los conductos de evacuación.
- d) Utilice cacerolas de tamaño apropiado. Emplee siempre un recipiente adecuado para el tamaño de la placa.

PARA REDUCIR EL RIESGO DE LESIONES CORPORALES EN EL CASO DE QUE ARDA LA GRASA EN LA PARTE SUPERIOR DE LA COCINA, SIGA ESTAS INDICACIONES*:

1. SOFOQUE LAS LLAMAS con una tapa ajustada, una hoja o bandeja metálica para hornear galletas, y apague luego el quemador. **TENGA CUIDADO PARA EVITAR QUEMADURAS. SI LAS LLAMAS NO SE APAGAN INMEDIATAMENTE, EVACUE EL LUGAR Y LLAME A LOS BOMBEROS.**
2. **NO SUJETE NUNCA UNA SARTÉN EN LLAMAS** ya que podría quemarse.
3. **NO USE AGUA**, ni trapos húmedos. Podría causar una violenta explosión de vapor.
4. Utilice un extintor **SOLAMENTE** si:
 - A. Tiene un extintor de tipo ABC y sabe usarlo.
 - B. El incendio es pequeño y está circunscrito a la zona donde empezó.
 - C. Ya ha llamado a los bomberos.
 - D. Puede tratar de apagar el fuego si dispone siempre de una salida detrás de usted.

* Fuente: "Kitchen Fire Safety Tips" publicado por la NFPA.

⚠ PRECAUCIÓN



- Sólo para una utilización en el interior.
- Para reducir los riesgos de incendio y extraer el aire debidamente, el aire debe evacuarse fuera. No extraiga el aire a espacios situados entre las paredes, en el techo o en el desván, falso techo o garaje.
- Utilice los agentes limpiadores o detergentes con prudencia.
- Evite el uso de alimentos que pueden inflamarse, debajo de la campana.
- Sólo para ventilación general. No debe utilizarse para extraer materiales o vapores peligrosos o explosivos.
- Para evitar daños en el cojinete del motor y que la hélice haga ruido o se desequilibre, mantenga la unidad de alimentación lejos de los vaporizadores de pirca, del polvo de la construcción, etc.
- El motor de la campana tiene un dispositivo contra sobrecargas térmicas que apaga el motor automáticamente si éste se sobrecalienta. El motor volverá a ponerse en marcha cuando se enfríe. Si el motor sigue apagándose, haga examinar el motor.
- Para lograr una mejor captura de las impurezas producidas al cocinar, la parte inferior de la campana deberá estar **A UN MÍNIMO de 24"** y un máximo de 30" sobre el nivel la superficie para cocina.
- Use solamente con juegos de cable para campana investigados y considerados aceptables para uso con este modelo de campana.
- Para mayor información y conocer los requisitos, lea la etiqueta con las especificaciones en el producto.

Para conocer las directrices de la ADA (*Ley para estadounidenses con discapacidades*) sobre la instalación, indicar su número de modelo en nuestro sitio web.

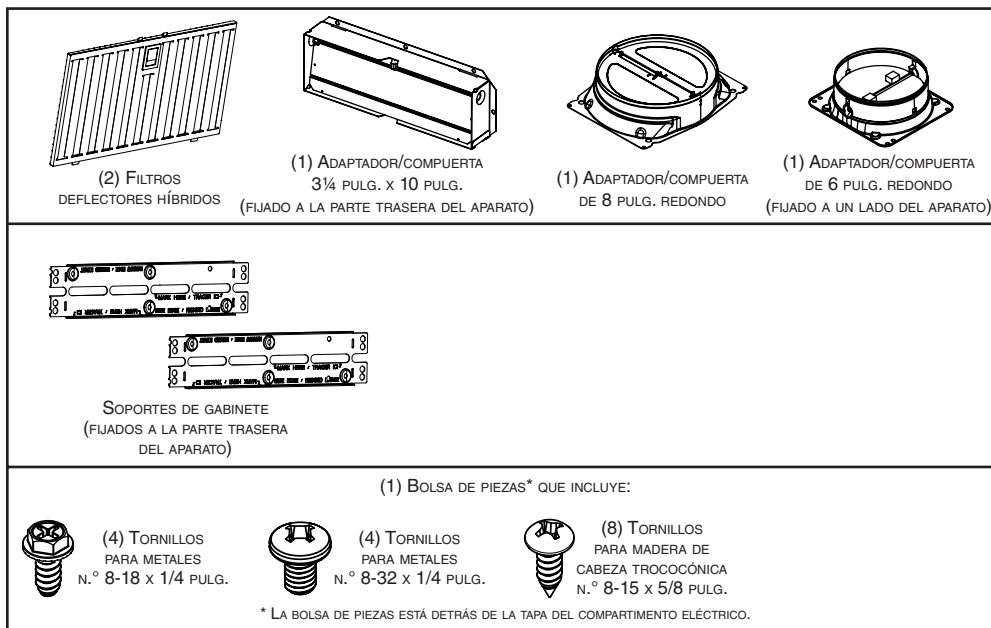
HERRAMIENTAS Y ACCESORIOS RECOMENDADOS

- Cinta métrica
- Destornillador Phillips n.º 2
- Llave de tuercas de 3/8"
- Destornillador de punta plana (para abrir los orificios punzonados)
- Sierra (para cortar orificios en los gabinetes)
- Cizalla
- Alicates
- Cinta adhesiva metálica
- Tijeras (para cortar la cinta adhesiva metálica)
- Lápiz
- Pelacables
- Abrazadera de cables diámetro de 7/8 pulg. (para sujetar el cable de alimentación a la campana)
- Dos capuchones de conexión adecuados
- Juego de cintas protectoras HADTBN24 (para 24 pulg.) y HADTBN30 (para 30 pulg.) (opcional)

CONTENIDO

Antes de empezar la instalación, verifique el contenido de la caja. Si faltan elementos o hay elementos dañados, póngase en contacto con el fabricante.

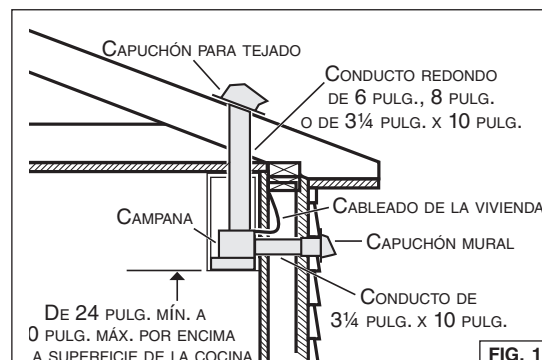
Compruebe que estén en:



INSTALACIÓN DE LOS CONDUCTOS (INSTALACIONES CON CONDUCTOS ÚNICAMENTE)

NOTA: Para reducir el riesgo de incendio, usar sólo conductos de metal.

1. Decida por dónde pasarán los conductos entre la campana y el exterior (FIG. 1).
2. Un conducto recto y corto permitirá un funcionamiento más eficaz de su campana.
3. Un conducto largo con codos y transiciones reducirá el desempeño de la campana. Use lo menos posible. Para una larga distancia, usar un conducto de salida de aire con un diámetro más grande.
4. Instale un capuchón para tejado o mural (se venden por separado). Conecte el conducto metálico al capuchón y vuelva al lugar donde se encuentra la campana. Use cinta adhesiva metálica de 2 pulg. para sellar las juntas entre los tramos de los conductos.



RETIRADA DE LOS ADAPTADORES/ COMPUERTAS

Aparte y ponga a un lado el adaptador/compuerta de 3¼ pulg. x 10 pulg. y el adaptador/compuerta de 6 pulg. redondo (en gris en FIG. 2) de la parte delantera y de un lado de la campana empotrable retirando los dos tornillos de sujeción. Deseche los tornillos.

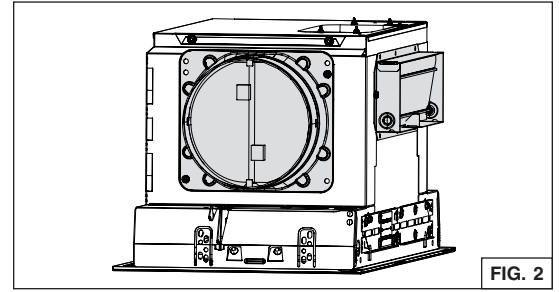


FIG. 2

RETIRADA DE LOS SOPORTES DE GABINETE

Aparte los soportes de gabinete (en gris en FIG. 3) de la parte trasera de la campana empotrable retirando los tres tornillos de sujeción. Agote los tornillos.

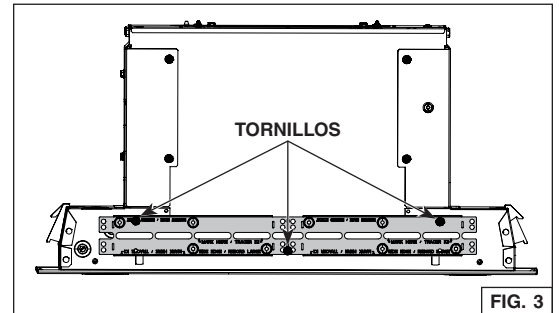


FIG. 3

Doble los soportes hacia arriba y hacia abajo hasta que se separen el uno del otro (FIG. 4). Guarde los soportes por un uso eventual.

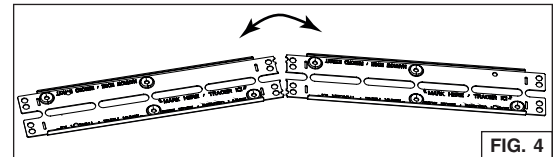


FIG. 4

NOTA: Los dos soportes de gabinete tienen un borde amplio y un borde estrecho (FIG. 5), para cubrir todas las configuraciones de instalación, según las anchuras de gabinete.

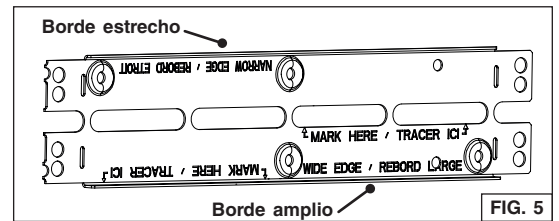


FIG. 5

PREPARACIÓN DEL GABINETE

⚠ ADVERTENCIA

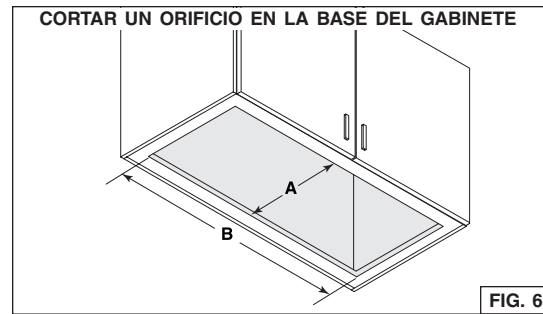
El gabinete debe fijarse a los montantes murales o a otra estructura de madera situada detrás de la pared. Asegúrese de que pueda soportar el peso de la campana empotrable. De no ser así, podrían producirse lesiones personales o daños en la parte superior de la encimera o de la cocina.

- NOTAS: A. La campana debe instalarse en el gabinete.
 B. La campana debe instalarse centrada lateralmente, por encima de la superficie de la cocina.
 C. Para la posición trasera hacia delantera, el aparato debe instalarse conforme a los códigos de construcción locales.

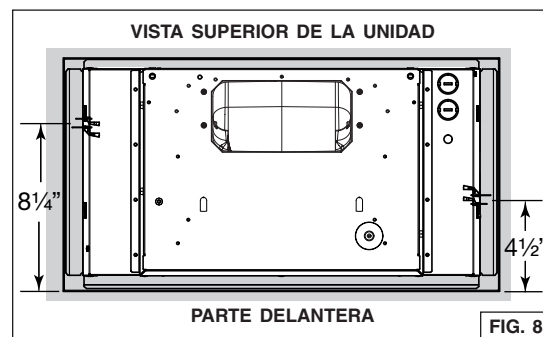
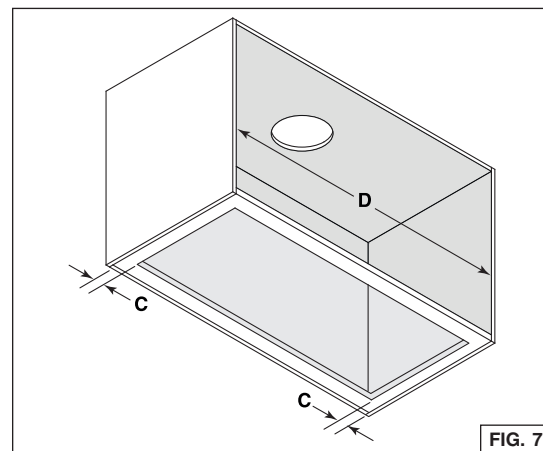
1. Cortar un orificio en la base del gabinete con las dimensiones indicadas (FIG. 6).
2. Ver la FIG. 7. Medir el material restante en los lados de la base del gabinete (**C**), si hay 1/4 pulg. o más en material, no hace falta usar los soportes fijos suministrados. Pase al paso 7 en la página 9.
3. Si hay menos que 1/4 pulg. en material (**C**), retirar cuidadosamente estas cintas. Medir la anchura interior del gabinete (**D**) (FIG. 7). Consultar la tabla siguiente para determinar qué configuración de bordes de soporte debe utilizarse.

APARATO	BORDE ESTRECHO	BORDE AMPLIO
HBN1246SS	D De 22-1/16 pulg. a < 22-1/2 pulg.	D De 22-1/2 pulg. a 23 pulg.
HBN1306SS	D De 28-1/16 pulg. a < 28-1/2 pulg.	D De 28-1/2 pulg. a 29 pulg.

4. Localizar los ganchos Ease of Install en la unidad (distancia determinada a partir del borde delantero, FIG. 8). Insertar temporalmente la unidad en el gabinete y a la vez que mantiene la unidad, marcar la ubicación de los ganchos Ease of Install (correspondiente a **E** en FIG. 9 en la página siguiente) en ambos lados del gabinete. Retirar la unidad.



A = 10¼ pulg. (todos los aparatos)
B = 22 1/16 pulg. (HBN1246SS)
B = 28 1/16 pulg. (HBN1306SS)



PREPARACIÓN DEL GABINETE (CONT.)

5. Instale los soportes de gabinete como sigue (FIG. 9):

- 1 Coloque el soporte a ras con la parte inferior del panel derecho del gabinete, centrando la marca de la ubicación de los ganchos (E) entre los orificios inferiores en relieve. Para la configuración del borde estrecho, trace una línea encima del soporte. Para la configuración del borde amplio, race una línea a la base de las ranuras centrales.
- 2 Instale el soporte a ras con la línea trazada. Sujete el soporte al panel de lado del gabinete usando 2 tornillos para madera n.º 8 x 5/8 pulg. (incluidos en la bolsa de piezas) en los orificios superiores.

NOTA: No usar los orificios en relieve para sujetar el soporte.

- 3 Repetir los pasos 1 y 2 para el panel izquierdo.

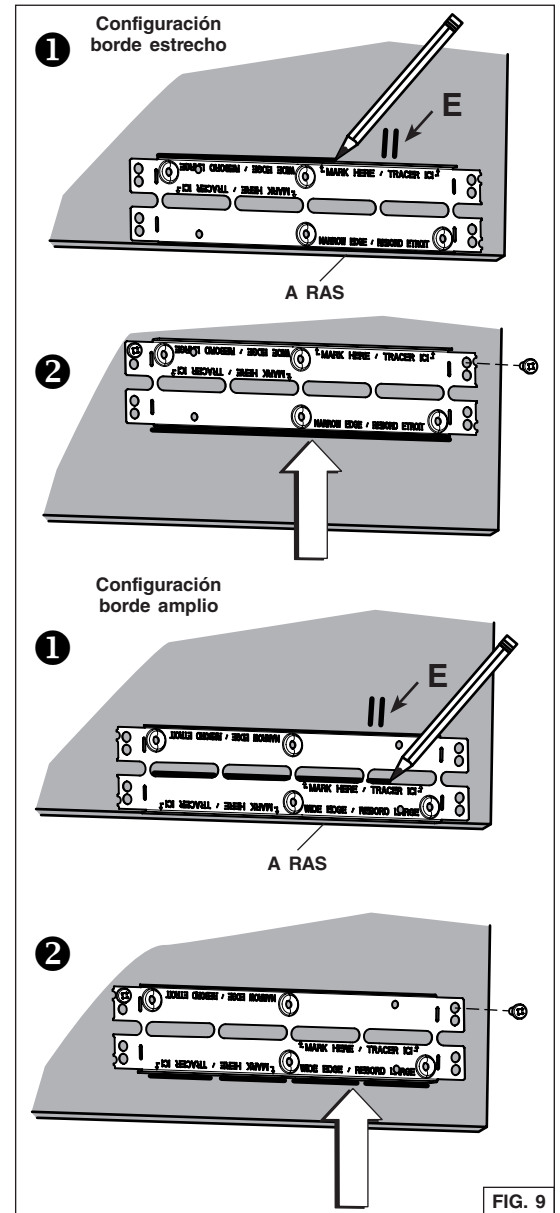


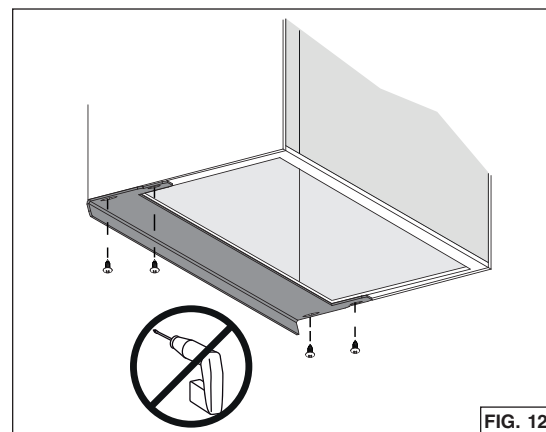
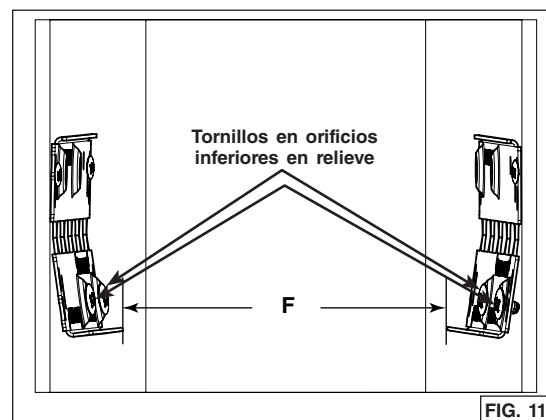
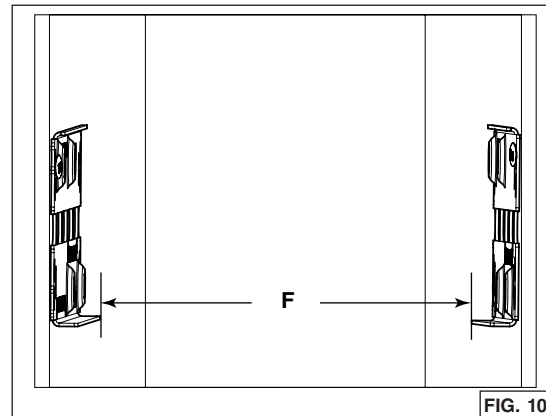
FIG. 9

PREPARACIÓN DEL GABINETE (CONT.)

6. Medir la distancia entre ambos bordes inferiores de los soportes (F) (FIG. 10). La tabla siguiente indica la distancia adecuada:

APPARATO	BORDE ESTRECHO	BORDE AMPLIO
HBN1246SS	F De 21-7/8 pulg. a < 22-1/16 pulg.	F De 22-1/16 pulg. a 22-5/16 pulg.
HBN1306SS	F De 27-7/8 pulg. a < 28-1/16 pulg.	F De 28-1/16 pulg. a 28-5/16 pulg.

Si la distancia medida debe acortarse, atornille dos tornillos n.º 8-32 x 1/4 pulg. en cada orificio en relieve inferiores de los soportes del gabinete; esto doblará ligeramente la parte inferior de los soportes (FIG. 11). Atornille ambos soportes para obtener la distancia adecuada.



7. Opcional

Cintas protectoras opcionales (se venden por separado), en 7 formatos diferentes, están diseñadas para gabinetes de hasta 15 pulg. de profundidad (para HBN1246SS: HADTBN24, para HBN1306SS: HADTBN30). Elegir la cinta que puede cubrir mejor el borde trasero del gabinete. Usar 4 tornillos para madera de cabeza redondeada n.º 6 x 1/2 pulg. (incluidos en el juego opcional) para sujetarla (FIG. 12).

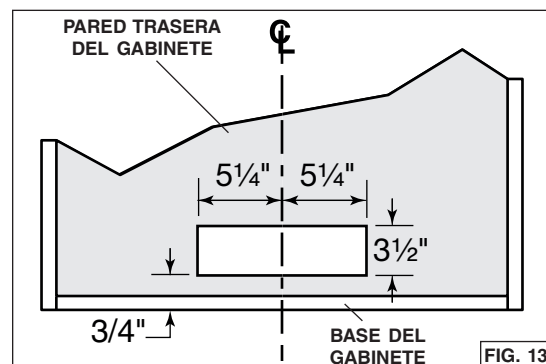
ATENCIÓN

Nunca utilice un atornillador eléctrico o un taladro para atornillar la cinta protectora al borde trasero del gabinete, usar un destornillador estándar.

INSTALACIÓN CON SALIDA HORIZONTAL SOLAMENTE

Esta campana empotrable se entrega de fábrica con una evacuación vertical; sin embargo, es posible cambiar por una evacuación horizontal (conducto de 3¼ pulg. x 10 pulg. solamente).

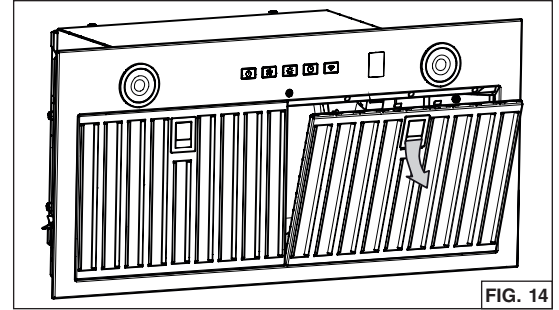
8. Corte el orificio para la salida horizontal a través de la pared trasera del gabinete usando las dimensiones indicadas (FIG. 13).



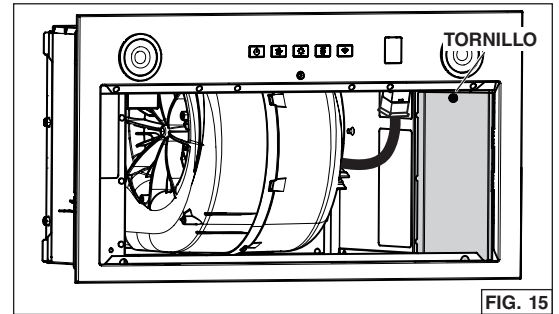
PREPARACIÓN DEL APARATO

TODAS LAS INSTALACIONES

1. De haberla, retire de la campana y de todas las piezas la película protectora.
2. Use la pestaña para retirar de la campana los filtros deflector híbridos empujando hacia abajo e inclinando los filtros hacia fuera (FIG. 14). Poner los filtros a un lado.

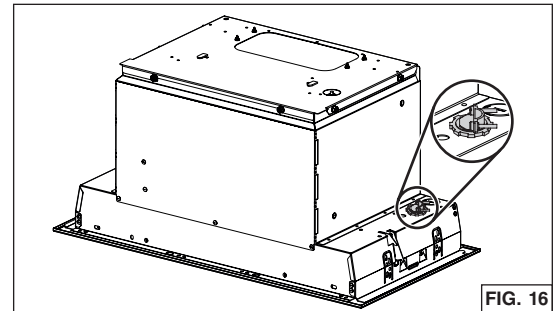


3. Quite la tapa del compartimento eléctrico (en gris en FIG. 15) en el interior del aparato retirando su tornillo de sujeción. Retire la bolsa de piezas detrás de la tapa. Poner la bolsa de piezas, la tapa y el tornillo de sujeción a un lado.



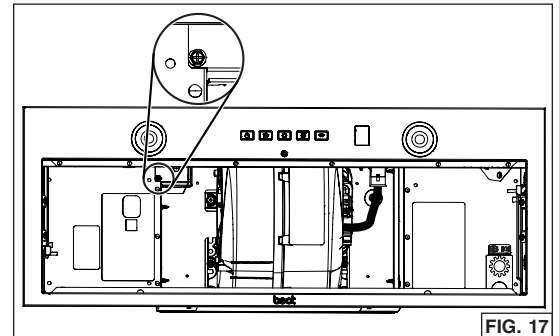
4. Perfore **uno** de los dos orificios punzonados. Instale una abrazadera de cables de un diámetro de 7/8 pulg. (no incluida, en gris en FIG. 16).

NOTA: Se puede usar el juego de cable para campana HCK44 (opcional) al lugar del cable de alimentación de la vivienda. Ver las instrucciones incluidas con el juego de cable para campana HCK44.

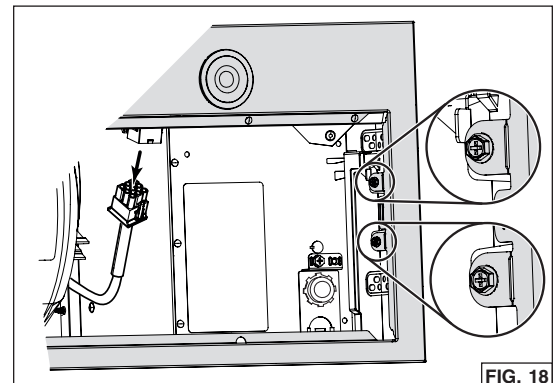


INSTALACIÓN CON SALIDA HORIZONTAL SOLAMENTE

5. Quitar y desechar el tornillo rodeado en la FIG. 17. NOTA: Este tornillo podría estar presente o no.



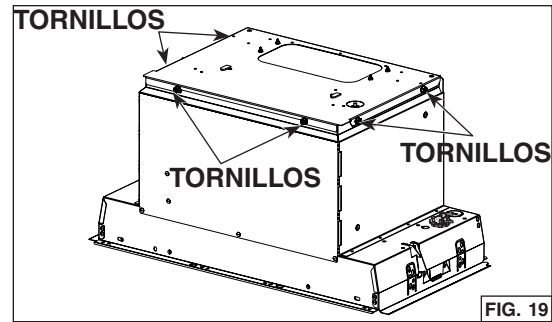
6. Desenchufe el cable del ventilador de su conector en el panel frontal. Quite el panel frontal del aparato retirando los 4 tornillos de sujeción (dos por lado, rodeados en la FIG. 18) de la carcasa del aparato. Poner el panel frontal y los tornillos a un lado.



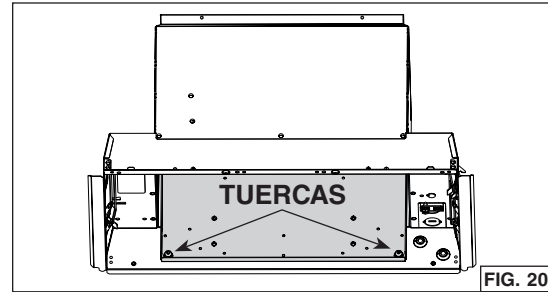
PREPARACIÓN DEL APARATO (CONT.)

INSTALACIÓN CON SALIDA HORIZONTAL SOLAMENTE (CONT.)

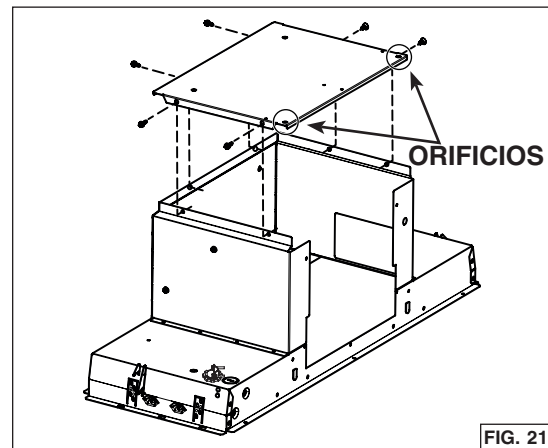
7. Quite los 6 tornillos (2 en la parte delantera y 2 por lado) manteniendo esta placa a la parte superior del aparato (FIG. 19). Levante cuidadosamente el ventilador y la placa de soporte y póngalos a un lado. El ventilador y su placa luego se reinstalará en el aparato.



8. Desde el interior del aparato, retire la placa trasera (en gris en FIG. 20) retirando las 2 tuercas usando un casquillo de 3/8 pulg. de diámetro. Poner las tuercas y la placa a un lado.



9. Instale la placa trasera en la parte superior del aparato, donde estaba la placa de soporte del ventilador. Los orificios cerca de las esquinas deben encontrarse en la parte trasera del aparato. Sujétarla a la parte superior del aparato usando los 6 tornillos retirados previamente al paso 7 (FIG. 21).



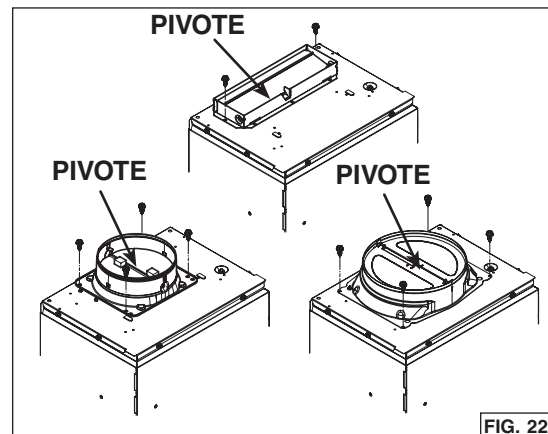
INSTALACIÓN CON SALIDA VERTICAL SOLAMENTE

10. Para un conducto rectangular, use 2 tornillos para metales n.º 8-18 x 1/4 pulg. (incluidos) para fijar el adaptador/compuerta de 3¼ pulg. x 10 pulg. (incluido) en la parte superior del aparato, sobre el orificio de salida del ventilador (FIG. 22).

NOTA: El pivote de la compuerta debe encontrarse hacia la parte delantera del aparato.

Para un conducto redondo, use 4 tornillos para metales n.º 8-18 x 1/4 pulg. (incluidos) para fijar el adaptador/compuerta de 6 pulg. o de 8 pulg. redondo (incluidos) en la parte superior del aparato, sobre el orificio de salida del ventilador (FIG. 22).

NOTA: El pivote de la compuerta debe ser paralela a los lados de la campana.



INSTALACIÓN DEL APARATO

1. Encaminar el cable de alimentación del panel de distribución hasta la ubicación del aparato. Prever una longitud de 2 pies en el gabinete. Pasar el cable de alimentación en la campana a través de la abrazadera de cables de un diámetro de 7/8 pulg. previamente instalada.
NOTA: No necesario si el juego de cable para campana HCK44 se utiliza.
2. Insertar el aparato en el gabinete hasta que sentir un click a ambos lados del aparato, confirmando que los ganchos Ease of Install están apoyando en la parte superior de los lados de la base del gabinete **1**, o sobre los bordes de los soportes de gabinete **2** o **3** (FIG. 23). Mover el aparato de izquierda a derecha, de delante hacia atrás y levantarlo para comprobar que los ganchos Ease of Install retienen el aparato en el gabinete.

NOTA: El aparato excederá un poco el gabinete hasta que se enrosque en el gabinete.

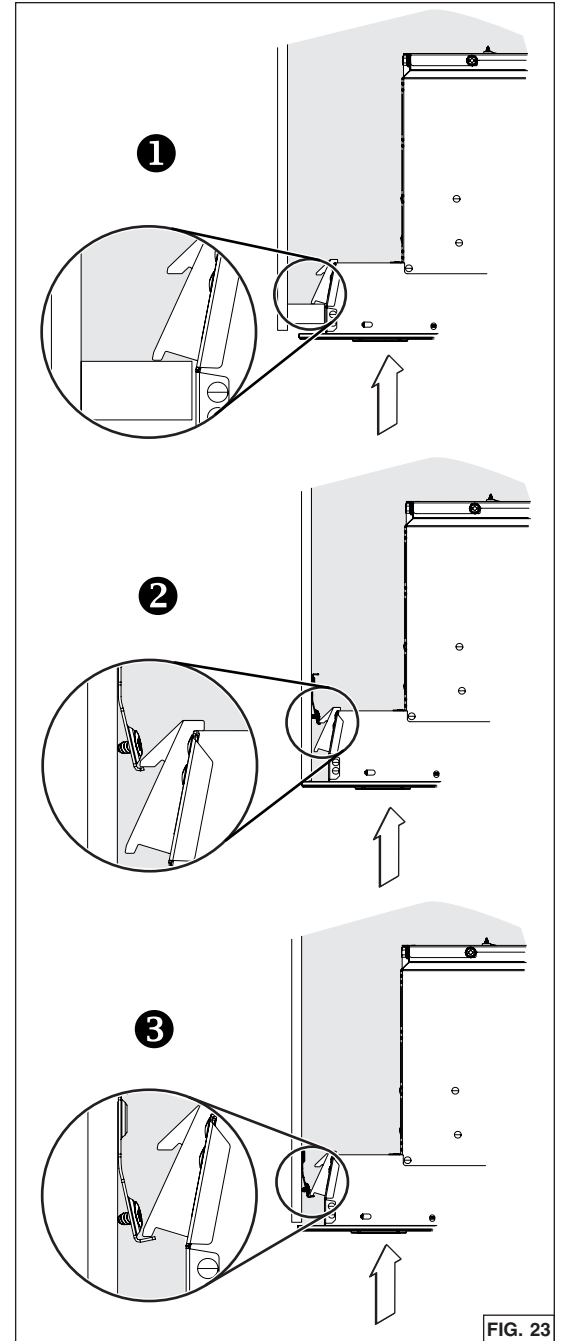


FIG. 23

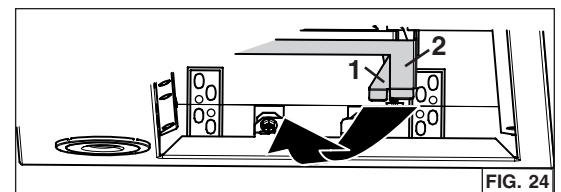


FIG. 24

NOTA: En el caso de que, por cualquier motivo, se debe retirar el aparato del gabinete, es posible desbloquear los ganchos Ease of Install. Para hacerlo: mantener la campana y empujar en uno de los lados, levantar simultáneamente ambos palancas de los ganchos Ease of Install (**1** y **2**, en gris en la FIG. 24) del otro lado de la campana hasta que los ganchos estén desbloqueados.

INSTALACIÓN DEL APARATO (CONT.)

- Levantar la campana hasta que su borde quede en la base del gabinete. Sujetar la campana al gabinete usando 4 tornillos para madera n° 8 x 5/8 pulg. incluidos en la bolsa de piezas (2 tornillos a cada lado). Usar los orificios superiores o inferiores (1, 2, 3, 4, 5 o 6) (FIG. 25).

⚠ ADVERTENCIA

Los ganchos Ease of Install retienen la campana TEMPORALMENTE. SE DEBE fijar la campana al gabinete con los 4 tornillos.

⚠ ADVERTENCIA

Nunca utilizar este aparato como estante, repisa o anaquel.

INSTALACIÓN CON SALIDA HORIZONTAL SOLAMENTE

- Desde el interior de la campana, deslice el adaptador/compuerta de 3¼ pulg. x 10 pulg. en el conducto horizontal, después fijarlo a la campana usando cinta adhesiva metálica para sellar la junta (FIG. 26). Asegúrese de que la compuerta abra como se muestra en la vista lateral de la compuerta.

- Inserte el ventilador y su placa al interior de la campana, donde estaba la placa trasera (A). Fije la placa a la campana usando las 2 tuercas retiradas previamente al paso 8 en la página 11 (B) (FIG. 27).

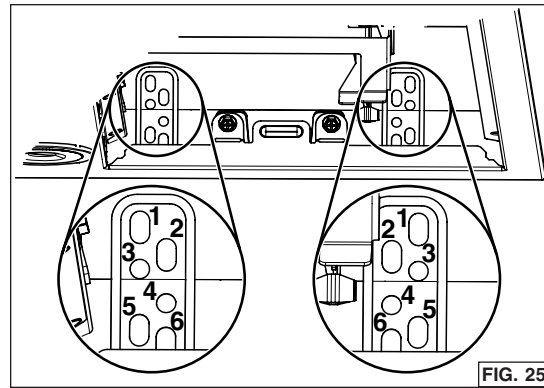


FIG. 25

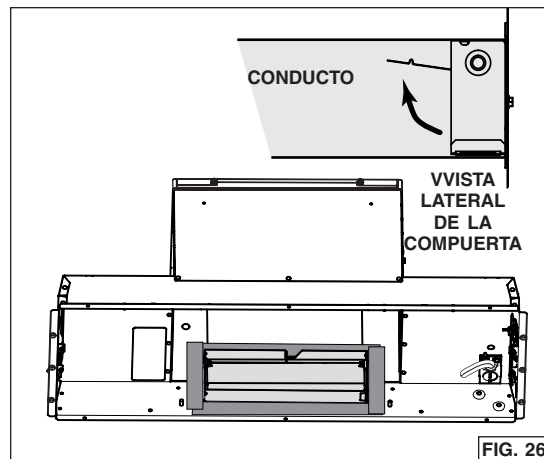


FIG. 26

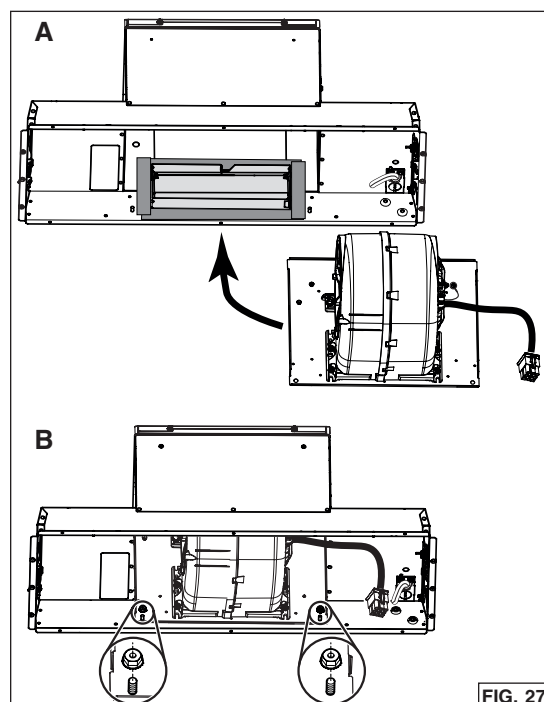
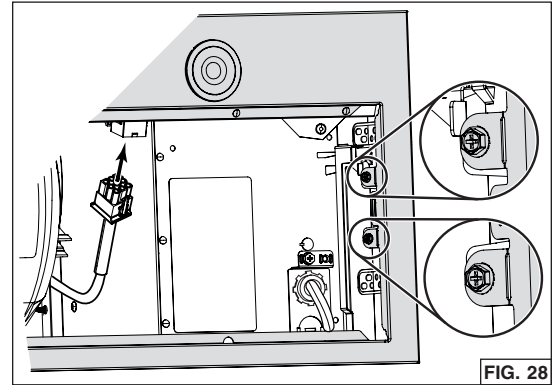


FIG. 27

INSTALACIÓN DEL APARATO (CONT.)

INSTALACIÓN CON SALIDA HORIZONTAL SOLAMENTE (CONT.)

6. Vuelva a instalar y fije el panel frontal a la campana usando los 4 tornillos de sujeción (dos por lado, rodeados en la FIG. 28). Enchufe el cable del ventilador a su conector en el panel frontal.



CONEXIÓN DEL CONDUCTO

INSTALACIÓN CON SALIDA VERTICAL SOLAMENTE

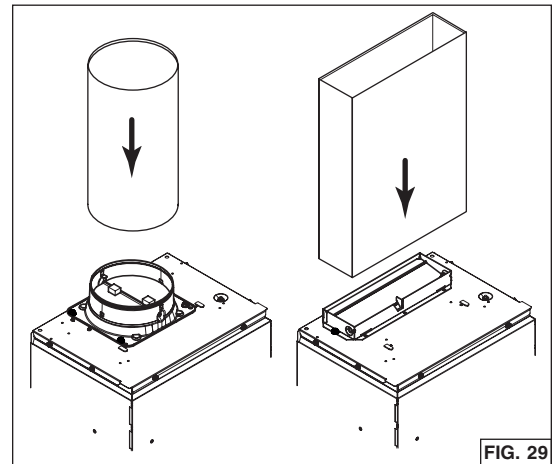
Instalación con conducto

Use un conducto de metal redondo de 6 pulg., de 8 pulg., o de 3¼ pulg. x 10 pulg. para conectar el adaptador/compuerta en la parte superior de la campana al red de conductos (FIG. 29, 8 pulg. redondo no ilustrado). Utilice cinta adhesiva metálica para sellar la junta.

Instalación en recirculación

Se necesita un kit de recirculación para este tipo de instalación (se vende por separado). Para instalarlo, seguir las instrucciones incluidas con el kit. Consulte la tabla siguiente para encontrar el modelo correspondiente al aparato.

Modelo del aparato	Modelo del kit de recirculación
HBN1246SS	HARKBN24
HBN1306SS	HARKBN30



CONEXIÓN ELÉCTRICA

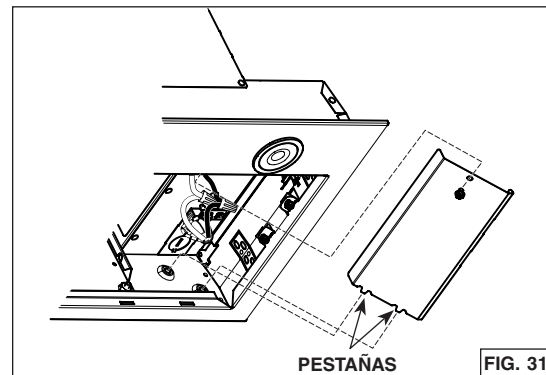
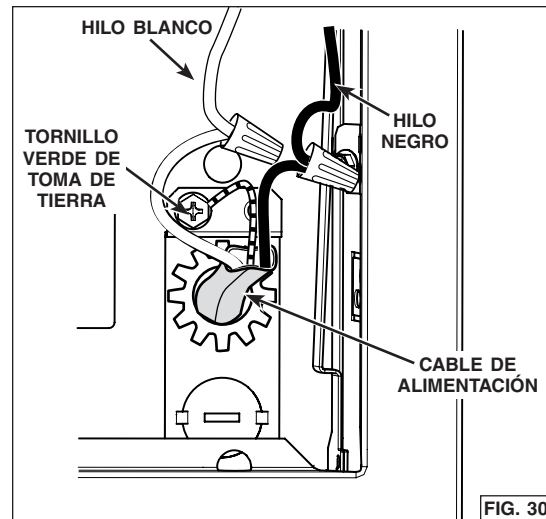
⚠ ADVERTENCIA

Peligro de choque eléctrico. La instalación eléctrica debe ser hecha por personal calificado de acuerdo con todos los códigos aplicables y normas. Antes de efectuar el empalme, cortar la alimentación eléctrica del interruptor y cerrar con seguridad para prevenir una alimentación accidental.

1. Usando capuchones de conexión adecuados (no incluidos), conectar los hilos del cable de alimentación a los hilos de la campana como sigue: el hilo NEGRO al hilo NEGRO, el hilo BLANCO al hilo BLANCO y el hilo VERDE o pelado al tornillo VERDE de toma de tierra (FIG. 30).
2. Vuelva a colocar la tapa del compartimiento eléctrico; asegúrese de que las pestañas de la parte inferior estén insertadas en su ubicación sobreelevada. Sujétarla a la campana usando su tornillo de sujeción (FIG. 31).

ATENCIÓN

Asegúrese de no atascar ningún hilo al volver a colocar la tapa del compartimiento eléctrico.



INSTALACIÓN DE LOS FILTROS

Instalación con conductos

Vuelva a colocar los filtros deflector híbridos.

Instalación en recirculación

Ate los filtros de recirculación (incluidos con el kit HARKBN24 o HARKBN30) al reverso de los filtros deflector híbridos usando los clips de sujeción (incluidos con los filtros de recirculación). Ordene el número de pieza n° S99010464-124 para el modelo HBN1246SS y la pieza n° S99010464-130 para el modelo HBN1306SS.

Declaraciones de conformidad FCC/IC

Contiene FCC ID: 2AC7Z-ESP32WROVERE

Contiene IC: 21098- ESPWROVERE

DECLARACIÓN DE CONFORMIDAD CON LA FCC

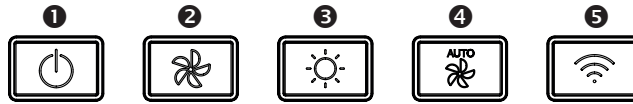
Este dispositivo cumple con el apartado 15 de las normas de la FCC. La operación está sujeta a las siguientes condiciones: (1) este dispositivo no puede producir interferencias perjudiciales y (2) este dispositivo debe aceptar cualquier interferencia recibida, incluidas las que puedan dar lugar a una operación no deseada.

DECLARACIÓN DE INDUSTRY CANADA

Este dispositivo cumple las normas RSS sobre exención de licencia de Industry Canada. El funcionamiento está sujeto a las dos condiciones siguientes:

(1) este dispositivo no puede causar interferencia, y (2) este dispositivo debe aceptar cualquier interferencia recibida, incluida la que pueda provocar un funcionamiento no deseado del dispositivo.

CONTROL TÁCTIL



- NOTAS: 1. Cada vez que se pulsa una tecla, se emite un sonido de bip para confirmar la selección. Para desactivar, cuando el ventilador y las luces están apagados, pulsar la tecla Luces (3) durante 5 segundos. Para reactivar, cuando el ventilador y las luces están apagados, pulsar una otra vez la tecla Luces (3) durante 5 segundos.
2. Cada vez que se pulsa una tecla, se enciende su retroiluminación. Cuando se desactiva una función, se apaga la retroiluminación de la tecla correspondiente.

1 ENCENDIDO/APAGADO principal:

Pulse esta tecla para encender la luz y el ventilador en la última intensidad guardada. Las luces de fondo del botón de ENCENDIDO/APAGADO principal, del botón del ventilador y del botón de la luz se encienden. Cuando la luz y el ventilador están encendidos, al pulsar esta tecla se memoriza la velocidad actual del ventilador y el nivel de iluminación antes de apagarlos.

Siempre que hay una función activa (la luz o el ventilador se encienden directamente pulsando la tecla del ventilador o de la luz), la luz de fondo de ENCENDIDO/APAGADO principal se enciende. Cuando la última función activa se apaga (la luz o el ventilador se apagan directamente pulsando la tecla del ventilador o de la luz), la luz de fondo de ENCENDIDO/APAGADO principal también se apaga.

2 Ventilador:

Cuando el ventilador está apagado, pulsar esta tecla para activar el ventilador a la última velocidad guardada. Si no se ha guardado ninguna velocidad, el ventilador funcionará en BAJA velocidad.

Para cambiar la velocidad, pulsar la tecla hasta que llegue a la velocidad deseada (de BAJA, a MEDIA-BAJA, a MEDIA-ALTA, a ALTA velocidad, a APAGADO).

Cuando el ventilador funciona (no importa la velocidad), una pulsación larga de la tecla apaga el ventilador y la última velocidad será guardada.

Aviso de mantenimiento de los filtros

Cuando el usuario apaga el ventilador y que la retroiluminación de la tecla ventilador parpadea lentamente durante 30 segundos, eso significa que es el momento de limpiar la campana y los filtros (consulte la sección Mantenimiento y limpieza en la página 20). El parpadeo siempre se producirá cuando el usuario apagará el ventilador (hasta que sea restablecido el temporizador). Una vez efectuada la limpieza, restablecer el temporizador como sigue: cuando el ventilador está apagado y durante el parpadeo (30 segundos), mantener pulsada la tecla ventilador hasta que se apague el parpadeo de la retroiluminación.

3 Luces:

Pulsar esta tecla para encender las luces a la última intensidad guardada. Si no se ha guardado ninguna intensidad, las luces se encenderán a BAJA intensidad. Para cambiar la intensidad de las luces, pulse el botón nuevamente hasta alcanzar el nivel deseado (la secuencia de intensidad es: BAJA-MEDIA-ALTA-APAGADO).

Cuando las luces están encendidas, mantener pulsada la tecla apaga las luces y la última intensidad será guardada. La próxima vez que se enciendan las luces (ya sea con la tecla de luz o con la tecla de ENCENDIDO/APAGADO principal), lo harán en la última intensidad guardada

4 Auto (SMART SENSE):

Cuando el ventilador está APAGADO, pulse esta tecla para activar el modo Auto. Cuando se detecta una sesión de cocción, esta función iniciará o ajustará automáticamente la velocidad del ventilador según el calor detectado en la placa de cocción. El ventilador se apagará automáticamente cuando ya no se detecte suficiente calor en la placa de cocción.

Cuando la campana está apagada y no se utiliza durante 3 minutos, la luz de fondo de la tecla Auto se apaga automáticamente. Al pulsar cualquier tecla se vuelve a encender la luz de fondo.

Para desactivar el modo Auto, mantener pulsada la tecla Auto hasta que la luz de fondo se apague.

Ajuste manual de la velocidad del ventilador en modo Auto:

Cuando el modo Auto está funcionando, es posible cambiar manualmente la velocidad del ventilador utilizando la tecla del ventilador. La luz de fondo de la tecla Auto se apagará para indicar que el modo Auto está en pausa (hasta que el ventilador se haya APAGADO manualmente). Cuando el calor sea lo suficientemente bajo en la placa de cocción, la función de modo Auto se volverá a activar automáticamente y su luz de fondo se encenderá.

Características del modo Auto:

- El sensor del modo Auto mide la temperatura relacionada con la actividad de cocción en la cocina o en la placa de cocción.
- Al retirar una sartén u olla de una superficie de cocción caliente, la velocidad del ventilador puede aumentar. Esto no es inusual, ya que el sensor detecta un aumento de la temperatura.
- El ventilador puede apagarse cuando se cocina a un nivel de temperatura muy bajo, especialmente con las unidades de inducción.
- El ventilador puede apagarse temporalmente al añadir ingredientes fríos o congelados en la sartén u olla. Cuando los ingredientes se calienten lo suficiente, el ventilador volverá a encenderse automáticamente.
- Al abrir la puerta de un horno caliente o al poner en marcha un horno con autolimpieza, el ventilador puede ponerse en marcha automáticamente.
- Al comenzar a cocinar, puede haber un breve retraso en el funcionamiento del ventilador mientras se calienta la olla o la sartén.
- Una vez finalizada la cocción, es normal que el ventilador permanezca encendido durante un breve periodo de tiempo hasta que la superficie de cocción, la olla o la sartén se enfríen.

5 Wi-Fi/Bluetooth®:

Vaya a la página 18.

WI-FI/BLUETOOTH®

Esta tecla se utiliza para vincular la campana (a través de Bluetooth®) con un dispositivo inteligente y para conectarla a la red Wi-Fi doméstica, o para desactivar el Wi-Fi/Bluetooth.

ACTIVACIÓN DEL MODO DE VINCULACIÓN

Antes de iniciar este procedimiento, asegúrese de que el ventilador y las luces están APAGADOS.

Pulse la tecla 3 segundos para iniciar el proceso de vinculación; si la función Wi-Fi/Bluetooth estaba APAGADA, se volverá a ENCENDER. La luz de fondo de la tecla parpadeará (15 segundos) para indicar que el dispositivo está listo para proceder a la vinculación.

FUNCIONALIDAD WI-FI/BLUETOOTH

Para DESACTIVAR la función Wi-Fi/Bluetooth, pulse la tecla durante 3 segundos. Una vez que la luz de fondo de la tecla parpadea, pulse la tecla de ENCENDIDO/APAGADO principal (1) durante 3 segundos. La función Wi-Fi/Bluetooth y la luz de fondo de las teclas se APAGARÁN. Para volver a activar la función Wi-Fi/Bluetooth, pulse la tecla durante 3 segundos.

Cuando la campana está APAGADA y no se utiliza durante 3 minutos, la luz de fondo de la tecla Wi-Fi/Bluetooth se APAGARÁ automáticamente. Al pulsar cualquier tecla se vuelve a ENCENDER la luz de fondo.

REINICIO DE WI-FI/BLUETOOTH

Para restablecer la conectividad Wi-Fi/Bluetooth (eliminar los dispositivos guardados y desconectarse de la red Wi-Fi), pulse la tecla durante 3 segundos. Una vez que la luz de fondo de la tecla parpadea, pulse de nuevo la tecla durante 10 segundos.

ELEMENTOS ESENCIALES PARA CONECTAR LA UNIDAD WI-FI/BLUETOOTH

Antes de conectar la campana a una red Wi-Fi, necesitará:

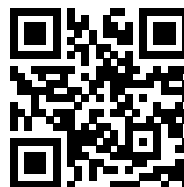
- Un dispositivo inteligente con la última versión del sistema operativo iOS o Android
- El dispositivo inteligente debe tener acceso a internet y Wi-Fi y Bluetooth deben estar activados.
- El dispositivo inteligente debe estar a menos de 5 metros (16 pies) de la campana
- La campana debe estar dentro del alcance de la señal Wi-Fi de su red doméstica
- El nombre de su red doméstica Wi-Fi (SSID) y su contraseña
- No debe haber ningún otro dispositivo inteligente con Bluetooth cerca.

CONEXIÓN DE LA UNIDAD WI-FI/BLUETOOTH

1. Descargue la aplicación Best Kitchen.



2. Siga las instrucciones de la aplicación.
3. Escanee el código QR que aparece a continuación si necesita más detalles para instalar y utilizar la aplicación.



Apple y el logotipo de Apple son marcas comerciales de Apple Inc. registradas en Estados Unidos y otros países.

App Store es una marca de servicio de Apple Inc. registrada en Estados Unidos y otros países.

Google Play y el logotipo de Google Play son marcas comerciales de Google LLC.

La marca y los logotipos de Bluetooth® son marcas registradas propiedad de Bluetooth SIG, Inc. y cualquier uso de dichas marcas por parte de Best se hace mediante licencia.

Las demás marcas y nombres comerciales pertenecen a sus respectivos propietarios.

WI-FI/BLUETOOTH® **USO DEL APARATO CONECTADO**

Ahora que su unidad está correctamente conectada, puede probar todas las funcionalidades a través de la aplicación. Incluso si no está físicamente cerca de la unidad, puede controlarla a través de la aplicación utilizando su red Wi-Fi.

CONTROL VOCAL

Puede controlar la campana a través de su asistente vocal (Alexa o Google Home).

UTILIZACIÓN DE LA APLICACIÓN ALEXA O DEL ALTAVOZ O PANTALLA ALEXA

Puede cambiar el nombre de la campana mediante la aplicación Alexa. Tenga en cuenta que esto sólo cambia el nombre del dispositivo en el entorno Alexa. Estas son algunas de las órdenes vocales habituales de Alexa para controlar la campana:

Range hood:

Alexa, turn ON the range hood

Alexa, turn the range hood ON

Alexa, turn OFF the range hood

Alexa, turn the range hood OFF

Fan

Alexa, turn ON the range hood fan

Alexa, turn OFF the range hood fan

Alexa, set the range hood fan speed to one

Alexa, set the range hood fan speed to two

Alexa, set the range hood fan speed to three

Alexa, set the range hood fan speed to four

Lights

Alexa, turn ON the range hood lights

Alexa, turn OFF the range hood lights

Alexa, set the range hood lights to one

Alexa, set the range hood light to two

Alexa, set the range hood lights to three

UTILIZACIÓN DEL ASISTENTE PERSONAL, ALTAVOZ O PANTALLA DE GOOGLE

Diga "Hey Google" y Google comenzará a escuchar sus órdenes.

Estas son algunas de las órdenes vocales habituales de Google para controlar la campana:

Range hood

Hey Google, turn ON the range hood

Hey Google, turn the range hood ON

Hey Google, turn OFF the range hood

Hey Google, turn the range hood OFF

Fan:

Hey Google, turn ON the range hood fan

Hey Google, turn OFF the range hood fan

Hey Google, set the range hood fan speed to one

Hey Google, set the range hood fan speed to two

Hey Google, set the range hood fan speed to three

Hey Google, set the range hood fan speed to four

Lights

Hey Google, turn ON the range hood lights

Hey Google, turn OFF the range hood lights

Hey Google, set the range hood lights to one

Hey Google, set the range hood lights to two

Hey Google, set the range hood lights to three

ACTUALIZACIÓN DEL MICROPROGRAMA

Las actualizaciones periódicas del microprograma mejoran la experiencia de uso de la campana. Podrá explorar las nuevas funciones a medida que se desarrollen. Se debe crear una cuenta de usuario de Best para poder aprovechar las actualizaciones del microprograma.

Cuando haya actualizaciones disponibles, se le notificará a través de la aplicación. Aconsejamos instalar las actualizaciones cuando estén disponibles; sólo lleva unos minutos.

Cuando el microprograma esté disponible, necesitará que:

- la campana esté conectada a su red doméstica Wi-Fi
- la aplicación Best Kitchen esté instalada y configurada debidamente en su dispositivo inteligente.

HEAT SENTRY™

Esta campana está equipada con un termostato Heat Sentry™. Este dispositivo pone en marcha el ventilador cuando detecta un calor excesivo por encima de la superficie sobre la que se cocina.

- 1) Si el ventilador está apagado, se pondrá en marcha en velocidad ALTA.
- 2) Si el ventilador ya está funcionando en velocidad baja o media, la velocidad cambiará en velocidad ALTA.

Cuando la temperatura baje a un nivel normal, el ventilador volverá a su configuración original.

NOTA: Cuando se activa el Heat Sentry, la retroiluminación de la tecla del ventilador parpadea lentamente y no se puede cambiar la velocidad del ventilador.

⚠ ADVERTENCIA

El termostato HEAT SENTRY puede poner en marcha el ventilador si la campana está apagada. En tal caso, es imposible apagar el ventilador con el interruptor. Si es necesario apagar el ventilador, coloque el interruptor principal que se encuentra detrás de los filtros, del lado interno del panel frontal de la campana, en posición APAGADO (si es posible hacerlo de manera segura). Ver el medallón en FIG. 32.

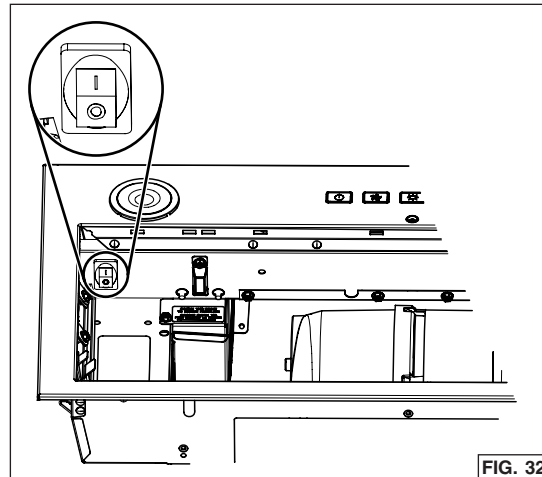


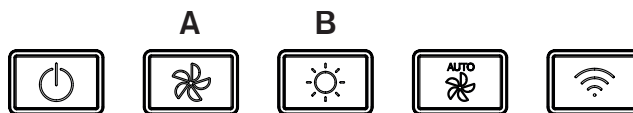
FIG. 32

ACTIVACIÓN DE LA OPCIÓN CODE READY™ TECHNOLOGY

La opción Code Ready Technology (CRT) permite modificar el caudal de aire ajustado de fábrica de 600 pi³/min a un máximo de 400 pi³/min o 300 pi³/min. La activación de la opción CRT reduce el caudal de aire máximo del ventilador, lo que permite la operación dentro del límite permitido por los códigos de aire de complemento para cumplir ciertos requisitos del código de construcción. No intente modificar el ajuste original de pi³/min del ventilador a menos que esta modificación sea requerida. Este cambio modificará el rendimiento de su producto.

- NOTAS IMPORTANTES:**
1. Una vez modificado, **NE SE PODRÁ RESTABLECER EL AJUSTE ORIGINAL DEL VENTILADOR.**
 2. Se puede ajustar el CRT solamente durante los cinco primeros minutos siguientes a la alimentación eléctrica de la campana.
 3. Un corte de corriente a la campana no desactivará la opción CRT.
 4. El ventilador y las luces deben estar apagados.

PROCEDIMIENTO CRT



1. Ajustar el interruptor principal (detrás del filtro) a la posición ENCENDIDO, y pulsar simultáneamente las teclas del ventilador (**A**) y de las luces (**B**) durante 5 segundos; la retroiluminación de las teclas del ventilador (**A**) y de las luces (**B**) parpadearán para indicar que el procedimiento CRT es iniciado.

CAUDAL MÁXIMO DE 400 pi³/MIN

2. Para ajustar el caudal máximo a 400 pi³/min, pulsar la tecla del ventilador (**A**) durante 5 segundos, luego soltar; la retroiluminación de la tecla del ventilador parpadeará para indicar que el caudal de 400 pi³/min ha sido elegido (la retroiluminación de la tecla de las luces (**B**) estará apagada).
3. Pulsar por segunda vez la tecla del ventilador (**A**) durante 5 segundos, luego soltar para confirmar la selección; la retroiluminación de la tecla del ventilador parpadeará rápidamente dos veces y un doble sonido de bip se emitirá. El control regresará a operación normal.
4. Buscar la etiqueta CRT cerca de la etiqueta de certificación HVI, dentro de la campana, detrás del filtro, y marcar la casilla correspondiente (400 pi³/min).

CAUDAL MÁXIMO DE 300 pi³/MIN

2. Para ajustar el caudal máximo a 300 pi³/min, pulsar la tecla de las luces (**B**) durante 5 segundos, luego soltar; la retroiluminación de la tecla de las luces parpadeará para indicar que el caudal de 300 pi³/min ha sido elegido (la retroiluminación de la tecla del ventilador (**A**) estará apagada).
3. Pulsar por segunda vez la tecla de las luces (**B**) durante 5 segundos, luego soltar para confirmar la selección; la retroiluminación de la tecla de las luces parpadeará rápidamente dos veces y un doble sonido de bip se emitirá. El control regresará a operación normal.
4. Buscar la etiqueta CRT cerca de la etiqueta de certificación HVI, dentro de la campana, detrás del filtro, y marcar la casilla correspondiente (300 pi³/min).

MANTENIMIENTO

SIEMPRE DESCONECTE LA FUENTE DE ALIMENTACIÓN ANTES DE REALIZAR CUALQUIER INTERVENCIÓN SOBRE ESTE APARATO

Filtros deflector híbridos

Los filtros deflector híbridos deben limpiarse con frecuencia. Utilice una solución de detergente con agua templada. Los filtros pueden lavarse en el lavavajillas.

Limpe los filtros en el lavavajillas con un detergente sin fosfato. El filtro podría descolorarse si se utiliza un detergente con fosfato o debido al tipo de agua, pero esto no afecta su funcionamiento. Este descoloramiento no está cubierto por la garantía. A fin de reducir al mínimo o prevenir la descoloración, lave los filtros a mano con un detergente suave.

Filtros de recirculación

Los filtros de recirculación deberían cambiarse cada 3 a 6 meses. Sustituirlos con mayor frecuencia si su tipo de cocina genera más grasa, por ejemplo si fríe o cocina con wok.

LIMPIEZA DEL ACERO INOXIDABLE

A hacer:

- Lávelo regularmente con un trapo limpio empapado con una disolución de agua tibia y jabón suave o detergente para lavar vajillas.
- Limpie siempre en la dirección de las líneas de pulido.
- Enjuague siempre bien con agua limpia (2 o 3 veces) después de limpiar. Séquelo completamente.
- También puede usar un producto limpiador doméstico para acero inoxidable.

A no hacer:

- Usar lana de acero o de acero inoxidable o un rascador para quitar la suciedad más incrustada.
- Usar productos limpiadores agresivos o abrasivos.
- Dejar que se acumule la suciedad.
- Permitir que el polvo de yeso u otros residuos de construcción entren en contacto con la campana. Durante los trabajos de construcción o renovación, cubra la campana para evitar que el polvo se adhiera a las superficies de acero inoxidable.

Al elegir un detergente, evite:

- Los productos limpiadores que contengan blanqueador (lejía) ya que dañarán el acero inoxidable.
- Los productos que contengan: **cloruro, fluoruro, yoduro, bromuro**, ya que deteriorarán las superficies rápidamente.
- Los productos combustibles que se usan para limpiar, tales como **acetona, alcohol, éter, benzol**, etc., ya que son muy explosivos y no deberían usarse nunca cerca de una cocina.

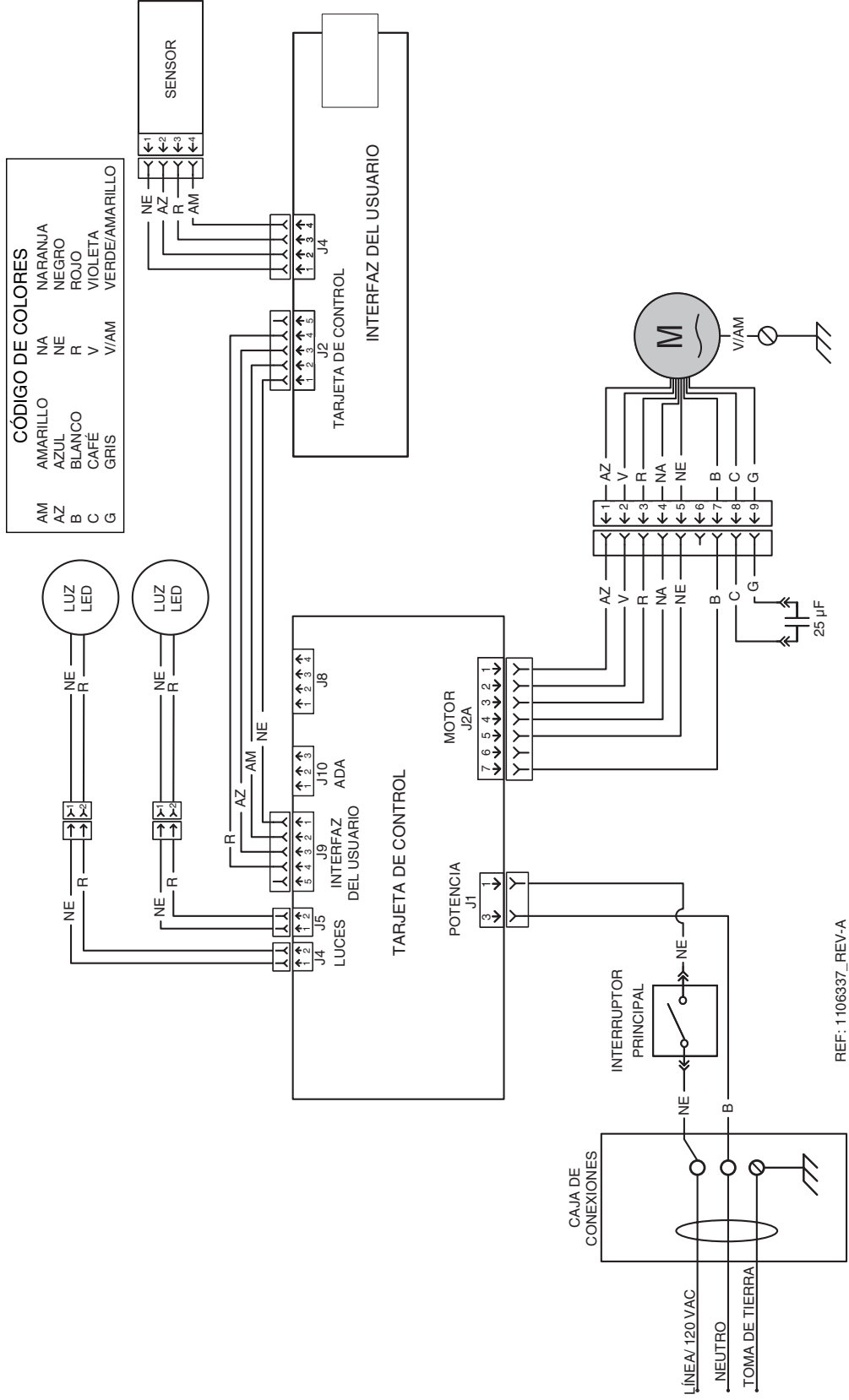
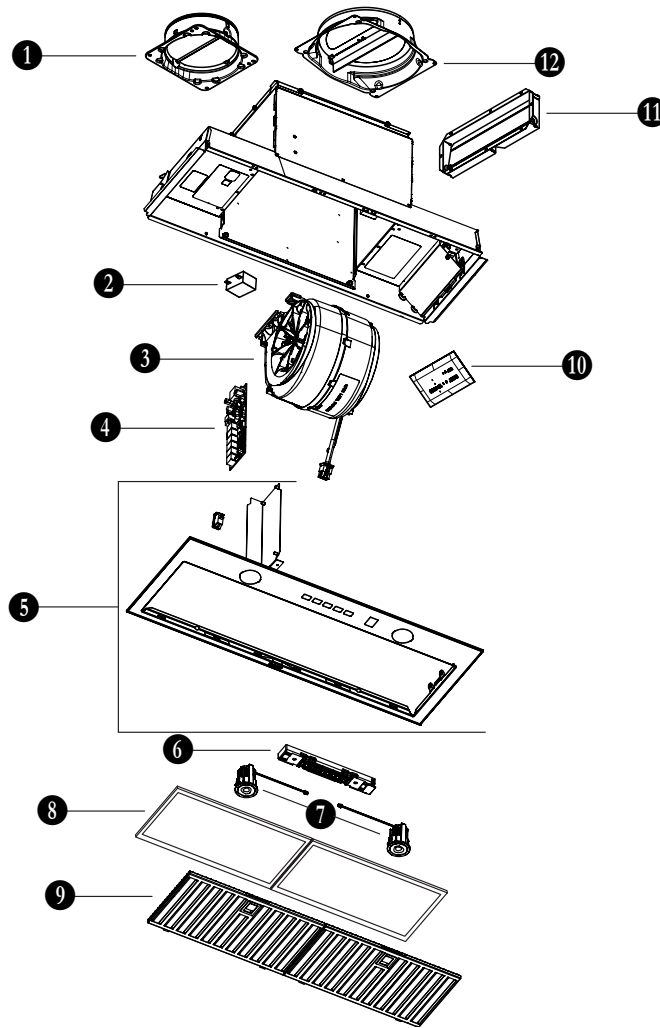


DIAGRAMA DE CABLEADO

INSTRUCCIONES DE INSTALACIÓN, USO Y CUIDADO

REF: 1106337_REV-A

HBN1246SS,
HBN1306SS



INSTRUCCIONES DE INSTALACIÓN, USO Y CUIDADO

PARTES DE SERVICIO

N.º	N.º DE PIEZA	DESCRIPCIÓN	HBN1246SS	HBN1306SS
1	SV08487	ADAPTADOR/COMPUERTA 6 PULG. REDONDO	1	1
2	S99271379	CONDENSADOR 25 µF	1	1
3	S97021509	VENTILADOR 600 PI ³ /MIN	1	1
4	S1108581	PLACA PRINCIPAL DE CIRCUITOS	1	1
5	S98012198-809	PANEL FRONTAL	1	
	S98012198-810	PANEL FRONTAL		1
6	S1108775	CONTROL TÁCTIL CON 5 TECLAS	1	1
7	S99271694	CONJUNTO DE MÓDULO LED (PAR)	1	1
8	S99010464-124	FILTROS DE CARBÓN CON CLIPS (NO ILLUSTRADOS) (INSTALACIÓN SIN CONDUCTO SOLAMENTE, INCLUIDO EN EL KIT DE RECIRCULACIÓN N.º HARKBN24) (PAR)	1	
	S99010464-130	FILTROS DE CARBÓN CON CLIPS (NO ILLUSTRADOS) (INSTALACIÓN SIN CONDUCTO SOLAMENTE, INCLUIDO EN EL KIT DE RECIRCULACIÓN N.º HARKBN30) (PAR)		1
9	HPFBN24	FILTROS DEFLECTOR HÍBRIDO (PAR)	1	
	HPFBN30	FILTROS DEFLECTOR HÍBRIDO (PAR)		1
10	S1104978	BOLSA DE PIEZAS QUE INCLUYE: 4 TORNILLOS PARA METALES N.º 8-18 x 1/4 PULG., 8 TORNILLOS PARA MADERA DE CABEZA TROCOCÓNICA N.º 8 x 5/8 PULG., 4 TORNILLOS PARA METALES N.º 8-32 x 1/4 PULG.	1	1
11	SR740014	ADAPTADOR/COMPUERTA 3 1/4 PULG. X 10 PULG.	1	1
12	SV24383	ADAPTADOR/COMPUERTA 8 PULG. REDONDO	1	1
13	S1106565	SENSOR INFRARROJO PARA FUNCIONAMIENTO AUTOMÁTICO (ARNÉS DE CABLES INCLUIDO) (NO ILLUSTRADO)	1	1

GARANTÍA LIMITADA DE CINCO AÑOS PARA PRODUCTOS BEST®

Periodo de garantía y exclusiones: Broan-NuTone LLC (la "Compañía") garantiza al consumidor quien compra su producto ("Usted") que el producto (el "Producto") será libre de defectos importantes de fabricación y de materiales por una duración de cinco (5) años a partir de la fecha de compra (o por una duración más larga si la ley aplicable lo exige) o un periodo de dos (2) años a partir de la fecha de prestación de un servicio sobre el Producto.

El periodo de garantía limitada para las piezas de repuesto proporcionadas por la Compañía y los Productos reparados bajo esta garantía limitada será el resto del periodo de garantía original (o un periodo más largo si la ley aplicable lo exige).

ESTA GARANTÍA EXCLUYE LOS ARRANCADORES DE LÁMPARAS FLUORESCENTES, LOS TUBOS, LAS BOMBILLAS, LOS FUSIBLES, LOS FILTROS, LOS CONDUCTOS, LAS TAPAS PARA TECHO, LAS TAPAS PARA PARED Y LOSI OTROS ACCESORIOS PARA CONDUCTOS.

También excluye: a) el mantenimiento normal, b) el uso y desgaste normales, c) los productos y las piezas que han sido objeto de un uso indebido, anormal o negligente, un maltrato, un accidente, un mantenimiento, almacenamiento o reparación inadecuados (excepto en caso de reparación por la Compañía), d) los daños causados por una instalación inadecuada, o por una instalación o un uso contrario a las recomendaciones o instrucciones, e) los daños causados por el contacto con el aire salino, f) los daños que ocurran durante el transporte, g) el desgaste normal del acabado, h) los Productos que son objeto de un uso comercial o no residencial, i) los daños causados por el fuego, una inundación u otro desastre natural o j) los Productos a los cuales se les haya alterado, desfigurado o removido el número de serie. Esta garantía solo cubre los Productos vendidos a consumidores de Norteamérica. Esta garantía substituye todas las garantías anteriores y, sin perjuicio de la ley aplicable, no se puede transferir por el comprador original.

Ninguna otra garantía: Esta garantía limitada enuncia la única obligación de la Compañía y el único recurso que tiene Usted en cuanto a los Productos defectuosos. Las garantías enunciadas arriba son exclusivas y se anteponen a todas las otras garantías y condiciones, ya sean expresas o implícitas.

EN LA MEDIDA MÁXIMA EN QUE LO PERMITA LA LEY APLICABLE, LA COMPAÑÍA RENUNCIA A TODAS LAS OTRAS GARANTÍAS Y CONDICIONES EXPRESAS O IMPLÍCITAS POR LA LEY Y LAS EXCLUYE, INCLUYENDO, ENTRE OTRAS, LAS GARANTÍAS DE COMERCIALIZACIÓN Y LAS DE IDONEIDAD PARA UN PROPÓSITO PARTICULAR. En la medida en que la ley aplicable prohíba la exclusión de las garantías o condiciones implícitas, la duración de cualquier garantía o condición implícita aplicable se limita al periodo indicado para la garantía expresa mencionada arriba. Ciertas jurisdicciones (incluyendo a veces la provincia de Quebec o ciertos estados de los Estados Unidos) prohíben la restricción de la duración de las garantías implícitas, así que la restricción mencionada arriba podría no aplicarse a Usted. Las descripciones orales o escritas del Producto tienen como único propósito identificar al Producto y no se deben interpretar como una garantía expresa.

Cuando sea posible, cada disposición de esta garantía limitada se debe interpretar de manera que tenga plena validez y efectos legales bajo la ley aplicable, pero en el caso de que se declare prohibida o nula una disposición, ésta será nula solo en la medida en que lo prevea esta prohibición o nulidad, sin efecto para los otros elementos de esta disposición o las otras disposiciones de esta garantía limitada.

Recurso: Durante el periodo de garantía limitada aplicable, la Compañía, según su criterio, proporcionará piezas de repuesto o servicios de reparación o reemplazo sin cargo alguno para cualquier Producto o pieza de Producto, en la medida en que la Compañía constata a) que esta garantía cubre este Producto o esta pieza bajo un uso y mantenimiento normales y b) que la garantía queda incumplida. La Compañía le enviará el Producto reparado, el producto de reemplazo o las piezas de repuesto sin cargo alguno. Usted tendrá que pagar todos los costos de desinstalación, reinstalación y envío así como los otros cargos de transporte relacionados con el envío del Producto o la pieza a la Compañía. Si Usted debe enviar el Producto o la pieza a la Compañía, conforme a las instrucciones de la misma, Usted tendrá que empaquetar el Producto o la pieza correctamente; la Compañía no es responsable de los daños que ocurran durante el transporte. La Compañía se reserva el derecho de utilizar Productos o piezas reacondicionados, renovados, reparados o remanufacturados para la reparación o el reemplazo bajo esta garantía. Estos Productos y piezas serán comparables en cuanto a la función y el rendimiento con el Producto o la pieza original y serán garantizados por la duración restante del periodo de garantía original (o por una duración más larga si la ley aplicable lo exige).

La Compañía se reserva el derecho, según su exclusivo criterio, de reembolsar el monto que Usted haya realmente pagado por el Producto. Si el Producto o la pieza ya no está disponible, la Compañía puede, según su exclusivo criterio, reemplazarlo con un producto similar de valor igual o superior. Esto constituye su único y exclusivo recurso en caso de incumplimiento de esta garantía limitada.

Exclusión de daños: LA OBLIGACIÓN DE LA COMPAÑÍA DE PROPORCIONAR PIEZAS DE REPUESTO O DE REPARAR O REEMPLAZAR EL PRODUCTO, SEGÚN SU CRITERIO, ES EL ÚNICO Y EXCLUSIVO RECURSO QUE TIENE USTED BAJO ESTA GARANTÍA LIMITADA Y LA ÚNICA OBLIGACIÓN DE LA COMPAÑÍA. ÉSTA NO SERÁ RESPONSABLE DE LOS DAÑOS INCIDENTALES, INDIRECTOS, CONSECUENTES O ESPECIALES CAUSADOS DIRECTAMENTE O INDIRECTAMENTE POR EL PRODUCTO, SU USO O SU RENDIMIENTO.

Puesto que ciertas jurisdicciones prohíben la exclusión o restricción de los daños incidentales o consecuentes, la exclusión o restricción mencionada arriba podría no aplicarse a Usted. Esta garantía le otorga derechos legales específicos, y Usted también podría tener otros derechos, los cuales pueden ser diferentes según la jurisdicción. Las renunciaciones, exclusiones y restricciones de responsabilidad bajo esta garantía no se aplican en la medida en que lo prohíba la ley aplicable. Esta garantía solo cubre el reemplazo o la reparación de las piezas o los Productos defectuosos al sitio de negocio principal de la Compañía; los gastos de viaje y estancia relacionados con los servicios de campo están excluidos. Cualquier asistencia proporcionada u obtenida para Usted por la Compañía y que no está cubierta por las condiciones, restricciones o exclusiones de esta garantía limitada no constituye una renuncia a estas condiciones, restricciones y exclusiones, y la prestación de dicha asistencia no prolongará o restablecerá la garantía. La Compañía no le reembolsará los gastos que Usted haya hecho por la reparación o el reemplazo de un Producto defectuoso, excepto si Usted ha previamente recibido el permiso escrito de la Compañía por ellos.

Cómo obtener el servicio de la garantía: Para tener derecho al servicio de garantía, Usted debe a) informar la Compañía a la dirección o al número de teléfono escrito aquí abajo dentro de siete (7) días después de que haya descubierto el defecto cubierto, b) dar el número de serie y los datos de identificación de la pieza y c) describir la naturaleza de cualquier defecto del Producto o de la pieza. Cuando solicite el servicio de garantía, Usted tiene que presentar una prueba de la fecha de compra original. Si no puede proporcionar una copia de la versión escrita original de la garantía limitada, las condiciones de la versión más reciente de la garantía limitada de la Compañía para su producto se aplicarán.

ESPECIFICACIONES DEL PRODUCTO

Todas las ilustraciones y las especificaciones en este catálogo están establecidas según la información que era la más reciente en el momento en cual fue producido. Broan-NuTone LLC y BEST® se reservan el derecho de cambiar, en cualquier momento y sin previo aviso, los precios, colores, materiales, productos, especificaciones y modelos y el lugar de fabricación, así como de parar la producción de un modelo o producto.

BEST 926 West State Street, Hartford, Wisconsin USA 53027 BestRangeHoods.com 800-558-1711

BEST 550 Lemire Blvd., Drummondville, Québec, Canada J2C 7W9 BestRangeHoods.ca 800-567-3855