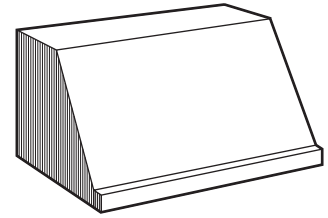


# CLASSICO WP28M SERIES RANGE HOOD



Timeless canopy style has been the standard of excellence. Classico provides high ventilation and durable construction to meet the needs of professional-style cooking appliances.

A complete installation requires several optional components. Refer to pages 2, 3 & 4 when planning your installation.

### FEATURES

- 430 Stainless Steel construction - 22 gauge
- Hood width: 30", 36", 42", 48", 54", 60"
- Halogen lighting (2 x 50 watt GU10 for 30", 36" and 42" hood, 4 x 50 watt GU10 for 48", 54" and 60" hood) Lamps included
- Infinite speed rotary blower control with on-off rocker switch
- Easily accessible, mesh-lined, Hi-Flow™ dishwasher-safe baffle filters
- Heat Sentry turns blower ON to HIGH speed when excess heat is detected
- For indoor use only

### OPTION

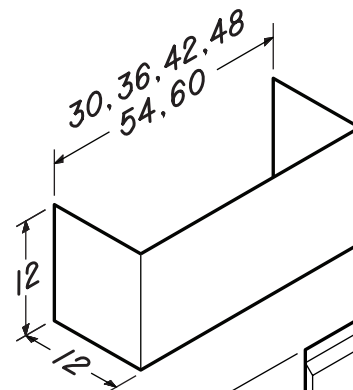
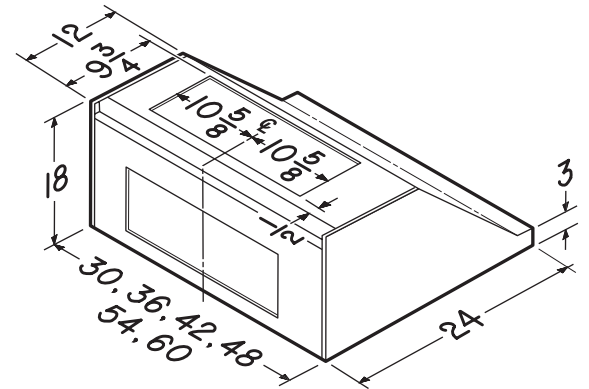
- Backsplash (RMP Series): Widths - 30" to 60" in 6" increments. Stainless Steel construction - protects back wall and wipes clean easily
- Decorative flue (AEWP28 Series): Widths - 30" to 60" in 6" increments  
Stainless Steel construction - hides ducting and wipes clean easily
- Designed for use with interior blower models P3, P6, P12, iQ6 or iQ12; exterior blower models EB6, EB9, EB12, or EB15; and in-line blower models ILB3, ILB6, ILB9 or ILB11 (Purchase blowers separately)

### SPECIFICATIONS

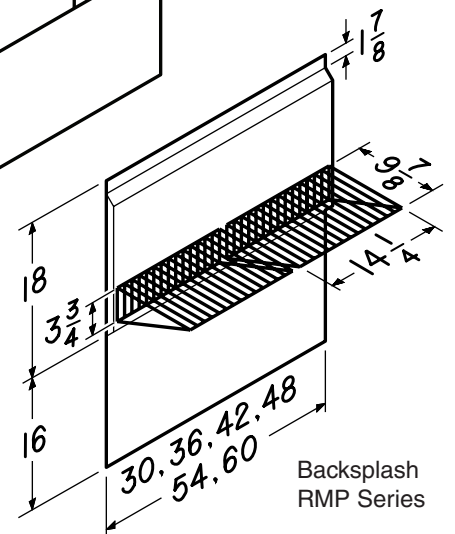
120 VAC, 60 Hz

Amps for 36" hood (without blower): 0.8 A

Amps for 48" hood (without blower): 1.7 A



Decorative Flue  
AEWP28 Series

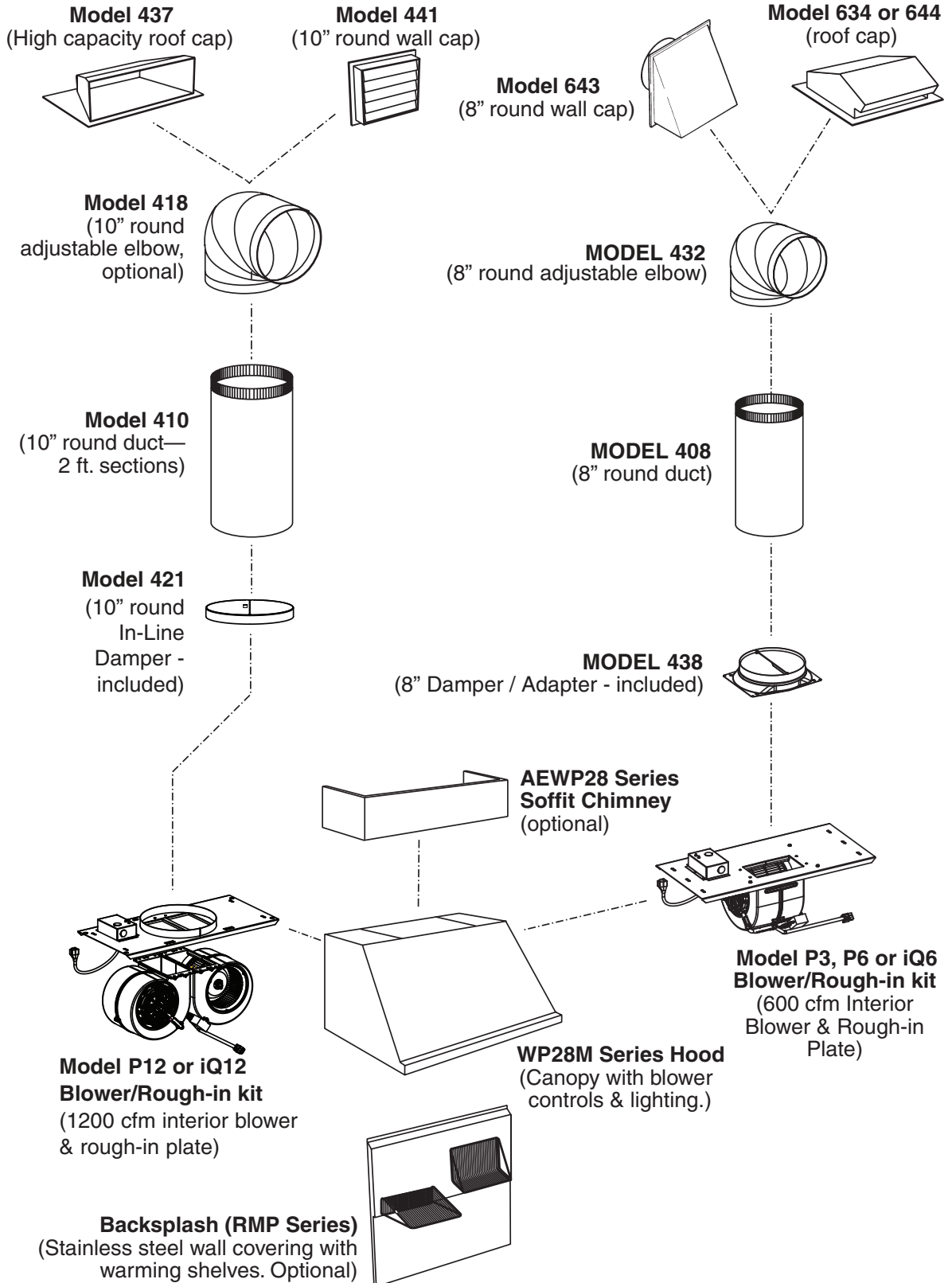


Backsplash  
RMP Series

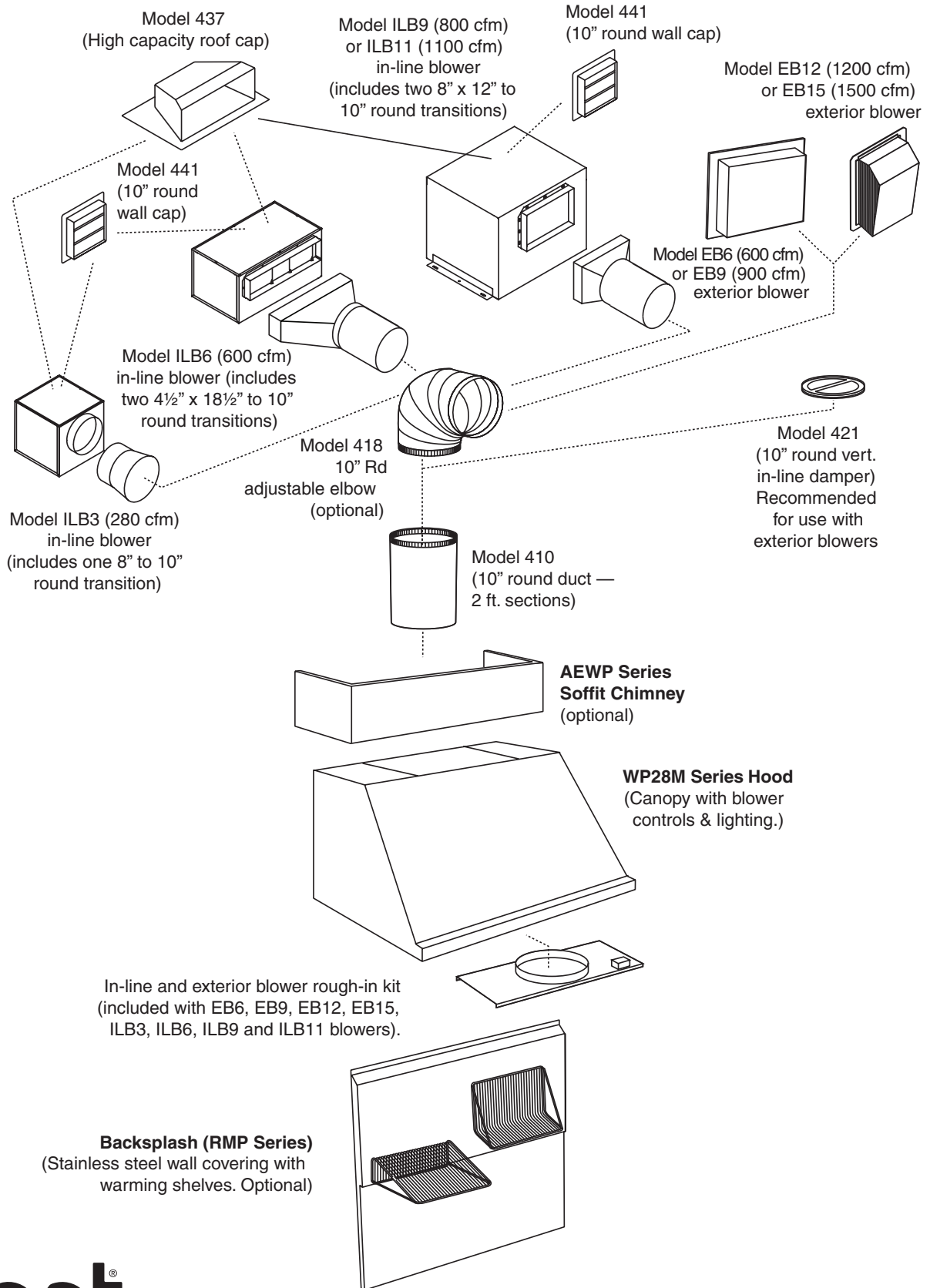
BEST Hartford, Wisconsin [www.BestRangeHoods.com](http://www.BestRangeHoods.com) 800-558-1711  
BEST Drummondville, QC Canada [www.BestRangeHoods.com](http://www.BestRangeHoods.com) 866-737-7770

REFERENCE	QTY.	REMARKS	Project
			Location
			Architect
			Engineer
			Contractor
			Submitted by
			Date

# - WP28M SERIES RANGE HOOD SYSTEM - INTERIOR BLOWERS



# - WP28M SERIES RANGE HOOD SYSTEM - IN-LINE AND EXTERIOR BLOWERS



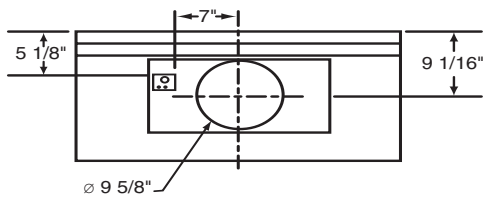
# - WP28M SERIES RANGE HOOD SYSTEM - BLOWER DUCTING POSITION

## BLOWER DUCTING POSITION

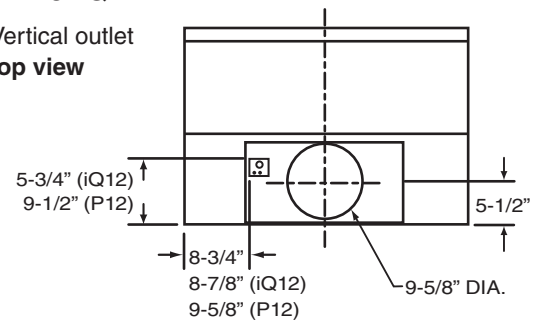
(Choice of transition will determine the final duct placement.)

### MODEL EB6, EB9, EB12, EB15, ILB3, ILB6, ILB9, ILB11, P12 & iQ12:

Horizontal outlet  
back view

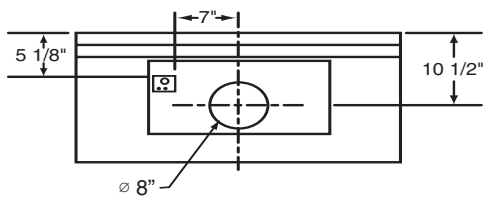


Vertical outlet  
top view

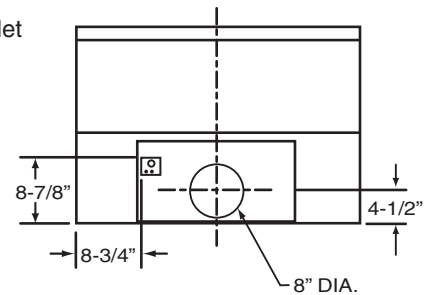


### MODEL P6 & iQ6:

Horizontal outlet  
back view



Vertical outlet  
top view



Note: The electrical box dimensions are 2.5" x 3"