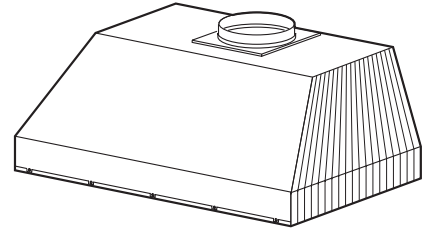


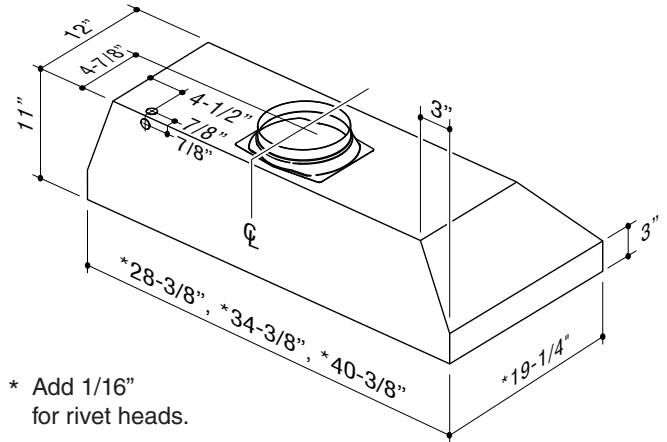
# CP34 SERIES RANGE HOODS



All-in-one design includes liner, blower, filtration, controls, lighting, and damper for easy installation into custom canopy hoods. Intended for all residential applications, including commercial-style cooking surfaces.

### FEATURES

- Cabinet mount - custom applications
- Finish: 430 Stainless Steel #4 Brushed
- Widths: 28-3/8", 34-3/8", 40-3/8"
- Depth: 19-1/4"
- 8" round duct connector with backdraft damper
- Two-setting cooktop lighting (Uses two 50W, GU10 halogen lamps. Bulbs included.)
- Easily accessible, dishwasher safe stainless steel baffle filters with handles
- Infinite speed rotary blower control with on-off rocker switch
- Powerful, centrifugal blower with high-efficiency motor produces 290 CFM
- Quiet, normal speed operation
- Heat Sentry™ - automatically turns blower to high speed when excess cooking heat is detected
- For indoor use only



\* Add 1/16" for rivet heads.



HVI-2100 CERTIFIED RATINGS comply with new testing technologies and procedures prescribed by the Home Ventilating Institute, for off-the-shelf products, as they are available to consumers. Product performance is rated at 0.1 in. static pressure, based on tests conducted in a state-of-the-art test laboratory. Sones are a measure of humanly-perceived loudness, based on laboratory measurements.

### SPECIFICATIONS

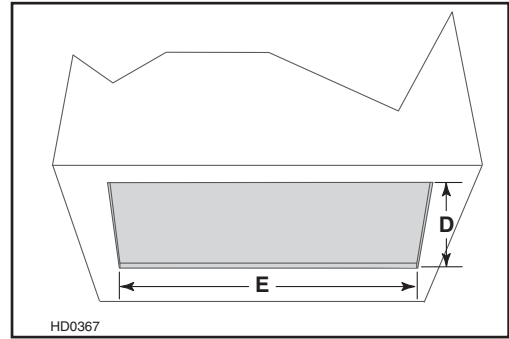
| MODEL NO. | VOLTS | AMPS | CFM / SONES<br>(High Speed) | CFM / SONES<br>(Low Speed) | DUCT     |
|-----------|-------|------|-----------------------------|----------------------------|----------|
| CP34      | 120   | 5.0  | 290 / 11.5                  | 130 / 3.0                  | 8" round |

BEST Hartford, Wisconsin www.BestRangeHoods.com 800-558-1711

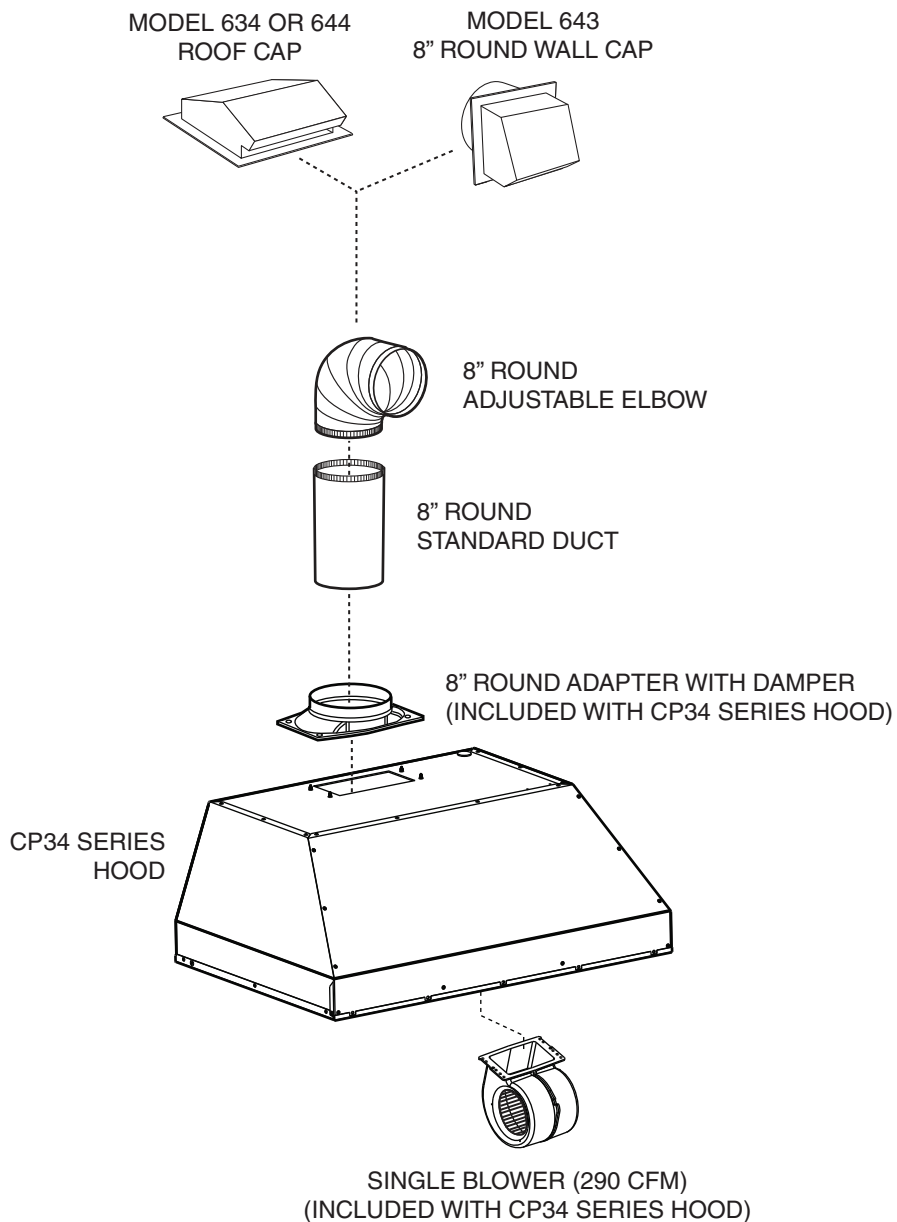
| REFERENCE | QTY. | REMARKS | Project      |
|-----------|------|---------|--------------|
|           |      |         | Location     |
|           |      |         | Architect    |
|           |      |         | Engineer     |
|           |      |         | Contractor   |
|           |      |         | Submitted by |
|           |      |         | Date         |

To minimize the gap around the power pack, take actual width and depth measurements of power pack and add 1/16" to get **D** and **E** measurements. Cut the hole in the bottom of the cabinet according to dimensions. See chart and illustration for details.

| POWER PACK MODEL | WIDTH | CUTOUT DIMENSIONS |         |
|------------------|-------|-------------------|---------|
|                  |       | D                 | E       |
| CP34             | 30"   | 19 3/8"           | 28 1/2" |
|                  | 36"   | 19 3/8"           | 34 1/2" |
|                  | 42"   | 19 3/8"           | 40 1/2" |



## CP34 SERIES HOOD SYSTEM



**best**<sup>®</sup>