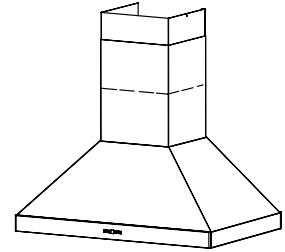


# COLONNE WPP9E SERIES RANGE HOOD



The traditional chimney hood design from Italy has stood the test of time. The Colonne builds on this legacy with a new powerful design that can handle the needs of pro-style cooking.

### FEATURES

- Italian design
- Wall mount
- Finishes: 430 Stainless Steel, #4 Brushed
- Widths: 36", 42", 48", 54"
- Telescopic flue accommodates 8' to 9' ceilings
- 10" round duct connector/backdraft damper
- 2-level halogen lamps, T4, G9, 25 Watt (3 lamps on 36" & 42" widths, 4 lamps on 48" & 54" widths)
- Use with exterior-mounted or in-line remote blowers for different levels of exhaust capacity (see specifications - blower purchased separately)
- Heat Sentry™ - automatically turns blower to high speed when excess cooking heat is detected
- Delay timer control automatically shuts off range hood after 10 minutes
- Special control indicates when it's time to clean the filter
- Dishwasher-safe, mesh lined, Hi-Flow™ baffle filters
- For indoor use only

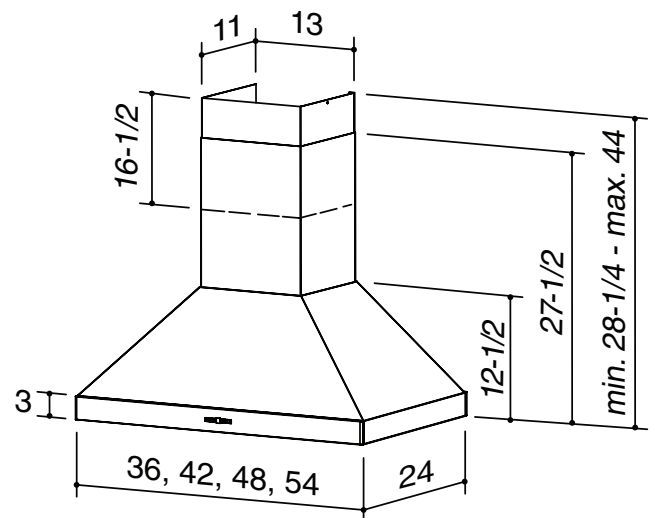
### OPTIONS

- 8-in. to 10-in. transition (Model 414)
- Flue extension for 10-ft. to 11-ft. ceilings (Model AEWPP9SB, stainless steel)



### SPECIFICATIONS

WITH OPTIONAL BLOWER MODELS	BLOWER CFM	VOLTS	AMPS	DUCT
EB6	600 max.	120	0.63 (36", 42")	10-in. round at the hood.  See blower specs for duct requirements.
EB9	900 max.			
EB12	1200 max.			
EB15	1500 max.			
ILB3	280 max.			
ILB6	600 max.			
ILB9	800 max.			
ILB11	1100 max.			

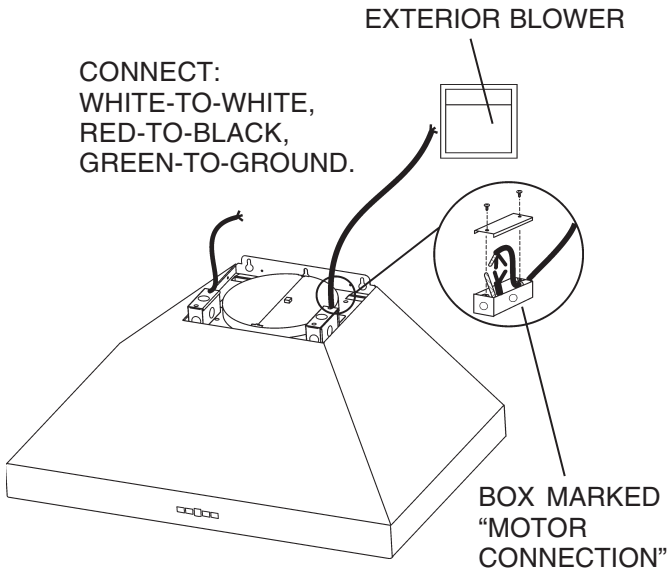


BEST Hartford, Wisconsin [www.BestRangeHoods.com](http://www.BestRangeHoods.com) 800-558-1711  
 BEST Drummondville, QC, Canada [www.BestRangeHoods.com](http://www.BestRangeHoods.com) 866-737-7770

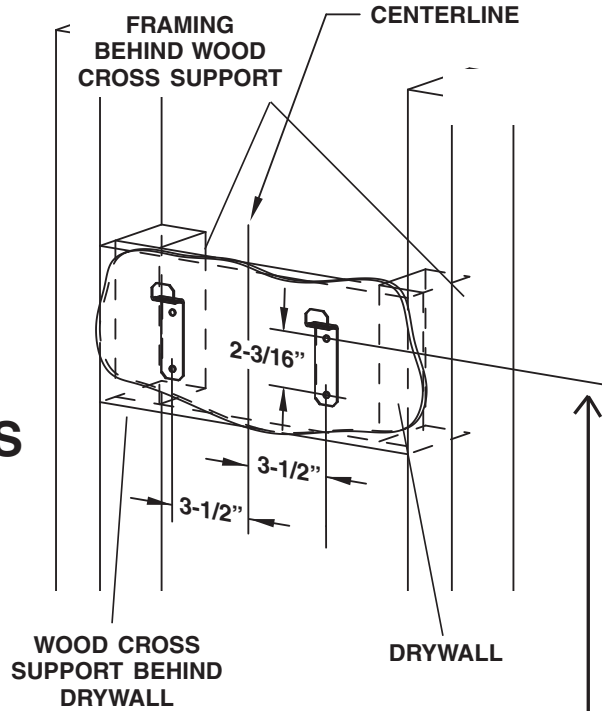
REFERENCE	QTY.	REMARKS	Project
			Location
			Architect
			Engineer
			Contractor
			Submitted by
			Date

# WPP9E SERIES WIRING

## BLOWER CONNECTION AT HOOD



## WPP9E SERIES MOUNTING



CEILING HEIGHT	DUCT METHOD	HOOD DISTANCE ABOVE 36" HIGH COOK TOP (see note below)												
		24"	25"	26"	27"	28"	29"	30"	31"	32"	33"	34"	35"	36"
		MOUNTING BRACKET CENTER HOLE LOCATION ABOVE 36" HIGH COOK TOP												
8 FEET	DUCTED	44 1/4"	45 1/4"	46 1/4"	47 1/4"	48 1/4"	49 1/4"	50 1/4"	51 1/4"	52 1/4"	53 1/4"	54 1/4"	55 1/4"	56 1/4"
9 FEET	DUCTED							50 1/4"	51 1/4"	52 1/4"	53 1/4"	54 1/4"	55 1/4"	56 1/4"
10 FEET (see note b.)	DUCTED	44 1/4"	45 1/4"	46 1/4"	47 1/4"	48 1/4"	49 1/4"	50 1/4"	51 1/4"	52 1/4"	53 1/4"			
11 FEET (see notes a. & b.)	DUCTED									52 1/4"	53 1/4"	54 1/4"	55 1/4"	56 1/4"

- Minimum hood distance above cook top must not be less than 24". A maximum of 30" above cook top is highly recommended for best capture of cooking impurities. Distances over 30" are at the installer and user's discretion; and if ceiling height and flue length permit.
- Requires optional 10-ft. to 11-ft. flue extension, ducted model AEWPP9SB.