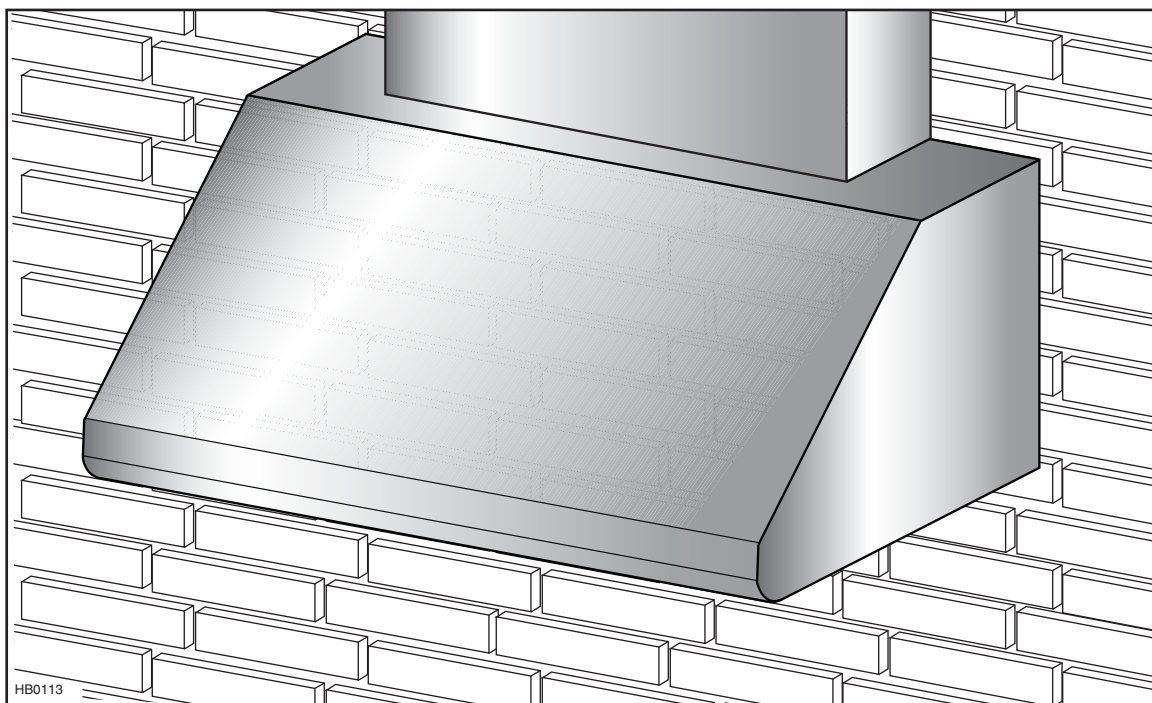


best®



WPD39M SERIES

⚠ INTENDED FOR DOMESTIC COOKING ONLY ⚠

READ AND SAVE THESE INSTRUCTIONS

INSTALLER: LEAVE THIS MANUAL WITH HOMEOWNER.
HOMEOWNER: USE AND CARE INFORMATION ON PAGES 9 AND 10.

BEST; Hartford, Wisconsin www.BestRangeHoods.com 800 558-1711
BEST; Drummondville, QC, Canada www.BestRangeHoods.com 866 737-7770



To register your product online or for additional information visit www.BestRangeHoods.com

⚠ WARNING

TO REDUCE THE RISK OF FIRE, ELECTRIC SHOCK OR INJURY TO PERSONS, OBSERVE THE FOLLOWING:

1. Use this unit only in the manner intended by the manufacturer. If you have questions, contact the manufacturer at the address or telephone number listed in the warranty.
2. Before servicing or cleaning unit, switch power off at service panel and lock service disconnecting means to prevent power from being switched on accidentally. When the service disconnecting means cannot be locked, securely fasten a prominent warning device, such as a tag, to the service panel.
3. Installation work and electrical wiring must be done by qualified personnel in accordance with all applicable codes and standards, including fire-rated construction codes and standards.
4. Sufficient air is needed for proper combustion and exhausting of gases through the flue (chimney) of fuel burning equipment to prevent backdrafting. Follow the heating equipment manufacturer's guidelines and safety standards such as those published by the National Fire Protection Association (NFPA) and the American Society for Heating, Refrigeration and Air Conditioning Engineers (ASHRAE) and the local code authorities.
5. When cutting or drilling into wall or ceiling, do not damage electrical wiring and other hidden utilities.
6. Ducted fans must always be vented to the outdoors.
7. Do not use this unit with any additional solid-state speed control device.
8. To reduce the risk of fire, use only metal ductwork.
9. This unit must be grounded and protected by a GFCI.
10. Suitable for use in damp locations only when installed in a GFCI PROTECTED branch-circuit.
11. This unit is not designed to be used with a charcoal grill.
12. When applicable local regulations comprise more restrictive installation and/or certification requirements, the aforementioned requirements prevail on those of this document and the installer agrees to conform to these at his own expenses.

TO REDUCE THE RISK OF A RANGE TOP GREASE FIRE:

- a) Never leave surface units unattended at high settings. Boilovers cause smoking and greasy spillovers that may ignite. Heat oils slowly on low or medium settings.
- b) Always turn hood ON when cooking at high heat or when flambeing food (i.e.: Crêpes Suzette, Cherries Jubilee, Peppercorn Beef Flambé).
- c) Clean ventilating fans frequently. Grease should not be allowed to accumulate on fan, filters or in exhaust ducts.
- d) Use proper pan size. Always use cookware appropriate for the size of the surface element.

⚠ WARNING

TO REDUCE THE RISK OF INJURY TO PERSONS IN THE EVENT OF A RANGE TOP GREASE FIRE, OBSERVE THE FOLLOWING*:

1. SMOTHER FLAMES with a close-fitting lid, cookie sheet or metal tray, then turn off the burner. BE CAREFUL TO PREVENT BURNS. IF THE FLAMES DO NOT GO OUT IMMEDIATELY, EVACUATE AND CALL THE FIRE DEPARTMENT.
2. NEVER PICK UP A FLAMING PAN — You may be burned.
3. DO NOT USE WATER, including wet dishcloths or towels — This could cause a violent steam explosion.
4. Use an extinguisher ONLY if:
 - A. You own a Class ABC extinguisher and you know how to operate it.
 - B. The fire is small and contained in the area where it started.
 - C. The fire department has been called.
 - D. You can fight the fire with your back to an exit.

* Based on "Kitchen Fire Safety Tips" published by NFPA.

CAUTION

1. For general ventilating use only. Do not use to exhaust hazardous or explosive materials and vapors.
2. To avoid motor bearing damage and noisy and/or unbalanced impellers, keep drywall spray, construction dust, etc. off power unit.
3. Your hood motor has a thermal overload which will automatically shut off the motor if it becomes overheated. The motor will restart when it cools down. If the motor continues to shut off and restart, have the hood serviced.
4. For best capture of cooking impurities, the bottom of the hood must be located at a distance of 36" above cooking surface.
5. Two installers are recommended because of the large size and weight of this unit.
6. To reduce the risk of fire and to properly exhaust air, be sure to duct air outside — Do not exhaust air into spaces within walls or ceiling or into attics, crawl space or garage.
7. This product is equipped with a thermostat which may start blower automatically. To reduce the risk of injury and to prevent power from being switched on accidentally, switch power off at service panel and lock or tag service panel.
8. Please read specification label on product for further information and requirements.

TABLE OF CONTENTS

WPD39M SERIES RANGE HOOD SYSTEM.....	4
1. SELECT BLOWER OPTION, INSTALL DUCTWORK AND ELECTRICAL WIRING	5
2. PREPARE INSTALLATION.....	6
3. INSTALL BACKSPLASH (OPTIONAL).....	6
4. INSTALL WALL EXTENSION (OPTIONAL).....	6
5. REMOVE BAFFLE FILTERS, GREASE TRAY AND PANEL ASSEMBLY	6
6. INSTALL WOOD MOUNTING STRIP (IF NOT USING OPTIONAL WALL EXTENSION)	7
7. INSTALL HOOD.....	7
8. INSTALL ROUGH-IN PLATE.....	8
9. CONNECT WIRING	8
10. INSTALL BLOWER.....	8
11. INSTALL DECORATIVE FLUE COVER (OPTIONAL).....	9
12. REINSTALL PANEL ASSEMBLY, GREASE TRAY AND BAFFLE FILTERS.....	9
13. LIGHT BULBS REPLACEMENT.....	9
14. CARE.....	9-10
15. OPERATION	10
16. WIRING DIAGRAMS.....	11
17. SERVICE PARTS.....	12

WARRANTY

ONE-YEAR LIMITED WARRANTY FOR BEST PRODUCTS

Broan-NuTone LLC (Broan-NuTone) warrants to the original consumer purchaser of Best products that such products will be free from defects in materials or workmanship for a period of one year from the date of original purchase. THERE ARE NO OTHER WARRANTIES, EXPRESS OR IMPLIED, INCLUDING, BUT NOT LIMITED TO, IMPLIED WARRANTIES OR MERCHANTABILITY OR FITNESS FOR A PARTICULAR PURPOSE.

During this one-year period, Broan-NuTone will, at its option, repair or replace, without charge, any product or part which is found to be defective under normal use and service.

This warranty does not extend to fluorescent lamp starters, tubes, HALOGEN AND INCANDESCENT BULBS, fuses, filters, ducts, roof caps, wall caps and other accessories for ducting. This warranty does not cover (a) normal maintenance and service or (b) any products or parts which have been subject to misuse, negligence, accident, improper maintenance or repair (other than by Broan-NuTone), faulty installation or installation contrary to recommended installation instructions.

The duration of any implied warranty is limited to the one-year period as specified for the express warranty. Some states or provinces do not allow limitation on how long an implied warranty lasts, so the above limitation may not apply to you.

BROAN-NUTONE'S OBLIGATION TO REPAIR OR REPLACE, AT BROAN-NUTONE'S OPTION, SHALL BE THE PURCHASER'S SOLE AND EXCLUSIVE REMEDY UNDER THIS WARRANTY. BROAN-NUTONE SHALL NOT BE LIABLE FOR INCIDENTAL, CONSEQUENTIAL OR SPECIAL DAMAGES ARISING OUT OF OR IN CONNECTION WITH PRODUCT USE OR PERFORMANCE. Some states or provinces do not allow the exclusion or limitation of incidental or consequential damages, so the above limitation or exclusion may not apply to you.

This warranty gives you specific legal rights, and you may also have other rights, which vary from state to state or province to another. This warranty supersedes all prior warranties.

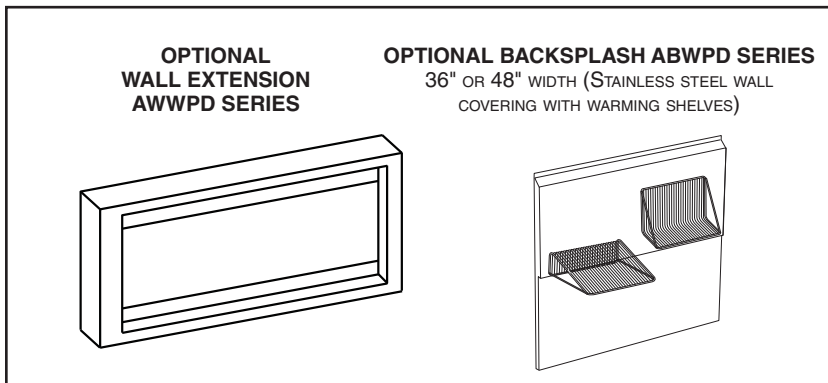
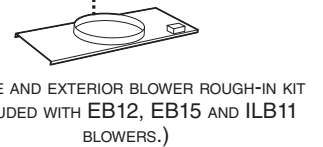
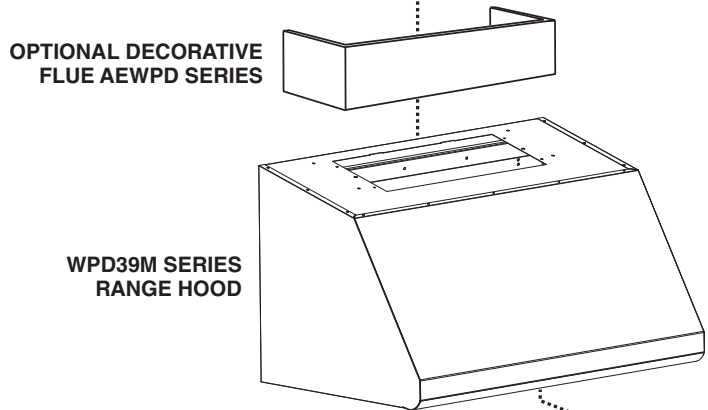
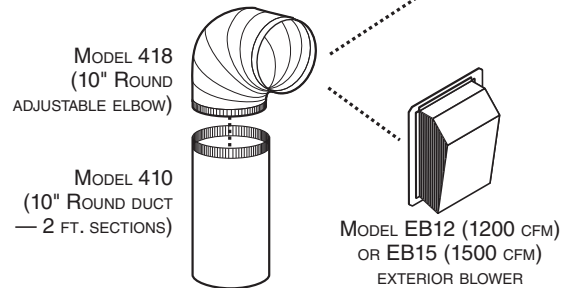
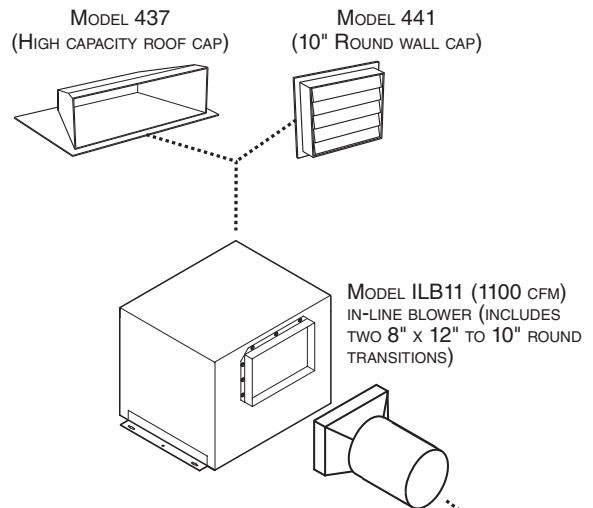
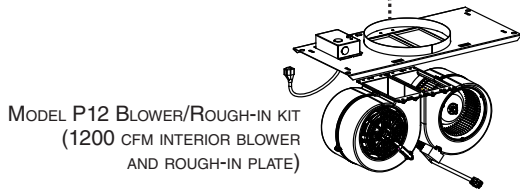
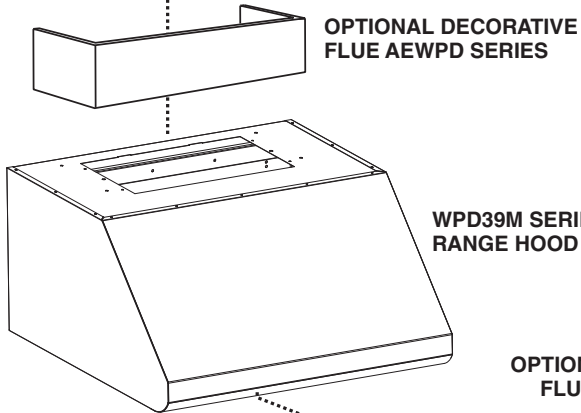
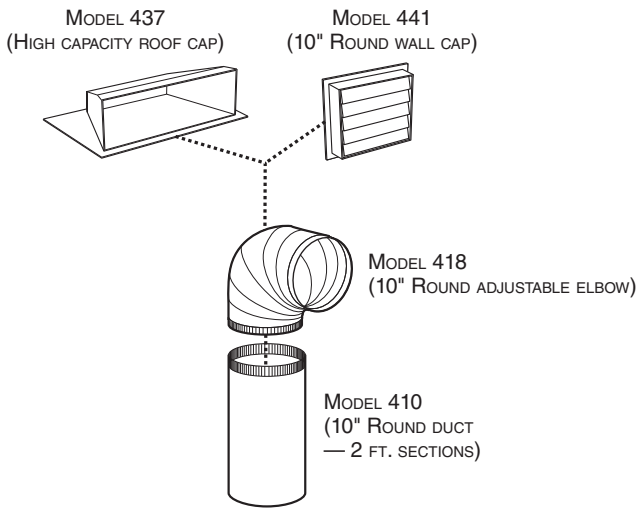
To qualify for warranty service, you must (a) notify Broan-NuTone at the address stated below or telephone number stated below, (b) give the model number and part identification and (c) describe the nature of any defect in the product or part. At the time of requesting warranty service, you must present evidence of the original purchase date.

In USA - Best®, 926 W. State Street, Hartford, WI 53027 (800-558-1711)

In Canada - Best®, 550 Lemire Blvd., Drummondville, QC, Canada, J2C 7W9 (866-737-7770)

www.BestRangeHoods.com

- WPD39M SERIES RANGE HOOD SYSTEM -



1. SELECT BLOWER OPTION, INSTALL DUCTWORK AND ELECTRICAL WIRING

CAUTION

This range hood is intended for outdoor covered patio or lanai area. As with all electric appliances, this unit must be protected from the effects of weather.

⚠ WARNING

This range hood is not designed for use with a charcoal grill.

Either an interior or exterior blower or in-line blower may be used with this range hood. It must be installed with blower models P12, ILB11, EB12 or EB15 only. Other blowers cannot be substituted. (Blowers sold separately).

Plan where and how the ductwork will be installed.

A straight, short duct run will allow the hood to perform most efficiently.

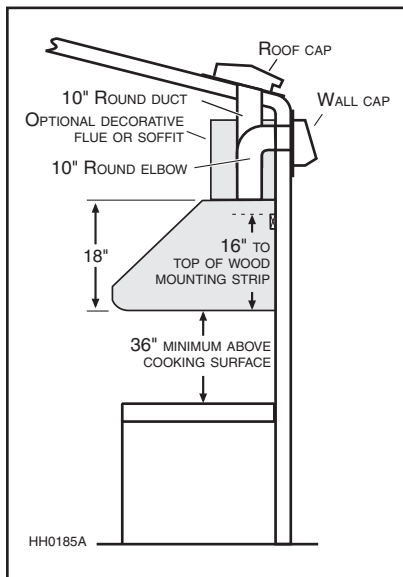
Install proper-sized ductwork, elbows and roof or wall cap for the type of blower you are installing. Connect metal ductwork to cap and work back towards the hood location. Use 2" metal foil duct tape to seal the joints.

Run 3-wire power supply cable to installation location.

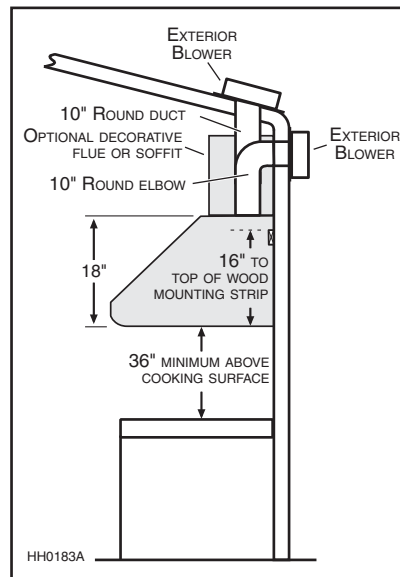
⚠ WARNING

The power cable must be a GFCI protected branch circuit.

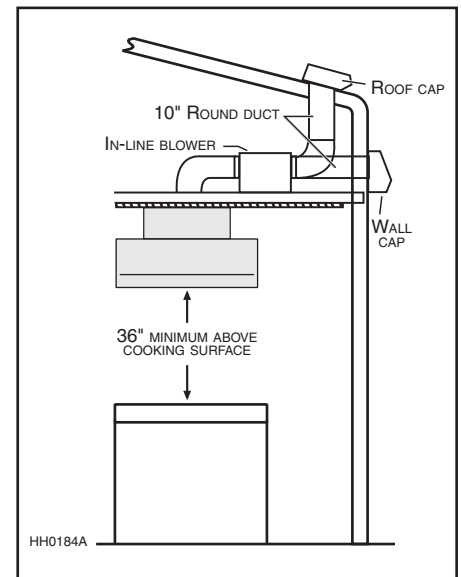
For best capture of cooking impurities, the bottom of the hood must be located at a distance of 36" above cooking surface.



MODEL P12 DUAL INTERIOR BLOWER
TYPICAL DUCTWORK



MODEL EB12 OR EB15 EXTERIOR BLOWER
TYPICAL DUCTWORK



MODEL ILB11 IN-LINE BLOWER
TYPICAL DUCTWORK

2. PREPARE INSTALLATION

⚠ WARNING

When performing installation, servicing or cleaning the unit, it is recommended to wear safety glasses and gloves.

NOTE: Before proceeding to the installation, check the contents of the box. If items are missing or damaged, contact the manufacturer.

Make sure that the following items are included:

- Range hood
 - Wood strip (attached to back of hood)
 - Installation manual
 - Accessories:
 - 4 Baffle filters with handles
 - Grease tray with handle
 - Shielded halogen bulbs (120 V, 50 W max., MR16 with GU10 base) (2 for 36" width hood, 3 for 48" and 60" width hoods)
 - Bag of parts: 3 waterproof wire connectors, 2 no. 8 x 5/8" screws, 6 no. 10 x 2" hex head screws, 4 no. 10 x 2" flat head screws, 2 wall anchors, 6 washers 3/16" ID x 3/4" OD, 4 stainless steel 10-32 locknuts
- Included in parts bag, but not to be used (please discard):
2 wire clamps LP16-AP, 2 no. 8 x 3/8" zinc-plated screws, 8 no. 8 x 3/8" stainless steel screws

Parts sold separately:

- Interior blower assembly model P12
- In-line blower assembly model ILB11
- Exterior blower assembly model EB12 or EB15
- ABWPD Series Backsplash, 36" or 48" width (optional)
- AEWPD Series Decorative flue, to be installed over the hood (optional)
- AWWPD Series Wall extension, 36", 48" or 60" width (optional)
- Transitions, duct, elbows, dampers, wall and roof caps

Refer to page 4 for a complete list of venting options and model numbers.

NOTE: During installation, protect countertop and/or cooktop.

3. INSTALL BACKSPLASH (OPTIONAL)

ABWPD Series (for 36" and 48" widths range hoods only)

Backsplash must be installed before the hood shell because the hood shell covers the backsplash top mounting screws (see instructions packed with backsplash).

4. INSTALL WALL EXTENSION (OPTIONAL)

AWWPD Series

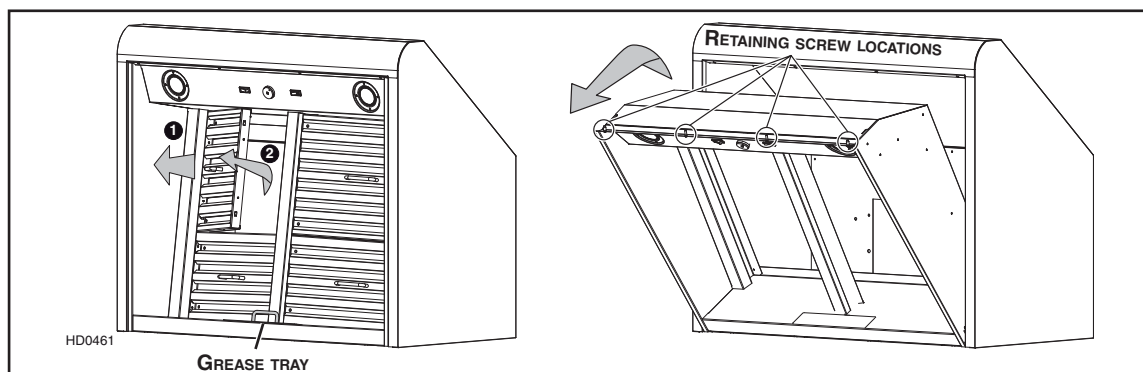
Wall extension must be installed before the hood (see instructions packed with wall extension).

5. REMOVE BAFFLE FILTERS, GREASE TRAY AND PANEL ASSEMBLY

Remove tape on filters. Remove filters from hood (as illustrated below) and set aside.

Remove tape on grease tray. Lift and pull grease tray to remove and set aside.

Remove panel assembly retaining screws (4, 5 or 6 depending on hood width) and set aside. Tilt panel assembly forward.



6. INSTALL WOOD MOUNTING STRIP (IF NOT USING OPTIONAL WALL EXTENSION)

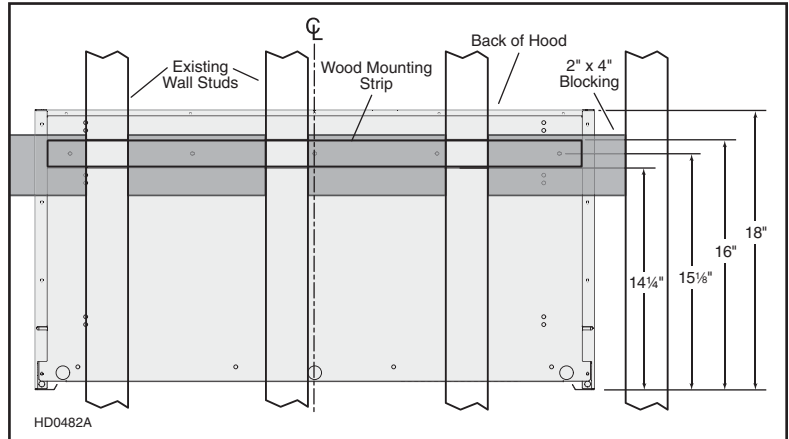
CAUTION

Due to the weight of this hood, ensure that the wood strip is attached to all of the available wall studs and blocking; not into the wall alone.

NOTE: If range hood is installed with optional wall extension, refer to the instructions sheet included with the wall extension for wood mounting strip location.

1. Proper structural support is required to accommodate the weight of the hood. Construct the wall framing using minimum 2" x 4" lumber.

2. Mark the center location of the hood.
3. Measure and mark a level line on wall above cooktop location for the wood mounting strip. Install 2" x 4" blockings between wall studs where mounting strip will be installed. Refer to illustration at right.
4. Remove wood mounting strip from back of hood.
5. Position the wood mounting strip on the wall and secure to the wall studs and blockings using 4 no. 10 x 2" flat head screws (included in parts bag).



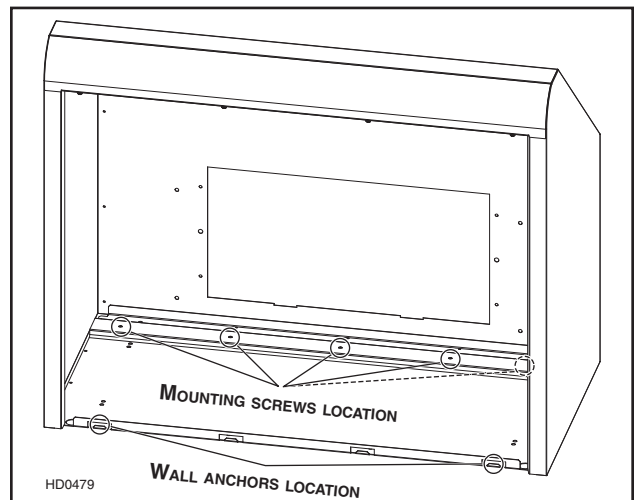
7 INSTALL HOOD

⚠ WARNING

Hold the hood until it is completely secured to the wood mounting strip.

Rest the back cavity of the hood on the wood mounting strip.

Secure the hood to the wood mounting strip using 5 no. 10 x 2" hex head screws at locations shown at right. Drill two 3/16" diameter holes into the wall for wall anchors through the existing holes in the lower back of the hood at locations shown at right. Then, install both wall anchors with both no. 8 x 5/8" screws and washers provided.



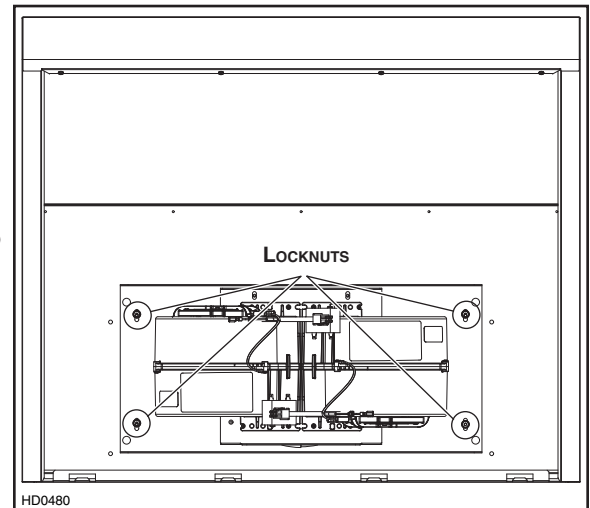
8. INSTALL ROUGH-IN PLATE

CAUTION

Install rough-in plate using 4 x 10-32 locknuts and washers included in hood parts bag. Discard nuts provided with rough-in plate.

Refer to the instructions included with the selected blower/rough-in kit (sold separately) for details on installing the rough-in plate. Install the rough-in plate so that the wiring box is located on the right side as you are facing the hood.

Attach 10" round duct to rough-in plate.



9. CONNECT WIRING

⚠ WARNING

Risk of electric shock. Electrical wiring must be done by qualified personnel in accordance with all applicable codes and standards. Before connecting wires, switch power off at service panel and lock service disconnecting means to prevent power to be switched on accidentally.

Remove wiring cover from rough-in plate and set aside.

Connect BLACK to BLACK, WHITE to WHITE and GREEN or bare wire under GREEN ground screw.

Reinstall wiring cover.

WATERPROOF WIRE CONNECTORS INSTRUCTIONS:

1. Strip wires 3/8".
2. Align frayed strands or conductors.
3. Do not pre-twist. Place stripped wires together with ends even, but lead smaller stranded wires slightly ahead of larger solid or stranded wire.
4. Twist connector onto wires pushing firmly until hand-tight. DO NOT over torque.
5. When inserting wires into connectors, some sealant may leak out. Wipe off excess sealant in and around conductors. DO NOT REUSE.

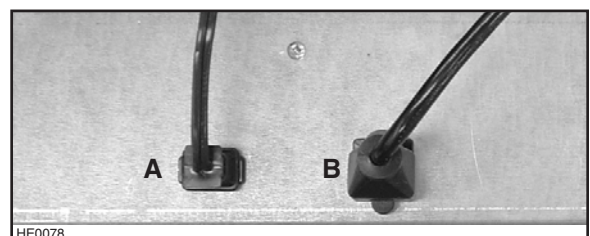
10. INSTALL BLOWER

Refer to instructions included with blower.

Once the blower is installed, plug the blower cord (A) into the female receptacle and the power supply cord (B) onto the male connector inside the hood.

⚠ WARNING

Do not plug the two cords into each other.



11. INSTALL DECORATIVE FLUE COVER (OPTIONAL)

AEWPD Series

Refer to the instructions included with the optional decorative flue.

12. REINSTALL PANEL ASSEMBLY, GREASE TRAY AND BAFFLE FILTERS

CAUTION

Remove protective plastic film covering filters before installing them.

1. Push panel assembly back inside hood and secure to the hood using previously removed screws (see step 5).
2. Reinstall grease tray.
3. Insert one side of the filter into the side channel of the hood. Raise the other side toward the center of the hood and insert in the grease drip rail.

13. LIGHT BULBS REPLACEMENT

This hood requires 120 V, 50 W, MR16 with GU10 base, shielded halogen bulbs (included). (2 for 36" width hood, 3 for 48" and 60" width hoods.)

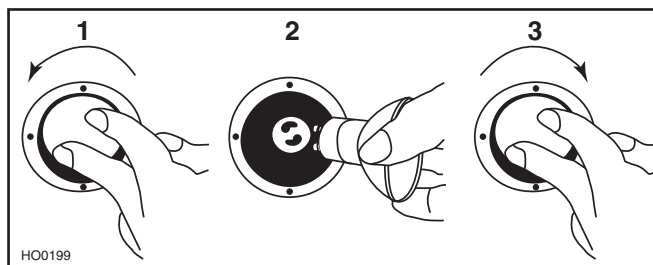
⚠ WARNING

Do not touch lamps during or soon after operation. Burns may occur. In order to prevent the risk of personal injury, only install shielded halogen lamps. Also, never install a cool beam, a dichroic lamp, a lamp not suitable for use in recessed luminaires or identified for use in enclosed fixtures.

1. To remove bulbs, gently push upwards and turn counterclockwise to disengage bulb leads from their grooves.

NOTE: To ease removal of the bulbs, use a rubber dishwashing glove or use suction cup tool available from Best. Contact Best Customer Service at 1-800-558-1711 to order suction cup tool, part no. 99526707.

2. Install the new bulbs by placing the bulb leads into their grooves in the socket.
3. Gently push upwards and turn clockwise until secure.



14. CARE

Baffle Filters

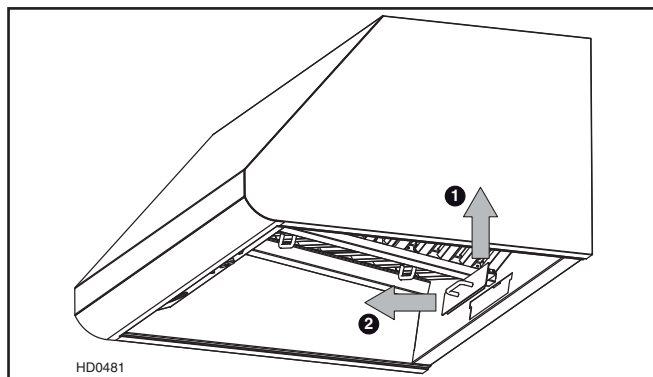
The baffle filters should be cleaned frequently. Use a warm detergent solution. Wash more often if your cooking style generates greater grease like frying foods or wok cooking.

Remove baffle filters by pushing them towards the side of the hood and rotating filters downward. Baffle filters are dishwasher safe. Allow filters to dry completely before reinstalling them in the hood.

Clean all-metal filters in the dishwasher using a non-phosphate detergent. Discoloration of the filter may occur if using phosphate detergent or as a result of local water conditions—but this will not affect filter performance. This discoloration is not covered by the warranty.

Grease Tray

The grease tray should be emptied and cleaned frequently. Remove from hood (as illustrated at right) and use a warm detergent solution. Wash more often if your cooking style generates greater grease like frying foods or wok cooking. Allow grease tray to dry completely before reinstalling it in the hood.



14. CARE (CONT'D)

Grease Drip Rail

The grease drip rail should be cleaned frequently. Wash with clean cloth soaked in warm detergent solution. Wash more often if your cooking style generates greater grease like frying foods or wok cooking.

Blower(s) Cleaning

Access the blower(s) and use vacuum to clean. Do not immerse in water.

Hood cleaning

Stainless steel cleaning:

Do:	Don't:
<ul style="list-style-type: none">Regularly wash with clean cloth or rag soaked with warm water and mild soap or liquid dish detergent.Always clean in the direction of original polish lines.Always rinse well with clear water (2 or 3 times) after cleaning. Wipe dry completely.You may also use a specialized household stainless steel cleaner.	<ul style="list-style-type: none">Use any steel or stainless steel wool or any other scrapers to remove stubborn dirt.Use any harsh or abrasive cleansers.Allow dirt to accumulate.Let plaster dust or any other construction residues reach the hood. During construction/renovation, cover the hood to make sure no dust sticks to stainless steel surface.

Avoid when choosing a detergent:

- Any cleaners that contain **bleach** will attack stainless steel.
- Any products containing: **chloride, fluoride, iodide, bromide** will deteriorate surfaces rapidly.
- Any combustible products used for cleaning such as **acetone, alcohol, ether, benzol**, etc., are highly explosive and should never be used close to a range.

15. OPERATION

BLOWER

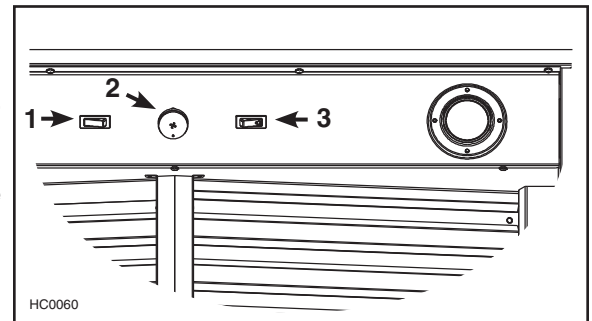
The blower is operated using two controls.

Use the on/off rocker switch (1) to start and stop the blower. When turned ON, the switch turns red and the blower operates at the speed set by the speed control knob (2).

Turn the speed control knob clockwise to increase blower speed – counterclockwise to decrease speed.

COOKTOP LIGHTING (HALOGEN)

Use the on/off rocker switch (3) to turn the halogen lights ON or OFF.



- 1) ON/OFF blower switch
- 2) Blower speed control knob
- 3) Halogen light switch

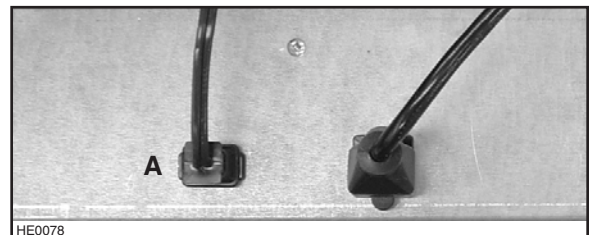
HEAT SENTRY™

This hood is equipped with a Heat Sentry™ thermostat. This thermostat is a device that will turn on the blower to high speed if it senses excessive heat above the cooking surface.

- 1) If blower is OFF - it turns blower ON to high speed.
- 2) If blower is already ON it sets blower on high speed.

⚠ WARNING

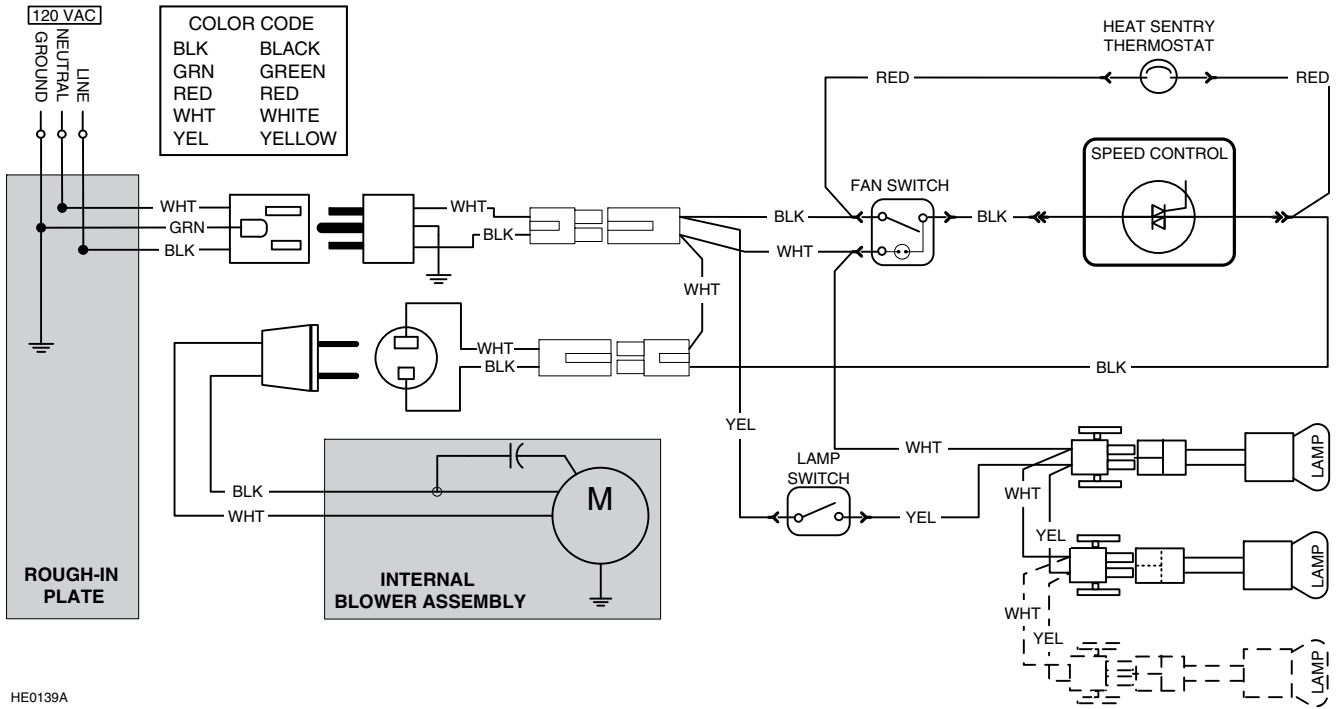
The HEAT SENTRY can start the blower during a range top fire or other excessive heat situations even if the hood is turned off. In this case, it is impossible to turn the blower OFF using control panel switch. To stop the blower, disconnect blower plug (A).



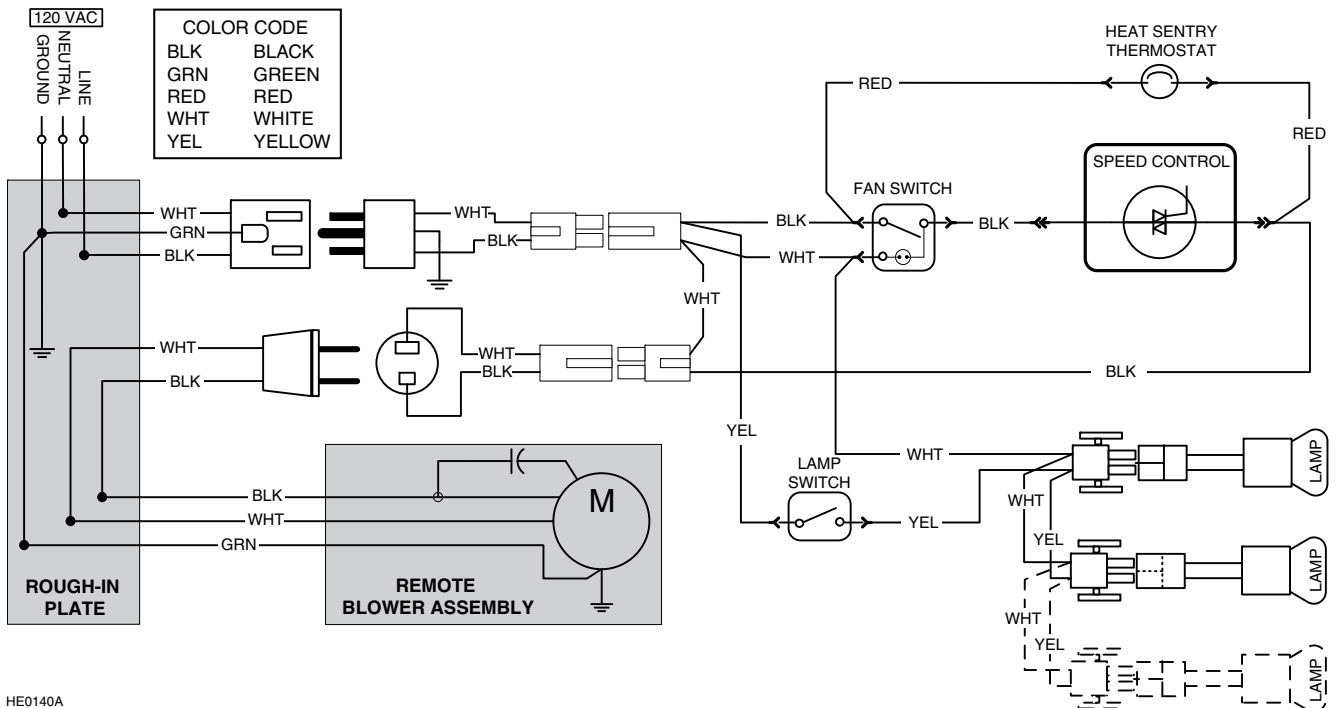
When the temperature level drops to normal, the blower will return to its original setting.

16. WIRING DIAGRAMS

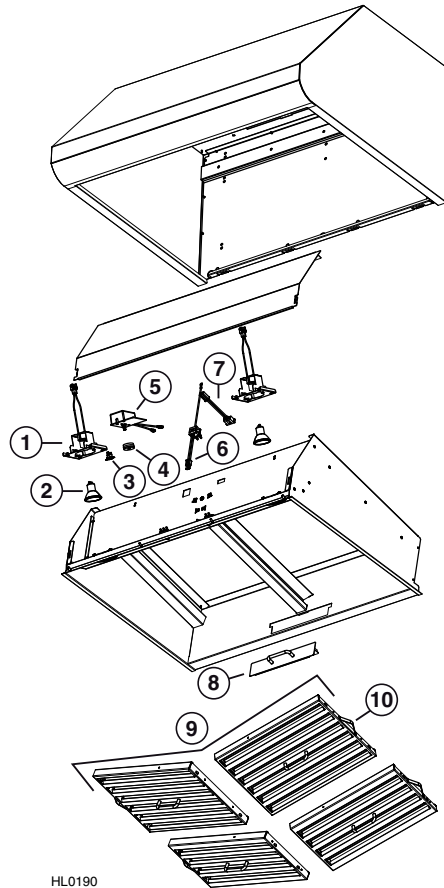
Internal blower assembly



Internal blower assembly



17. SERVICE PARTS



HL0190

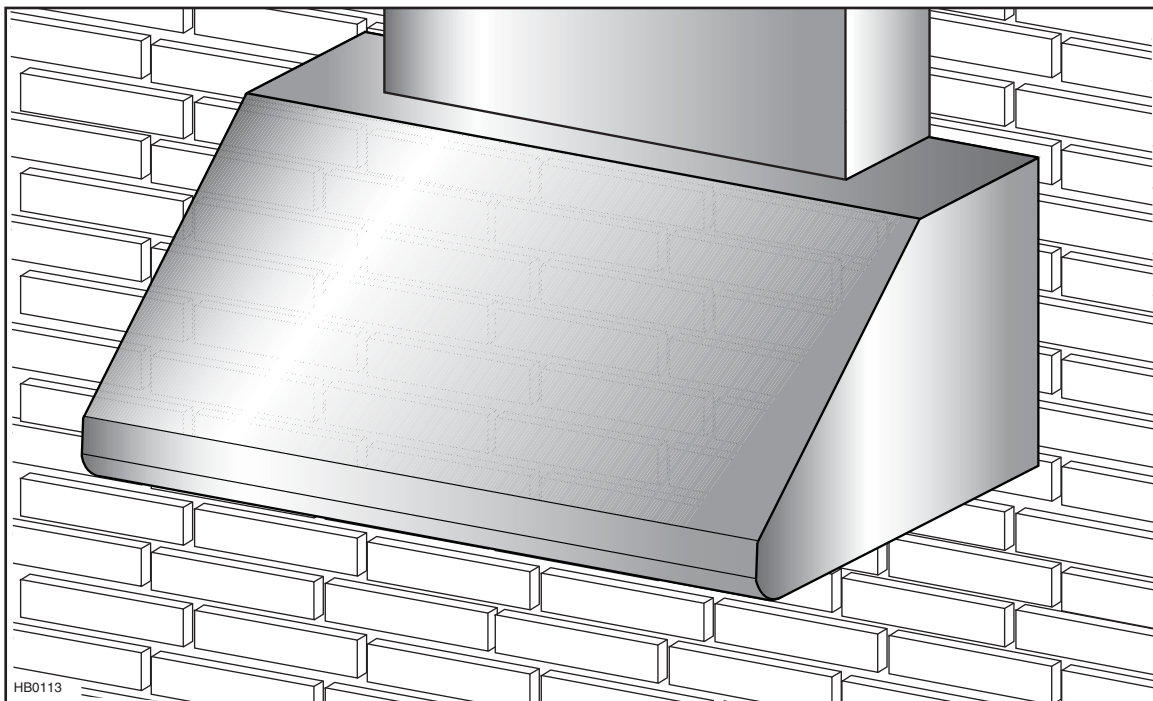
KEY NO.	PART NO.	DESCRIPTION	QTY. (RANGE HOOD WIDTH)		
			36"	48"	60"
1	SV60887	LIGHT SOCKET HOLDER ASSEMBLY	2	3	3
2	SV05921	SHIELDED HALOGEN BULB (120 V, 50 W, GU10 BASE)	2	3	3
3	SV03435	HEAT SENTRY™ THERMOSTAT	1	1	1
4	SV08549	FAN KNOB	1	1	1
5	SV03501	SPEED CONTROL	1	1	1
6	SV13924	MALE CONNECTOR	1	1	1
7	SV13923	FEMALE CONNECTOR	1	1	1
8	SV60879	GREASE TRAY	1	1	1
9	SV60675	BAFFLE FILTER 11.84" x 15.125" (HANDLE INCLUDED)	2	2	2
	SV60716	BAFFLE FILTER 8.84" x 15.125" (HANDLE INCLUDED)	2	2	2
10	SV08337	FILTER SPRING	4	4	4
*	SV02563	LIGHT ROCKER SWITCH	1	1	1
*	SV03503	BLOWER ROCKER SWITCH	1	1	1
*	SV05869	BEST LOGO	1	1	1
*	SV20611	INSTALLATION GUIDE	1	1	1
*	SV04216	PARTS BAG: 3 WATERPROOF WIRE CONNECTORS, 2 NO. 8 x 5/8" SCREWS, 6 NO. 10 x 2" HEX HEAD SCREWS, 4 NO. 10 x 2" FLAT HEAD SCREWS, 2 WALL ANCHORS, 6 WASHERS 3/16" ID x 3/4" OD, 4 STAINLESS STEEL 10-32 LOCKNUTS, 2 WIRE CLAMPS LP16-AP, 2 NO. 8 x 3/8" ZINC-PLATED SCREWS, 8 NO. 8 x 3/8" STAINLESS STEEL SCREWS	1	1	1

* NOT SHOWN.

REPLACEMENT PARTS AND REPAIRS

In order to ensure your unit remains in good working condition, you must use Broan-NuTone genuine replacement parts only. Broan-NuTone genuine replacement parts are specially designed for each unit and are manufactured to comply with all the applicable certification standards and maintain a high standard of safety. Any third party replacement part used may cause serious damage and drastically reduce the performance level of your unit, which will result in premature failing. Broan-NuTone recommends to contact a certified service depot for all replacement parts and repairs.

best®



SÉRIE WPD39M

⚠ CONÇUE POUR USAGE DOMESTIQUE SEULEMENT ⚠

LIRE ET CONSERVER CES DIRECTIVES

INSTALLATEUR : LAISSER CE GUIDE AU PROPRIÉTAIRE.
PROPRIÉTAIRE : DIRECTIVES D'UTILISATION ET D'ENTRETIEN
EN PAGES 21 ET 22.

BEST; Hartford, Wisconsin www.BestRangeHoods.com 800 558-1711
BEST; Drummondville, QC, Canada www.BestRangeHoods.com 866 737-7770

Pour enregistrer votre produit en ligne ou pour obtenir plus d'information, consultez notre site www.BestRangeHoods.com

⚠ AVERTISSEMENT

AFIN DE RÉDUIRE LES RISQUES D'INCENDIE, D'ÉLECTROCUTION OU DE BLESSURES CORPORELLES, SUIVEZ LES DIRECTIVES SUIVANTES :

1. N'utilisez cet appareil que de la façon prévue par le fabricant. Si vous avez des questions, contactez le fabricant à l'adresse ou au numéro de téléphone indiqués dans la garantie.
2. Avant de réparer ou de nettoyer l'appareil, couper l'alimentation électrique en verrouillant le panneau de distribution afin d'éviter sa remise en marche accidentelle. Si le panneau de distribution ne peut être verrouillé, y fixer un avertissement en évidence, telle qu'une étiquette de couleur vive.
3. Les travaux d'installation et de raccordement électrique doivent être effectués par une personne qualifiée, conformément aux codes et aux standards de construction, incluant ceux concernant la protection contre les incendies.
4. Une quantité d'air adéquate est requise afin d'assurer une bonne combustion et l'évacuation des gaz par la cheminée dans le cas des équipements alimentés au gaz afin de prévenir les retours de cheminée. Conformez-vous aux instructions et aux standards de sécurité des fabricants d'équipement de chauffage, tel qu'ils sont publiés par la National Fire Protection Association (NFPA) et l'American Society for Heating, Refrigeration and Air Conditioning Engineers (ASHRAE) ainsi que les responsables des codes locaux.
5. Veillez à ne pas endommager le câblage électrique ou d'autres équipements non apparents lors de la découpe ou du perçage du mur ou du plafond.
6. Les ventilateurs avec conduits doivent toujours évacuer l'air à l'extérieur.
7. Ne pas utiliser cet appareil avec une commande de vitesse à semiconducteur additionnelle.
8. Afin de réduire les risques d'incendie, n'utilisez que des conduits de métal.
9. Cet appareil doit être mis à la terre et protégé par un DDFT (disjoncteur de fuite à la terre).
10. Convient à une utilisation dans des lieux humides seulement lorsqu'elle est raccordée à un DISJONCTEUR DE FUITE À LA TERRE (DDFT).
11. Cet appareil n'est pas conçu pour être utilisé avec un barbecue au charbon de bois.
12. Lorsqu'une réglementation est en vigueur et qu'elle comporte des exigences d'installation et/ou de certification plus restrictives, lesdites exigences prévalent sur celles de ce document et l'installateur entend s'y conformer à ses frais.

AFIN DE RÉDUIRE LES RISQUES DE FEU DE CUISINIÈRE :

- a) Ne jamais laisser les appareils de cuisson sans surveillance lorsqu'ils sont réglés à feu vif. Les débordements engendrent de la fumée et des déversements graisseux pouvant s'enflammer. Chauffez l'huile lentement, à feu doux ou moyen.
- b) Mettez toujours la hotte en marche lorsque vous cuisinez à feu vif ou que vous cuisinez des mets flambés (par ex. : crêpes Suzette, cerises jubilé, steaks au poivre flambés).
- c) Nettoyez régulièrement la (les) roue(s) du ventilateur. Ne laissez pas la graisse s'accumuler sur le ventilateur, les filtres ou les conduits d'évacuation.
- d) Utilisez le bon format de casserole. Servez-vous toujours de casseroles et d'ustensiles appropriés à la dimension de la surface chauffante.

⚠ AVERTISSEMENT

AFIN D'ÉVITER TOUT RISQUE DE BLESSURES LORS D'UN FEU DE CUISINIÈRE, SUIVEZ CES DIRECTIVES* :

1. Éteignez les flammes avec un couvercle hermétique, une tôle à biscuits ou un plateau métallique et ensuite, éteindre le brûleur. **PRENEZ SOIN D'ÉVITER les brûlures. SI LES FLAMMES NE S'ÉTEIGNENT PAS IMMÉDIATEMENT, ÉVACUEZ LES LIEUX ET APPELEZ LES POMPIERS.**
2. **NE PRENEZ JAMAIS UNE CASSEROLE EN FLAMMES DANS VOS MAINS.** Vous pourriez vous brûler.
3. **N'UTILISEZ PAS D'EAU**, incluant un linge à vaisselle ou une serviette mouillée, cela pourrait occasionner une violente explosion de vapeur.
4. N'utilisez un extincteur **QUE DANS LE CAS OÙ :**
 - A. Vous savez qu'il s'agit d'un extincteur de classe ABC et que vous en connaissez le fonctionnement.
 - B. L'incendie est petit et limité à l'endroit où il a débuté.
 - C. Les pompiers ont été avisés.
 - D. Vous pouvez combattre l'incendie en ayant accès à une sortie de secours.

*Tirées du Kitchen Fire Safety Tips publié par la NFPA.

ATTENTION

1. Pour usage domestique seulement. Ne pas utiliser pour évacuer des vapeurs ou des matières dangereuses ou explosives.
2. Afin d'éviter tout dommage au moteur et de débalancer ou de rendre bruyante la roue du moteur, garder votre appareil à l'abri des poussières de gypse et de construction/rénovation, etc.
3. Le moteur de votre hotte possède une protection thermique qui éteindra automatiquement le moteur s'il devient surchauffé. Le moteur redémarrera automatiquement une fois refroidi. Si le moteur continue à arrêter et à redémarrer, faites-le vérifier.
4. Pour une meilleure évacuation des odeurs de cuisson, le bas de votre hotte doit être situé à une distance de 36 po au-dessus de la surface de cuisson.
5. Deux installateurs sont recommandés lors de l'installation vu la grande dimension et le poids de cet appareil.
6. Afin de réduire les risques d'incendie, assurez-vous d'évacuer l'air à l'extérieur. Ne pas évacuer l'air dans des espaces restreints comme l'intérieur des murs ou plafond ou dans le grenier, faux plafond ou garage.
7. Cet appareil est équipé d'un thermostat pouvant faire démarrer le ventilateur automatiquement. Afin de réduire le risque de blessure, couper le courant à partir du panneau électrique et le verrouiller ou apposer un avertissement sur le panneau afin de prévenir que la hotte ne soit mise en marche accidentellement.
8. Veuillez consulter l'autocollant apposé à l'intérieur du produit pour plus d'information ou autres exigences.

TABLE DES MATIÈRES

SYSTÈME DE HOTTE DE CUISINIÈRE SÉRIE WPD39M	16
1. SÉLECTIONNER LE VENTILATEUR, INSTALLER LES CONDUITS ET LE CÂBLAGE ÉLECTRIQUE	17
2. PRÉPARER L'INSTALLATION	18
3. INSTALLER LE DOSSERET (OPTIONNEL)	18
4. INSTALLER LA RALLONGE DE HOTTE (OPTIONNELLE)	18
5. RETIRER LES FILTRES À CHICANE, LE COLLECTEUR DE GRAISSES ET LE PANNEAU INFÉRIEUR	18
6. INSTALLER LA LISIÈRE DE BOIS (SI LA RALLONGE DE HOTTE N'EST PAS UTILISÉE)	19
7. INSTALLER LA HOTTE	19
8. INSTALLER LA PLAQUE VENTILATEUR	20
9. BRANCHEMENT ÉLECTRIQUE	20
10. INSTALLER LE VENTILATEUR	20
11. INSTALLER LA CHEMINÉE DÉCORATIVE (OPTIONNELLE)	21
12. RÉINSTALLER LE PANNEAU INFÉRIEUR, LE COLLECTEUR DE GRAISSES ET LES FILTRES À GRAISSES	21
13. REMPLACEMENT DES AMPOULES	21
14. ENTRETIEN	21-22
15. FONCTIONNEMENT	22
16. SCHÉMAS ÉLECTRIQUES	23
17. PIÈCES DE REMPLACEMENT	24

GARANTIE

GARANTIE LIMITÉE DE UN AN DES PRODUITS BEST

Broan-NuTone LLC (Broan-NuTone) garantit à l'acheteur consommateur initial de ses produits qu'ils sont exempts de tout défaut dans les matières premières ou la main-d'œuvre, pour une période de un an à compter de la date d'achat par le consommateur initial. IL N'Y A PAS D'AUTRES GARANTIES, EXPRIMÉES OU IMPLICITES, INCLUANT, MAIS NON LIMITÉES AUX GARANTIES IMPLICITES POUR FIN DE COMMERCIALISATION ET DE CONVENANCE DANS UN BUT PARTICULIER.

Durant cette période de un an, Broan-NuTone, à sa discrétion, réparera ou remplacera gratuitement tout produit ou pièce qui s'avère défectueux et ayant été utilisé normalement et d'une manière non abusive.

CETTE GARANTIE NE COUVRE PAS LES STARTERS DE TUBES FLUORESCENTS, LES FLUORESCENTS ET LES AMPOULES, LES FUSIBLES, LES FILTRES, LES CONDUITS, LES CAPUCHONS DE MUR, LES CAPUCHONS DE TOIT ET LES AUTRES ACCESSOIRES DE CONDUITS. Cette garantie ne couvre pas (a) l'entretien et le service normal ou (b) tout produit ou pièce endommagé à la suite de mauvais usage, négligence, accident, entretien inapproprié ou réparation (autre que par Broan-NuTone), mauvaise installation ou installation non conforme au mode d'installation recommandé.

La durée de toute garantie implicite est limitée à une période de un an telle qu'elle est spécifiée pour la garantie exprimée. Certains États ou provinces ne permettent pas de limite de temps sur les garanties implicites. Si tel est le cas, veuillez ne pas tenir compte de la dernière limite décrite ci-dessus.

L'ENGAGEMENT DE BROAN-NUTONE DE RÉPARER OU DE REMPLACER, AU CHOIX DE BROAN-NUTONE, SERA LA SEULE OBLIGATION EXCLUSIVE SOUS CETTE GARANTIE. BROAN-NUTONE NE SERA PAS TENUE RESPONSABLE DES DOMMAGES DIRECTS, INDIRECTS OU SPÉCIAUX SURVENANT À CAUSE DE OU EN RAPPORT À L'UTILISATION OU À LA PERFORMANCE DE SES PRODUITS. Certains États ou provinces ne permettent pas l'exclusion ou la limite relative aux dommages directs, indirects ou spéciaux. Si tel est le cas, veuillez ne pas tenir compte de l'exclusion ou de la limite ci-dessus.

Cette garantie vous donne des droits légaux spécifiques et il se peut que vous ayez d'autres droits qui varient d'un État ou d'une province à l'autre. Toute modification effectuée sur ce produit sans l'autorisation de Broan-NuTone annulera cette garantie. Cette garantie annule toutes les autres garanties précédentes.

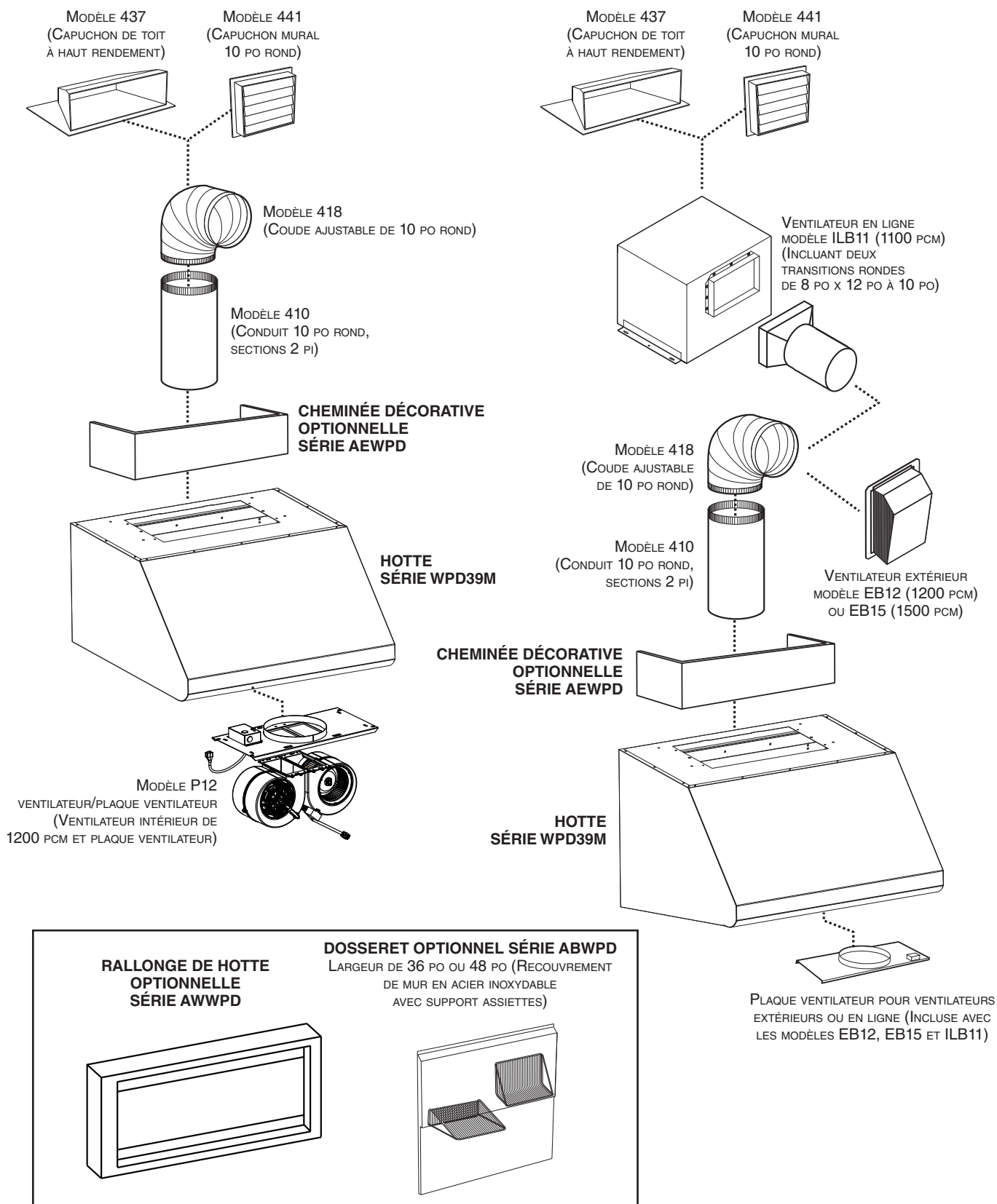
Pour bénéficier du service sous garantie, vous devez (a) aviser Broan-NuTone à l'adresse ou numéro de téléphone mentionné ci-dessous, (b) donner le numéro du modèle et l'identification de la pièce et (c) décrire la nature de tout défaut dans le produit ou la pièce. Au moment de la demande de service sous garantie, vous devez présenter une preuve de la date d'achat initial dudit produit.

Aux États-Unis - Best®, 926 W. State Street, Hartford, WI 53027 (800-558-1711)

Au Canada - Best®, 550 boul. Lemire, Drummondville, QC, Canada, J2C 7W9 (866-737-7770)

www.BestRangeHoods.com

- SYSTÈME DE HOTTE DE CUISINIÈRE SÉRIE WPD39M -



1. SÉLECTIONNER LE VENTILATEUR, INSTALLER LES CONDUITS ET LE CÂBLAGE ÉLECTRIQUE

ATTENTION

Cette hotte est conçue pour être utilisée sur un patio couvert ou une véranda. Comme tous les électroménagers, cet appareil doit être à l'abri des intempéries.

⚠ AVERTISSEMENT

Cette hotte n'est pas conçue pour être utilisée avec un barbecue au charbon de bois.

Cette hotte fonctionne autant avec un ventilateur intérieur, en ligne ou extérieur. La hotte de modèle Best de série WPD39M doit être installée uniquement avec l'un des ventilateurs suivants : P12, ILB11, EB12 ou EB15. Aucun autre ventilateur ne peut être utilisé. (Ventilateurs vendus séparément).

Déterminer à quel endroit et comment les conduits seront installés.

Un conduit droit et court permettra à votre hotte de fonctionner plus efficacement.

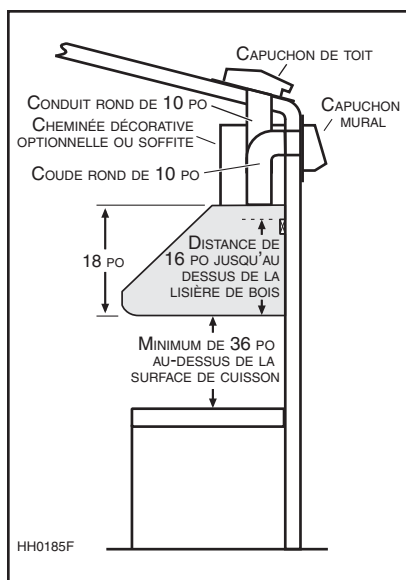
Installer des conduits de dimensions adéquates, des coudes et un capuchon de toit ou de mur. Relier le conduit de métal au capuchon, puis acheminer le conduit jusqu'à l'emplacement de votre hotte. Sceller les joints avec du ruban adhésif de métal de 2 po de largeur.

Acheminer un câble d'alimentation électrique à 3 conducteurs jusqu'à l'emplacement de la hotte.

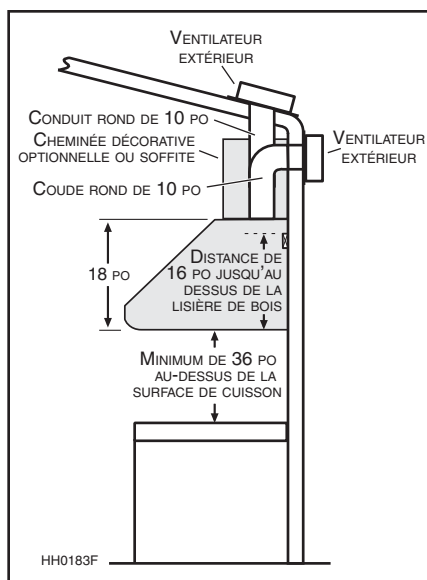
⚠ AVERTISSEMENT

Le fil d'alimentation électrique doit être raccordé à un disjoncteur de fuite à la terre (DDFT).

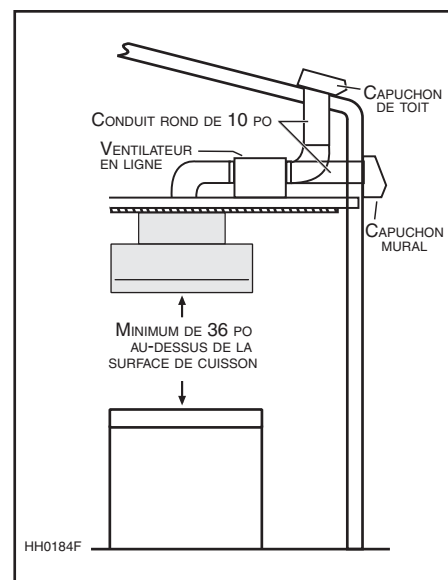
Pour une meilleure évacuation des odeurs de cuisson, le bas de la hotte doit être situé à une distance de 36 po au-dessus de la surface de cuisson.



INSTALLATION TYPIQUE
VENTILATEUR INTÉRIEUR DOUBLE
MODÈLE P12



INSTALLATION TYPIQUE
VENTILATEUR EXTÉRIEUR
MODÈLE EB12 OU EB15



INSTALLATION TYPIQUE
VENTILATEUR EN LIGNE MODÈLE ILB11

2. PRÉPARER L'INSTALLATION

⚠ AVERTISSEMENT

Il est recommandé de porter des lunettes et des gants de sécurité lors de l'installation, de l'entretien et de la réparation de cet appareil.

NOTE : Avant de commencer l'installation, vérifier le contenu de la boîte. Si des pièces sont manquantes ou endommagées, contacter le fabricant.

S'assurer que les articles suivants soient inclus :

- Hotte
- Lisière de bois (vissée à l'arrière de la hotte)
- Guide d'installation
- Accessoires :
 - 4 filtres à chicane avec poignées
 - Collecteur de graisses avec poignée
 - Ampoules halogènes avec écran (120 V, 50 W max., MR16 à culot GU10) (2 pour le modèle de 36 po de largeur, 3 pour les modèles de 48 po et 60 po de largeur)
 - Sac de pièces : 3 capuchons de connexion étanches, 2 vis n° 8 x 5/8 po, 6 vis à tête hexagonale n° 10 x 2 po, 4 vis à tête fraisée n° 10 x 2 po, 2 douilles à expansion, 6 rondelles de 3/16 po DI x 3/4 po DE, 4 contre-écrous 10-32 en acier inoxydable
Inclus dans le sac de pièces, mais à ne pas utiliser (svp jeter) :
2 serre-fils LP16-AP, 2 vis n° 8 x 3/8 po plaquées zinc, 8 vis en acier inoxydable n° 8 x 3/8 po

Pièces vendues séparément :

- Ventilateur intérieur/plaque ventilateur modèle P12
 - Ventilateur en ligne/plaque ventilateur modèle ILB11
 - Ventilateur extérieur/plaque ventilateur modèle EB12 ou EB15
 - Dossieret de série ABWPD, 36 po ou 48 po de largeur (optionnel)
 - Cheminée décorative de série AEWPD, à être installée au-dessus de la hotte (optionnelle)
 - Rallonge de hotte de série AWWPD, 36 po, 48 po ou 60 po de largeur (optionnelle)
 - Transitions, conduits, coudes, volets, capuchons de mur ou de toit
- Consulter la page 16 pour la liste complète des accessoires de ventilation et les numéros de modèle.

NOTE : Lors de l'installation, protéger le plan de cuisson et le comptoir de cuisine.

3. INSTALLER LE DOSSERET (OPTIONNEL)

Série ABWPD (seulement pour les modèles de 36 po et 48 po de largeur)

Le dossieret doit être installé avant la hotte, puisque celle-ci couvre les vis d'installation du dossieret (voir les directives fournies avec le dossieret).

4. INSTALLER LA RALLONGE DE HOTTE (OPTIONNELLE)

Série AWWPD

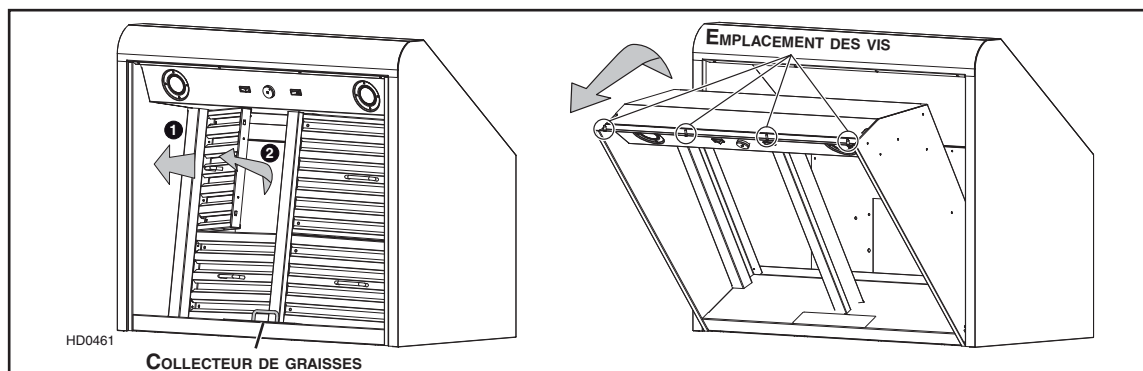
La rallonge de hotte doit être installée avant la hotte (voir les directives fournies avec la rallonge).

5. RETIRER LES FILTRES À CHICANE, LE COLLECTEUR DE GRAISSES ET LE PANNEAU INFÉRIEUR

Retirer le ruban adhésif des filtres. Retirer les filtres de la hotte (tel qu'il est illustré ci-dessous) et les mettre de côté.

Retirer le ruban adhésif du collecteur de graisses. Soulever et tirer le collecteur afin de le retirer puis, le mettre de côté.

Retirer les vis de retenue du panneau inférieur (4, 5 ou 6 selon la largeur de la hotte) et les mettre de côté. Incliner le panneau vers l'avant.



6. INSTALLER LA LISIÈRE DE BOIS (SI LA RALLONGE DE HOTTE N'EST PAS UTILISÉE)

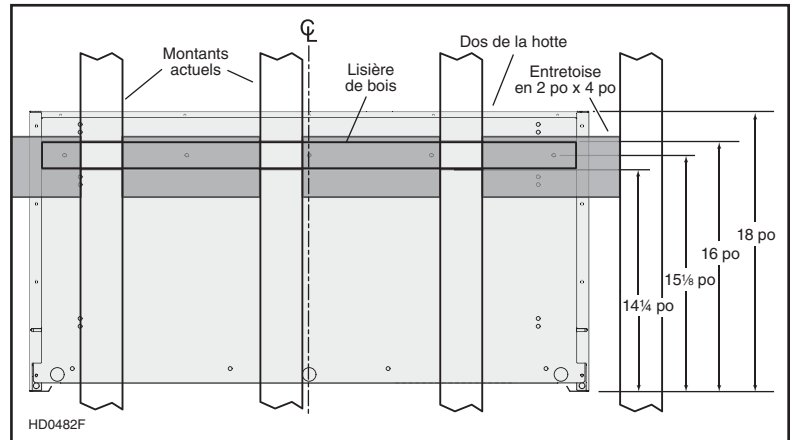
ATTENTION

En raison du poids élevé de cette hotte, s'assurer que la lisière de bois soit bien rattachée à tous les montants et entretoises disponibles; ne pas visser la lisière de bois seulement au mur.

NOTE : Si la hotte est installée avec la rallonge optionnelle, se référer aux instructions incluses avec la rallonge pour l'emplacement de la lisière de bois.

1. Une structure de soutien appropriée est nécessaire afin de supporter adéquatement le poids de la hotte. Construire la charpente du mur à l'aide de montants en 2 po x 4 po minimum.

2. Marquer l'emplacement du centre de la hotte.
3. Mesurer et tracer une ligne droite au-dessus de la surface de cuisson pour l'emplacement de la lisière de bois. Installer des entretoises en 2 po x 4 po entre les montants où la lisière de bois sera installée. Voir l'illustration ci-contre.
4. Retirer la lisière de bois de l'arrière de la hotte.
5. Placer la lisière de bois au mur et la fixer aux montants et aux entretoises à l'aide de 4 vis n° 10 x 2 po à tête fraisée (incluses dans le sac de pièces).



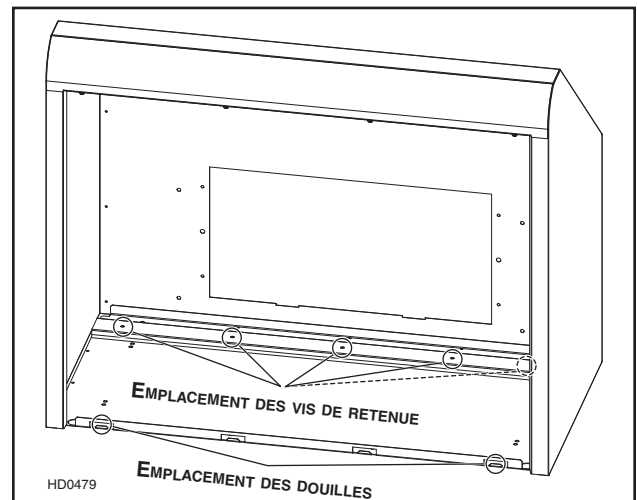
7 INSTALLER LA HOTTE

⚠ AVERTISSEMENT

Retenir la hotte jusqu'à ce qu'elle soit complètement vissée à la lisière de bois.

En appuyant la hotte au mur, insérer la lisière de bois dans la cavité arrière de la hotte.

Fixer la hotte à la lisière de bois à l'aide de 5 vis n° 10 x 2 po à tête hexagonale aux endroits indiqués ci-contre. En se servant des trous existants dans la hotte, percer le mur, aux endroits indiqués, de 2 trous de 3/16 po et y insérer les douilles à expansion. Puis, fixer la hotte au mur avec les vis n° 8 x 5/8 po restantes et les 2 rondelles fournies.



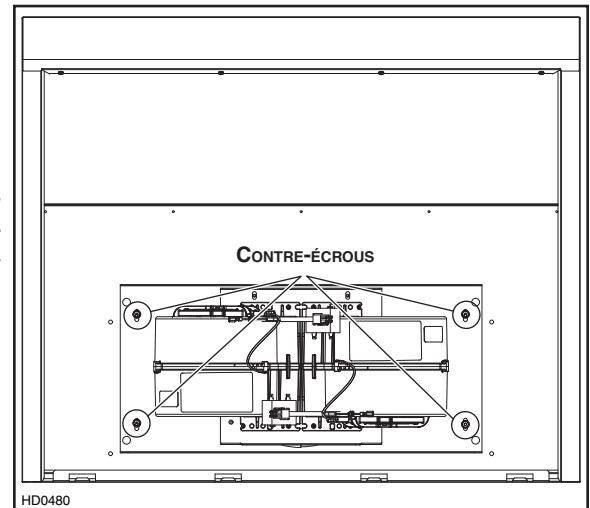
8. INSTALLER LA PLAQUE VENTILATEUR

ATTENTION

Installer la plaque ventilateur à l'aide des 4 contre-écrous 10-32 et des rondelles inclus dans le sac de pièces de la hotte. Jeter les écrous fournis avec la plaque ventilateur.

Pour les détails concernant l'installation de la plaque ventilateur, voir les instructions comprises avec l'ensemble ventilateur et plaque ventilateur (vendu séparément). Installer la plaque ventilateur de façon à ce que son boîtier électrique se trouve à droite lorsque vous faites face à la hotte.

Attacher le conduit rond de 10 po à la plaque ventilateur.



9. BRANCHEMENT ÉLECTRIQUE

⚠ AVERTISSEMENT

Risque d'électrocution. Le raccordement électrique doit être effectué par du personnel qualifié conformément aux codes et aux standards. Avant d'effectuer le branchement, coupez l'alimentation électrique au panneau de distribution et verrouillez-le pour éviter une mise en marche accidentelle.

Retirer le couvercle du boîtier électrique de la plaque ventilateur et le mettre de côté.

Connecter le fil NOIR au NOIR, le fil BLANC au BLANC et le fil VERT ou dénudé à la vis VERTE de mise à la terre.

Remettre en place le couvercle du boîtier électrique.

DIRECTIVES POUR L'UTILISATION DES CAPUCHONS DE CONNEXION ÉTANCHES :

1. Dégainer les fils d'une longueur de 3/8 po.
2. Égaliser les brins ou les conducteurs.
3. Ne pas les tordre. Rapprocher les fils et mettre leurs bouts égaux, sauf pour les fils à brins plus petits, lesquels doivent dépasser légèrement des fils plus gros.
4. Insérer les fils dans le capuchon de connexion en poussant légèrement et tordre. NE PAS trop tordre.
5. Un peu de scellant pourrait s'échapper lors de l'insertion des fils dans le capuchon de connexion. Essuyer l'excès de scellant autour des conducteurs. NE PAS RÉUTILISER.

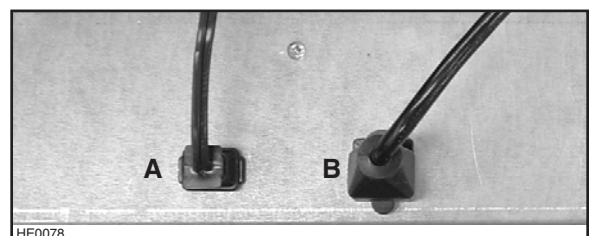
10. INSTALLER LE VENTILATEUR

Pour installer le ventilateur, voir les instructions comprises avec celui-ci.

Une fois installé, brancher le fil du ventilateur à la prise à 2 alvéoles (A) et le fil d'alimentation électrique de la hotte (B) à la fiche à 3 broches, à l'intérieur de la hotte.

⚠ AVERTISSEMENT

Ne jamais brancher ensemble le fil du ventilateur au fil d'alimentation de la hotte.



11. INSTALLER LA CHEMINÉE DÉCORATIVE (OPTIONNELLE)

Série AEWPD

Voir les directives fournies avec la cheminée décorative optionnelle.

12. RÉINSTALLER LE PANNEAU INFÉRIEUR, LE COLLECTEUR DE GRAISSES ET LES FILTRES À GRAISSES

ATTENTION

Avant d'installer les filtres à chicane, retirer la pellicule de plastique protectrice de ceux-ci.

1. Repousser le panneau inférieur dans la hotte et le fixer à la hotte à l'aide des vis précédemment retirée à l'étape 5.
2. Réinstaller le collecteur de graisses.
3. Insérer une extrémité du filtre dans le rail de côté de la hotte. Soulever l'autre extrémité vers le centre de la hotte et l'insérer dans la gouttière.

13. REMPLACEMENT DES AMPOULES

L'éclairage de cette hotte est produit par des ampoules halogènes avec écran de 120 V, 50 W, MR16 à culot GU10 (incluses). (2 pour le modèle de 36 po, 3 pour les modèles de 48 po et 60 po.)

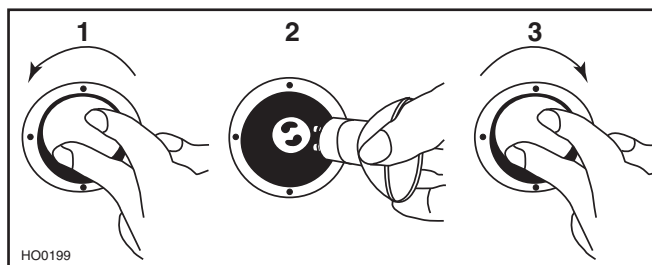
⚠ AVERTISSEMENT

Ne pas toucher aux lampes durant ou peu après leur utilisation. Peuvent causer des brûlures. Afin de réduire le risque de blessures corporelles, n'installer que des ampoules halogènes avec écran. Aussi, ne jamais installer une ampoule à faisceau froid, dichroïque, non conçue pour des luminaires encastrés ou conçue uniquement pour des luminaires fermés.

1. Pour retirer les ampoules, pousser doucement vers le haut et tourner dans le sens contraire des aiguilles d'une montre pour désengager les conducteurs hors de leur rainure.

NOTE : Pour obtenir une meilleure prise de l'ampoule lors de son retrait, utiliser un gant à vaisselle ou la ventouse de Best. Contacter le Service à la clientèle de Best au 1 800 558-1711 pour commander la ventouse, numéro de pièce 99526707.

2. Installer les nouvelles ampoules en glissant leurs conducteurs dans les rainures, à l'intérieur des douilles.
3. Pousser doucement vers le haut et tourner dans le sens des aiguilles d'une montre jusqu'à ce que les ampoules soient bien en place.



14. ENTRETIEN

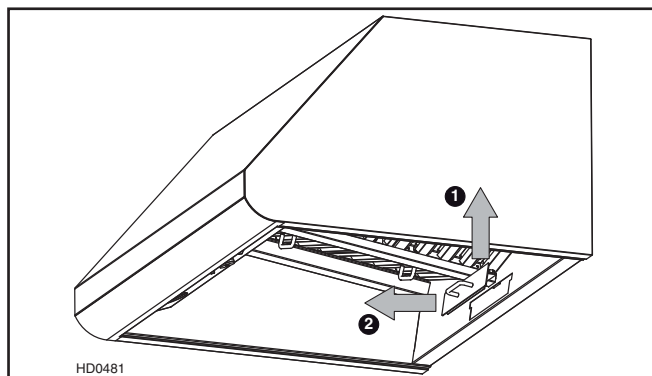
Filtres à chicane

Les filtres à chicane doivent être nettoyés fréquemment. Utiliser une solution d'eau chaude et de détergent. Les filtres à chicane doivent être lavés plus souvent si vos habitudes de cuisson génèrent plus de graisse, par exemple de la friture ou des aliments sautés au wok. Retirer les filtres en les poussant vers le côté de la hotte et en les retournant vers le bas.

Les filtres à chicane sont lavables au lave-vaisselle. Nettoyer les filtres fabriqués entièrement de métal au lave-vaisselle à l'aide d'un détergent sans phosphate. L'utilisation d'un détergent avec phosphates ainsi que les conditions locales de l'eau peuvent entraîner une décoloration des filtres, sans toutefois affecter leur performance. Cette décoloration n'est pas couverte par la garantie. Laisser les filtres sécher complètement avant de les réinstaller dans la hotte.

Collecteur de graisses

Le collecteur de graisses devrait être vidé et nettoyé fréquemment. Le retirer de la hotte (tel qu'il est illustré ci-contre) et utiliser une solution d'eau chaude et de détergent. Le nettoyer plus souvent si vos habitudes de cuisson génèrent plus de graisse, par exemple de la friture ou des aliments sautés au wok. Laisser le collecteur de graisses sécher complètement avant de le réinstaller dans la hotte.



14. ENTRETIEN (SUITE)

Gouttière

La gouttière doit être nettoyée fréquemment. Utiliser une solution d'eau chaude et de détergent. Laver la gouttière plus souvent si vos habitudes de cuisson génèrent plus de graisse, par exemple de la friture ou des aliments sautés au wok.

Nettoyage du (des) ventilateur(s)

Accéder au(x) ventilateur(s). Passer l'aspirateur pour nettoyer, ne pas immerger dans l'eau.

Nettoyage de la hotte

Acier inoxydable :

À faire :	À ne pas faire :
<ul style="list-style-type: none">Laver régulièrement les surfaces à l'aide d'un chiffon ou linge propre imbibé d'eau tiède et de savon doux ou de détergent liquide à vaisselle.Toujours nettoyer dans le sens du polissage.Toujours bien rincer avec de l'eau claire (2 à 3 fois) et essuyer complètement.Un nettoyant domestique conçu spécialement pour l'acier inoxydable peut aussi être utilisé.	<ul style="list-style-type: none">Ne pas utiliser de laine d'acier ou d'acier inoxydable ou tout autre grattoir pour enlever la saleté tenace.Ne pas utiliser une poudre nettoyante abrasive ou rugueuse.Ne pas laisser la saleté s'accumuler.Ne pas laisser la poussière de plâtre ou tout autre résidu de construction atteindre la hotte. Couvrir la hotte pour la durée des travaux afin de s'assurer qu'aucune poussière n'atteigne la hotte.

À éviter lors du choix d'un détergent :

- Tous produits nettoyants contenant des **agents de blanchiment**; ils attaqueront l'acier inoxydable.
- Tous produits contenant du **chlorure**, du **fluorure**, de l'**iode** ou du **bromure**; ils détérioreront rapidement les surfaces.
- Tous produits combustibles utilisés pour le nettoyage : **acétone**, **alcool**, **éther**, **benzène**, etc.; ils sont grandement explosifs et ne devraient jamais être utilisés près d'une cuisinière.

15. FONCTIONNEMENT

VENTILATEUR

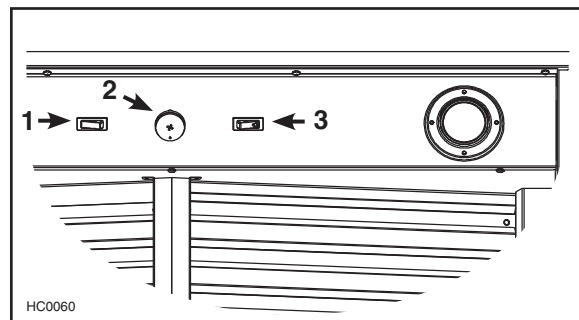
Le ventilateur fonctionne à l'aide de 2 commandes.

Utiliser l'interrupteur à bascule MARCHE/ARRÊT (1) pour activer et arrêter le ventilateur. Lorsque l'interrupteur est à la position marche, sa lumière rouge s'allume et le ventilateur fonctionne à la vitesse réglée par le bouton de la commande de vitesse (2).

Tourner le bouton de la commande de vitesse dans le sens des aiguilles d'une montre pour augmenter la vitesse du ventilateur, et dans le sens contraire des aiguilles d'une montre pour ralentir sa vitesse.

ÉCLAIRAGE DE LA SURFACE DE CUISSON (HALOGÈNE)

Utiliser l'interrupteur à bascule MARCHE/ARRÊT (3) pour allumer et éteindre les lumières.



- 1) Interrupteur MARCHE/ARRÊT du ventilateur
- 2) Bouton de la commande de vitesse du ventilateur
- 3) Interrupteur d'éclairage halogène

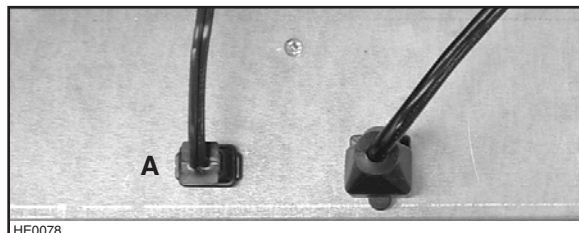
HEAT SENTRY^{MC}

Cette hotte est équipée d'un thermostat Heat Sentry^{MC}. Ce thermostat est un dispositif qui mettra en marche le ventilateur s'il détecte de la chaleur excessive au-dessus de la surface de cuisson.

- 1) Si le ventilateur n'est pas en marche, il actionnera le ventilateur en haute vitesse.
- 2) Si le ventilateur est déjà en marche, il réglera le ventilateur en haute vitesse.

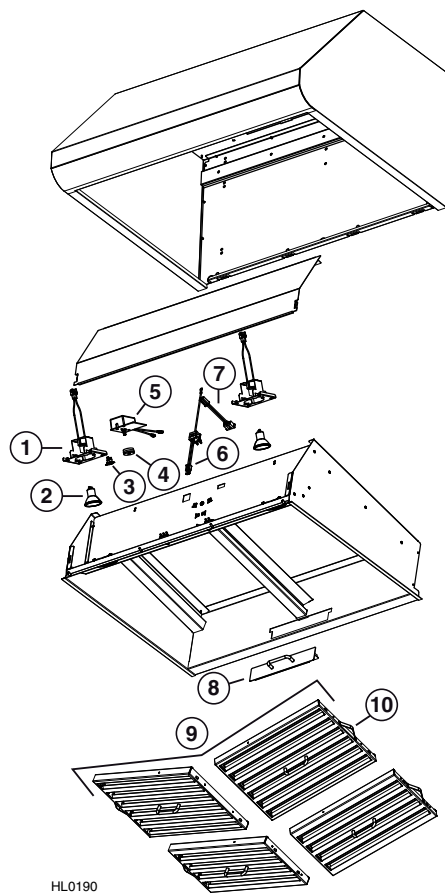
⚠ AVERTISSEMENT

Lors d'un feu de cuisson ou d'une chaleur excessive, le HEAT SENTRY peut activer le ventilateur même s'il est arrêté. Si tel est le cas, il est impossible d'arrêter le ventilateur avec l'interrupteur de la commande. Pour arrêter le ventilateur, débrancher son fil de la prise (A).



Lorsque la température revient à la normale, le ventilateur retourne à sa vitesse d'origine.

17. PIÈCES DE REMPLACEMENT



HL0190

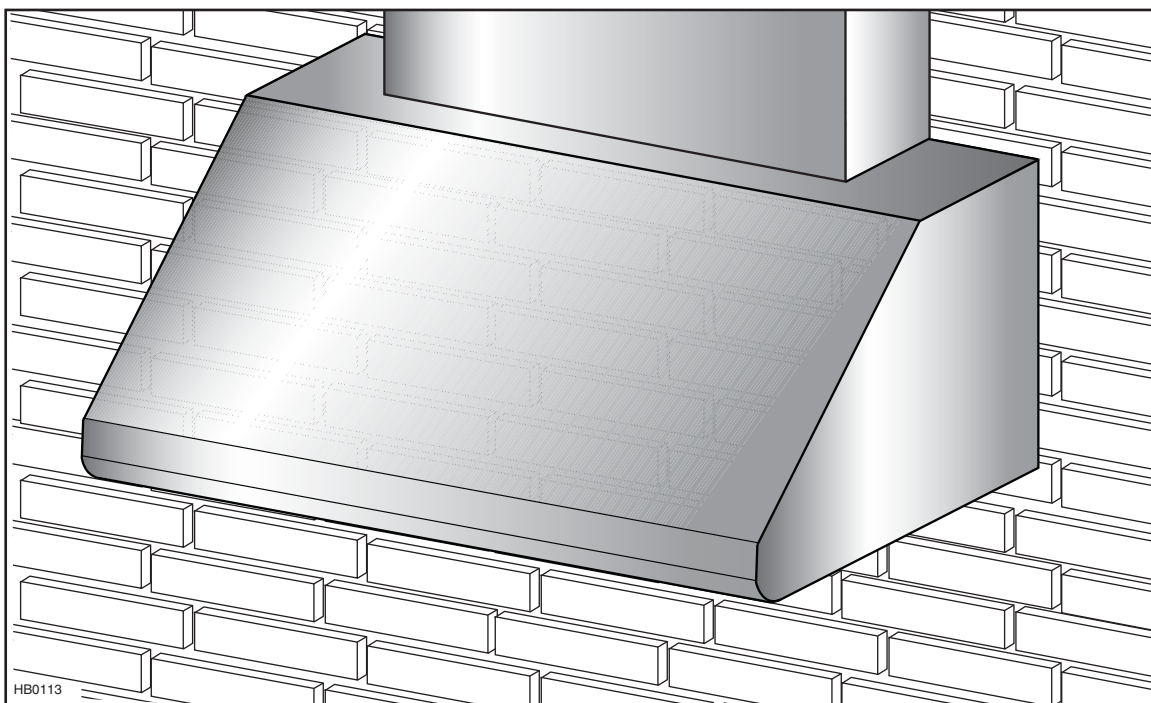
N°	PIÈCE N°	DESCRIPTION	QTÉ (LARGEUR DE HOTTE)		
			36 PO	48 PO	60 PO
1	SV60887	ASSEMBLAGE DE DOUILLE D'AMPOULE	2	3	3
2	SV05921	AMPOULE HALOGÈNE AVEC ÉCRAN (120 V, 50 W, À CULOT GU10)	2	3	3
3	SV03435	THERMOSTAT HEAT SENTRY ^{MC}	1	1	1
4	SV08549	BOUTON DU VENTILATEUR	1	1	1
5	SV03501	COMMANDE DE VITESSE	1	1	1
6	SV13924	PRISE	1	1	1
7	SV13923	FICHE	1	1	1
8	SV60879	COLLECTEUR DE GRAISSES	1	1	1
9	SV60675	FILTRE À CHICANE 11,84 PO X 15,125 PO (POIGNÉE INCLUSE)	2	2	2
	SV60716	FILTRE À CHICANE 8,84 PO X 15,125 PO (POIGNÉE INCLUSE)	2	2	2
10	SV08337	RESSORT POUR FILTRE	4	4	4
*	SV02563	INTERRUPTEUR À BASCULE DE L'ÉCLAIRAGE	1	1	1
*	SV03503	INTERRUPTEUR À BASCULE DU VENTILATEUR	1	1	1
*	SV05869	LOGO BEST	1	1	1
*	SV20611	GUIDE D'INSTALLATION	1	1	1
*	SV04216	SAC DE PIÈCES : 3 CAPUCHONS DE CONNEXION ÉTANCHES, 2 VIS N° 8 X 5/8 PO, 6 VIS À TÊTE HEXAGONALE N° 10 X 2 PO, 4 VIS À TÊTE FRAISÉE N° 10 X 2 PO, 2 DOUILLES À EXPANSION, 6 RONDELLES DE 3/16 PO DI X 3/4 PO DE, 4 CONTRE-ÉCROUS 10-32 EN ACIER INOXYDABLE, 2 SERRE-FILS LP16-AP, 2 VIS N° 8 X 3/8 PO PLAQUÉES ZINC, 8 VIS EN ACIER INOXYDABLE N° 8 X 3/8 PO	1	1	1

* NON ILLUSTRÉ.

PIÈCES DE REMPLACEMENT ET SERVICE

Pour assurer le bon fonctionnement de votre appareil, vous devez toujours utiliser des pièces d'origine provenant de Broan-NuTone. Les pièces d'origine de Broan-NuTone sont spécialement conçues pour satisfaire toutes les normes de certification de sécurité applicables. Leur remplacement par des pièces ne provenant pas de Broan-NuTone pourrait ne pas assurer la sécurité de l'appareil, entraîner une réduction sévère des performances ainsi qu'un risque de défaillance prématurée. Broan-NuTone recommande également de toujours vous référer à une entreprise de services compétente et reconnue par Broan-NuTone pour vos pièces de remplacement et appels de service.

best®



SERIE WPD39M

⚠ CONCEBIDO SÓLO PARA USO DOMÉSTICO ⚠

LEER Y CONSERVAR ESTAS INSTRUCCIONES

INSTALADOR: DEJAR ESTE MANUAL AL PROPIETARIO.
PROPIETARIO: INSTRUCCIONES DE UTILIZACIÓN Y MANTENIMIENTO
EN LAS PÁGINAS 33 Y 34.

BEST; Hartford, Wisconsin www.BestRangeHoods.com 800-558-1711
BEST; Drummondville, QC, Canada www.BestRangeHoods.com 866-737-7770

Para registrar su producto en línea o para obtener más información, visitar nuestro sitio www.BestRangeHoods.com

⚠️ ADVERTENCIA

PARA REDUCIR EL RIESGO DE INCENDIO, DESCARGA ELÉCTRICA O LESIÓN CORPORAL, RESPETE LAS SIGUIENTES INDICACIONES:

1. Utilice esta unidad únicamente de la forma en que indica el fabricante. Si tiene cualquier pregunta, póngase en contacto con el fabricante en la dirección o el teléfono que aparecen en la garantía.
2. Antes de reparar o limpiar el aparato, apáguelo en el tablero de servicio y bloquee los medios de desconexión para impedir que la corriente se conecte accidentalmente. Cuando no se pueda bloquear los medios de desconexión, coloque un dispositivo de advertencia visible (como una etiqueta) en el tablero de servicio.
3. La instalación y la conexión eléctrica deben ser realizadas por personal calificado de acuerdo con todos los códigos y normas aplicables, incluso los relativos a la construcción ignífuga.
4. Para lograr una combustión adecuada y una extracción correcta de los gases a través de la salida del humo (chimenea) del equipo quemador de combustible — evitando así el contratiempo — es necesario disponer de aire suficiente. Siga las directrices del fabricante del equipo de material térmico y las normas de seguridad, como las que publica la NFPA (asociación de protección contra los incendios) y la ASHRAE (sociedad estadounidense de técnicos de calefacción, refrigeración y aire acondicionado) así como los códigos de los organismos responsables locales.
5. Al cortar o perforar la pared o el techo, procure no dañar el cableado eléctrico ni otras instalaciones de servicios públicos.
6. Los ventiladores entubados siempre deben tener salida al exterior.
7. No utilice este aparato con un dispositivo de control de velocidad con semiconductores.
8. Para reducir el riesgo de incendio, utilice sólo tuberías metálicas.
9. Este aparato debe conectarse a tierra y ha de estar protegido con un disyuntor.
10. Adecuado para lugares húmedos cuando se instala en un circuito de derivación PROTEGIDO CON UN DISYUNTOR.
11. Este aparato no está pensado para utilizarse con una parrilla de carbón.
12. Cuando una reglamentación local esta en vigor y conlleva exigencias de instalación y/o de certificación más estrictas, susodichas exigencias prevalecen sobre aquellas en este documento y el instalador acepta someterse a estas exigencias a sus gastos.

PARA REDUCIR EL RIESGO DE QUE ARDA LA GRASA EN LA PARTE SUPERIOR DE LA COCINA:

- a) No deje nunca recipientes de cocina a fuego vivo sin vigilancia. Los desbordamientos producen humo y derrames grasientos que pueden inflamarse. Caliente el aceite despacio, a fuego lento o mediano.
- b) Ponga en marcha siempre la campana extractora al cocinar a temperaturas elevadas o al cocinar alimentos flameados (crepas Suzette, cerezas jubilee, res con pimienta flambeada).
- c) Limpie los ventiladores con frecuencia. No deje que la grasa se acumule en el ventilador, ni en los filtros o en los conductos de evacuación.
- d) Utilice cacerolas de tamaño apropiado. Emplee siempre un recipiente adecuado para el tamaño de la placa.

⚠️ ADVERTENCIA

PARA REDUCIR EL RIESGO DE LESIONES CORPORALES EN EL CASO DE QUE ARDA LA GRASA EN LA PARTE SUPERIOR DE LA COCINA, SIGA ESTAS INDICACIONES*:

1. SOFOQUE LAS LLAMAS con una tapa ajustada, una hoja o bandeja metálica para hornear galletas, y apague luego el quemador. TENGA CUIDADO PARA EVITAR QUEMADURAS. SI LAS LLAMAS NO SE APAGAN INMEDIATAMENTE, EVACUE EL LUGAR Y LLAME A LOS BOMBEROS.
2. NO SUJETE NUNCA UNA SARTÉN EN LLAMAS ya que podría quemarse.
3. NO USE AGUA, ni trapos húmedos. Podría causar una violenta explosión de vapor.
4. Utilice un extintor SOLAMENTE si:
 - A. Tiene un extintor de tipo ABC y sabe usarlo.
 - B. El incendio es pequeño y está circunscrito a la zona donde empezó.
 - C. Ya ha llamado a los bomberos.
 - D. Puede tratar de apagar el fuego si dispone siempre de una salida detrás de usted.

* Fuente: "Kitchen Fire Safety Tips" publicado por la NFPA.

PRECAUCIÓN

1. Sólo para ventilación general. No debe utilizarse para extraer materiales o vapores peligrosos o explosivos.
2. Para evitar daños en el cojinete del motor y que la hélice haga ruido o se desequilibre, mantenga la unidad de alimentación lejos de los vaporizadores de pirca, del polvo de la construcción, etc.
3. El motor de la campana tiene un dispositivo contra sobrecargas térmicas que apaga el motor automáticamente si éste se sobrecalienta. El motor volverá a ponerse en marcha cuando se enfríe. Si el motor sigue apagándose, haga examinar la campana.
4. Para que la campana capte bien las impurezas que se desprenden al cocinar, la distancia mínima entre la campana y la superficie de la cocina no debe ser inferior a 36 pulgadas.
5. Dado el peso y el tamaño de esta unidad, se aconseja que la instalen dos personas.
6. Para reducir los riesgos de incendio y extraer el aire debidamente, el aire debe evacuarse fuera. No extraiga el aire a espacios situados entre las paredes, en el techo o en el desván, falso techo o garaje.
7. Este producto está equipado con un termostato que puede poner en marcha el ventilador automáticamente. Para reducir el riesgo de que se produzcan daños y evitar poner en marcha la alimentación accidentalmente, apague la corriente en el tablero de servicio, bloquee este tablero o ponga una etiqueta de advertencia.
8. Para mayor información y conocer los requisitos, lea la etiqueta con las especificaciones en el producto.

TABLA DE CONTENIDOS

CAMPANAS DE COCINA DE LA SERIE WPD39M	28
1. SELECCIÓN DEL TIPO DE INSTALACIÓN, INSTALACIÓN DE LAS TUBERÍAS Y CONEXIONES ELÉCTRICAS	29
2. PREPARACIÓN DE LA INSTALACIÓN	30
3. INSTALACIÓN DE LA PLACA POSTERIOR (OPCIONAL)	30
4. INSTALACIÓN DE LA EXTENSIÓN MURAL (OPCIONAL).....	30
5. EXTRACCIÓN DE LOS FILTROS, DE LA BANDEJA PARA LA GRASA Y DEL CONJUNTO DEL PANEL	30
6. INSTALACIÓN DE LA REGLETA DE MONTAJE (SI NO SE USA LA EXTENSIÓN MURAL)	31
7. INSTALACIÓN DE LA CAMPANA	31
8. INSTALACIÓN DE LA PLACA DEL VENTILADOR	32
9. CONEXIÓN DEL CABLEADO	32
10. INSTALACIÓN DEL VENTILADOR	32
11. INSTALACIÓN DE LA CHIMENEA DECORATIVA (OPCIONAL).....	33
12. REINSTALACIÓN DEL CONJUNTO DEL PANEL, BANDEJA Y FILTROS DE GRASA.....	33
13. SUSTITUCIÓN DE LAS BOMBILLAS	33
14. CUIDADO	33-34
15. FUNCIONAMIENTO	34
16. DIAGRAMAS ELÉCTRICOS.....	35
17. PIEZAS	36

GARANTÍA

GARANTÍA LIMITADA DE UN AÑO DE LOS PRODUCTOS BEST

Broan-NuTone LLC (Broan-NuTone) garantiza al consumidor comprador original de Best productos que dichos productos carecerán de defectos en materiales o en mano de obra por un período de un año a partir de la fecha original de compra. NO EXISTEN OTRAS GARANTÍAS, EXPRESAS O IMPLÍCITAS, INCLUYENDO, PERO NO LIMITADAS, GARANTÍAS IMPLÍCITAS DE COMERCIALIZACIÓN O ACTITUD PARA UN PROPOSITO PARTICULAR. Durante el período de un año, y a su propio criterio, Broan-NuTone reparará o reemplazará, sin costo todo producto o pieza que se encuentre defectuosa bajo condiciones normales de servicio y uso.

ESTA GARANTÍA NO SE APLICA A LOS CEBADORES, TUBOS, BOMBILLAS HALÓGENAS Y INCANDESCENTES, A LOS FUSIBLES, FILTROS, TUBOS, CAPUCHONES PARA TEJADOS, CAPUCHONES MURALES Y OTROS ACCESORIOS DE CANALIZACIÓN

Esta garantía no cubre (a) mantenimiento y servicios normales o (b) cualquier productos o piezas que hayan sido mantenidas o reparadas inapropiadamente (por otras compañías que sea Broan-NuTone), instalación defectuosa, o instalación no conforme a las instrucciones de instalación recomendadas.

La duración de cualquier garantía implícita se limita a un periodo de un año como se especifica en la garantía expresa. Algunos estados o provincias no permiten limitaciones en cuanto al tiempo de expiración de una garantía implícita, por lo que la limitación antes mencionada puede no aplicarse a usted.

LA OBLIGACIÓN DE BROAN-NUTONE DE REPARAR O REEMPLAZAR, SIGUIENDO EL CRITERIO DE BROAN-NUTONE DEBERÁ SER EL ÚNICO Y EXCLUSIVO RECURSO LEGAL DEL COMPRADOR BAJO ESTA GARANTÍA. BROAN-NUTONE NO SERÁ RESPONSABLE POR DAÑOS ACCIDENTALES, CONSIGUIENTES, O POR DAÑOS ESPECIALES SURGIDOS O EN CONEXIÓN CON EL USO O EL RENDIMIENTO DEL PRODUCTO. Algunos estados o provincias no permiten la exclusión o limitación de daños accidentales o consiguientes, por lo que la limitación antes mencionada puede no aplicarse a usted.

Esta garantía le proporciona derechos legales específicos, y usted puede también tener otros derechos, los cuales varían de estado a estado o de provincia a provincia. Esta garantía reemplaza todas las garantías anteriores.

Para calificar en el servicio de garantía, usted debe (a) notificar a Broan-NuTone a la dirección o teléfono que se menciona abajo, (b) dar el número del modelo y la identificación de la pieza y (c) describir la naturaleza de cualquier defecto en el producto o pieza. En el momento de solicitar servicio cubierto por la garantía, usted debe presentar evidencia de la fecha original de la compra.

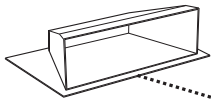
En los Estados Unidos - Best®, 926 W. State Street, Hartford, WI 53027 (800-558-1711)

En Canadá - Best®, 550 boul. Lemire, Drummondville, (Québec), Canada J2C 7W9 (866-737-7770)

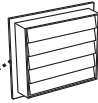
www.BestRangeHoods.com

- CAMPANAS DE COCINA DE LA SERIE WPD39M -

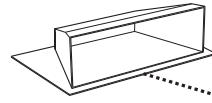
MODELO 437
(CAPUCHÓN DE ALTA
CAPACIDAD PARA TEJADO)



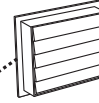
MODELO 441
(CAPUCHÓN MURAL
REDONDO DE 10")



MODELO 437
(CAPUCHÓN DE ALTA
CAPACIDAD PARA TEJADO)



MODELO 441
(CAPUCHÓN MURAL
REDONDO DE 10")



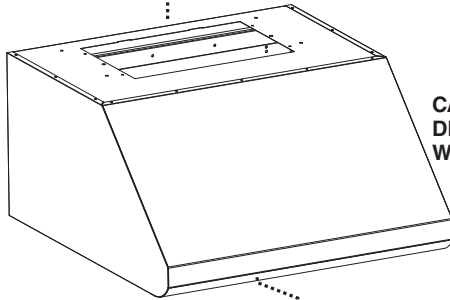
MODELO 418
(CODO AJUSTABLE REDONDO DE 10")



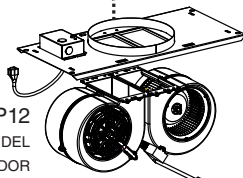
MODELO 410
(TUBO REDONDO DE 10",
SECCIONES DE 2 PIES)



SERIE AEWPD, CHIMENEA
DECORATIVA OPCIONAL

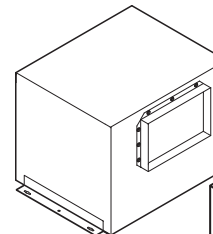


CAMPANA
DE LA SERIE
WPD39M

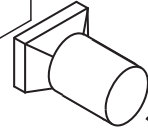


MODELO P12
CONJUNTO DE VENTILADOR/PLACA DEL
VENTILADOR
(VENTILADOR INTERIOR DE 1200 PCM
Y PLACA DEL VENTILADOR)

SERIE AEWPD, CHIMENEA
DECORATIVA OPCIONAL



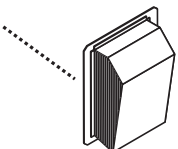
MODELO ILB11 (1100 PCM)
VENTILADOR EN LÍNEA
(COMPRENDE DOS CAMBIOS DE
SECCIÓN REDONDOS DE
8" X 12" A 10")



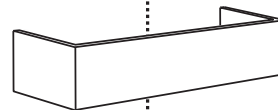
MODELO 418
(CODO AJUSTABLE
REDONDO DE 10")



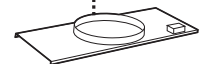
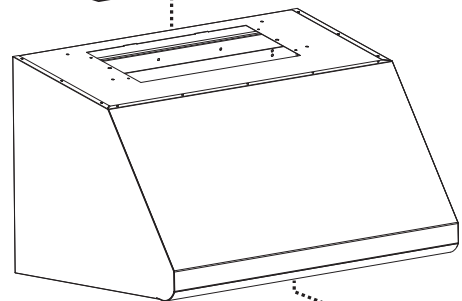
MODELO 410
(TUBO REDONDO DE 10",
SECCIONES DE 2 PIES)



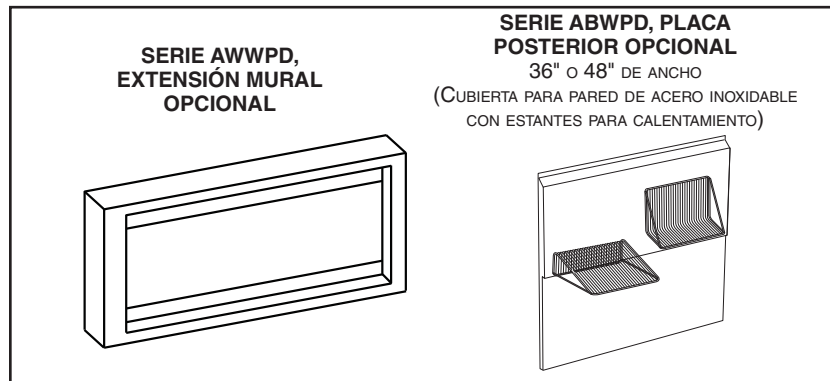
VENTILADOR EXTERIOR
MODELO EB12 (1200 PCM)
O EB15 (1500 PCM)



CAMPANA
DE LA SERIE
WPD39M



CONJUNTO DE PLACA DEL VENTILADOR
EN LÍNEA Y EXTERIOR (INCLUIDO CON LOS
VENTILADORES EB12, EB15 E ILB11)



SERIE AWWPD,
EXTENSIÓN MURAL
OPCIONAL

SERIE ABWPD, PLACA
POSTERIOR OPCIONAL
36" o 48" DE ANCHO
(CUBIERTA PARA PARED DE ACERO INOXIDABLE
CON ESTANTES PARA CALENTAMIENTO)

1. SELECCIÓN DEL TIPO DE INSTALACIÓN, INSTALACIÓN DE LAS TUBERÍAS Y CONEXIONES ELÉCTRICAS

PRECAUCIÓN

Esta campana está prevista para patios o terrazas exteriores cubiertos. Como ocurre con todos los aparatos eléctricos, se debe proteger esta campana todo lo posible de la intemperie.

⚠ ADVERTENCIA

Esta campana no está pensada para usar con una parrilla de carbón.

Para esta campana puede usarse un ventilador interior o exterior o un ventilador en línea. Debe instalarse únicamente con los modelos de ventilador P12, ILB11, EB12 o EB15. No pueden utilizarse otros ventiladores (el ventilador se vende aparte).

Planifique el lugar y la forma en que instalará las tuberías.

Un tubo recto y corto permitirá que la campana funcione más eficazmente.

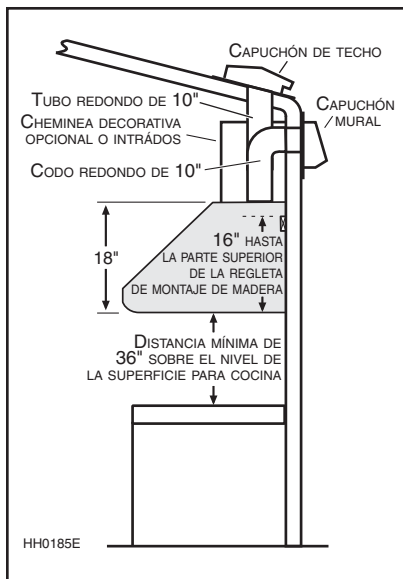
Instale una tubería redonda de acero galvanizado de 10", codos y un capuchón para tejado o mural, según el tipo de ventilador que utilice. Conecte la tubería metálica al capuchón y vaya retrocediendo hasta el lugar donde instalará la campana. Utilice cinta metálica de 2" para sellar las juntas.

Lleve un cable de alimentación de tres hilos hasta el lugar de la instalación.

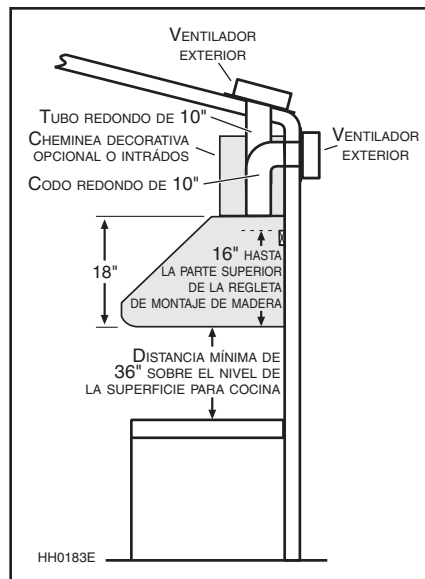
⚠ ADVERTENCIA

El cable de alimentación debe ser un circuito de derivación protegido con un interruptor del circuito de fallos de conexión a tierra.

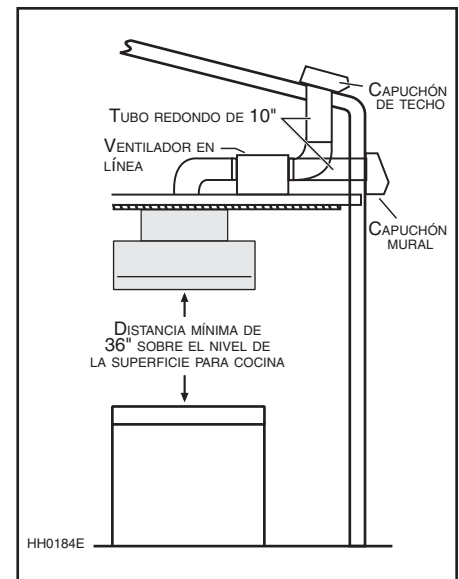
Para que la campana absorba mejor las impurezas creadas al cocinar, la base de la campana debe estar a una distancia de 36" de la superficie sobre la que se cocina.



**VENTILADOR INTERIOR DOBLE
MODELO P12
INSTALACIÓN HABITUAL DE LOS TUBOS**



**VENTILADOR EXTERIOR
MODELO EB12 o EB15
INSTALACIÓN HABITUAL DE LOS TUBOS**



**VENTILADOR EN LÍNEA MODELO ILB11
INSTALACIÓN HABITUAL DE LOS TUBOS**

2. PREPARACIÓN DE LA INSTALACIÓN

⚠ ADVERTENCIA

Se aconseja llevar lentes y guantes de seguridad para instalar, reparar o limpiar la campana.

NOTA: Antes de comenzar la instalación, verificar el contenido de la caja. Si alguna pieza falta o está dañada, póngase en contacto con el fabricante.

Verifique que la caja contenga los siguientes elementos:

- Campana
 - Regleta de madera (en la parte trasera de la campana)
 - Manual de instalación
 - Accesorios:
 - 4 filtros con manijas
 - Bandeja para la grasa con manija
 - Bombillas halógenas protegidas (120 V, 50 W máx., MR16 con base GU10) (2 para el modelo de 36" de ancho, 3 para los modelos de 48" y 60" de ancho)
 - Bolsa de piezas: 3 conectores impermeables de hilos, 2 tornillos n.º 8 x 5/8", 6 tornillos de cabeza hexagonal n.º 10 x 2", 4 tornillos de cabeza plana n.º 10 x 2", 2 sujeciones murales, 6 arandelas 3/16" DI x 3/4" DE, 4 tuercas de acero inoxidable 10-32
- La bolsa debería incluir también las siguientes piezas que no deben usarse (deséchelas):
2 abrazaderas de hilos LP16-AP, 2 tornillos n.º 8 x 3/8" revestidos de zinc, 8 tornillos de acero inoxidable n.º 8 x 3/8"

Piezas vendidas aparte:

- Conjunto de ventilador interior, modelo P12
 - Conjunto de ventilador en línea, modelo ILB11
 - Conjunto de ventilador exterior, modelo EB12 o EB15
 - Placa posterior de la serie ABWPD, 36" o 48" de ancho (opcional)
 - Chimenea decorativa de la serie AEWPD, se instala sobre la campana (opcional)
 - Extensión mural de la serie AWWPD, 36", 48" o 60" de ancho (opcional)
 - Cambios de sección, tubos, codos, dispositivos de cierre, capuchones murales y de techo
- Consulte la página 28 para ver la lista completa de opciones de aireación y los números de modelo.

NOTA: Proteja las encimeras y la superficie sobre la que cocina al instalar la campana.

3. INSTALACIÓN DE LA PLACA POSTERIOR (OPCIONAL)

Serie ABWPD (sólo para campanas de 36" y 48" de ancho)

La placa posterior debe instalarse antes del revestimiento de la campana, ya que éste cubre los tornillos superiores de montaje de la placa (vea las instrucciones que vienen con la placa posterior).

4. INSTALACIÓN DE LA EXTENSIÓN MURAL (OPCIONAL)

Serie AWWPD

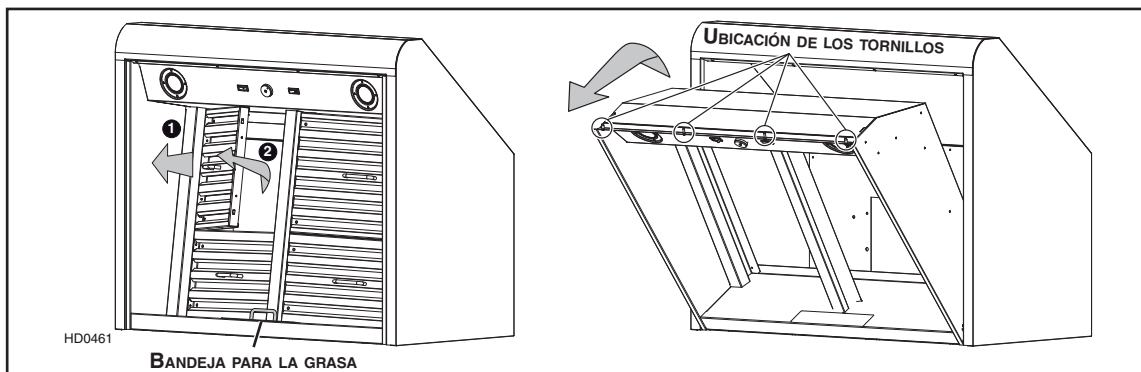
La extensión mural debe instalarse antes que la campana (vea las instrucciones que vienen con la extensión mural).

5. EXTRACCIÓN DE LOS FILTROS, DE LA BANDEJA PARA LA GRASA Y DEL CONJUNTO DEL PANEL

Retire la cinta de los filtros. Saque los filtros de la campana (como se muestra en la ilustración) y póngalos aparte.

Retire la cinta de la bandeja para la grasa. Levante y tire de la bandeja para sacarla y póngala aparte.

Retire los tornillos que sujetan el conjunto del panel (4, 5 o 6 en función del ancho de la campana) y póngalos aparte. Incline hacia delante el conjunto del panel.



6. INSTALACIÓN DE LA REGLETA DE MONTAJE (SI NO SE USA LA EXTENSIÓN MURAL)

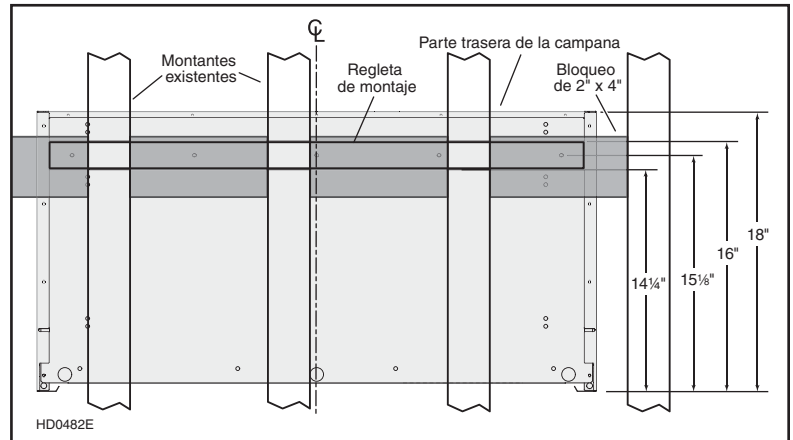
PRECAUCIÓN

Dado el peso de la campana, compruebe que la regleta de montaje esté sujeta a todos los montantes disponibles de la pared; no sujete la regleta sólo en el panel mural.

NOTA: Si la campana se instala con la extensión mural opcional, consulte la hoja de instrucciones que viene con la extensión mural para la ubicación de la regleta de montaje.

1. Se necesita una estructura de apoyo adecuada para soportar el peso de la campana. Construya la estructura mural con madera de 2" x 4" como mínimo.

2. Marque la ubicación del centro de la campana.
3. Mida y marque sobre la pared una línea a nivel por encima de la superficie sobre la que se cocina para colocar la regleta de montaje. Instale puntos de bloqueo de 2" x 4" entre los montantes donde pondrá la regleta. Consulte la ilustración de la derecha.
4. Saque la regleta de montaje de la parte trasera de la campana.
5. Coloque la regleta sobre la pared y fíjela a los montantes y puntos de bloqueo con los 4 tornillos de cabeza plana n.º 10 x 2" (incluidos en la bolsa de piezas).



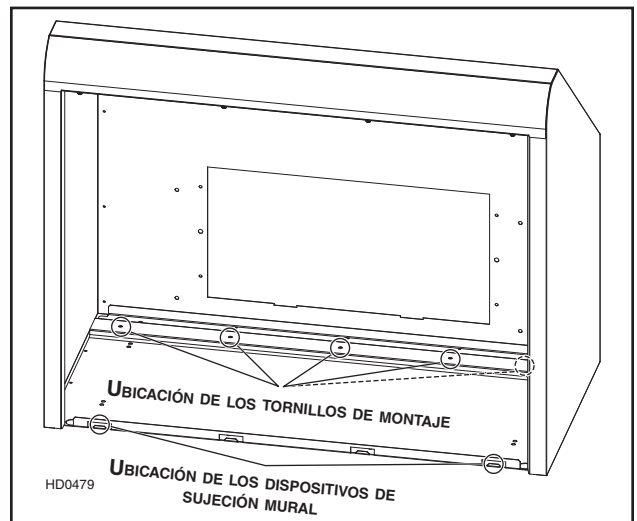
7 INSTALACIÓN DE LA CAMPANA

⚠ ADVERTENCIA

Sujete la campana hasta que esté bien fijada a la regleta de montaje.

Ponga la parte trasera de la campana sobre la regleta de montaje.

Sujete la campana a la regleta de montaje con 5 tornillos de cabeza hexagonal n.º 10 x 2" en los lugares que se muestran en la ilustración de la derecha. Taladre a través de los orificios de la parte interior trasera de la campana indicados dos orificios de 3/16" de diámetro en los lugares que se indican en la ilustración de la derecha. A continuación, instale ambos dispositivos de sujeción mural con los tornillos n.º 8 x 5/8" y con las arandelas provistas.



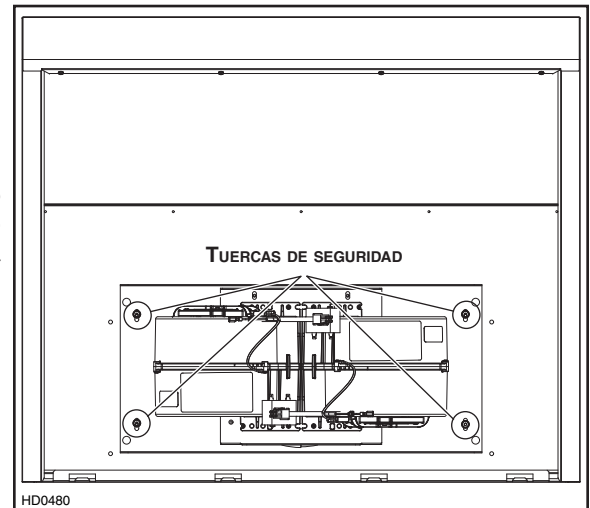
8. INSTALACIÓN DE LA PLACA DEL VENTILADOR

PRECAUCIÓN

Instale la placa del ventilador con las 4 tuercas de seguridad 10-32 y las arandelas incluidas en la bolsa de piezas de la campana. Deseche las tuercas que vienen con la placa del ventilador.

Consulte las instrucciones que vienen con la placa del ventilador que haya elegido (se vende aparte) para mayor información sobre la instalación de la placa. Instale la placa del ventilador de manera que la caja de conexiones quede a su derecha cuando esté frente a la campana.

Conecte el tubo redondo de 10" a la placa del ventilador.



9. CONEXIÓN DEL CABLEADO

⚠ ADVERTENCIA

Riesgo de choque eléctrico. Las conexiones eléctricas debe hacerlas personal calificado de acuerdo con los códigos y normas aplicables. Antes de conectar los hilos, corte la corriente en el tablero eléctrico y bloquee los medios de desconexión para impedir que alguien dé la corriente accidentalmente.

Quite la tapa de la caja de cableado de la placa del ventilador y póngala aparte.

Conecte el hilo NEGRO con el NEGRO, el BLANCO con el BLANCO y sujete el VERDE o pelado al tornillo VERDE de tierra.

Vuelva a instalar la tapa de la caja de cableado.

INSTRUCCIONES SOBRE LOS CONECTORES IMPERMEABLES DE HILOS:

1. Pele una distancia de 3/8" en los hilos.
2. Ponga juntos los cables o hilos conductores deshilachados.
3. No los trence. Ponga los hilos pelados juntos, con los extremos a la misma altura, con los hilos trenzados más pequeños ligeramente más arriba que los hilos rígidos o trenzados más largos.
4. Enrosque el conector sobre los hilos empujando firmemente hasta que quede bien apretado. NO apriete demasiado.
5. Al introducir los hilos en los conectores, puede verterse algún producto sellante. Limpie el sellante sobrante en los conectores o alrededor de ellos. NO VUELVA A USAR EL SELLANTE.

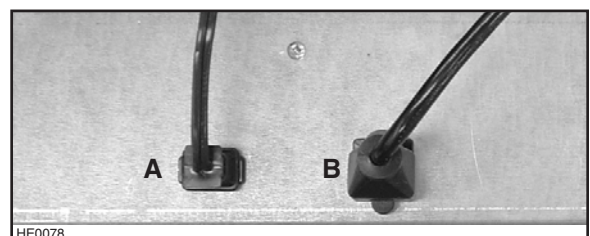
10. INSTALACIÓN DEL VENTILADOR

Consulte las instrucciones que vienen con el ventilador.

Una vez instalado el ventilador, enchufe el cable del ventilador (A) en la toma hembra y el cable de alimentación (B) en el conector macho dentro de la campana.

⚠ ADVERTENCIA

No enchufe un cable en el otro.



11. INSTALACIÓN DE LA CHIMENEA DECORATIVA (OPCIONAL)

Serie AEWPD

Consulte las instrucciones que vienen con la chimenea decorativa

12. REINSTALACIÓN DEL CONJUNTO DEL PANEL, BANDEJA Y FILTROS DE GRASA

PRECAUCIÓN

Quite la película protectora de plástico que cubre los filtros antes de instalarlos.

1. Empuje hacia atrás, dentro de la campana, el conjunto del panel y fíjelo a la campana con los tornillos que quitó anteriormente (véase la etapa 5).
2. Vuelva a instalar la bandeja para la grasa.
3. Introduzca un lado del filtro en el canal lateral de la campana. Levante el otro lado hacia el centro de la campana e introduzca el riel de vertido de la grasa.

13. SUSTITUCIÓN DE LAS BOMBILLAS

Esta campana debe utilizar bombillas halógenas protegidas de tipo MR16, de 120 V y 50 W con base GU1 (incluidas). (2 para el modelo de 36" de ancho, 3 para los modelos de 48" y 60" de ancho.)

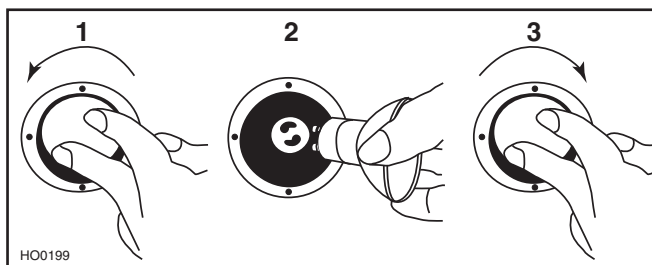
⚠ ADVERTENCIA

No tocar las bombillas durante o justo después de la utilización. Pueden causar quemaduras. Para prevenir el riesgo de lesiones corporales, instale solamente bombillas halógenas protegidas. Nunca instalar una bombilla dicroica o no concebida para luminarias empotradas o bombillas identificadas sólo para uso en dispositivos encerrados.

1. Para quitar las bombillas, empuje suavemente hacia arriba y gire en sentido antihorario para liberar el casquillo de sus ranuras.

NOTA: Para facilitar la extracción de las bombillas utilice un guante de caucho o una ventosa disponible en Best. Comuníquese con Servicio al cliente de Best en el teléfono 1-800-558-1711 para pedir esta herramienta (n.º de pieza: 99526707).

2. Instale las bombillas nuevas colocando los casquillos de las bombillas en sus ranuras, en los portalámparas.
3. Empuje suavemente hacia arriba y gire al mismo tiempo en el sentido horario hasta que queden bien afianzadas.



14. CUIDADO

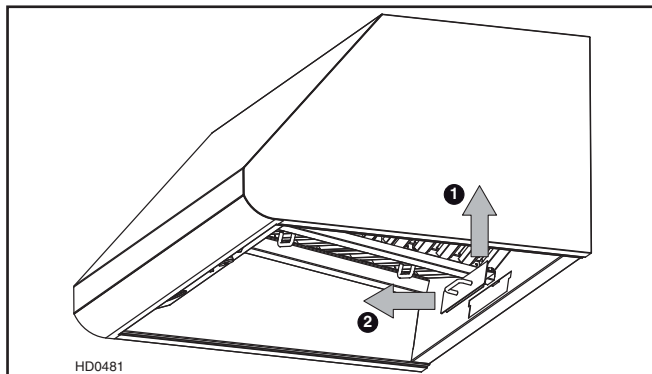
Filtros

Los filtros deben limpiarse con frecuencia. Utilice una disolución de detergente con agua templada. Límpielos con mayor frecuencia si su tipo de cocina genera más grasa (alimentos fritos o cocina con wok). Quítelos empujándolos hacia el lado de la campana y girándolos hacia abajo.

Los filtros pueden lavarse en el lavavajillas. Nettoyer les filtres fabriqués entièrement de métal au lave-vaisselle à l'aide d'un détergent sans phosphate. Lave los filtros totalmente metálicos en el lavavajillas con un detergente sin fosfato. Si se usa un detergente con fosfato, el filtro puede decolorarse, algo que también puede ocurrir según el tipo de agua. En ninguno de los dos casos ello afecta el desempeño de los filtros. La decoloración no está cubierta por la garantía.

Bandeja para la grasa

La bandeja para la grasa debe vaciarse y limpiarse con frecuencia. Sáquela de la campana (como se ve en la ilustración de la derecha) y utilice una disolución de detergente con agua templada. Límpiela con mayor frecuencia si su tipo de cocina genera más grasa (alimentos fritos o cocina con wok). Deje que la bandeja seque completamente antes de volver a instalarla en la campana.



14. CUIDADO (CONTINUACIÓN)

Riel de vertido de la grasa

El riel de vertido de la grasa debe limpiarse con frecuencia. Utilice para ello un trapo limpio mojado en una disolución de detergente con agua templada. Límpielo con mayor frecuencia si su tipo de cocina genera más grasa (alimentos fritos o cocina con wok).

Limpeza del ventilador

Utilice un aspirador para limpiarlo. No lo sumerja en agua.

Limpeza de la campana

Limpeza del acero inoxidable:

Debe hacerse:

- Limpiar regularmente las superficies con un trapo limpio humedecido con una mezcla de agua templada y jabón suave o detergente para la vajilla.
- Limpiar siempre en la dirección de las líneas originales de pulido del acero.
- Enjuagar siempre con agua limpia (2 o 3 veces) después de limpiar. Seque completamente.
- También puede utilizar un limpiador doméstico especial para acero inoxidable.

No debe hacerse:

- Utilizar un estropajo de acero o acero inoxidable u otro tipo de rasquetas para quitar la suciedad resistente.
- Utilizar limpiadores fuertes o abrasivos.
- Dejar que la suciedad se acumule.
- Dejar que el polvo del yeso u otros residuos de la construcción manchen la campana. Si efectúa obras de construcción o renovación, cubra la campana para que no se manche la superficie de acero inoxidable.

Al escoger un detergente, evite:

- Los limpiadores que contienen **blanqueador** (lejía), ya que dañarán el acero inoxidable.
- Los productos que contengan **cloruro, fluoruro, yoduro y bromuro**, ya que deterioran las superficies rápidamente.
- Los productos combustibles que se emplean para la limpieza, como **acetona, alcohol, éter, benzol**, etc., ya que son altamente explosivos y nunca deberían estar cerca de una cocina.

15. FUNCIONAMIENTO

VENTILADOR

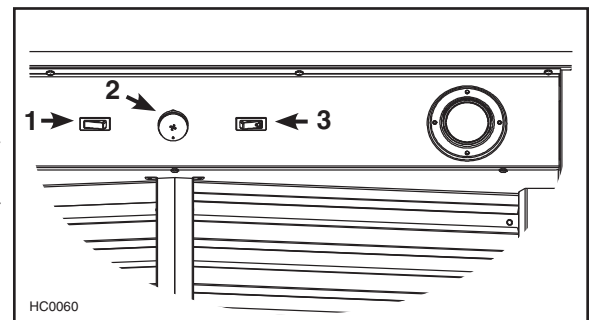
El ventilador se maneja con dos controles.

Utilice el interruptor oscilante (1) para poner en marcha y detener el ventilador. Al ponerlo en marcha, el interruptor se ilumina en rojo y el ventilador funciona a la velocidad que se haya elegido con el botón de control de velocidad (2).

Gire el botón de control de velocidad en el sentido de las agujas de un reloj para incrementar la velocidad del ventilador y en sentido contrario para disminuirla.

LUCES (HALÓGENAS)

Utilice el interruptor oscilante (3) para encender y apagar las luces halógenas.



- 1) Interruptor del ventilador
- 2) Botón de control de la velocidad del ventilador
- 3) Interruptor de las luces halógenas

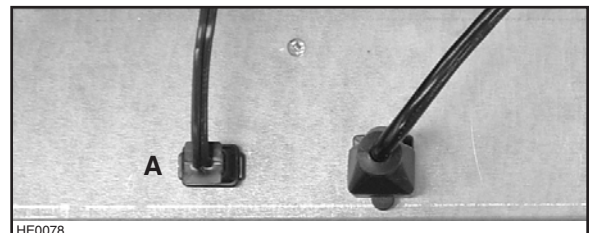
HEAT SENTRY™

Esta campana está equipada con un termostato Heat Sentry™. Este dispositivo pone en marcha el ventilador en la velocidad alta cuando detecta un calor excesivo por encima de la superficie sobre la que se cocina.

- 1) Si el ventilador está apagado, se pondrá en marcha en la velocidad alta.
- 2) Si el ventilador ya está funcionando, pasará a la velocidad alta.

⚠ ADVERTENCIA

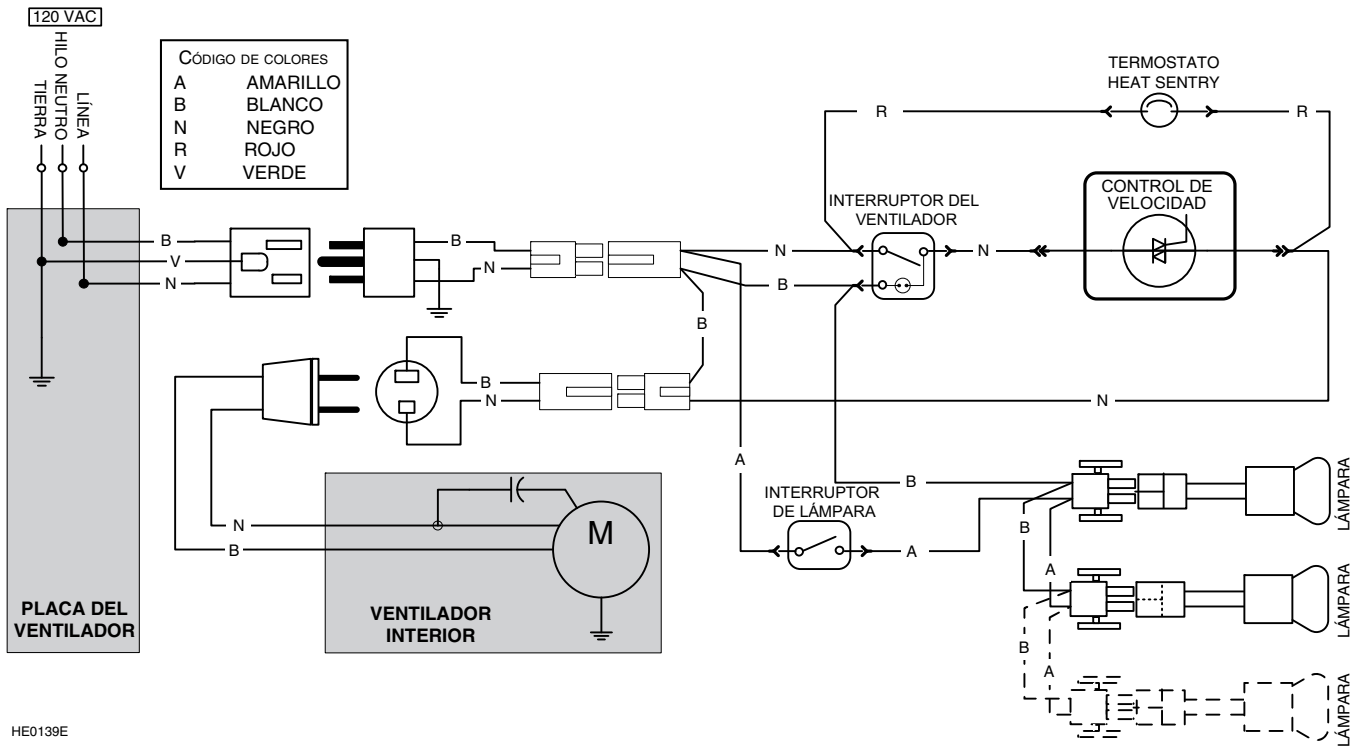
El termostato HEAT SENTRY puede poner en marcha el ventilador cuando sobre la cocina hay fuego u otra fuente de calor excesiva, incluso si la campana está apagada. En tal caso, es imposible apagar el ventilador con el interruptor. Para apagarlo, quite el enchufe del ventilador (A).



Cuando la temperatura baje a un nivel normal, el ventilador volverá a su configuración original.

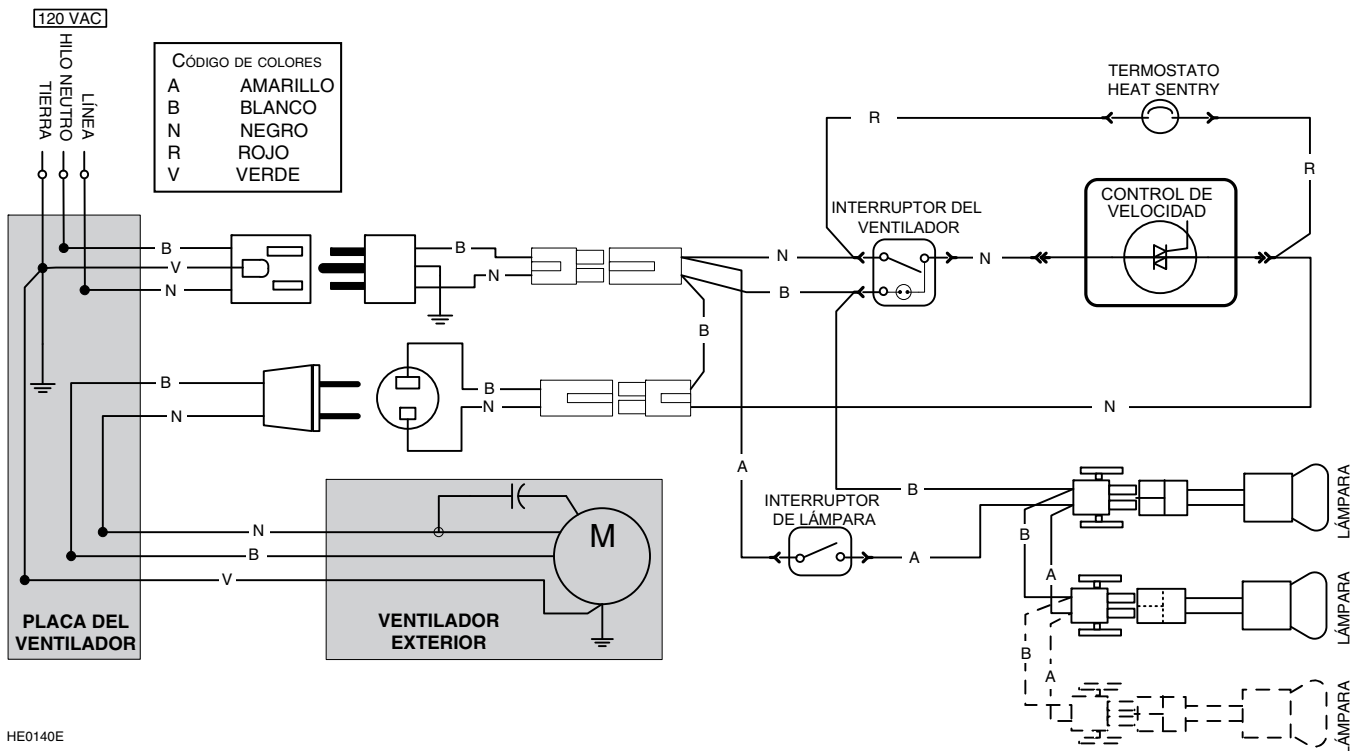
16. DIAGRAMAS ELÉCTRICOS

Ventilador interior



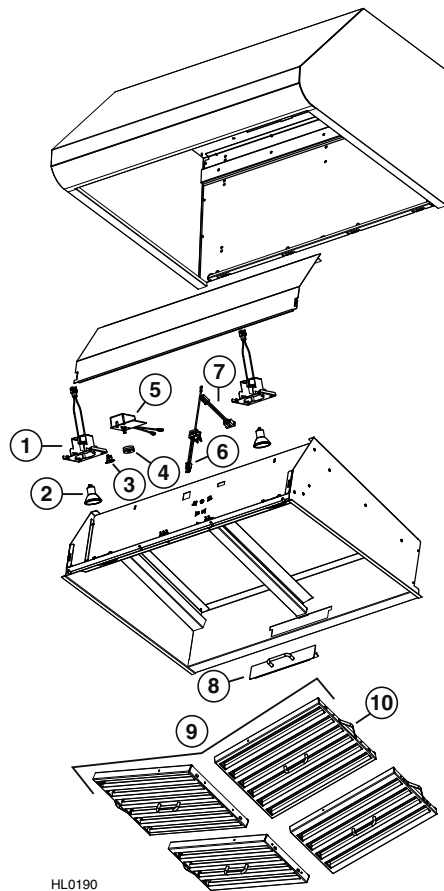
HE0139E

Ventilador exterior



HE0140E

17. PIEZAS



HL0190

N.º	N.º DE PIEZA	DESCRIPCIÓN	CTD (ANCHURA DE LA CAMPANA)		
			36"	48"	60"
1	SV60887	CONJUNTO DE LA LÁMPARA	2	3	3
2	SV05921	BOMBILLA HALÓGENA PROTEGIDA (120 V, 50 W, BASE GU10)	2	3	3
3	SV03435	TERMOSTATO HEAT SENTRY™	1	1	1
4	SV08549	BOTÓN DEL VENTILADOR	1	1	1
5	SV03501	CONTROL DE VELOCIDAD	1	1	1
6	SV13924	CONECTOR MACHO	1	1	1
7	SV13923	CONECTOR HEMBRA	1	1	1
8	SV60879	BANDEJA PARA LA GRASA	1	1	1
9	SV60675	FILTRO 11.84" x 15.125" (MANIJA INCLUIDA)	2	2	2
	SV60716	FILTRO 8.84" x 15.125" (MANIJA INCLUIDA)	2	2	2
10	SV08337	RESORTE DEL FILTRO	4	4	4
*	SV02563	INTERRUPTOR OSCILANTE DE LA LUZ	1	1	1
*	SV03503	INTERRUPTOR OSCILANTE DEL VENTILADOR	1	1	1
*	SV05869	LOGOTIPO DE BEST	1	1	1
*	SV20611	GUÍA DE INSTALACIÓN	1	1	1
*	SV04216	BOLSA DE PIEZAS: 3 CONECTORES IMPERMEABLES DE HILOS, 2 TORNILLOS N.º 8 x 5/8", 6 TORNILLOS DE CABEZA HEXAGONAL N.º 10 x 2", 4 TORNILLOS DE CABEZA PLANA N.º 10 x 2", 2 SUJECIONES MURALES, 6 ARANDELAS 3/16" DI x 3/4" DE, 4 TUERCAS DE ACERO INOXIDABLE 10-32, 2 ABRAZADERAS DE HILOS LP16-AP, 2 TORNILLOS N.º 8 x 3/8" REVESTIDOS DE ZINC, 8 TORNILLOS DE ACERO INOXIDABLE N.º 8 x 3/8"	1	1	1

* NO SE MUESTRAN.

SUSTITUCIÓN DE PIEZAS Y REPARACIÓN

Para que la unidad se conserve en buen estado, debe usar repuestos genuinos de Broan-NuTone únicamente. Estas piezas se han diseñado especialmente para cada unidad y se han fabricado conforme a las normas de certificación aplicables y un elevado nivel de seguridad. El uso de repuestos de otros fabricantes podría causar daños graves y reducir radicalmente el desempeño de la unidad, causando así fallas prematuras. Broan-NuTone también aconseja ponerse en contacto con un taller de reparación homologado por Broan-NuTone para todos los repuestos y reparaciones.