

MODELS P3, P6, iQ6, P12, iQ12 BLOWER / ROUGH-IN KITS

Provides high ventilation and durable construction to meet the needs of professional-quality home cooktops.

FEATURES

Model P3

- 300 cfm, 120VAC, 60Hz, 3.0A
- Interior mounted, single-wheel design blower - attaches to rough-in plate independent of hood
- Includes rough-in kit with 8-in. round damper/adaptor
- Uses 8-in. round duct

Model P6

- 600 cfm, 120VAC, 60Hz, 3.0A
- Interior mounted, single-wheel design blower - attaches to rough-in plate independent of hood
- Includes rough-in kit with 8-in. round damper/adaptor
- Uses 8-in. round duct

Model iQ6

- 600 cfm, 120VAC, 60Hz, 3.8A
- Interior mounted, single-wheel design blower - attaches to rough-in plate independent of hood
- Includes rough-in kit with 8-in. round damper/adaptor
- Uses 8-in. round duct

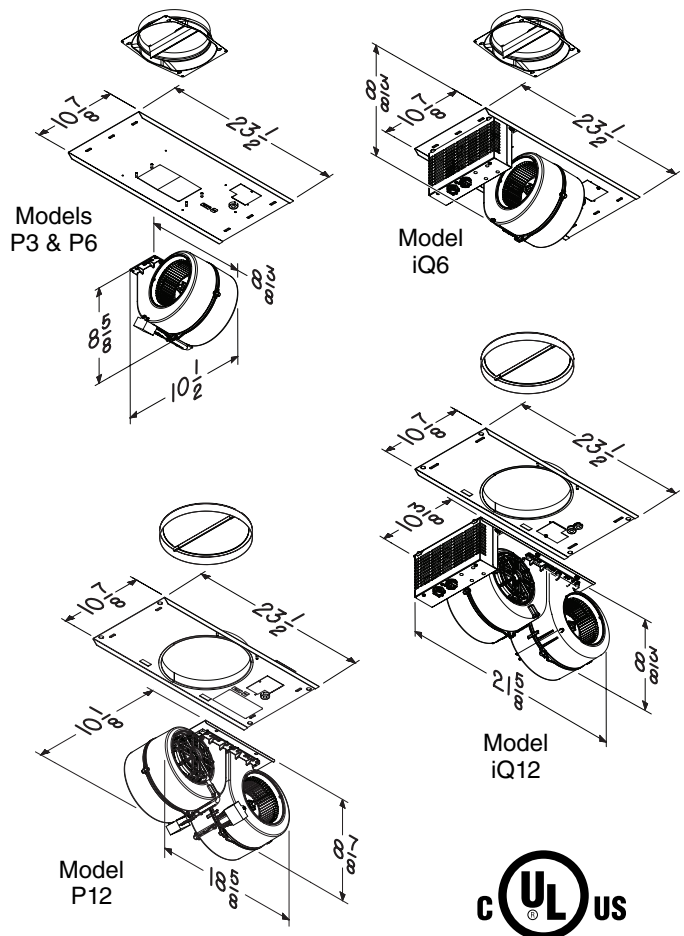
Model P12

- 1200 cfm, 120VAC, 60Hz, 6.0A
- Interior mounted, dual-wheel design blowers - attach to rough-in plate independent of hood
- Includes rough-in kit with 10-in. round inline damper
- Uses 10-in. round duct

Model iQ12

- 1200 cfm, 120VAC, 60Hz, 7.6A
- Interior mounted, dual-wheel design blowers - attach to rough-in plate independent of hood
- Includes rough-in kit with 10-in. round inline damper
- Uses 10-in. round duct

SPECIFICATIONS



BEST Hartford, Wisconsin www.BestRangeHoods.com 800-558-1711
 BEST Drummondville, QC, Canada www.BestRangeHoods.com 866-737-7770

REFERENCE	QTY.	REMARKS	Project	
			Location	
			Architect	
			Engineer	
			Contractor	
			Submitted by	Date