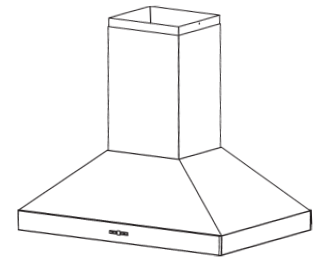


COLONNE ISLAND IPP9IQ SERIES RANGE HOOD



The traditional island chimney hood design from Italy has stood the test of time. The Colonne Island builds on this legacy with a new powerful design that looks spectacular from any angle, and at the same time, handles the needs of pro-style cooking.

FEATURES

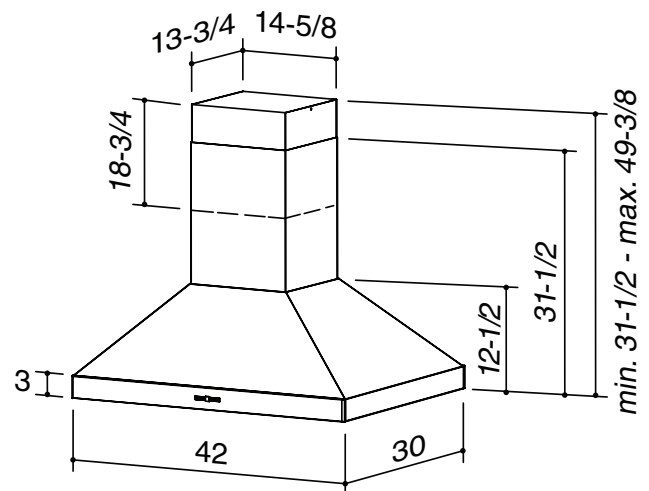
- Italian design
- Wall mount
- Finishes: 430 Stainless Steel, #4 Brushed
- Width: 42-in. Depth: 30-in.
- Ducted telescopic flue accommodates 8' to 9' ceilings
- 10" round duct connector/backdraft damper
- 2-level halogen lamps, T4, G9, 25-Watt, Qty:4
- Three speed plus boost, electronic pushbuttons with display
- Quiet iQ12 blower system with high-efficiency BLDC motor
- Heat Sentry™ - automatically turns blower to high speed when excess cooking heat is detected
- Delay timer control automatically shuts off range hood after 10 minutes
- Special control indicates when it's time to clean the filter
- Dishwasher-safe, mesh lined, Hi-Flow™ baffle filters
- For indoor use only

OPTIONS

- Flue extension for 10-ft. to 11-ft. ceilings (ducted Model AEIPP9SB, stainless steel 42-3/4" long)

iQ12 - 1200 CFM Blower System providing:

- Best in class quiet operation.
- Up to 30% faster smoke and odor removal than comparable models.
- Up to 22x more energy efficient than comparable models.
- Guaranteed Performance System (GPS) technology calibrates the hood system to every installation to provide up to 30% more CFM than standard range hoods.
- Using a duct reducer with this hood may prevent the product from calibrating.



SPECIFICATIONS

VOLTS	AMPS	CFM / SONES (Boost)	CFM / SONES (High Speed)	CFM / SONES (Med. Speed)	CFM / SONES (Low Speed)	DUCT
120	8.4	1100 / 10.5	830	577	330 / 1.0	10" round

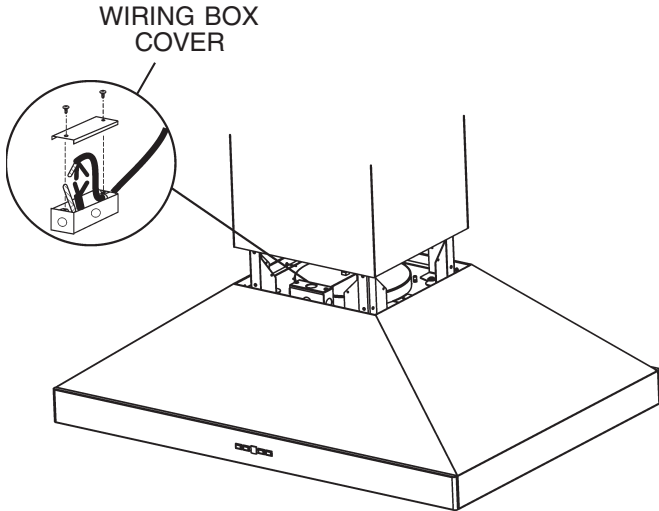


This product was tested by Broan-NuTone for airflow performance using the ANSI/AMCA 210 Standard, which is equivalent to the Home Ventilating Institute HVI 916 - Procedure for Air Flow Testing, and tested for sound performance using the ANSI S12.51 Standard, which is equivalent to the Home Ventilating Institute HVI 915 - Procedure for Loudness Rating of Residential Fan Products.

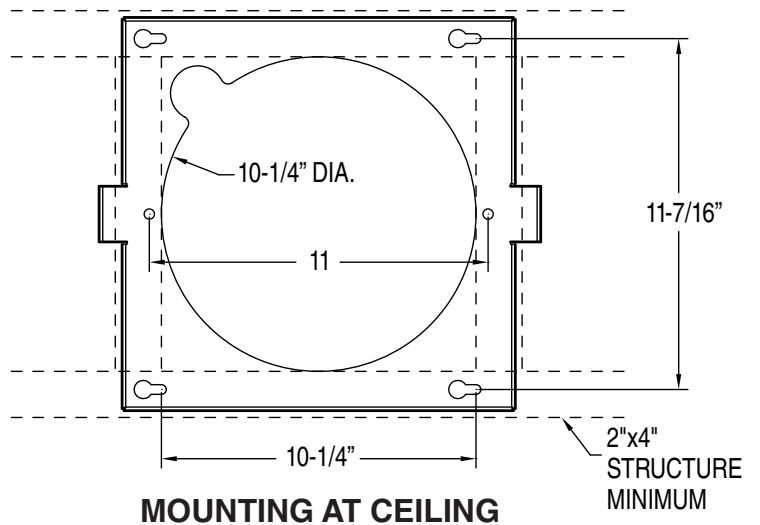
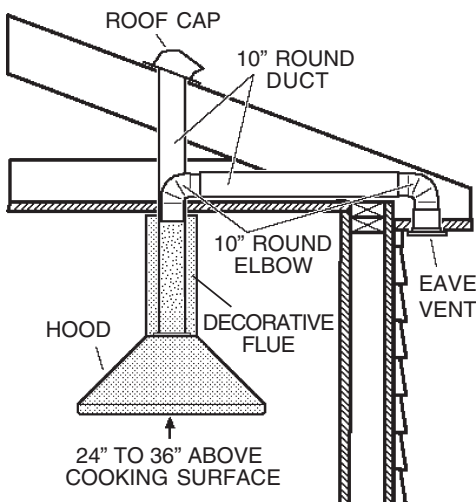
BEST Hartford, Wisconsin www.BestRangeHoods.com 800-558-1711
 BEST Drummondville, QC, Canada www.BestRangeHoods.com 866-737-7770

REFERENCE	QTY.	REMARKS	Project
			Location
			Architect
			Engineer
			Contractor
			Submitted by
			Date

IPP9IQ SERIES WIRING



IPP9IQ SERIES MOUNTING



CEILING HEIGHT	HOOD DISTANCE ABOVE 36" HIGH COOK TOP (see notes below)												
	24"	25"	26"	27"	28"	29"	30"	31"	32"	33"	34"	35"	36"
	ASSEMBLED SUPPORT FRAME HEIGHT (IN.)												
8 FEET	24 ³ / ₄ "	23 ³ / ₄ "	22 ³ / ₄ "	21 ³ / ₄ "	---	---	---	---	---	---	---	---	---
9 FEET	---	---	---	33 ³ / ₄ "	32 ³ / ₄ "	31 ³ / ₄ "	30 ³ / ₄ "	29 ³ / ₄ "	28 ³ / ₄ "	27 ³ / ₄ "	26 ³ / ₄ "	25 ³ / ₄ "	24 ³ / ₄ "
10 FEET (see note b.)	48 ³ / ₄ "	47 ³ / ₄ "	46 ³ / ₄ "	45 ³ / ₄ "	44 ³ / ₄ "	43 ³ / ₄ "	42 ³ / ₄ "	41 ³ / ₄ "	40 ³ / ₄ "	39 ³ / ₄ "	38 ³ / ₄ "	---	---
11 FEET (see note b.)	---	---	---	---	56 ³ / ₄ "	55 ³ / ₄ "	54 ³ / ₄ "	53 ³ / ₄ "	52 ³ / ₄ "	51 ³ / ₄ "	50 ³ / ₄ "	49 ³ / ₄ "	48 ³ / ₄ "

--- Mounting height is not possible.

- Minimum hood distance above cook top must not be less than 24". A maximum of 36" above cook top is highly recommended for best capture of cooking impurities. Distances over 36" are at the installer and user's discretion; and if ceiling height and flue length permit.
- Requires optional 10-ft. to 11-ft. flue extension, ducted model AEIPP9SB.

