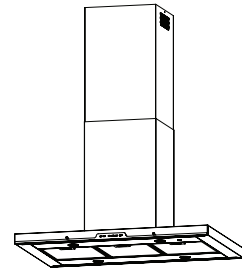


ECLISSE ISLAND IC34E SERIES RANGE HOOD



The common made uncommon. Eclisse Island can be a powerful statement from one angle, but nearly disappear from another. This is a unique “brick” design that makes it most attractive and exclusive.

FEATURES

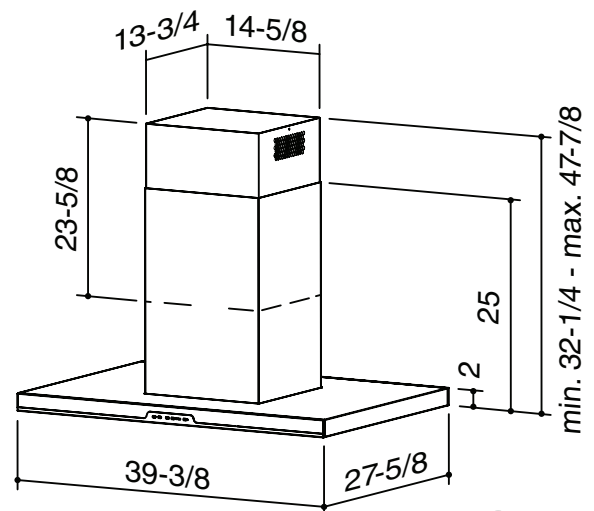
- Italian design
- Wall mount
- Finishes: 430 Stainless Steel, #4 Brushed
- Width: 39-3/8-in. Depth: 27-5/8-in.
- Telescopic flue accommodates 8' to 9' ceilings
- 8" round duct connector/backdraft damper
- Four-speed electronic pushbutton control with LED indicator
- Use with exterior-mounted or inline remote blowers for different levels of exhaust capacity (see specifications - blower purchased separately)
- Heat Sentry™ - automatically turns blower to high speed when excess cooking heat is detected
- Delay timer control automatically shuts off range hood after 10 minutes
- Special control indicates when it's time to clean the filter
- Dishwasher-safe filter features a quick-release latch
- For indoor use only

OPTIONS

- 8-in. to 10-in. transition (Model 414)
- Flue extension for 10-ft. to 11-ft. ceilings (Model AEIC34SB), stainless steel
- Remote control (Model ACR2)

SPECIFICATIONS

WITH OPTIONAL BLOWER MODELS		BLOWER CFM	VOLTS	AMPS	DUCT
EB6	wall or roof mount exterior blowers	600 max.	120	0.60 (lights only) + 6.0 max. (blower only)	8-in. round at the hood. See blower specs for duct requirements.
EB9		900 max.			
EB12		1200 max.			
EB15		1500 max.			
ILB3	inline blowers	280 max.			
ILB6		600 max.			
ILB9		800 max.			
ILB11		1100 max.			

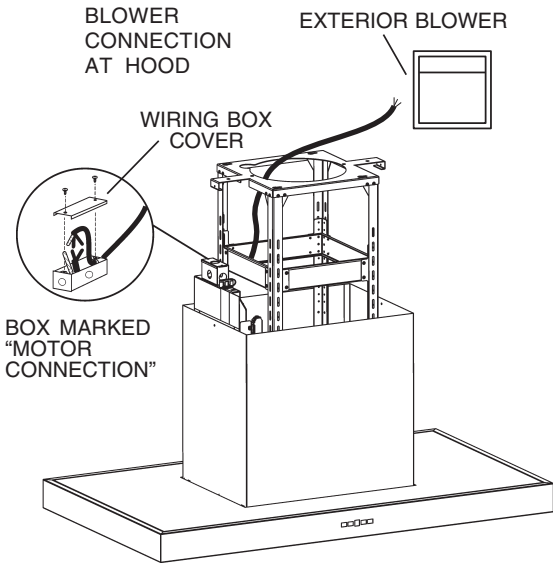


BEST Hartford, Wisconsin www.BestRangeHoods.com 800-558-1711
 BEST Drummondville, QC, Canada www.BestRangeHoods.com 866-737-7770

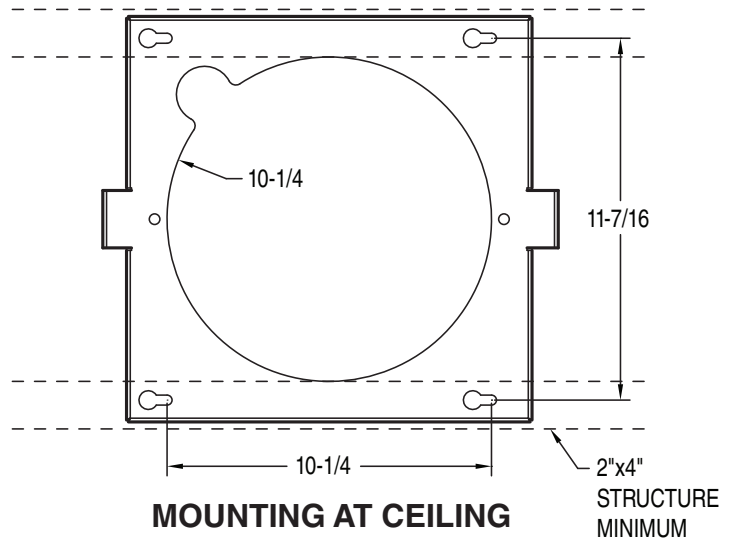
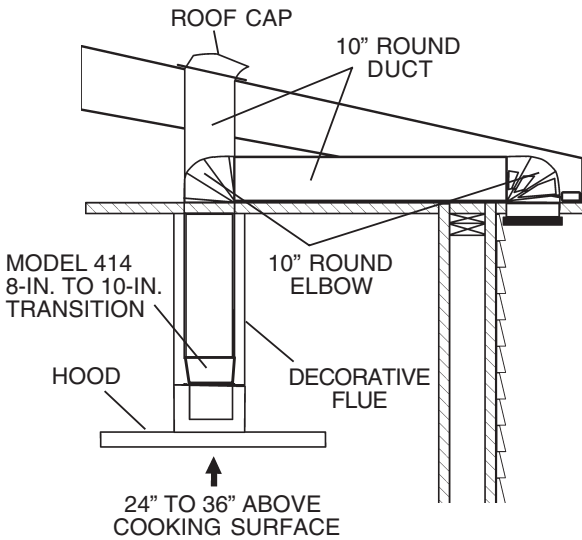


REFERENCE	QTY.	REMARKS	Project
			Location
			Architect
			Engineer
			Contractor
			Submitted by
			Date

IC34E SERIES WIRING



IC34E SERIES MOUNTING



CEILING HEIGHT	DUCT METHOD	HOOD DISTANCE ABOVE 36" HIGH COOK TOP (see notes below)													
		24"	25"	26"	27"	28"	29"	30"	31"	32"	33"	34"	35"	36"	
8 FEET	Ducted	X	X	X	X	---	---	---	---	---	---	---	---	---	
9 FEET	Ducted	---	X*	X*	X*	X*	X	X	X	X	X	X	X	X	
10 FEET (see note b.)	Ducted	X	X	X	X	X	X	X	X	X	X	X	X	X	
11 FEET (see note b.)	Ducted	---	---	---	---	---	---	---	---	X	X	X	X	X	

- X Mounting height is possible.
- X* Mounting height is possible, but non-duct opening exposed.
-
-
-
-
-
-
-
-
-
-
-
-

- a. Minimum hood distance above cook top must not be less than 24". A maximum of 36" above cook top is highly recommended for best capture of cooking impurities. Distances over 36" are at the installer and user's discretion; and if ceiling height and flue length permit.
- b. Requires optional 10-ft. to 11-ft. flue extension, ducted model AEIC34SB.

