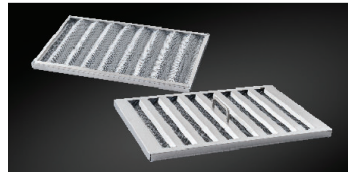




CP5 Series

All-in-one built-in design includes liner, blower, filtration, controls, lighting, and damper for easy installation into custom canopy hoods.

- Powered by the exclusive iQ Blower System™ with either 800 or 1500 MAX blower CFM with GPS Technology for the quietest, most energy-efficient and fastest smoke and odor removal available in a range hood. Ultra-quiet 0.3 sones at normal setting. External blower options also available.
- 4-speed electronic controls with a 10-minute delay-off feature keeps hood running after cooking to ensure smoke and odors have cleared the environment, and the filter clean reminder helps ensure optimal performance.
- Integrated LED modules provide even lighting over the cooktop.
- Distinctive, aluminum mesh and stainless steel hybrid baffle filters effectively capture grease and are dishwasher-safe, making it easier to have a cleaner, odor-free kitchen.
- Code Ready™ Technology (CRT) provides ability to reduce airflow to 300 or 400 CFM to address local codes or make-up air requirements.
- Optional recirculation kit for non-ducted capability.
- Optional remote control allows the busy cook to stay in control from anywhere in the kitchen.

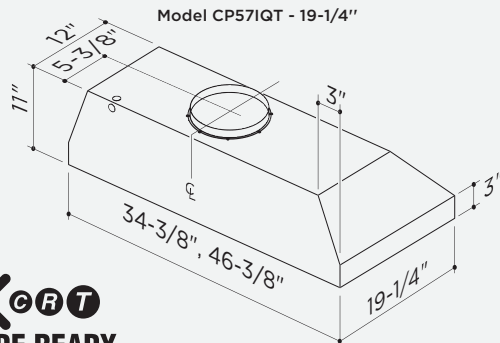
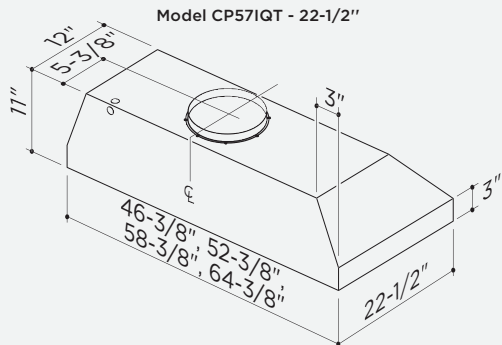
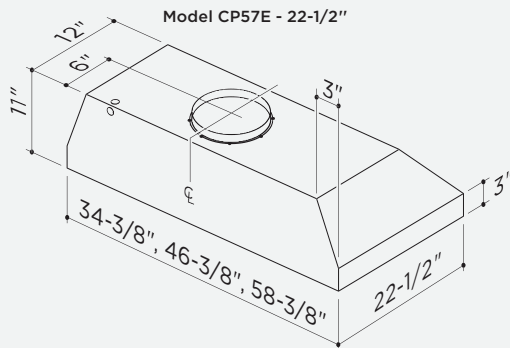
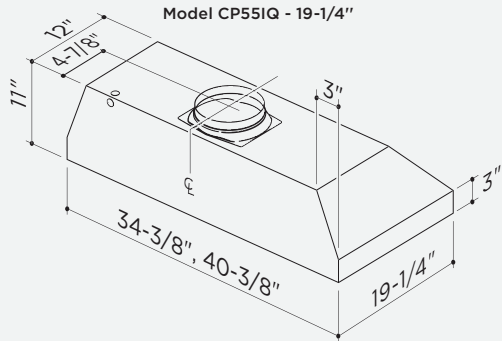


best[®]
PERFORMANCE THAT INSPIRES

At **BEST**, we make high performance range hoods that perform beautifully. Astonishingly quiet. Impressively effective. Remarkably efficient. And perfectly suited for the most distinguished kitchens.

Whether it's the centerpiece of the room or letting its surroundings shine, **BEST** is where high-end performance inspires.

Installation height above the cooking surface: 24"-30"



CR T
CODE READY.
TECHNOLOGY
 If needed, ask a recommended installer to limit discharge to 300 or 400 CFM.

HOOD SIZES*

Internal Blower, Single - Depth: 19-1/4"

36" CP55IQ369SB 42" CP55IQ429SB

Internal Blower, Dual - Depth: 19-1/4"

36" CP571QT369SB 48" CP571QT489SB

Internal Blower, Dual - Depth: 22-1/2"

48" CP571QT482SB 54" CP571QT542SB 60" CP571QT602SB
 66" CP571QT662SB

External (blower sold separately) - Depth: 22-1/2"

36" CP57E362SB 48" CP57E482SB 60" CP57E602SB

* For exact dimensions, please refer to the technical drawing of each model

FEATURES

Finish	Brushed Stainless Steel (Grade 430)
Lighting Type	LED 6W, 3000K
Number of Lamps	2 - on 36", 42" and 48" 4 - on 54", 60" and 66"
Lighting Levels	1
Lighting Lamps Included	Yes
Control Type	3-speed Plus Boost Electronic Pushbutton
Control Features	Heat Sentry™, Delay Off, Filter Clean Reminder
Remote Control	Optional ACR3
Filter Type	Hi-Flow Baffle
Non-ducted Capability	Yes for CP55

HOOD BLOWER INCLUDED CP55IQ CP571QT

Internal	iQ6 ¹	iQ12
Max Blower CFM*	800	1500

¹ If needed, ask a recommended installer to limit discharge to 300 or 400 CFM.

HOOD BLOWER OPTIONS (blower sold separately)

Refer to external blower's specification sheets for HVI performance (sones & CFM).

External In-line	ILB6	ILB9	ILB11
Max Blower CFM*	675	900	1500
External Exterior	EB9	EB15	
Max Blower CFM*	840	1650	

ACCESSORIES

Non-Duct Kit	ANKCP55 (use with CP55IQ only)
Non-Duct Filter	S97017930 (use with CP55IQ only)
Universal MUA Damper	MD6TU, MD8TU, MD10TU (Requires Fresh Air Inlet)
Fresh Air Inlet	641FA, 643FA, 610FA

INSTALLATION REQUIREMENTS

Amps @ 120V: Internal Blower	CP55IQ: 4.7, CP571QT: 8.3
Electrical Connection	Direct Wire
Duct Size: Internal Blower	iQ6: 8", iQ12: 10"
Duct Size: External Blower	10"
Duct Direction	Vertical
Backdraft Damper	Included

*MAX Blower CFM indicates the performance of the hood blower in open air.

99045170H 09/23

HVI PERFORMANCE

INTERNAL BLOWER - CP55IQ

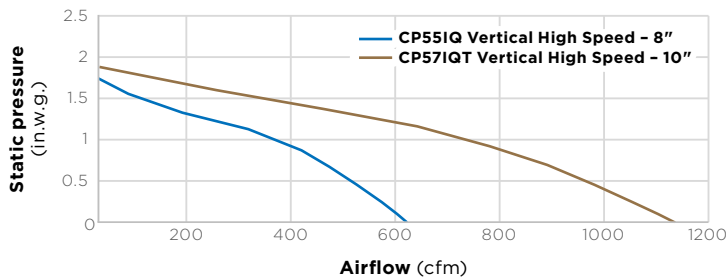
SONES				
Speed 1 <0.3	Speed 2* 2.0	Speed 3* 5.5	Speed 4 9.5	
CFM				
Speed 1 150	Speed 2* 290	Speed 3* 450	Boost 0.25 in. w.g. 560	Boost 0.1 in. w.g. 600

INTERNAL BLOWERS - CP57IQT

SONES				
Speed 1 0.3	Speed 2* 4.0	Speed 3* 7.0	Speed 4 11.0	
CFM				
Speed 1 290	Speed 2* 625	Speed 3* 875	Boost 0.25 in. w.g. 1050	Boost 0.1 in. w.g. 1100

* Where noted performance rating is not HVI certified but was established in accordance with HVI Standardized test procedure.

AIRFLOW PERFORMANCE



HVI-2100 CERTIFIED RATINGS comply with new testing technologies and procedures prescribed by the Home Ventilating Institute, for off-the-shelf products, as they are available to consumers. Product performance is rated at 0.1 and 0.25 in. static pressure at high speed based on tests conducted in an HVI-approved state-of-the-art test laboratory. Sones are a measure of humanly-perceived loudness, based on laboratory measurements..