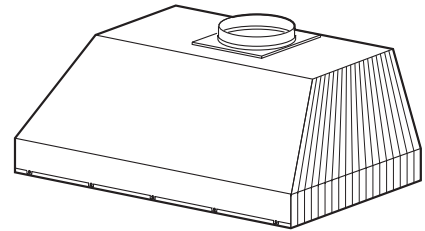


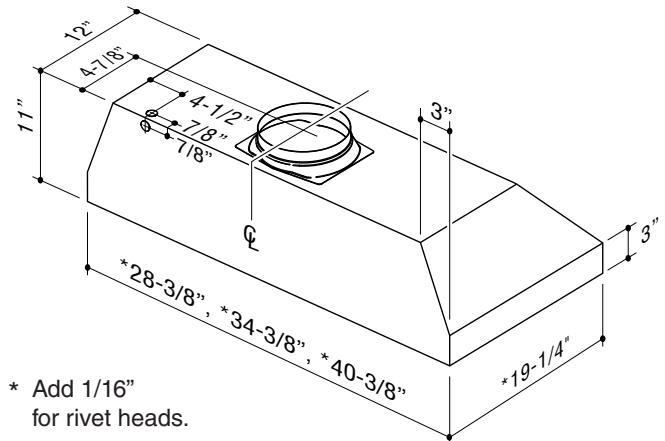
# CP35 SERIES RANGE HOODS



All-in-one design includes liner, blower, filtration, controls, lighting, and damper for easy installation into custom canopy hoods. Intended for all residential applications, including commercial-style cooking surfaces.

### FEATURES

- Cabinet mount - custom applications
- Finish: 430 Stainless Steel #4 Brushed
- Widths: 28-3/8", 34-3/8", 40-3/8"
- Depth: 19-1/4"
- 8" round duct connector with backdraft damper
- Two-setting cooktop lighting (Uses two 50W, GU10 halogen lamps. Bulbs included.)
- Easily accessible, dishwasher safe stainless steel baffle filters with handles
- Infinite speed rotary blower control with on-off rocker switch
- Powerful, centrifugal blower with high-efficiency motor produces 600 CFM
- Quiet, normal speed operation
- Heat Sentry™ - automatically turns blower to high speed when excess cooking heat is detected
- Compatible with the ARP8 CFM reducer kit to reduce CFM to 250-300
- For indoor use only



\* Add 1/16" for rivet heads.



HVI-2100 CERTIFIED RATINGS comply with new testing technologies and procedures prescribed by the Home Ventilating Institute, for off-the-shelf products, as they are available to consumers. Product performance is rated at 0.1 in. static pressure, based on tests conducted in a state-of-the-art test laboratory. Sones are a measure of humanly-perceived loudness, based on laboratory measurements.

### SPECIFICATIONS

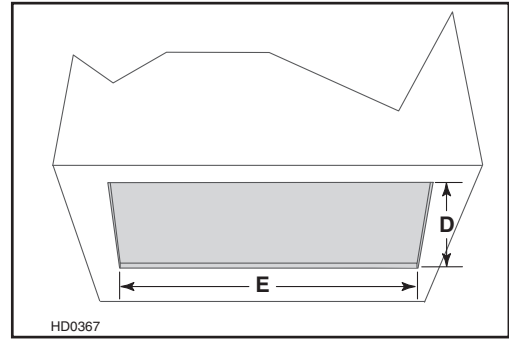
VOLTS	AMPS	CFM	SONES	DUCT
120	5.0	600 (high speed) 190 (low speed)	12.0 2.0	8" round

BEST Hartford, Wisconsin [www.BestRangeHoods.com](http://www.BestRangeHoods.com) 800-558-1711

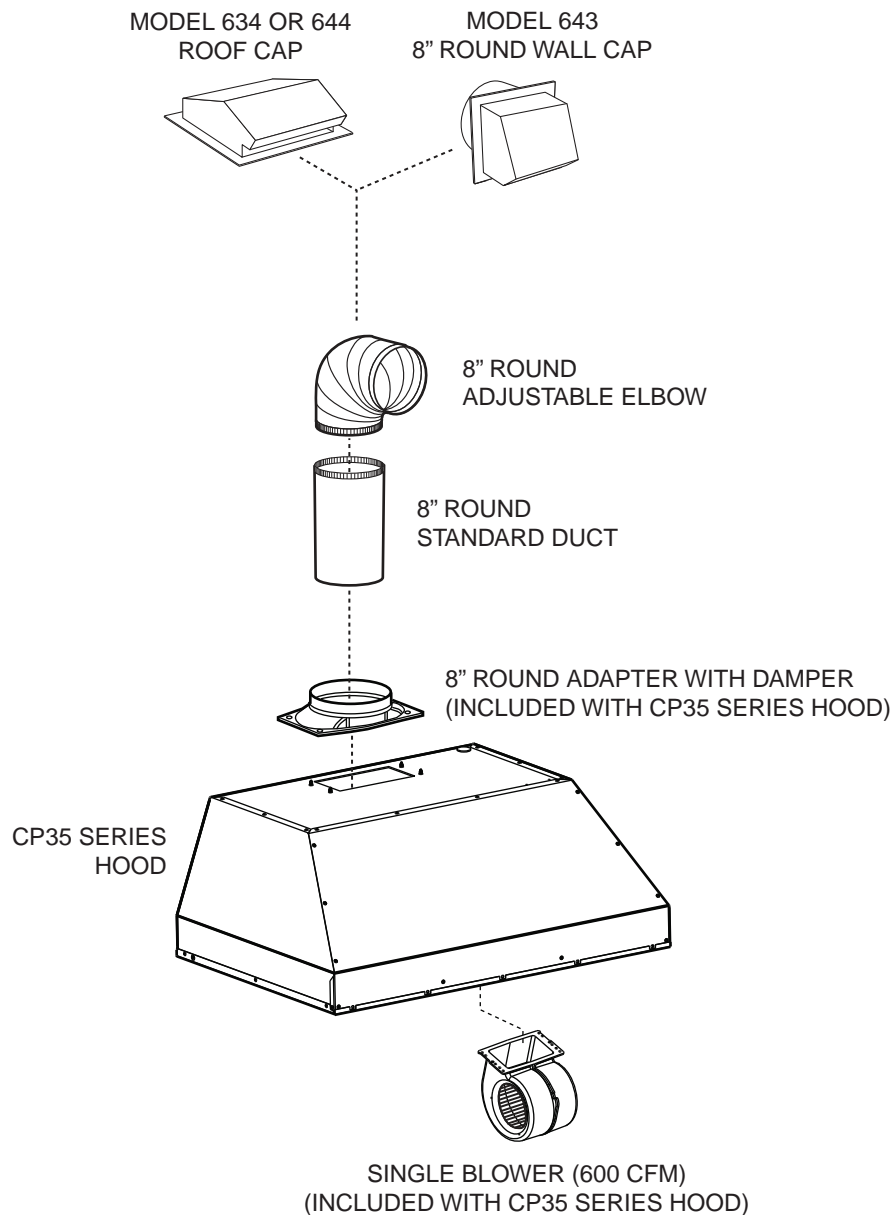
REFERENCE	QTY.	REMARKS	Project
			Location
			Architect
			Engineer
			Contractor
			Submitted by
			Date

To minimize the gap around the power pack, take actual width and depth measurements of power pack and add 1/16" to get **D** and **E** measurements. Cut the hole in the bottom of the cabinet according to dimensions. See chart and illustration for details.

POWER PACK MODEL	WIDTH	CUTOUT DIMENSIONS	
		D	E
CP35	30"	19 3/8"	28 1/2"
	36"	19 3/8"	34 1/2"
	42"	19 3/8"	40 1/2"



## CP35 SERIES HOOD SYSTEM



**best**<sup>®</sup>