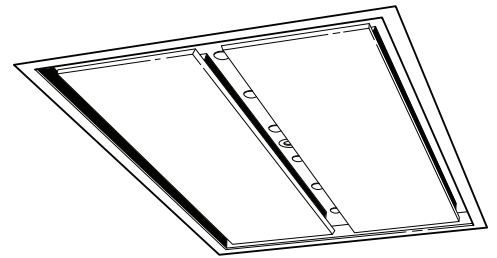


# CIRRUS CC34IQ RANGE HOOD



Today's open-living concepts integrate rooms and broad vistas. CIRRUS fits in with its linear, discrete, and virtually out of sight design that won't get in the way of any vista.

### FEATURES

- Italian design
- Ceiling mount
- Finishes: 430 brushed stainless steel #4
- Width: 110 cm (43-3/8")
- Ducted only
- 8" round duct connector/backdraft damper
- 1-level LED lighting (6 lamps included - 3 watts each)
- 4-speed electronic light touch control
- Remote control included (ACR2)
- Quiet, multi-speed iQ6 blower system with high-efficiency BLDC motor
- Delay timer control automatically shuts off range hood after 10 minutes
- Filter clean reminder
- Dishwasher-safe filters feature a quick-release latch
- For indoor use only

### OPTIONS

- Make-up Air Dampers (MD6T, MD8T, MD10T)
- White Glass Panels (AGPCC34W)

### SPECIFICATIONS

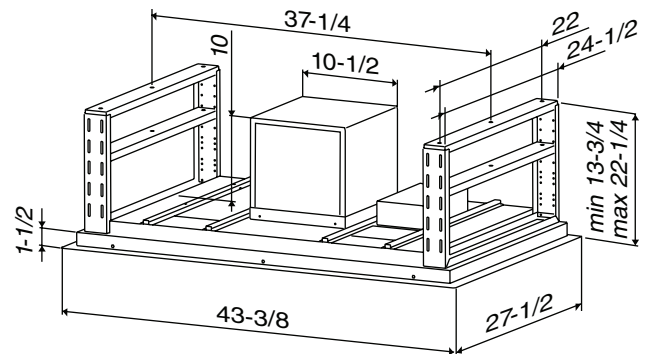
VOLTS	HZ	AMPS	CFM		SONES		DUCT
			MAX.	NORM.	MAX.	NORM.	
120	60	4.0	510	100	8.0	< 0.3	8" Round



HVI-2100 CERTIFIED RATINGS comply with new testing technologies and procedures prescribed by the Home Ventilating Institute, for off-the-shelf products, as they are available to consumers. Product performance is rated at 0.1 in. static pressure, based on tests conducted in a state-of-the-art test laboratory. Sones are a measure of humanly-perceived loudness, based on laboratory measurements.

### iQ6 - 600 CFM Blower System providing:

- Best in class quiet operation.
- Up to 30% faster smoke and odor removal than comparable models.
- Up to 22x more energy efficient than comparable models.
- Guaranteed Performance System (GPS) technology calibrates the hood system to every installation to provide up to 30% more CFM than standard range hoods.



BEST Hartford, Wisconsin [www.BestRangeHoods.com](http://www.BestRangeHoods.com) 800-558-1711  
 BEST Drummondville, QC, Canada [www.BestRangeHoods.com](http://www.BestRangeHoods.com) 866-737-7770

REFERENCE	QTY.	REMARKS	Project	
			Location	Architect
			Engineer	
			Contractor	
			Submitted by	Date