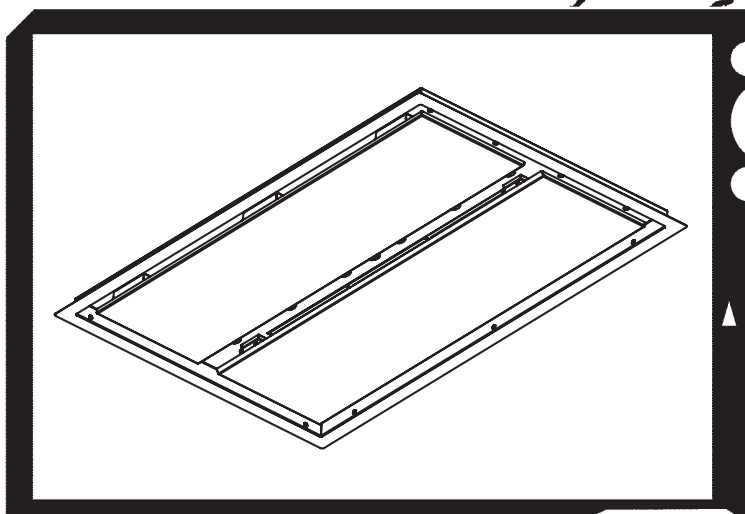


best®



Model CC34IQSB

ENGLISH.....	2
FRANÇAIS.....	17
ESPAÑOL.....	33

In USA - BEST Hartford, Wisconsin

In CANADA - BEST Drummondville, QC, Canada

REGISTER YOUR PRODUCT ONLINE AT : www.BestRangeHoods.com/register
For additional Information visit www.BestRangeHoods.com

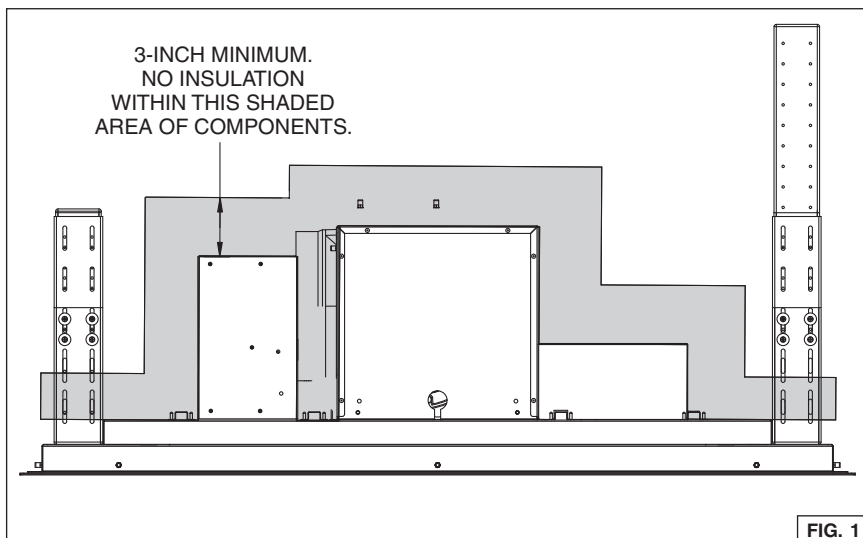
READ AND SAVE THESE INSTRUCTIONS

⚠ INTENDED FOR DOMESTIC COOKING ONLY ⚠

⚡ ⚠ WARNING

TO REDUCE THE RISK OF FIRE, ELECTRIC SHOCK, OR INJURY TO PERSONS, OBSERVE THE FOLLOWING:

1. Use this unit only in the manner intended by the manufacturer. If you have questions, contact the manufacturer at the address or telephone number listed in the warranty.
2. Before servicing or cleaning unit, switch power off at service panel and lock service panel to prevent power from being switched on accidentally. When the service disconnecting means cannot be locked, securely fasten a prominent warning device, such as a tag, to the service panel.
3. Installation work and electrical wiring must be done by a qualified person(s) in accordance with all applicable codes and standards, including fire-rated construction codes and standards.
4. Sufficient air is needed for proper combustion and exhausting of gases through the flue (chimney) of fuel burning equipment to prevent backdrafting. Follow the heating equipment manufacturer's guidelines and safety standards such as those published by the National Fire Protection Association (NFPA), and the American Society for Heating, Refrigeration and Air Conditioning Engineers (ASHRAE), and the local code authorities.
5. When cutting or drilling into wall or ceiling, do not damage electrical wiring and other hidden utilities.
6. Ducted fans must always be vented to the outdoors.
7. Do not use this unit with any separate solid-state speed control device.
8. To reduce the risk of fire, use only metal ductwork.
9. This unit must be grounded.
10. Type Non-IC Installation: Thermal insulation shall not cover top of range hood housing and must be spaced 3-inches (76mm) from all sides. (Fig. 1)



TO REDUCE THE RISK OF A RANGE TOP GREASE FIRE:

- A. Never leave surface units unattended at high settings. Boilovers cause smoking and greasy spillovers that may ignite. Heat oils slowly on low or medium settings.
- B. Always turn hood ON when cooking at high heat or when flambeing food (i.e. Crepes Suzette, Cherries Jubilee, Peppercorn Beef Flambe’).
- C. Clean ventilating fans frequently. Grease should not be allowed to accumulate on fan or filter.
- D. Use proper pan size. Always use cookware appropriate for the size of the surface element.

TO REDUCE THE RISK OF INJURY TO PERSONS IN THE EVENT OF A RANGE TOP GREASE FIRE, OBSERVE THE FOLLOWING:*

1. SMOTHER FLAMES with a close-fitting lid, cookie sheet, or metal tray, then turn off the burner. BE CAREFUL TO PREVENT BURNS. If the flames do not go out immediately, EVACUATE AND CALL THE FIRE DEPARTMENT.
2. NEVER PICK UP A FLAMING PAN - You may be burned.
3. DO NOT USE WATER, including wet dishcloths or towels - violent steam explosion will result.
4. Use an extinguisher ONLY if:
 - A. You know you have a Class ABC extinguisher and you already know how to operate it.
 - B. The fire is small and contained in the area where it started.
 - C. The fire department is being called.
 - D. You can fight the fire with your back to an exit.

* Based on “Kitchen Fire Safety Tips” published by NFPA.

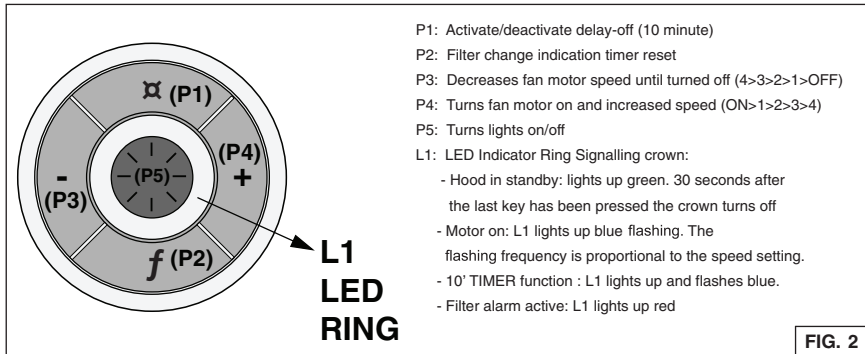
CAUTION

1. For indoor use only.
2. To reduce risk of fire and to properly exhaust air, be sure to duct air outside. Do not vent exhaust air into spaces within walls or ceilings or into attics, crawl spaces, or garages.
3. Take care when using cleaning agents or detergents.
4. Avoid using food products that produce flames under the Range Hood.
5. For general ventilating use only. Do not use to exhaust hazardous or explosive materials and vapors.
6. To avoid motor bearing damage and noisy and/or unbalanced impellers, keep drywall spray, construction dust, etc. off power unit.
7. Your hood motor has a thermal overload which will automatically shut off the motor if it becomes overheated. The motor will restart when it cools down. If the motor continues to shut off and restart, have the hood serviced.
8. For best capture of cooking impurities, the bottom of the hood should be a minimum of 48” and a maximum of 72” above the cooking surface. See “Install Mounting Bracket” section for mounting restrictions.
9. Two installers are recommended because of the large size and weight of this hood.
10. The light source is designed for this specific application and can overheat if serviced by untrained personnel. If any servicing is required, the product should be returned to an authorized service facility for examination or repair.
11. Please read specification label on product for further information and requirements.

OPERATION

Controls (Fig. 2)

The hood is operated using the (5) push-buttons located on the hood and the remote control. LED colors are displayed on hood control only.



(P1) Delay- Off Switch

- Your hood includes a 10 minute blower delay off switch. Press this switch once to activate the timer and the LED Ring (L1) flashes blue. The blower will continue to operate for 10 minutes. After 10 minutes, the blower turns off automatically.
- To cancel the 10-minute delay, press the delay switch once again.

(P2) Filter Alarm Switch

- After 30 hours of blower operation, the filter alarm is activated and the LED ring (L1) turns red/ flashes. It indicates that the grease filters need to be cleaned.
- After cleaning the grease filters, reset the hour counter by pressing the Filter Alarm/Timer Reset button (P2) during display of the alarm.

(P3) Blower Speed Decrease and Off Switch

- Press to decrease blower speed, high to low. The LED ring (L1) flashes blue at a speed proportionate to the blower setting (i.e.: four flashes is high speed, one flash is low speed, etc.)
- Continue pressing this switch to turn the blower off.

(P4) Blower Speed Increase and On Switch

- Press this switch to turn the blower on to low speed.
- Press again to increase blower speed, low to high. The LED ring (L1) flashes blue at a speed proportionate to the blower setting (i.e.: four flashes is high speed, one flash is low speed, etc.)

(P5) Light Switch

Turns the lights on and off.

Auto Shut-Off Feature



If the blower and/or the lights are on continuously for 10 hours without any user interaction with the controls, the hood will automatically shut off. Press any control button to re-activate the hood.

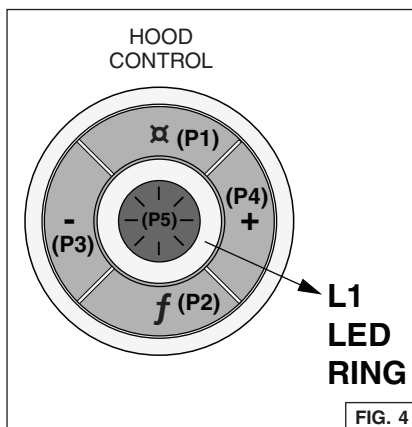
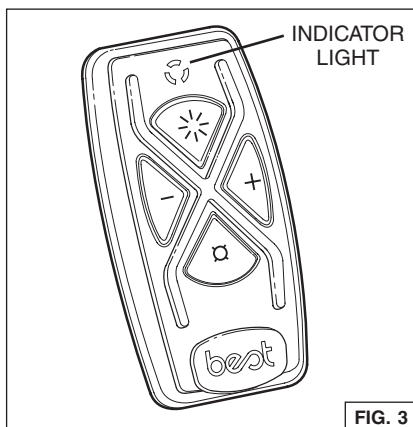
REMOTE CONTROL

The remote control is linked to the hood at the factory.





If, for some reason, the link is lost - follow the directions below:

To Link Remote Control to Hood

1. Turn off hood motor and hood lights.
2. Press  on the remote control for at least 3 seconds. The indicator light will light up. (Fig. 3)
3. While holding  on the remote control - press *f* (P2) on the hood control. (Fig. 4) The LED ring will light up GREEN for approximately 10 seconds to confirm that the linking process was successful.



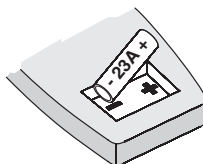
Remote Control Functions (Fig.3)

-  Delay - Off
-  Blower Speed Decrease and Off
-  Blower Speed Increase and On
-  Light

Note: Filter reset is not possible with the remote.

See "Controls" section on previous page for more information on each function.

CAUTION RISK OF EXPLOSION IF BATTERY IS REPLACED BY AN INCORRECT TYPE. DISPOSE OF USED BATTERY TO THE INSTRUCTION.



Battery disposal

When the batteries need to be replaced, dispose of them only and exclusively in the numerous readily available special waste bins, especially in shops selling electronic consumer goods. Observance of the regulations on differentiated waste collection, in particular, proper disposal of used batteries, contributes to preventing possible negative effects on the environment and health.

CLEANING AND MAINTENANCE

Proper maintenance of the Range Hood will assure proper performance of the unit.

Motor

The motor is permanently lubricated and never needs oiling. If the motor bearings make excessive or unusual noise, replace the motor with the exact service motor. The impeller should also be replaced.

Grease Filters

The grease filters should be cleaned frequently. Use a warm detergent solution. Grease filters are dishwasher safe.

Clean all-metal filters in the dishwasher using a non-phosphate detergent. Discoloration of the filter may occur if using phosphate detergents, or as a result of local water conditions - but this will not affect filter performance. This discoloration is not covered by the warranty.

See "INSTALL FILTERS" section for removal and installation instructions.

Stainless Steel Cleaning

DO:

- Regularly wash with clean cloth or rag soaked with warm water and mild soap or liquid dish detergent.
- Always clean in the direction of original polish lines.
- Always rinse well with clear water (2 or 3 times) after cleaning. Wipe dry completely.
- You may also use a specialized household stainless steel cleaner.

DON'T:

- Use any steel or stainless steel wool or any other scrapers to remove stubborn dirt.
- Use any harsh or abrasive cleansers.
- Allow dirt to accumulate.
- Let plaster dust or any other construction residues reach the hood. During construction/renovation, cover the range hood to make sure no dust sticks to the stainless steel surface.

Avoid: When choosing a detergent

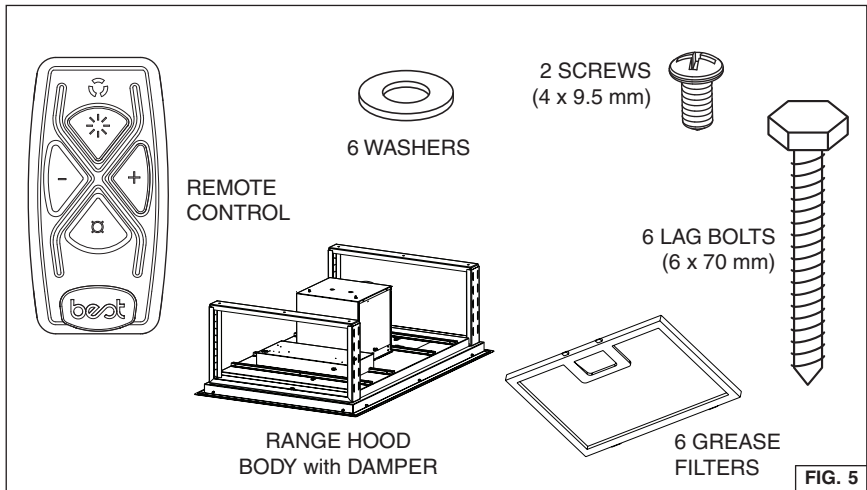
- Any cleaners that contain bleach will attack stainless steel
- Any products containing: chloride, fluoride, iodide, bromide will deteriorate surfaces rapidly.
- Any combustible products used for cleaning such as acetone, alcohol, ether, benzol, etc., are highly explosive and should never be used close to a range.

PREPARE THE HOOD

Unpack hood and check contents.

You should receive:

- 1 - Range Hood Body
- 1 - Remote Control
- 6 - Grease Filters
- 2 - Screws, 4 x 9.5 mm
- 6 - Lag Bolts, 6 x 70 mm
- 6 - Washers



INSTALL THE DUCTWORK

WARNING: To reduce the risk of fire, use only metal ductwork.

1. Decide where the ductwork will run between the hood and the outside. Fig. 6.
2. A straight, short duct run will allow the hood to perform most efficiently.
3. Long duct runs, elbows, and transitions will reduce the performance of the hood. Use as few of them as possible. Larger ducting may be required for best performance with longer duct runs.

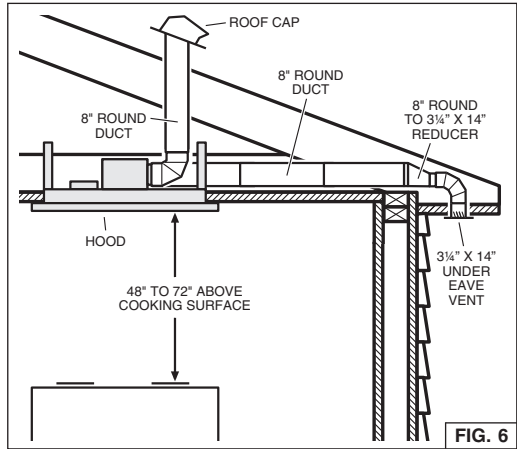


FIG. 6

4. Install a roof cap, wall cap, or under-eave vent. Connect round metal ductwork to cap/vent and work back towards hood location. Use duct tape to seal the joints between ductwork sections.
5. The blower can be rotated according to the air outlet location. See Fig. 7 for air outlet dimensions.

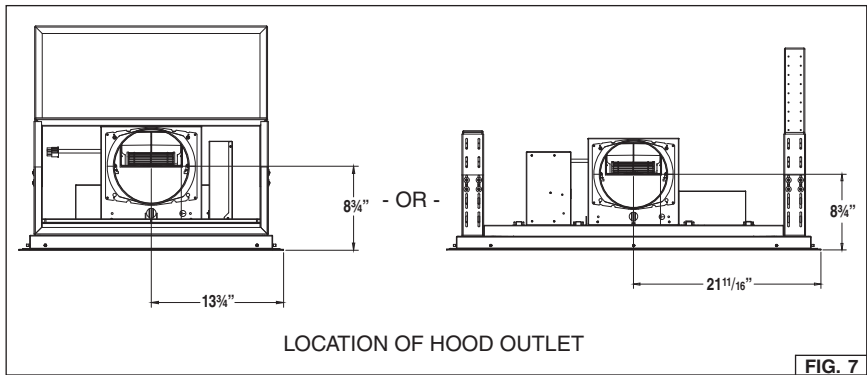
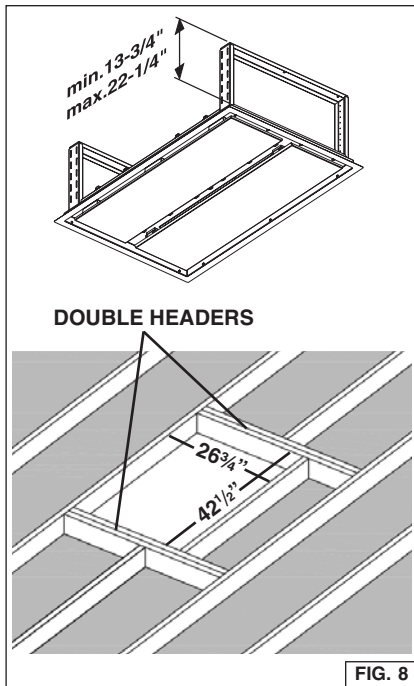


FIG. 7

PREPARE THE CEILING OPENING

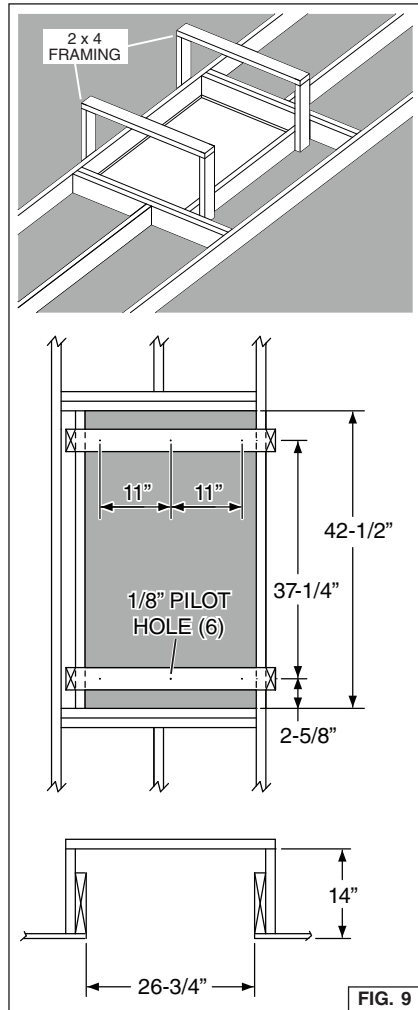
The hood should always be centered over the cooktop. Make sure there is adequate space in the ceiling structure to install the hood and ductwork. The hood should be mounted 48" to 72" above the cook top for best removal of cooking impurities. Fig 6.

Use joist size lumber to frame in around the range hood opening. The ceiling structure must be able to support the weight of the hood (64 pounds). Fig 8.



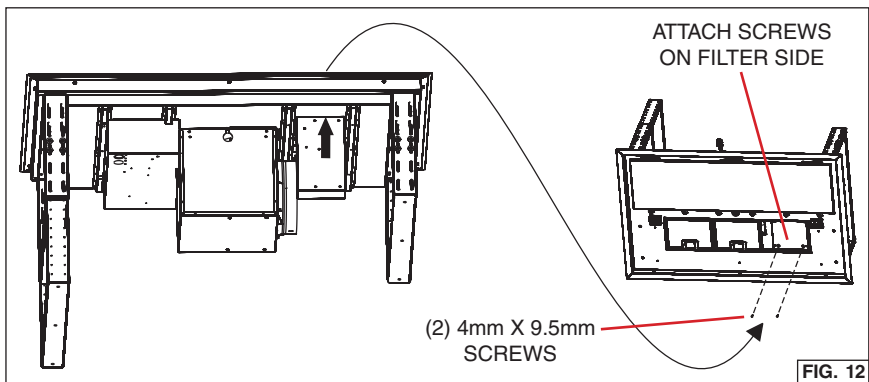
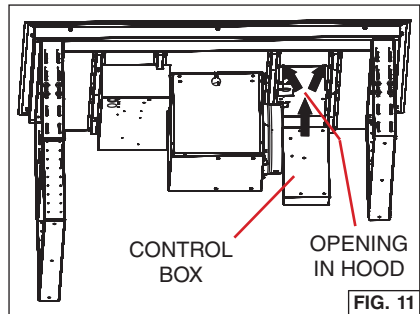
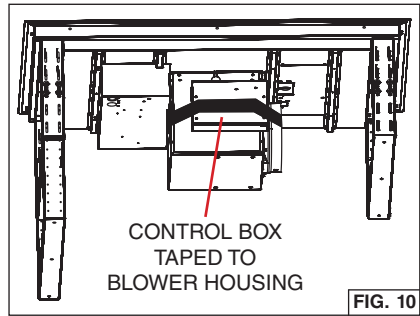
PREPARE THE HOOD SUPPORT

1. Construct a wood framing system as shown in Fig. 9.
2. The structure must be capable of supporting its own weight, plus the weight of the hood (64 pounds).



ATTACH CONTROL BOX

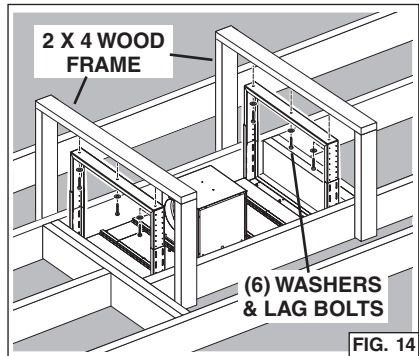
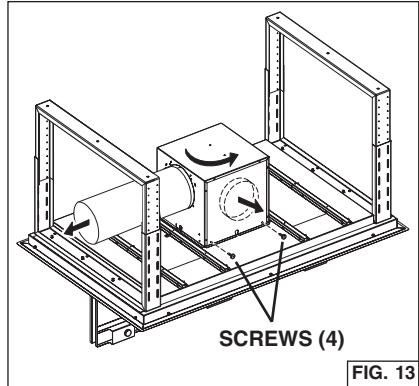
1. Remove control box from side of blower box. Fig. 10.
2. Insert control box into opening. Fig. 11.
3. Attach control box with (2) 4 x 9.5 mm screws provided. Fig. 12.



INSTALL THE HOOD

⚠ CAUTION: At least two installers are recommended because of the large size and weight of this range hood.

1. Hood is shipped in the horizontal duct discharge position and is ready to be installed.
2. To change direction of the duct without using elbows. Fig. 13:
 - Remove (2) screws from inside of blower box.
 - Remove (4) screws from sides of blower box.
 - Remove blower, turn blower 90 degrees, reinstall (4) screws.
3. Lift range hood into the ceiling opening.
4. Secure each support frame to the wooden hood support frame using (6) 6 x 70 mm lag bolts and washers provided. Fig. 14.
5. Adjust height of the telescoping support frame to ensure a tight fit between the hood and finished ceiling.
6. At the blower discharge collar, connect ductwork that exhausts air to the outside discharge.
7. Duct tape all joints to ensure an air tight seal.

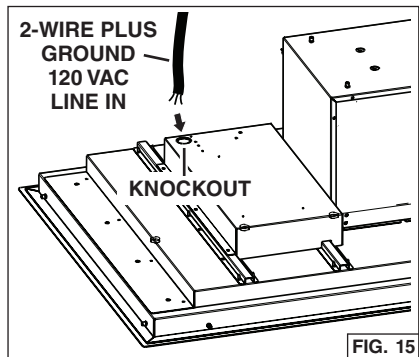


CONNECT THE WIRING

⚡ ⚠ WARNING: All electrical wiring should be done by a qualified person (s) in accordance with all applicable codes and standards. This range hood must be properly grounded.

Do not turn blower on at the service panel until all wires have been connected.

1. Run 2-wire plus ground, 120 VAC electrical power cable to the $\frac{3}{4}$ " knockout located on the back of the hood. Fig. 15.
2. Remove $\frac{3}{4}$ " electrical knockout from the back of the hood.



3. From the room interior, pull down both closure panels. Fig. 16.
4. Remove (4) screws from the electrical compartment access panel. Slide the panel sideways to expose the electrical wiring box.
5. From the electrical box marked "120 VAC Inlet," remove (2) screws that secure the cover to the metal wiring box. Fig. 17.
6. Pull 120VAC electrical power cable into the box and secure with an appropriate cable clamp.
7. Make electrical connections inside the box. Connect white-to-white, black-to-black and green-to-ground.
8. Replace the wiring box cover and the screws. Make sure wires are not pinched between the cover and box.
9. Replace the electrical compartments access panel and (4) screws.

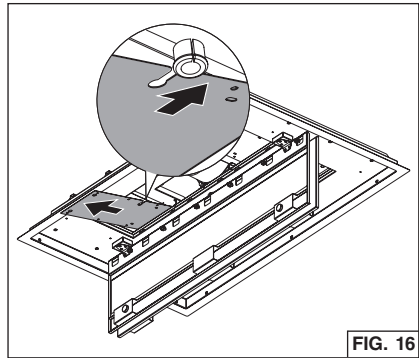


FIG. 16

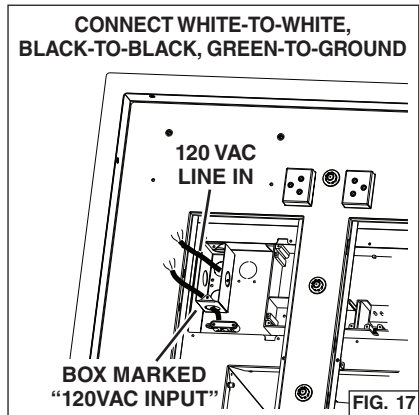


FIG. 17

MAKE-UP AIR DAMPER

The hood is compatible with Broan Make-Up Air Damper Model MD6T, Model MD8T or Model MD10T (optional). Purchase separately.

Make the connection to the Make-Up Air Damper with low voltage wiring, as shown. See Make-Up Air Damper instructions for additional information. (Fig. 18)

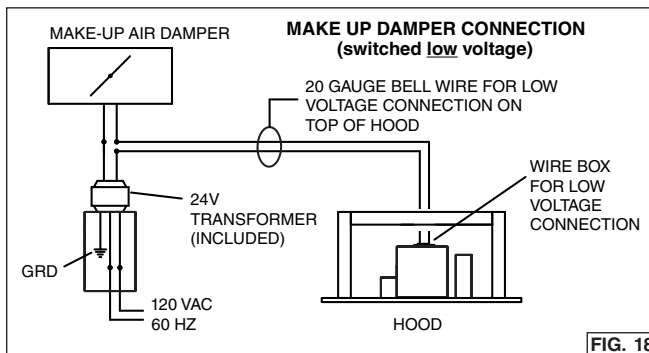
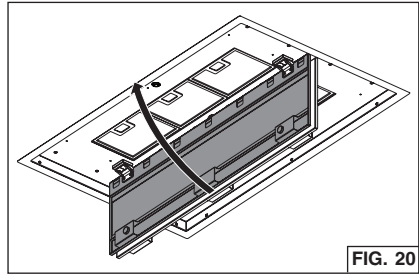
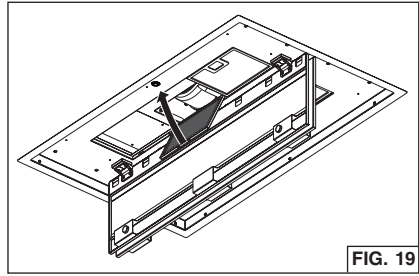


FIG. 18

INSTALL THE FILTERS

1. Pull down both closure panels as shown. Fig. 19 and Fig. 20.
2. To install the grease filters, align rear filter tabs with slots in the hood. Push latch tab in, push filter into position and release. Make sure filter is securely engaged after installation.
3. To remove the filters for cleaning, push latch tab in to disengage filter from hood. Tilt the filter downward and remove.



CALIBRATE IQ BLOWER SYSTEM™

INTERNAL BLOWER DUCTED UNITS ONLY

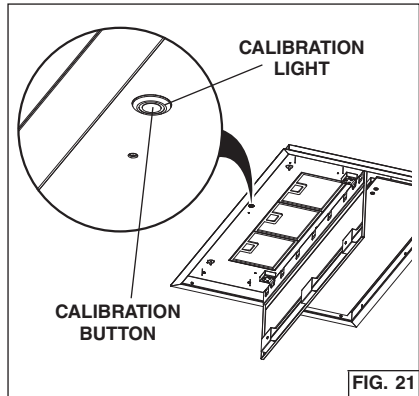
After the hood is installed and wired, engage the calibration process (our Guaranteed Performance System Technology to ensure full-rated airflow is being delivered). Prior to calibration, ensure that all filters and the duct system are installed.

CALIBRATION PROCESS Fig. 21.

Open the bottom panel. Hold the calibration button for 3 seconds and the calibration button will light up. Close the bottom panel. The blower will start and begin the calibration process - which will take approximately 13 minutes. When calibration is complete, one of two things will occur:

- A. The blower turns off and calibration button light turns off = Successful calibration.
- B. The blower turns off and calibration button light blinks continuously = Too much restriction in the ductwork is preventing the IQ Blower System™ from achieving the rated airflow. The blower is automatically set to maximum intensity.

NOTE: Common items that cause restrictions: restricted damper flap (backdraft damper, wall cap, roof cap), too many elbows, duct size less than 80% of hood outlet, poor transition,



use of flex ducting and/or crushed ducting.

Two options are available:

1. Press the calibration button to accept airflow as is. The IQ Blower System™ is now configured to its highest possible setting. The blinking calibration light goes out.
2. Correct duct restriction and repeat the calibration process.
 - a. To clear the original calibration data, hold calibration button for 10 seconds. The light will blink 3 times to confirm and the blower configuration will go back to default settings.
 - b. Repeat calibration process.

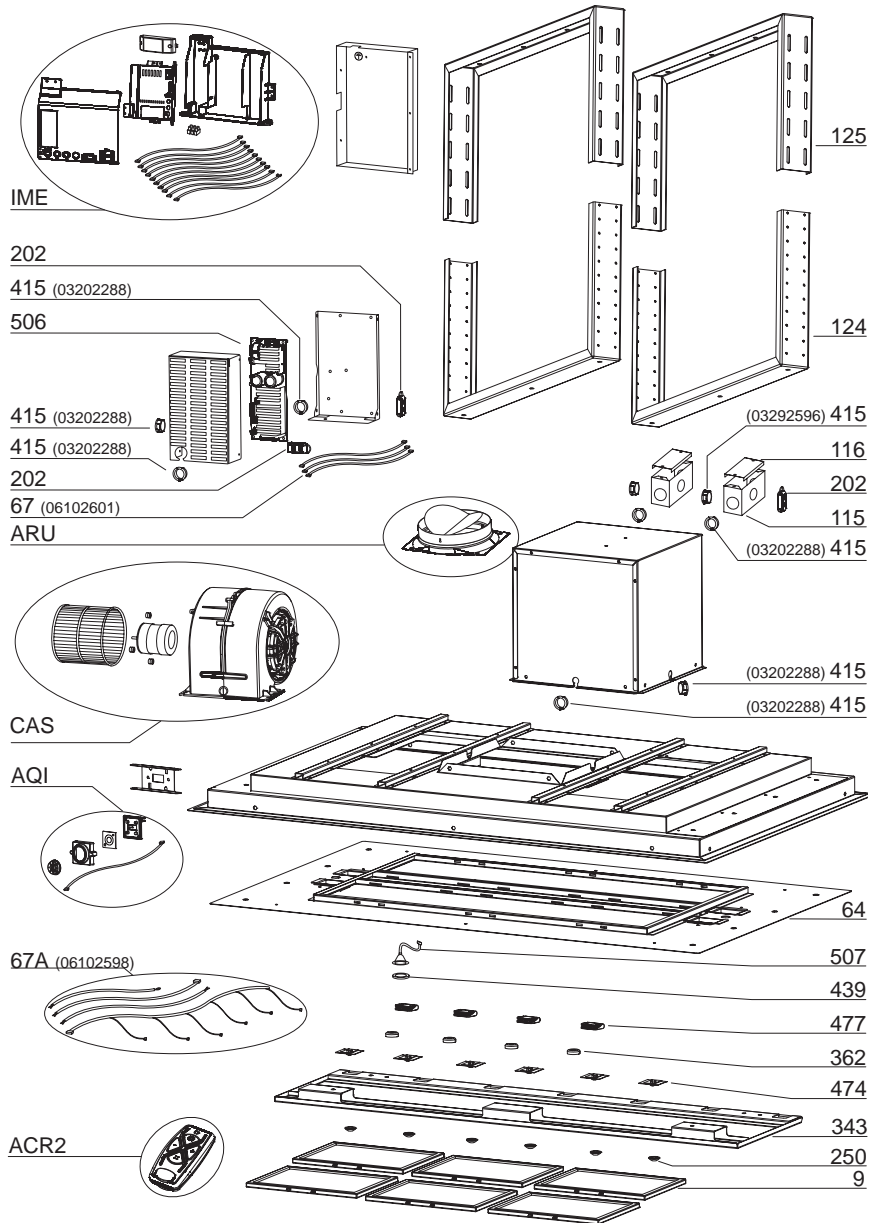
SERVICE PARTS

Model CC34IQSB

KEY NO.	DESCRIPTION	PART NO.
CAS	BLOWER ASSEMBLY	06002259
506	BLDC DRIVER	97019431
67	WIRES	06102601
202	WIRE CLAMP	03292290
415	BUSHING	03202288
IME	ELECTRICAL INSTALLATION ASSEMBLY	06145222
67A	WIRES	06102598
115	FEEDER CABLE CONNECTION BOX	E3350233
415	BUSHING	03292596
116	FEEDER CABLE CONNECTION BOX COVER	E3351530
125	UPPER TELESCOPIC SKELETON	08092797
124	BOTTOM TELESCOPIC SKELETON	E3404965
64	BOTTOM BRACKET	03115251
507	CALIBRATION BUTTON ASSEMBLY	06102584
439	GROMMET	02320034
474	LED LIGHT	02300885
250	RING NUT	02011389
AQI	SWITCH BOX ASSEMBLY	06102585
343	CLOSURE PANEL	08093076
477	HINGE	02011376
362	DISPLAY VISOR SPRING	02011421
9	GREASE FILTER	08087804
ARU	CONNECTION AIR OUTLET SET	08092501
ACR2	REMOTE CONTROL	08999166
	HARDWARE	080810994
	INSTALLATION INSTRUCTIONS	080813623

SERVICE PARTS

Model CC34IQSB



WARRANTY

Limited Warranty

Warranty Period and Exclusions: Broan-NuTone LLC (the "Company") warrants to the original consumer purchaser of its product ("you") that the product (the "Product") will be free from material defects in the Product or its workmanship for a period of one (1) year from the date of original purchase.

The limited warranty period for any replacement parts provided by the Company and for any Products repaired or replaced under this limited warranty shall be the remainder of the original warranty period.

This warranty does not cover fluorescent lamp starters, tubes, halogen and incandescent bulbs, fuses, filters, ducts, roof caps, wall caps and other accessories for ducting that may be purchased separately and installed with the Product. This warranty also does not cover (a) normal maintenance and service, (b) normal wear and tear, (c) any Products or parts which have been subject to misuse, abuse, abnormal usage, negligence, accident, improper or insufficient maintenance, storage or repair (other than repair by the Company), (d) damage caused by faulty installation, or installation or use contrary to recommendations or instructions, (e) any Product that has been moved from its original point of installation, (f) damage caused by environmental or natural elements, (g) damage in transit, (h) natural wear of finish, (i) Products in commercial or nonresidential use, or (j) damage caused by fire, flood or other act of God. This warranty covers only Products sold to original consumers in the United States by the Company or U.S. distributors authorized by the Company.

This warranty supersedes all prior warranties and is not transferable from the original consumer purchaser.

No Other Warranties: This Limited Warranty contains the Company's sole obligation and your sole remedy for defective products. The foregoing warranties are exclusive and in lieu of any other warranties, express or implied. THE COMPANY DISCLAIMS AND EXCLUDES ALL OTHER EXPRESS WARRANTIES, AND DISCLAIMS AND EXCLUDES ALL WARRANTIES IMPLIED BY LAW, INCLUDING WITHOUT LIMITATION THOSE OF MERCHANTABILITY AND FITNESS FOR A PARTICULAR PURPOSE. To the extent that applicable law prohibits the exclusion of implied warranties, the duration of any applicable implied warranty is limited to the period specified for the express warranty above. Some states do not allow limitations on how long an implied warranty lasts, so the above limitation may not apply to you. Any oral or written description of the Product is for the sole purpose of identifying it and shall not be construed as an express warranty.

Whenever possible, each provision of this Limited Warranty shall be interpreted in such manner as to be effective and valid under applicable law, but if any provision is held to be prohibited or invalid, such provision shall be ineffective only to the extent of such prohibition or invalidity, without invalidating the remainder of such provision or the other remaining provisions of the Limited Warranty.

Remedy: During the applicable limited warranty period, the Company will, at its option, provide replacement parts for, or repair or replace, without charge, any Product or part thereof, to the extent the Company finds it to be covered by and in breach of this limited warranty under normal use and service. The Company will ship the repaired or replaced Product or replacement parts to you at no charge. You are responsible for all costs for removal, reinstallation and shipping, insurance or other freight charges incurred in the shipment of the Product or part to the Company. If you must send the Product or part to the Company, as instructed by the Company, you must properly pack the Product or part—the Company is not responsible for damage in transit. The Company reserves the right to utilize reconditioned, refurbished, repaired or remanufactured Products or parts in the warranty repair or replacement process. Such Products and parts will be comparable in function and performance to an original Product or part and warranted for the remainder of the original warranty period.

Exclusion of Damages: THE COMPANY'S OBLIGATION TO PROVIDE REPLACEMENT PARTS, OR REPAIR OR REPLACE, AT THE COMPANY'S OPTION, SHALL BE YOUR SOLE AND EXCLUSIVE REMEDY UNDER THIS LIMITED WARRANTY AND THE COMPANY'S SOLE AND EXCLUSIVE OBLIGATION. THE COMPANY SHALL NOT BE LIABLE FOR INCIDENTAL, INDIRECT, CONSEQUENTIAL OR SPECIAL DAMAGES ARISING OUT OF OR IN CONNECTION WITH THE PRODUCT, ITS USE OR PERFORMANCE.

Some states do not allow the exclusion or limitation of incidental or consequential damages, so the above limitation or exclusion may not apply to you. This warranty gives you specific legal rights, and you may also have other rights, which vary from state to state.

This warranty covers only replacement or repair of defective Products or parts thereof at the Company's main facility and does not include the cost of field service travel and living expenses.

Any assistance the Company provides to or procures for you outside the terms, limitations or exclusions of this limited warranty will not constitute a waiver of such terms, limitations or exclusions, nor will such assistance extend or revive the warranty.

The Company will not reimburse you for any expenses incurred by you in repairing or replacing any defective Product, except for those incurred with the Company's prior written permission.

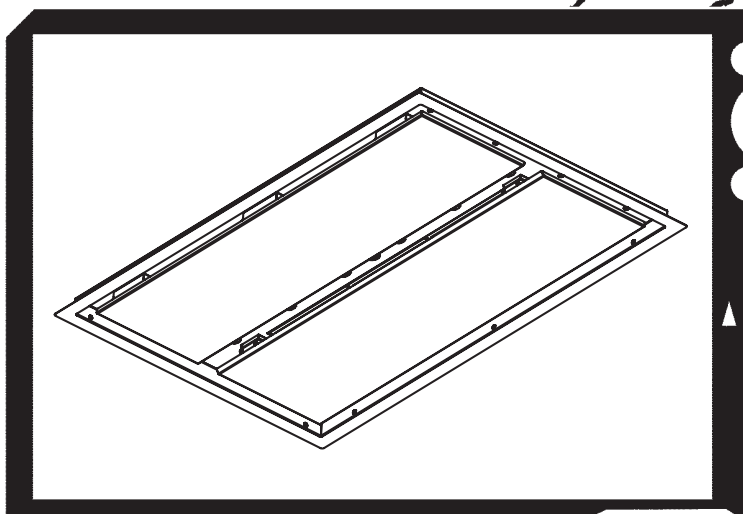
How to Obtain Warranty Service: To qualify for warranty service, you must (a) notify the Company at the address or telephone number stated below within seven (7) days of discovering the covered defect, (b) give the model number and part identification and (c) describe the nature of any defect in the Product or part. At the time of requesting warranty service, you must present evidence of the original purchase date. If you cannot provide a copy of the original written limited warranty, then the terms of the Company's most current written limited warranty for your particular product will control. The most current limited written warranties for the Company's products can be found at www.BestRangeHoods.com.

In USA - BEST® Hartford, Wisconsin 800-558-1711

In Canada - BEST® Drummondville, QC 866-737-7770

www.BestRangeHoods.com

best®



Modèle CC34IQSB

ENGLISH.....	2
FRANÇAIS.....	17
ESPAÑOL.....	33

Aux États-Unis - BEST Hartford, Wisconsin
Au CANADA - BEST Drummondville, QC, Canada

ENREGISTREZ VOTRE PRODUIT EN LIGNE À : www.BestRangeHoods.com/register
Pour de plus amples informations, visitez www.BestRangeHoods.com

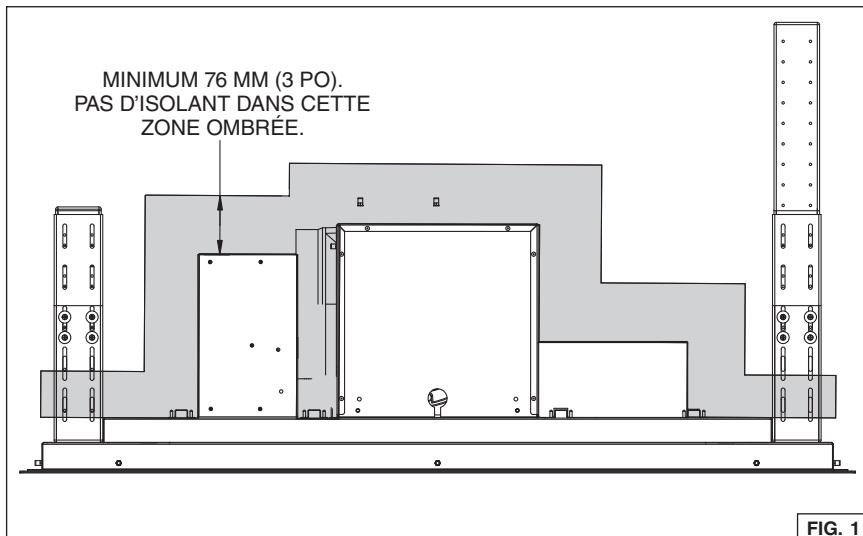
LIRE CES DIRECTIVES ET LES CONSERVER

! POUR USAGE DOMESTIQUE SEULEMENT !

⚡ ⚠ AVERTISSEMENT

OBSERVEZ LES DIRECTIVES CI-DESSOUS AFIN DE RÉDUIRE LES RISQUES D'INCENDIE, DE CHOC ÉLECTRIQUE OU DE BLESSURES CORPORELLES :

1. N'utilisez cet appareil que de la manière prévue par le fabricant. Si vous avez des questions, communiquez avec le fabricant à l'adresse ou au numéro de téléphone indiqués dans la garantie.
2. Avant de procéder à la réparation ou à l'entretien de l'appareil, coupez l'alimentation du panneau électrique et verrouillez l'interrupteur principal afin d'empêcher que le courant ne soit accidentellement rétabli. S'il est impossible de verrouiller l'interrupteur principal, fixez solidement un message d'avertissement, par exemple une étiquette, sur le panneau électrique.
3. La pose de l'appareil et les travaux d'électricité doivent être effectués par des personnes qualifiées conformément à la réglementation en vigueur, notamment les normes de la construction ayant trait à la protection contre les incendies.
4. Pour éviter les refoulements, l'apport d'air doit être suffisant pour brûler les gaz produits par les appareils à combustion et les évacuer dans le conduit de fumée (cheminée). Respectez les directives du fabricant de l'appareil de chauffage et les normes de sécurité, notamment celles publiées par la National Fire Protection Association (NFPA), l'American Society for Heating, Refrigeration and Air Conditioning Engineers (ASHRAE) et les codes des autorités locales.
5. Veillez à ne pas endommager le câblage électrique ou d'autres équipements non apparents lors de la découpe ou du perçage du mur ou du plafond.
6. Les ventilateurs canalisés doivent toujours rejeter l'air à l'extérieur.
7. N'utilisez pas de commande de régime à semi-conducteurs conjointement avec cet appareil.
8. Pour réduire les risques d'incendie, utilisez seulement des conduits en métal.
9. Cet appareil doit être relié à une mise à la terre.
10. Type d'installation non-IC : L'isolant thermique de la maison ne doit pas couvrir le haut de la hotte et doit être à au moins 76 mm (3 po) du boîtier de tout côté. (Fig. 1)



POUR RÉDUIRE LES RISQUES D'INCENDIE CAUSÉS PAR DE LA GRAISSE SUR LE PLAN DE CUISSON :

- A. Ne laissez jamais les éléments de surface allumés à haute température. Les débordements peuvent causer de la fumée et occasionner des écoulements de graisse inflammables. L'huile doit être chauffée graduellement à basse ou à moyenne température.
- B. Mettez toujours la hotte en MARCHÉ lors de la cuisson à feu vif ou lors de la cuisson d'aliments à flamber (par ex., crêpes Suzette, cerises jubilé, bœuf au poivre flambé).
- C. Nettoyez souvent les ventilateurs. Ne laissez pas la graisse s'accumuler sur le ventilateur ou les filtres.
- D. Utilisez des casseroles de dimension appropriée. Utilisez toujours une batterie de cuisine adaptée à la dimension de la surface chauffante.

OBSERVEZ LES CONSIGNES SUIVANTES DE MANIÈRE À RÉDUIRE LES RISQUES DE BLESSURES CORPORELLES EN CAS D'INCENDIE CAUSÉ PAR DE LA GRAISSE SUR LE PLAN DE CUISSON* :

1. **ÉTOUFFEZ LES FLAMMES** à l'aide d'un couvercle étanche, d'une tôle à biscuits ou d'un plateau en métal puis éteignez le brûleur. FAITES ATTENTION DE NE PAS VOUS BRÛLER. Si les flammes ne s'éteignent pas immédiatement, QUITTEZ LES LIEUX ET APPELEZ LE SERVICE DES INCENDIES.
2. **NE SOULEVEZ JAMAIS UNE CASSEROLE EN FLAMMES** - vous pourriez vous brûler.
3. **N'UTILISEZ PAS D'EAU**, ni de serviettes ou de linges mouillés – une violente explosion de vapeur pourrait survenir.
4. Utilisez un extincteur **SEULEMENT** si :
 - A. Vous savez qu'il est de classe ABC et vous connaissez déjà son mode de fonctionnement.
 - B. L'incendie n'est pas très important et ne se propage pas.
 - C. Les pompiers ont été avisés.
 - D. Vous pouvez combattre l'incendie en faisant dos à une sortie.

* Conseils tirés de la publication de la NFPA « Kitchen Fire Safety Tips ».

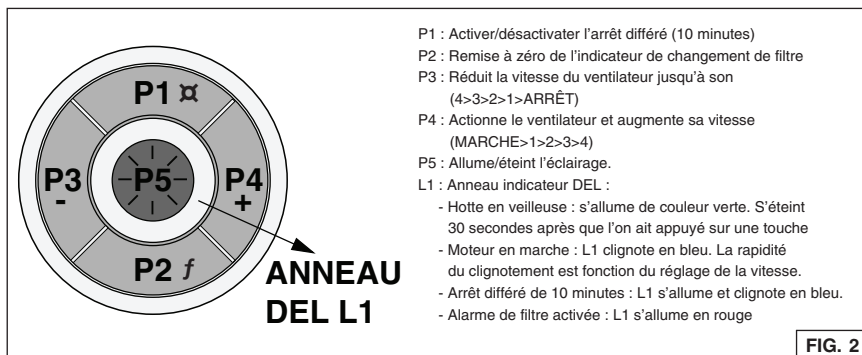
ATTENTION

1. Pour usage intérieur seulement.
2. Pour réduire les risques d'incendie et évacuer l'air correctement, assurez-vous qu'il est canalisé à l'extérieur. N'évacuez pas l'air dans des espaces enfermés par des murs ou un plafond ou dans un grenier, un vide sanitaire ou un garage.
3. Faites attention lorsque vous utilisez des agents nettoyants ou des détergents.
4. Évitez d'utiliser des produits alimentaires pouvant produire des flammes sous la hotte.
5. Pour ventilation générale uniquement. N'utilisez pas cet appareil pour évacuer des matières ou des vapeurs dangereuses ou explosives.
6. Pour éviter d'endommager les roulements de moteur, de déséquilibrer les pales ou de les rendre bruyantes, débarrassez l'appareil de la poussière de plâtre, de construction, etc.
7. Le moteur de la hotte est muni d'un dispositif de protection thermique qui coupe automatiquement le moteur en cas de surchauffe. Il se remet en marche lorsqu'il a refroidi. Faites réparer la hotte si le moteur continue à fonctionner par intermittence.
8. Pour mieux capter les vapeurs de cuisson, le bas de la hotte doit être au minimum à 122 cm (48 po) et au maximum à 183 cm (72 po) de la surface de cuisson. Pour les restrictions s'appliquant au montage, voir la section « Installation de la bride de montage ».
9. Il est recommandé d'avoir deux installateurs, compte tenu de la taille et du poids de cette hotte.
10. La source d'éclairage est conçue pour cette application particulière et peut surchauffer si elle est réparée par un personnel sans formation. Si une réparation est nécessaire, le produit doit être retourné à un centre de service agréé pour être examiné ou réparé.
11. Veuillez lire l'étiquette de spécifications du produit pour obtenir plus de renseignements, notamment sur les exigences.

FONCTIONNEMENT

Commandes (Fig. 2)

La hotte fonctionne à l'aide de (5) boutons-poussoirs situés sur la hotte et sur la télécommande. Les couleurs des DEL sont affichées uniquement sur les commandes de la hotte.



(P1) Interrupteur d'arrêt différé

- Votre hotte comprend un interrupteur pour l'arrêt différé de 10 minutes. Appuyez une fois pour activer la minuterie d'arrêt différé et l'anneau DEL (L1) se met à clignoter en bleu. Le ventilateur continuera de fonctionner pendant dix minutes. Après dix minutes, le ventilateur s'arrêtera automatiquement.
- Pour annuler l'arrêt différé de dix minutes, appuyez de nouveau sur l'interrupteur.

(P2) Interrupteur d'alarme de filtre

- Après 30 heures de fonctionnement du ventilateur, l'alarme de filtre s'active et l'anneau DEL (L1) se met à clignoter en rouge. Cela indique que les filtres à graisses doivent être nettoyés.
- Une fois ceux-ci nettoyés, appuyez sur le bouton de remise à zéro de l'indicateur de changement de filtre (P2) pendant l'affichage de l'alarme.

(P3) Bouton de réduction de la vitesse du ventilateur et d'arrêt

- Appuyez pour réduire la vitesse du ventilateur. La vitesse de clignotement de l'anneau DEL (L1) en bleu est fonction du réglage choisi (par ex. : quatre clignotements correspondent au régime maximal, un clignotement au régime lent, etc.)
- Pour arrêter le ventilateur, continuez d'appuyer sur l'interrupteur.

(P4) Bouton de mise en marche et d'augmentation de la vitesse du ventilateur

- Appuyez une fois pour mettre le ventilateur en marche au régime le plus lent.
- Appuyez de nouveau pour augmenter le régime du ventilateur. La vitesse de clignotement de l'anneau DEL (L1) en bleu est fonction du réglage choisi (par ex. : quatre clignotements correspondent au régime maximal, un clignotement au régime lent, etc.)

(P5) Interrupteur d'éclairage

Il allume et éteint l'éclairage.

Fonction d'arrêt automatique



Si le ventilateur ou l'éclairage reste continuellement allumé pendant 10 heures sans que l'utilisateur interagisse avec les commandes, la hotte s'arrêtera automatiquement. Appuyez sur tout de bouton de commande pour remettre la hotte en marche.

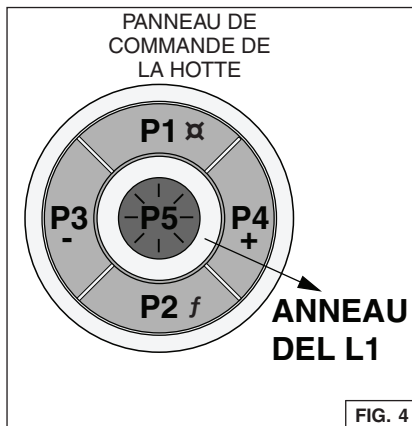
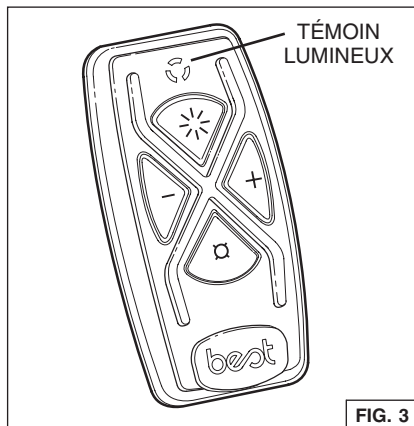
TÉLÉCOMMANDE

La télécommande est jumelée à la hotte dès sa sortie de l'usine.





Si pour une raison quelconque cette liaison est perdue – veuillez suivre les directives ci-dessous :

Liaison de la télécommande à la hotte

1. Arrêtez le moteur de la hotte et éteignez l'éclairage.
2. Appuyez sur le bouton  de la télécommande pendant au moins 3 secondes. Le témoin lumineux s'allume. (Fig. 3)
3. Tout en maintenant le bouton  de la télécommande, appuyez sur *f* (P2) sur le panneau de commande de la hotte. (Fig. 4) L'anneau DEL clignotera en VERT pendant environ 10 secondes pour confirmer que la liaison a réussi.



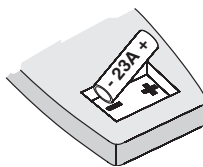
Fonctions de la télécommande (Fig.3)

-  Arrêt différé – Désactivé
-  Bouton de réduction de la vitesse du ventilateur et d'arrêt
-  Bouton de mise en marche et d'augmentation de la vitesse du ventilateur
-  Éclairage

Remarque: Filter reset n'est pas possible avec la télécommande.

Pour de plus amples informations sur chaque fonction, consultez la section « Commandes » à la page précédente.

ATTENTION ILY A RISQUE D'EXPLOSION SI LA PILE EST REMPLACÉE PAR LE MAUVAIS TYPE. METTRE LES PILES USÉES AU REBUT CONFORMÉMENT AUX INSTRUCTIONS.



Mise au rebut des piles

Lorsque les piles doivent être remplacées, prenez soin de les déposer dans l'un des nombreux bacs de recyclage répartis au pays, particulièrement dans les magasins d'électronique. Le respect des normes en matière de collecte sélective, particulièrement pour la mise au rebut des piles usées, contribue à éviter de possibles effets négatifs sur l'environnement et la santé.

NETTOYAGE ET ENTRETIEN

Un entretien adéquat de la hotte assurera son bon fonctionnement.

Moteur

Le moteur est lubrifié en permanence et n'a pas besoin d'être huilé. Si les roulements du moteur sont anormalement bruyants, remplacez le moteur exactement par le même modèle. La roue à ailettes doit aussi être remplacée.

Filtres à graisses

Les filtres à graisses doivent être nettoyés fréquemment. Utilisez une solution tiède de détergent. Ces filtres sont lavables au lave-vaisselle.

Nettoyez les filtres entièrement métalliques au lave-vaisselle avec un détergent sans phosphate. Une décoloration du filtre peut se produire si des détergents phosphatés sont utilisés et selon les conditions locales de l'eau, sans toutefois affecter le rendement du filtre. Cette décoloration n'est pas couverte par la garantie. Voir la section « INSTALLATION DES FILTRES » pour leur enlèvement et leur pose.

Nettoyage de l'acier inoxydable

À FAIRE :

- Régulièrement, nettoyez toutes les surfaces avec un chiffon propre imbibé d'eau tiède et de savon doux ou de liquide à vaisselle.
- Nettoyez toujours dans le sens des lignes du poli original.
- Rincez toujours à l'eau propre (2 ou 3 fois) après le nettoyage. Séchez complètement en essuyant.
- Vous pouvez également utiliser un nettoyeur spécial pour acier inoxydable.

À NE PAS FAIRE :

- N'utilisez pas de laine d'acier ordinaire ni de laine d'acier inoxydable ou tout genre de grattoir pour déloger la saleté.
- N'utilisez aucun nettoyeur puissant ou abrasif.
- Ne laissez pas la saleté s'accumuler.
- Ne laissez pas la poussière de plâtre ou tout autre résidu de construction pénétrer dans la hotte. Pendant des travaux de construction ou de rénovation, couvrez la hotte pour empêcher la poussière d'adhérer aux surfaces d'acier inoxydable.

À éviter : lors du choix d'un détergent

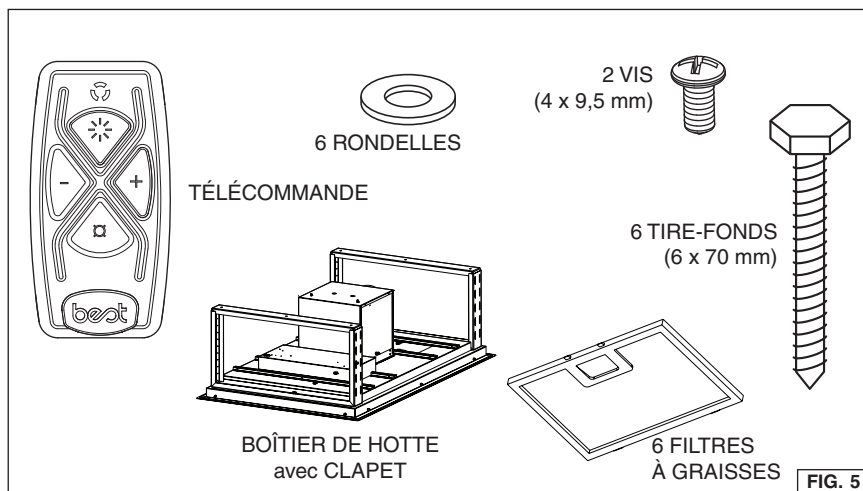
- Tout nettoyeur contenant de l'eau de javel attaquera l'acier inoxydable.
- Tout produit contenant : du chlore, du fluor, de l'iode ou du brome détériorera rapidement les surfaces.
- Tout produit combustible utilisé pour le nettoyage comme l'acétone, l'alcool, l'éther, le benzol, etc., est hautement explosif et ne doit jamais être utilisé à proximité d'une hotte.

PRÉPARATION DE LA HOTTE

Déballer la hotte et vérifier le contenu de la boîte.

Celle-ci doit contenir les éléments suivants :

- 1 - Boîtier de hotte
- 1 - Télécommande
- 6 - Filtres à graisses
- 2 - Vis, 4 x 9,5 mm
- 6 - Tire-fonds, 6 x 70 mm
- 6 - Rondelles



POSE DU CONDUIT



AVERTISSEMENT : Pour réduire les risques d'incendie, utilisez seulement des conduits en métal.

1. Décidez de l'emplacement des conduits entre la hotte et l'extérieur. Fig. 6.
2. Un tracé droit et court permet à la hotte d'être plus efficace.
3. Des conduits longs, des coudes et des transitions réduisent son efficacité. N'en utilisez que le moins possible. Pour plus d'efficacité, des conduits plus gros peuvent être nécessaires si le parcours est trop long.

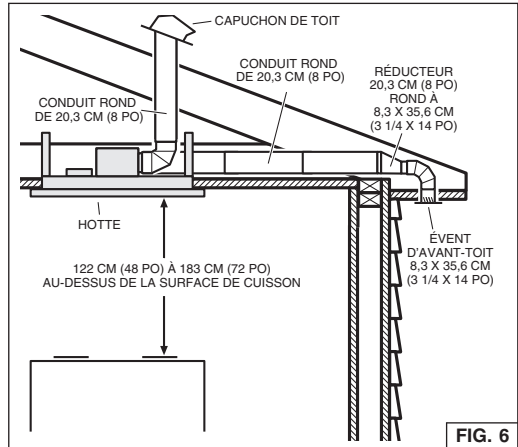
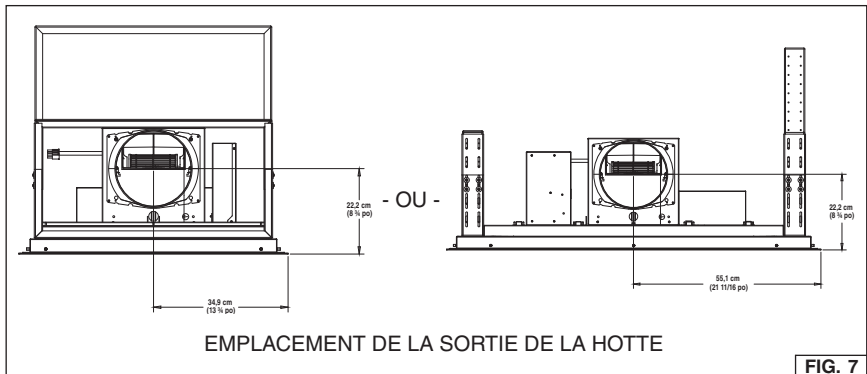


FIG. 6

4. Installez un capuchon mural ou de toit, ou un évent d'avant-toit. Connectez le conduit métallique rond au capuchon ou évent en progressant vers la hotte. Scellez les joints avec du ruban à conduit à chaque section.
5. L'orientation du ventilateur peut être changée selon l'emplacement de la sortie. Voir Fig. 7 pour les dimensions de la sortie d'air.



EMPLACEMENT DE LA SORTIE DE LA HOTTE

FIG. 7

PRÉPARATION DE L'OUVERTURE DU PLAFOND

La hotte doit être centrée au-dessus de la surface de cuisson. Assurez-vous d'un espace adéquat dans la structure du plafond pour l'installation de la hotte et des conduits. Pour mieux capter les vapeurs de cuisson, la hotte doit être 122 cm (48 po) à 183 cm (72 po) au-dessus de la cuisinière. Fig 6.

Utilisez du bois de la taille des solives pour fabriquer une charpente autour de l'ouverture de la hotte. La structure du plafond doit être capable de supporter le poids de la hotte, soit 29 kg (64 livres). Fig 8.

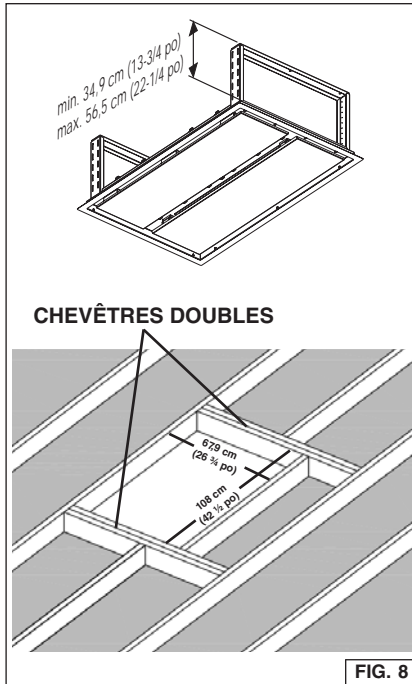


FIG. 8

PRÉPARATION DU SUPPORT DE LA HOTTE

1. Construisez une charpente de support, tel qu'illustré à la Fig. 9.
2. La structure du plafond doit être capable de supporter son propre poids plus celui de la hotte [29 kg (64 livres)].

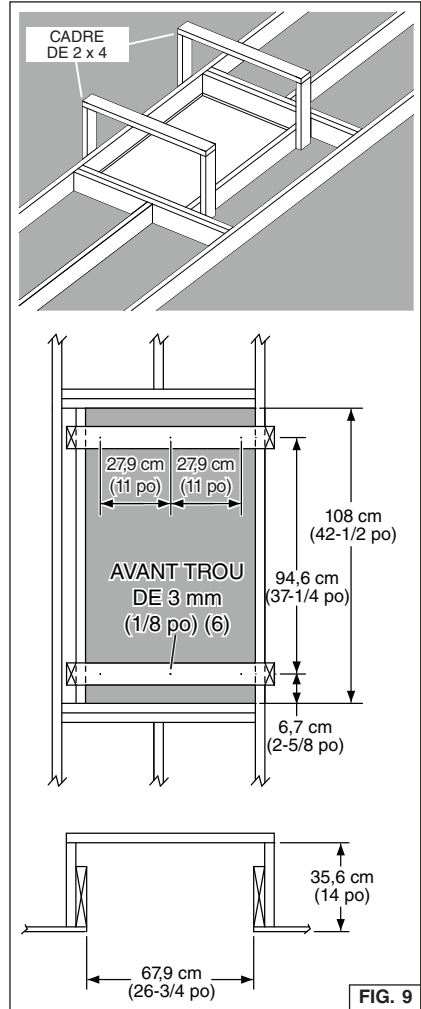
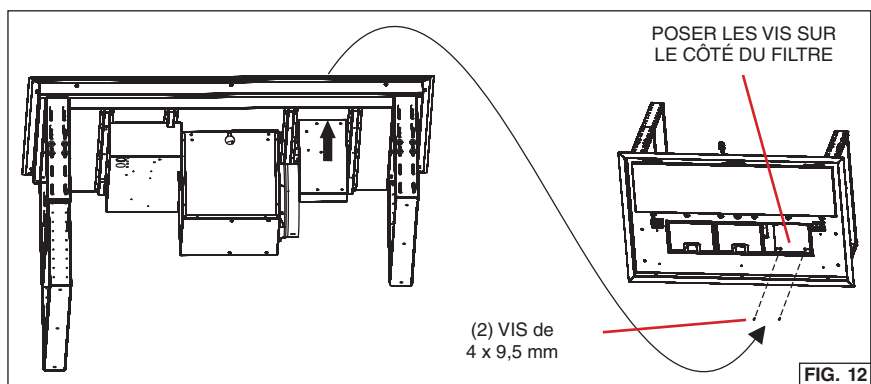
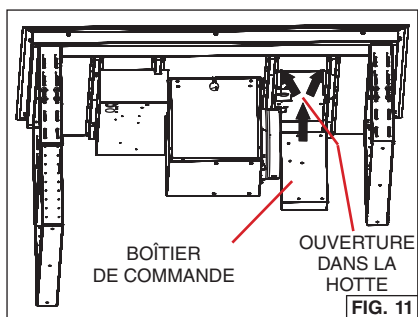
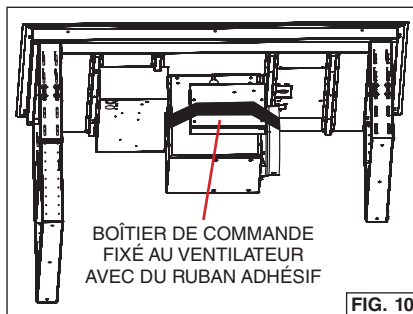


FIG. 9

POSE DU BOÎTIER DE COMMANDE

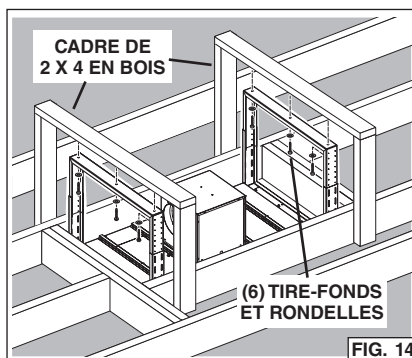
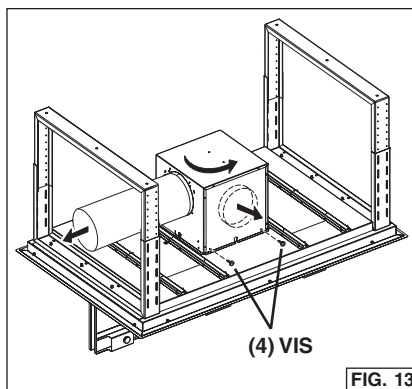
1. Retirer le boîtier de commande par le côté du ventilateur. Fig. 10.
2. Insérer le boîtier de commande dans l'ouverture. Fig. 11.
3. Fixez le boîtier de commande avec les (2) vis de 4 x 9,5 mm fournies. Fig. 12.



INSTALLATION DE LA HOTTE

⚠ ATTENTION : Il est recommandé d'avoir deux installateurs, compte tenu de la taille et du poids de cette hotte.

1. La hotte est livrée de manière à recevoir un conduit de sortie en position horizontale et est prête à installer.
2. Pour modifier la direction du conduit sans utiliser de coudes, voir Fig. 13 :
 - Enlevez (2) vis à l'intérieur du boîtier du ventilateur.
 - Enlevez (4) des côtés du boîtier du ventilateur.
 - Enlevez le ventilateur, tournez-le de 90 degrés et reposez les (4) vis.
3. Soulevez la hotte dans l'ouverture du plafond.
4. Fixez chaque cadre de soutien de la hotte à la charpente de bois à l'aide des (6) tire-fonds de 6 x 70 mm et rondelles fournis. Fig. 14.
5. Ajustez la hauteur des cadres de soutien télescopiques pour assurer un ajustement parfait de la hotte et de la surface finie du plafond.
6. Sur le collier de sortie du ventilateur, raccordez le conduit qui évacue l'air à l'extérieur.
7. Scellez les joints avec du ruban à conduit.

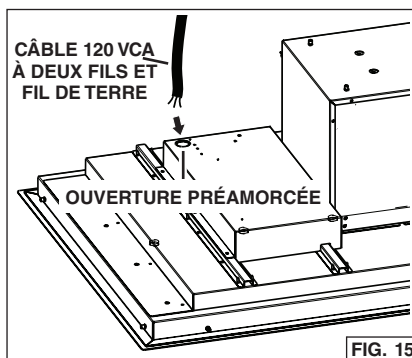


CONNEXION DU CÂBLAGE

⚠ ⚠ AVERTISSEMENT : Les travaux d'électricité doivent être effectués par des personnes qualifiées en respectant les codes et les normes en vigueur. Cette hotte de cuisine doit être correctement mise à la terre.

Ne rétablissez pas le courant du panneau électrique avant que tous les câbles soient connectés.

1. Acheminez un câble d'alimentation électrique à deux fils (plus un fil de terre) jusqu'à une ouverture préamorcée de 19 mm (3/4 po) à l'arrière de la hotte. Fig. 15.
2. Enlevez l'ouverture préamorcée de 19 mm (3/4 po) à l'arrière de la hotte.



3. De l'intérieur de la pièce, rabattez vers le bas les deux panneaux de fermeture. Fig. 16.
4. Enlevez les (4) vis du panneau d'accès du compartiment électrique. Glissez le panneau de côté pour exposer le boîtier de connexion.
5. Dans le boîtier électrique marqué « ENTRÉE 120 VCA », enlevez les (2) vis qui retiennent le couvercle au boîtier métallique de câblage. Fig. 17.
6. Tirez le câble électrique de 120 VCA dans le boîtier et fixez-le avec le connecteur approprié.
7. Effectuez les connexions électriques à l'intérieur du boîtier. Branchez les fils blancs ensemble, les fils noirs ensemble et le fil vert avec le fil de terre.
8. Remplacez le couvercle du boîtier de câblage et les vis. Assurez-vous qu'aucun des câbles n'est coincé entre le couvercle et le boîtier.
9. Remplacez le panneau d'accès du compartiment électrique et les (4) vis.

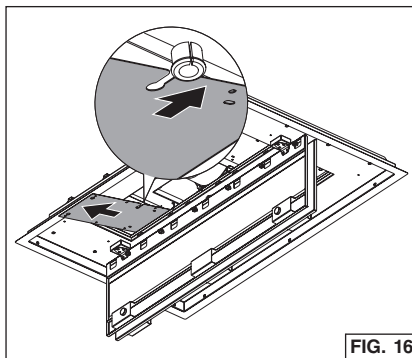


FIG. 16

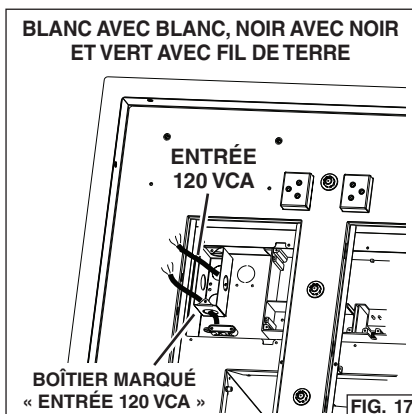


FIG. 17

CLAPET D'AIR DE COMPENSATION

La hotte est compatible avec le Clapet d'air de compensation Broan modèle MD6T, modèle MC8T ou modèle MD10T (en option). Vendu séparément.

Connectez le clapet d'air de compensation avec des fils de basse tension, tel qu'illustré. Pour de plus amples renseignements, consultez les directives du clapet d'air de compensation. (Fig. 18)

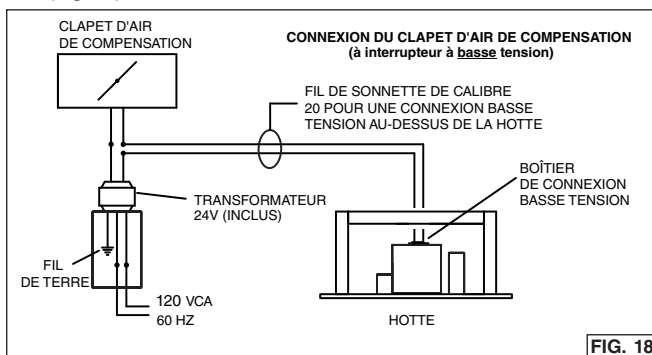
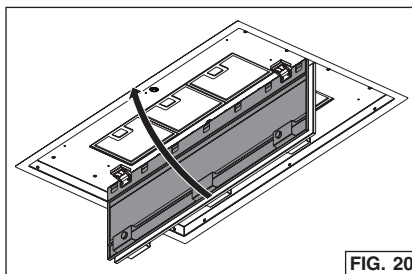
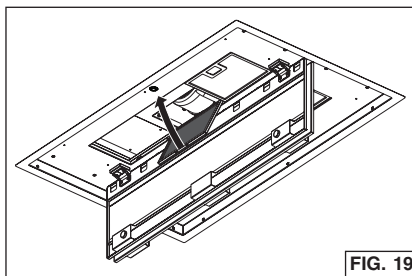


FIG. 18

INSTALLATION DES FILTRES

1. Rabattez vers le bas les deux panneaux de fermeture, tel qu'illustré. Fig. 19 et Fig. 20.
2. Pour installer les filtres à graisses, alignez les ergots arrière des filtres dans les fentes de la hotte. Enfoncez la languette métallique, poussez le filtre en place et relâchez la languette. Vérifiez si le filtre est bien fixé une fois remplacé.
3. Pour enlever les filtres pour le nettoyage, enfoncez la languette métallique afin de dégager les filtres de la hotte. Inclinez le filtre vers le bas et enlevez-le.



CALIBRER LE VENTILATEUR IQ^{MC}

VENTILATEUR INTERNE AVEC CONDUITS SEULEMENT

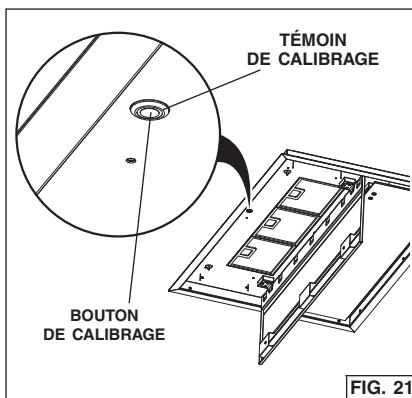
Après l'installation de la hotte, enclenchez le processus de calibrage (notre Technologie de performance garantie s'assure que le débit d'air optimal sera émis). Avant le calibrage, assurez-vous que les filtres et les conduits sont installés.

CALIBRAGE Fig. 21.

Ouvrez le panneau inférieur. Maintenez le bouton de calibrage pendant 3 secondes afin qu'il s'allume. Refermez le panneau inférieur. Le ventilateur se met en marche et le calibrage commence, ce qui dure environ 13 minutes. Une fois le calibrage terminé, il y a deux possibilités :

- A. Le ventilateur s'arrête et la lumière du bouton de calibrage s'éteint = Calibrage réussi.
- B. Le ventilateur s'arrête et la lumière du bouton de calibrage clignote continuellement = Trop de restriction dans le conduit empêchant le ventilateur IQ^{MC} d'atteindre le débit d'air nominal.
Le ventilateur se règle automatiquement à l'intensité maximale.

REMARQUE : Les causes les plus courantes de restriction sont : un clapet coincé (clapet antirefoulement, capuchon mural, capuchon de toit), un trop grand nombre de coudes, un conduit dont la dimension est 80% inférieure à la sortie de la hotte, une mauvaise transition, l'utilisation de conduit flexible et/ou un conduit écrasé.



Deux options sont offertes :

1. Appuyer sur le bouton de calibrage pour accepter le débit d'air tel quel. Le ventilateur IQ^{MC} est maintenant configuré à son niveau le plus élevé possible. Le témoin de calibrage clignotant s'éteint.
2. Corriger la restriction dans le conduit, puis recommencer le calibrage.
 - a. Pour effacer les données de calibrage, maintenez le bouton de calibrage enfoncé pendant 10 secondes. Le témoin clignotera 3 fois pour confirmer et le ventilateur retournera aux paramètres par défaut.
 - b. Recommencez le calibrage.

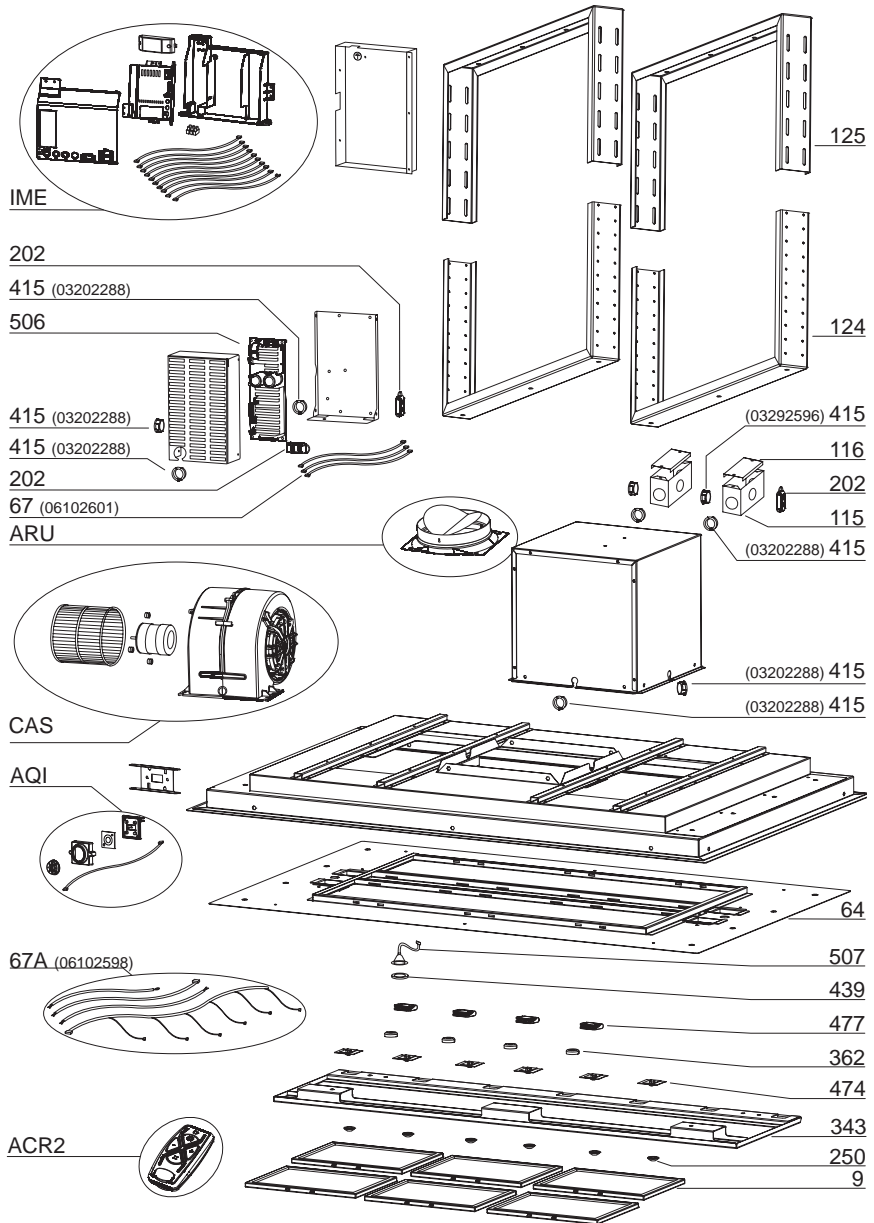
PIÈCES DE RECHANGE

Modèle CC34IQSB

REPÈRE	DESCRIPTION	N° DE PIÈCE.
CAS	ENSEMBLE DE VENTILATEUR	06002259
506	CIRCUIT DE MOTEUR C.C. SANS BALAIS	97019431
67	FILS	06102601
202	ATTACHE DE CÂBLE	03292290
415	GUIDE-CÂBLE	03202288
IME	ENSEMBLE D'INSTALLATION ÉLECTRIQUE	06145222
67A	FILS	06102598
115	BOÎTIER DE CONNEXION DU CÂBLE D'ALIMENTATION	E3350233
415	GUIDE-CÂBLE	03292596
116	COUVERCLE DU BOÎTIER DE CONNEXION DU CÂBLE D'ALIMENTATION	E3351530
125	SUPPORT TÉLESCOPIQUE SUPÉRIEUR	08092797
124	SUPPORT TÉLESCOPIQUE INFÉRIEUR	E3404965
64	SUPPORT INFÉRIEUR	03115251
507	ENSEMBLE DE BOUTON DE CALIBRAGE	06102584
439	BAGUE ISOLANTE	02320034
474	VOYANT DEL	02300885
250	ANNEAU DE FIXATION	02011389
AQI	ENSEMBLE DE BOÎTIER D'INTERRUPTEUR	06102585
343	PANNEAU D'OBTURATION	08093076
477	CHARNIÈRE	02011376
362	RESSORT DE VISIÈRE D'AFFICHAGE	02011421
9	FILTRE À GRAISSES	08087804
ARU	ENSEMBLE DE RACCORD DE SORTIE D'AIR	08092501
ACR2	TÉLÉCOMMANDE	08999166
	QUINCAILLERIE	080810994
	DIRECTIVES D'INSTALLATION	080813623

PIÈCES DE RECHANGE

Modèle CC34IQSB



GARANTIE

Garantie limitée

Période de garantie et exclusions : Broan-NuTone LLC (la « Société ») garantit au consommateur acheteur initial (« vous ») de son produit (le « Produit ») que celui-ci est exempt de tout vice de matériau ou de fabrication pour une période de un (1) an à compter de la date d'achat originale.

La période de la garantie limitée sur toute pièce de remplacement fournie par la Société et sur tout produit réparé ou remplacé en vertu de la présente garantie limitée correspond au reste de la période de garantie originale.

Cette garantie ne s'applique pas aux tubes fluorescents et aux démarreurs de tubes fluorescents, ni aux ampoules halogènes ou incandescentes, fusibles, filtres, conduits, capuchons de toit, capuchons muraux et autres accessoires pour conduits pouvant avoir été achetés séparément et installés avec le produit. La présente garantie ne couvre pas (a) les travaux d'entretien et de service normaux, (b) l'usure normale, (c) tout produit ou toute pièce ayant fait l'objet d'une mauvaise utilisation, d'un abus, d'un usage anormal, d'une négligence, d'un accident, d'un entretien, d'un rangement ou d'une réparation inadéquats ou insuffisants (autre que par la Société), (d) les dommages dus à une mauvaise installation, ou à une installation ou utilisation contraires aux recommandations ou instructions, (e) tout produit déplacé de son lieu d'installation original, (f) les dommages dus à des éléments environnementaux ou naturels, (g) les dommages dus au transport, (h) l'usure naturelle du fini, (i) les produits utilisés à des fins commerciales ou non-résidentielles ou (j) les dommages dus à un incendie, à une inondation ou à un événement fortuit. Cette garantie ne couvre que les produits vendus au consommateur initial aux États-Unis par la Société ou par les distributeurs américains autorisés par la Société.

La présente garantie remplace toute garantie précédente et le consommateur et acheteur initial ne peut la céder à quiconque.

Aucune autre garantie : Cette garantie limitée stipule les seules obligations de la Société et votre seul recours en cas de produits défectueux. La garantie ci-dessus est exclusive et remplace toute autre garantie, expresse ou tacite. LA SOCIÉTÉ EXCLUT TOUTE AUTRE GARANTIE EXPRESSE ET TOUTE GARANTIE DÉCOULANT IMPLICITEMENT DE LA LOI, Y COMPRIS, SANS S'Y LIMITER, LES GARANTIES DE VALEUR MARCHANDE ET D'ADÉQUATION À UN USAGE PARTICULIER. Dans la mesure où la loi en vigueur interdit l'exclusion des garanties tacites, la durée de toute garantie tacite est limitée à la période stipulée ci-dessus pour la garantie expresse. Certaines juridictions interdisant de limiter la durée d'une garantie tacite, la limitation ci-dessus peut ne pas s'appliquer à votre situation. Toute description verbale ou écrite du produit a pour seule fin de l'identifier et ne doit pas être interprétée comme une garantie expresse.

Si possible, chaque disposition de cette garantie limitée doit être interprétée de sorte à être en vigueur et valide en vertu des lois applicables, mais si une disposition s'avère interdite ou invalide, elle le sera seulement dans la mesure de cette interdiction ou invalidité, sans invalider le reste de cette disposition ni les autres dispositions de la présente garantie limitée.

Recours : Pendant la période de garantie limitée applicable, la Société pourra, à son choix, fournir des pièces de rechange ou réparer ou remplacer, sans frais, tout produit ou toute pièce, dans la mesure où la Société constate qu'il est couvert et contrevenu à la présente garantie limitée dans des conditions normales d'utilisation et de service. La Société vous enverra gratuitement le produit réparé ou remplacé ou les pièces de rechange. Vous êtes responsable des frais de démontage, de remontage, d'expédition, d'assurance ou de tous autres frais de transport pour l'envoi du produit ou de la pièce à la Société. Si vous devez envoyer le produit ou la pièce à la Société, tel que la Société vous l'indiquera, vous devrez l'emballer correctement – la Société n'est pas responsable des dommages subis lors du transport. La Société se réserve le droit d'utiliser des produits ou des pièces remis en état, remis à neuf, réparés ou réusinés dans le processus de réparation ou de remplacement sous garantie. Lesdits produits ou pièces seront comparables en fonction et en performance aux produits et pièces d'origine et seront garantis pendant le reste de la période de garantie originale.

Exclusion de dommages : L'OBLIGATION DE LA SOCIÉTÉ DE FOURNIR DES PIÈCES DE RECHANGE, OU DE RÉPARER OU REMPLACER LE PRODUIT, À SON CHOIX, CONSTITUE VOTRE SEUL ET UNIQUE RECOURS EN VERTU DE LA PRÉSENTE GARANTIE LIMITÉE ET LA SEULE ET UNIQUE OBLIGATION DE LA SOCIÉTÉ. LA SOCIÉTÉ NE PEUT ÊTRE TENUE RESPONSABLE DE TOUT DOMMAGE INDIRECT, CONSÉCUTIF, ACCESSOIRE OU SPÉCIAL DÉCOULANT DE L'UTILISATION OU DU RENDEMENT DU PRODUIT.

Certains territoires ou provinces ne permettant pas la limitation ou l'exclusion des dommages indirects ou consécutifs, la limitation ci-dessus peut ne pas s'appliquer à votre situation. La présente garantie vous confère des droits spécifiques reconnus par la loi. D'autres droits pourraient également vous être accordés selon la législation locale en vigueur.

Cette garantie ne couvre que le remplacement ou la réparation des produits ou pièces défectueux à l'usine principale de la Société et ne comprend pas les frais de voyage et ni les dépenses quotidiennes pour une réparation à domicile.

Toute aide que la Société vous fournit en dehors des dispositions, limitations ou exclusions de cette garantie limitée ne constituera en rien une renonciation auxdites dispositions, limitations ou exclusions, et ne prolongera aucunement cette garantie pas plus qu'elle ne la remettra en vigueur.

La Société ne vous remboursera aucune dépense encourue par vous pour la réparation ou le remplacement de tout produit défectueux, sauf celles que vous avez encourues avec la permission écrite préalable de la Société.

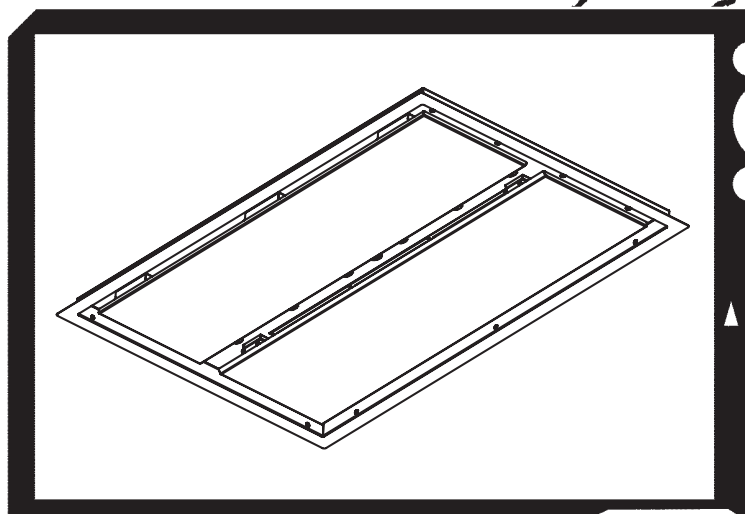
Comment bénéficier du service de garantie : Pour vous prévaloir de cette garantie, vous devez (a) aviser la Société à l'adresse ou au numéro de téléphone indiqués ci-dessous dans les sept (7) jours du constat de la défectuosité couverte, (b) donner le numéro de modèle du produit et le numéro d'identification de la pièce et (c) décrire la nature de la défectuosité du produit ou de la pièce. Lors de votre demande de garantie, vous devez présenter une preuve de la date d'achat originale. Si vous ne pouvez pas fournir une copie écrite de la garantie limitée originale, les dispositions de la garantie limitée écrite la plus récente de la Société concernant ce produit particulier s'appliqueront. Vous trouverez les garanties limitées écrites les plus récentes des produits de la Société sur le site www.BestRangeHoods.com.

Aux États-Unis – BEST® Hartford, Wisconsin 800-558-1711

Au Canada – BEST® Drummondville, QC 866-737-7770

www.BestRangeHoods.com

best®



Modelo CC34IQSB

ENGLISH.....	2
FRANÇAIS.....	17
ESPAÑOL.....	33

En EE. UU. - BEST Hartford, Wisconsin
En CANADÁ - BEST Drummondville, QC, Canadá

REGISTRE SU PRODUCTO EN LÍNEA EN: www.BestRangeHoods.com/register
Si desea información adicional, visite www.BestRangeHoods.com

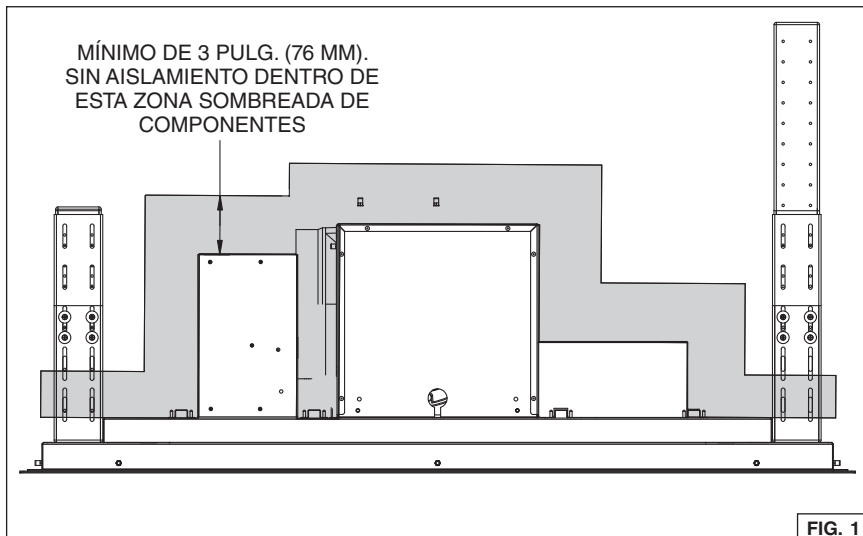
LEA Y CONSERVE ESTAS INSTRUCCIONES

! INDICADO SOLAMENTE PARA COCINAR EN CASA !

! ! ADVERTENCIA

PARA REDUCIR EL RIESGO DE INCENDIOS, DESCARGAS ELÉCTRICAS O LESIONES PERSONALES, SIGA LAS SIGUIENTES PRECAUCIONES:

1. Use la unidad solo de la manera indicada por el fabricante. Si tiene preguntas, comuníquese con el fabricante a la dirección o al número telefónico que se incluye en la garantía.
2. Antes de dar servicio o limpiar la unidad, interrumpa el suministro eléctrico en el panel de servicio y bloquee el panel de servicio para evitar que se active accidentalmente la electricidad. Cuando no sea posible bloquear los medios de desconexión del servicio, fije firmemente una señal de advertencia (como una etiqueta) en un lugar visible del panel de servicio.
3. El trabajo de instalación y el cableado eléctrico deben estar a cargo de personal capacitado, de acuerdo con todos los códigos y normas correspondientes, incluidos los códigos y normas de construcción específicos sobre protección contra incendios.
4. Es necesario suficiente aire para que se lleve a cabo una combustión y una extracción adecuadas de los gases a través del tubo de humos (chimenea) del equipo quemador de combustible, con el fin de evitar el contratiempo. Siga las directrices y las normas de seguridad del fabricante del equipo de calefacción, como las publicadas por la Asociación Nacional de Protección contra Incendios (National Fire Protection Association, NFPA), y la Sociedad Americana de Ingenieros en Calefacción, Refrigeración y Aire Acondicionado (American Society for Heating, Refrigeration and Air Conditioning Engineers, ASHRAE), y las autoridades de los códigos locales.
5. Al cortar o perforar a través de la pared o del cielo raso, tenga cuidado de no dañar el cableado eléctrico ni otros servicios ocultos.
6. Los ventiladores con conductos siempre deben ventearse hacia el exterior.
7. No use esta unidad junto con ningún dispositivo separado de estado sólido para el control de la velocidad.
8. Para reducir el riesgo de incendio, use solamente conductos metálicos.
9. Esta unidad debe estar conectada a tierra.
10. Instalación del tipo que no es IC: El aislamiento térmico no debe cubrir la cubierta superior de la campana y debe estar separado 3 pulgadas (76 mm) de todos los lados. (Fig. 1)



PARA REDUCIR EL RIESGO DE INCENDIO PROVOCADO POR GRASA PRESENTE EN LA ESTUFA:

- A. Nunca deje desatendidas las unidades de la superficie cuando estén en ajustes altos de calor. Los alimentos en ebullición provocan derrames grasosos y con humo que se pueden incendiar. Caliente el aceite lentamente en ajustes de calor bajo o medio.
- B. Siempre ENCIENDA la campana cuando esté cocinando a altas temperaturas o flamee alimentos (por ejemplo crepas Suzette, cerezas Jubilee, bistec con pimienta flameado).
- C. Limpie frecuentemente los ventiladores. No permita la acumulación de grasa en el ventilador ni en el filtro.
- D. Use una cacerola del tamaño adecuado. Siempre use utensilios de cocina que sean apropiados para el tamaño del elemento de la superficie.

PARA REDUCIR EL RIESGO DE LESIONES A LAS PERSONAS EN CASO DE UN INCENDIO PRODUCIDO POR GRASA EN UNA ESTUFA, OBSERVE LO SIGUIENTE*:

1. APAGUE LAS LLAMAS con una tapa de ajuste exacto, una charola para galletas o una bandeja de metal, y después apague el quemador. PROCEDA CON CUIDADO PARA EVITAR QUEMADURAS. Si las llamas no se apagan inmediatamente, EVACUE EL ÁREA Y LLAME A LOS BOMBEROS.
2. NUNCA LEVANTE UNA CACEROLA INCENDIADA porque podría ocasionarse quemaduras.
3. NO TRATE DE APAGAR EL FUEGO CON AGUA ni con trapos o toallas de cocina mojados, pues ocasionará una explosión violenta de vapor.
4. Use un extintor SOLO si:
 - A. El extintor es de Clase ABC y usted sabe cómo hacerlo funcionar.
 - B. El incendio es pequeño y está confinado al área en la que se inició.
 - C. Se está llamando al Departamento de Bomberos.
 - D. Puede combatir el incendio teniendo la espalda orientada hacia una salida.

* Basado en "Kitchen Fire Safety Tips" (Sugerencias para la seguridad contra incendios en la cocina)

PRECAUCIÓN

1. Solo debe usarse bajo techo.
2. Para reducir el riesgo de incendio y para descargar adecuadamente el aire, asegúrese de dirigir el aire hacia el exterior. No descargue el aire en espacios contenidos entre paredes o cielos rasos, ni en áticos, sótanos bajos ni en la cochera.
3. Tenga cuidado cuando use agentes de limpieza o detergentes.
4. Evite usar bajo la campana de la estufa productos alimenticios que produzcan llamas.
5. Solo para usarse como medio de ventilación general. No debe usarse para la extracción de materiales o vapores peligrosos o explosivos.
6. Para evitar daños a los cojinetes del motor y rotores ruidosos o desbalanceados, mantenga la unidad de potencia protegida contra rociados de yeso, polvos de construcción, etc.
7. Este motor de campana tiene una protección contra sobrecargas térmicas que automáticamente apagará el motor en caso de sobrecalentamiento. El motor reanudará su funcionamiento cuando se enfríe. Si el motor continúa apagándose y encendiéndose, solicite servicio para la campana.
8. Para capturar mejor las impurezas producidas al cocinar, la parte inferior de la campana debe estar a una altura mínima de 48 pulg. (122 cm) y máxima de 72 pulg. (183 cm) sobre la superficie de cocinado. Consulte el apartado "Instalación del soporte de montaje" para ver las restricciones de montaje.
9. Se recomienda que dos personas hagan la instalación debido al gran tamaño y peso de esta campana.
10. La fuente de luz está diseñada para esta aplicación específica y puede sobrecalentarse si recibe servicio de personal no capacitado. Si se requiere algún servicio, debe regresar el producto a un centro de servicio autorizado para que lo examinen o reparen.
11. Lea la etiqueta de especificaciones del producto para ver información y requisitos adicionales.

FUNCIONAMIENTO

Controles (Fig. 2)

La campana se opera mediante los (5) botones pulsadores que se encuentran en la campana y en el control remoto. Los colores de los LED se muestran solamente en el control de la campana.



(P1) Interruptor de retraso

- Su campana incluye un interruptor de retraso del ventilador de 10 minutos. Presione una vez este interruptor para activar el contador de tiempo y que el anillo de LED (L1) destelle en color azul. El ventilador seguirá funcionando 10 minutos. Después de 10 minutos, el ventilador se apaga automáticamente.
- Para cancelar el retardo de 10 minutos, presione de nuevo el interruptor de retardo.

(P2) Interruptor de la alarma del filtro

- Después de 30 horas de funcionamiento del ventilador, se activa la alarma del filtro y el anillo de LED (L1) se enciende en color rojo/destella. Indica que es necesario limpiar los filtros de grasa.
- Después de limpiar los filtros de grasa, reinicie el contador de horas presionando el botón de alarma del filtro/reinicio del contador (P2) mientras se visualiza la alarma.

(P3) Interruptor para reducir la velocidad del ventilador y apagarlo

- Presione para reducir la velocidad del ventilador, de alta a baja. El anillo de LED (L1) destella en color azul a una velocidad proporcional al ajuste del ventilador (es decir: cuatro destellos es alta velocidad, un destello es baja velocidad, etc.)
- Siga presionando este interruptor para apagar el ventilador.

(P4) Interruptor para aumentar la velocidad del ventilador y encenderlo

- Presione este interruptor para encender el ventilador a baja velocidad.
- Presiónelo otra vez para aumentar la velocidad del ventilador, de baja a alta. El anillo de LED (L1) destella en color azul a una velocidad proporcional al ajuste del ventilador (es decir: cuatro destellos es alta velocidad, un destello es baja velocidad, etc.)

(P5) Interruptor de luces

Enciende y apaga las luces.

Función de apagado automático



Si el ventilador y/o las luces están encendidas continuamente 10 horas sin que el usuario interactúe con los controles, la campana se apagará automáticamente. Presione cualquier botón de control para reactivar la campana.

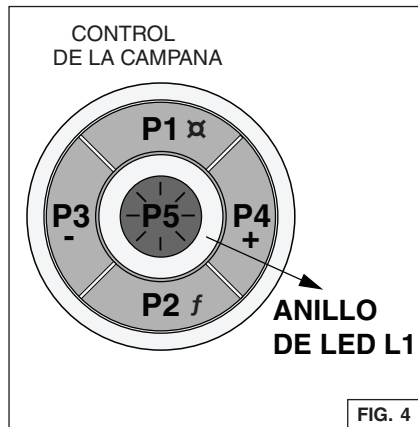
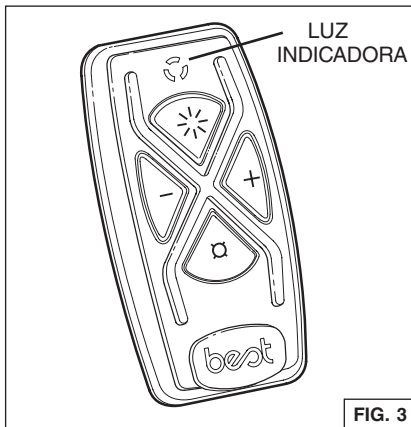
CONTROL REMOTO

El control remoto se enlaza a la campana en la fábrica.





Si por alguna razón se pierde el enlace, siga estas instrucciones:

Para enlazar el control remoto a la campana

1. Apague el motor y las luces de la campana.
2. Presione  en el control remoto por lo menos 3 segundos. La luz indicadora se encenderá. (Fig. 3)
3. Mientras sostiene  en el control remoto, presione *f* (P2) en el control de la campana. (Fig. 4) El anillo de LED encenderá en color VERDE aproximadamente 10 segundos para confirmar que el proceso de enlace fue exitoso.



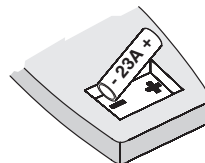
Funciones del control remoto (Fig. 3)

-  Retraso – Apagado
-  Se reduce la velocidad del ventilador y se apaga
-  Se aumenta la velocidad del ventilador y se enciende
-  Luz

Nota: reajuste del filtro no es posible con el mando a distancia.

Si desea más información sobre cada función, vea la sección “Controles” en la página anterior.

PRECAUCIÓN RIESGO DE EXPLOSIÓN
SI SE REEMPLAZA LA PILA CON UNA DEL TIPO INCORRECTO. DESECHE LA PILA USADA SEGÚN LAS INSTRUCCIONES.



Desecho de la pila

Cuando sea necesario cambiar las pilas, deséchelas únicamente en los recipientes especiales para desecho que encuentra fácil y en gran cantidad, en especial en tiendas que venden productos electrónicos de consumo. El cumplimiento de los reglamentos sobre recolección diferenciada de residuos y, en particular, la disposición adecuada de pilas usadas, contribuye a prevenir posibles efectos negativos sobre el medio ambiente y la salud.

LIMPIEZA Y MANTENIMIENTO

El mantenimiento correcto de la campana de la estufa asegurará el funcionamiento adecuado de la unidad.

Motor

El motor está permanentemente lubricado y nunca necesitará ponerle aceite. Si los cojinetes del motor están haciendo ruido excesivo o inusual, reemplace el motor con el motor de servicio exacto. También debe reemplazar el impulsor.

Filtros de grasa

Los filtros de grasa se deben limpiar con frecuencia con una solución tibia de detergente y agua. Los filtros de grasa se pueden lavar en lavaplatos.

Limpie los filtros completamente metálicos en el lavaplatos con un detergente sin fosfatos. El filtro se puede decolorar si se utilizan detergentes con fosfatos o como resultado de la condición del agua local, pero esto no afectará el desempeño del filtro. Esta decoloración no está cubierta por la garantía. Consulte la sección "INSTALACIÓN DE LOS FILTROS" para ver las instrucciones de instalación y desmontaje.

Limpieza del acero inoxidable

COSAS QUE PUEDE HACER:

- Regularmente, lave con una tela o trapo limpio remojado con agua tibia y jabón o detergente líquido para platos.
- Siempre limpie en la dirección de las líneas originales de pulido.
- Siempre enjuague bien con agua limpia (2 o 3 veces) después de la limpieza. Séquelo por completo.
- También puede usar un limpiador casero especializado para acero inoxidable.

COSAS QUE NO DEBE HACER:

- Usar lana de acero o acero inoxidable ni algún otro tipo de raspador para quitar mugre difícil de sacar.
- Usar limpiadores fuertes ni abrasivos.
- Dejar que se acumule la mugre.
- Dejar que el polvo forme plastas ni que quede en la campana algún otro residuo de la construcción. Durante la construcción o la renovación, cubra la campana para estar seguro de que el polvo no se pegue a la superficie de acero inoxidable.

Evite: Al elegir un detergente

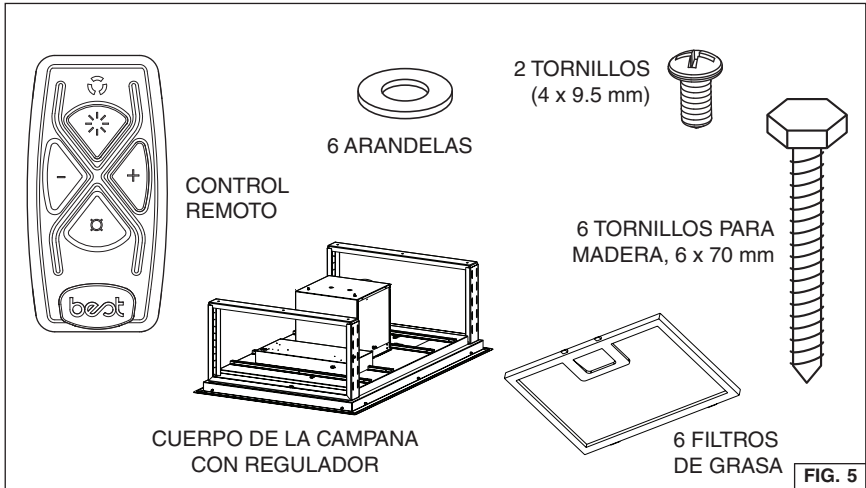
- Todo limpiador que contenga blanqueador, pues atacará al acero inoxidable.
- Todo producto que contenga: cloruro, fluoruro, yoduro, bromuro, pues deteriorará las superficies rápidamente.
- Todo producto combustible utilizado para la limpieza, como acetona, alcohol, éter, bencol, etc., pues son altamente explosivos y nunca se deben usar cerca de una estufa.

PREPARE LA CAMPANA

Desempaque la campana y revise el contenido del paquete.

Debe contener lo siguiente:

- 1 - Cuerpo de la campana
- 1 - Control remoto
- 6 - Filtros de grasa
- 2 - Tornillos, 4 x 9.5 mm
- 6 - Tornillos para madera, 6 x 70 mm
- 6 - Arandelas



INSTALACIÓN DEL SISTEMA DE CONDUCTOS

ADVERTENCIA: Para reducir el riesgo de incendio, use solamente conductos metálicos.

1. Decida dónde instalará el conducto entre la campana y el exterior. Fig. 6.
2. Un conducto recto y corto permitirá que la campana funcione más eficientemente.
3. Los tramos largos de conductos, codos y transiciones reducirán el rendimiento de la campana. Use tan pocos de ellos como sea posible. Es posible que se requieran conductos más grandes para un mejor funcionamiento con tramos más largos de conductos.

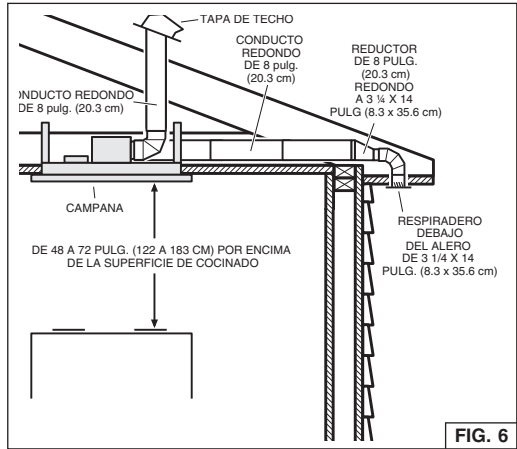
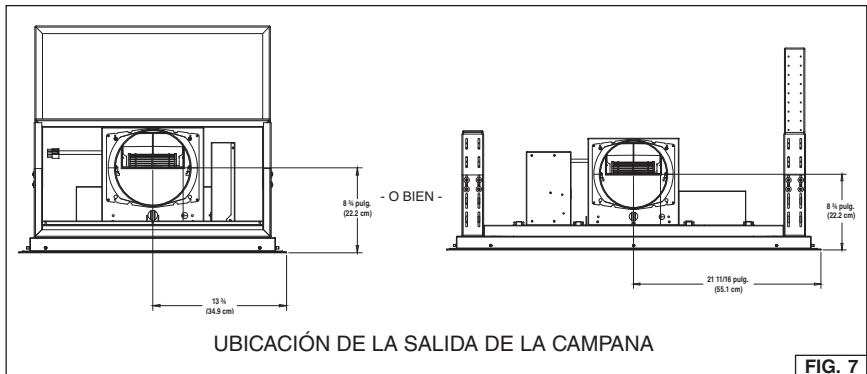


FIG. 6

4. Instale una tapa de techo, una tapa de pared o un respiradero debajo del alero. Conecte un conducto metálico redondo en la tapa/respiradero y trabaje hacia atrás, hacia la ubicación de la campana. Use cinta para conductos para sellar las uniones entre las secciones de conductos.
5. El ventilador se puede girar de acuerdo con la ubicación de la salida de aire. Consulte las dimensiones de la salida de aire en la Figura 7.



UBICACIÓN DE LA SALIDA DE LA CAMPANA

FIG. 7

PREPARE LA ABERTURA DEL CIELO RASO

La campana siempre debe centrarse por encima de la estufa. Asegúrese de tener espacio adecuado en la estructura del cielo raso para instalar la campana y los conductos. La campana debe montarse de 48 a 72 pulg. (122 a 183 cm) por encima de la estufa para poder eliminar mejor las impurezas al cocinar. Fig. 6

Use madera del tamaño de la viga para enmarcar alrededor de la abertura de la campana. La estructura del cielo raso debe poder soportar el peso de la campana (64 libras / 29 kg). Fig. 8.

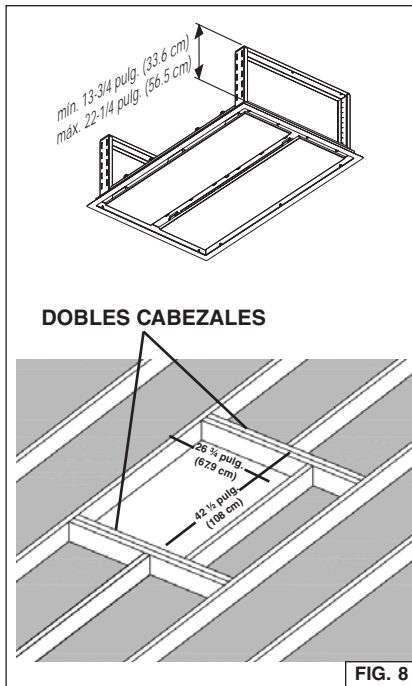


FIG. 8

PREPARE EL SOPORTE DE LA CAMPANA

1. Construya un sistema de marco de madera como se muestra en la Figura 9.
2. La estructura debe poder soportar su propio peso, más el peso de la campana (64 libras / 29 kg).

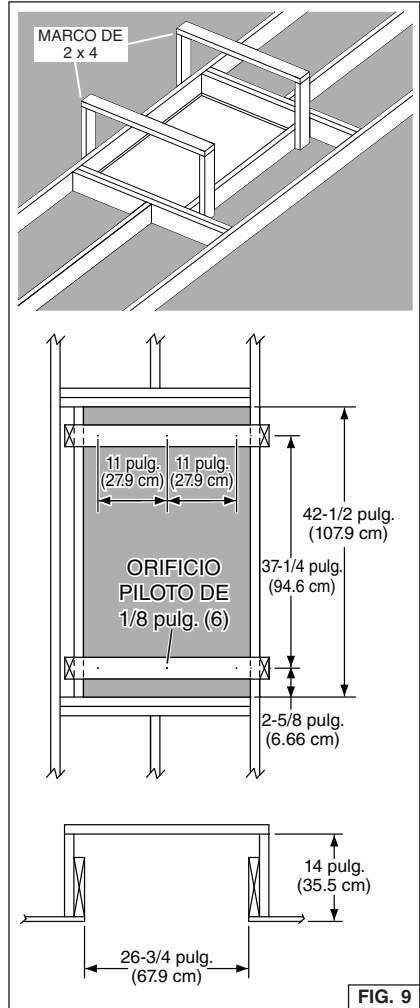
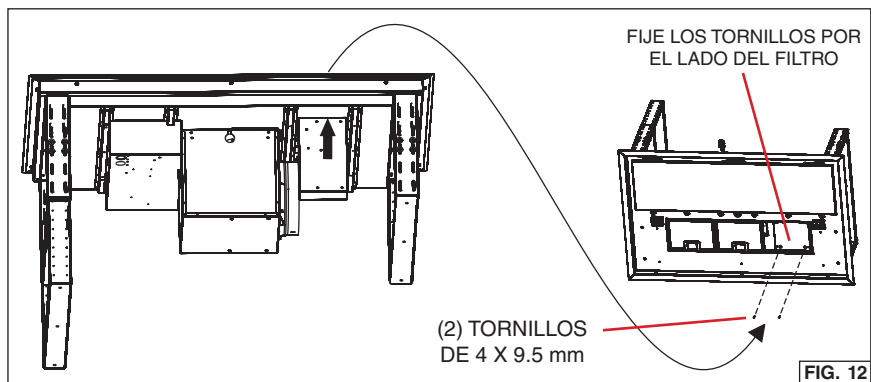
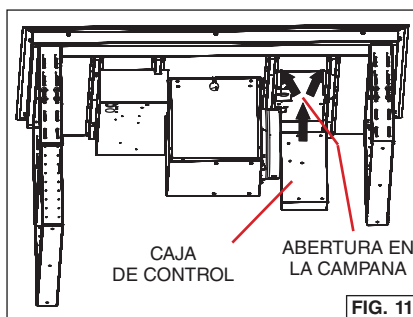
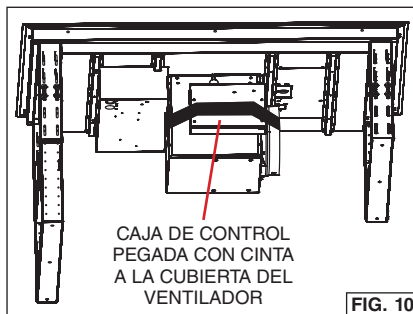


FIG. 9

FIJE LA CAJA DE CONTROL DE CONTROL

1. Retire la caja de control de un lado de la caja del ventilador. Fig. 10.
2. Inserte la caja de control en la abertura. Fig. 11.
3. Fije la caja de control con (2) tornillos 4 x 9.5 mm suministrados. Fig. 12.



INSTALACIÓN DE LA CAMPANA

⚠ PRECAUCIÓN: Se recomienda que por lo menos dos personas hagan la instalación debido al gran tamaño y peso de esta campana.

1. La campana se envía en posición de descarga de conducto horizontal y está lista para instalarse.
2. Para cambiar la dirección del conducto sin usar codos. Fig. 13:
 - Retire (2) tornillos del interior de la caja del ventilador.
 - Retire (4) tornillos de los lados de la caja del ventilador.
 - Retire el ventilador, gírelo 90 grados y reinstale (4) tornillos.
3. Levante la campana hacia la abertura del cielo raso.
4. Asegure cada marco de soporte con el marco de soporte de madera de la campana con los (6) tornillos para madera de 6 x 70 mm y las arandelas suministradas. Fig 14.
5. Ajuste la altura del marco de soporte telescópico para garantizar un ajuste apretado entre la campana y el cielo raso terminado.
6. En el collarín de descarga del ventilador, conecte el conducto que extrae el aire hacia la descarga exterior.
7. Pegue con cinta todas las uniones para garantizar un sello de aire hermético.

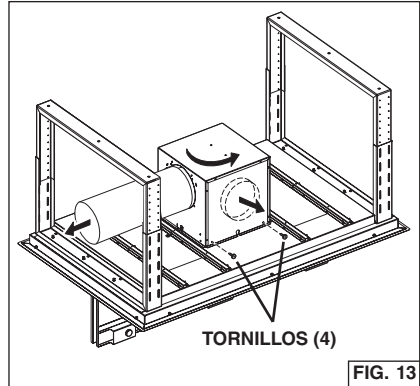


FIG. 13

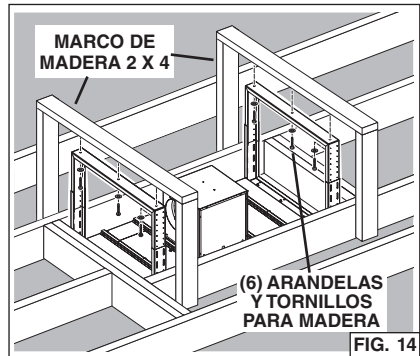


FIG. 14

CONECTE EL CABLEADO

⚠ ⚠ ADVERTENCIA: Una o más personas calificadas deben realizar el trabajo de cableado eléctrico, de acuerdo con todos los códigos y las normas correspondientes. Esta campana debe estar adecuadamente conectada a tierra.

No encienda el ventilador en el panel de servicio antes de conectar todos los cables.

1. Pase el cable eléctrico de 2 alambres y tierra de 120 VCA por el agujero ciego de $\frac{3}{4}$ pulg. (19 mm) que se encuentra en la parte posterior de la campana. Fig. 15.
2. Retire el agujero ciego eléctrico de $\frac{3}{4}$ pulg. (19 mm) de la parte posterior de la campana.

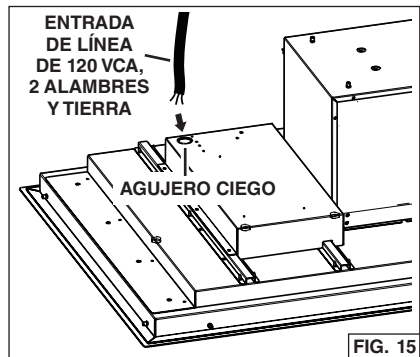
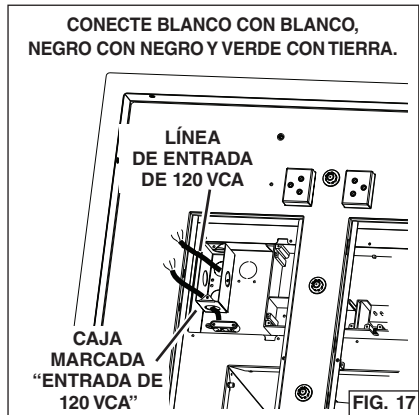
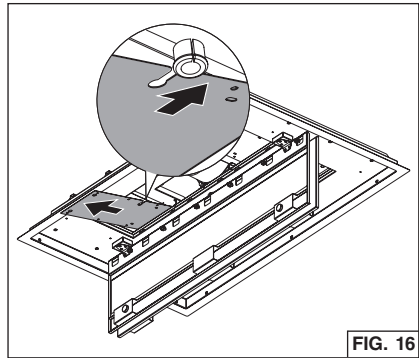


FIG. 15

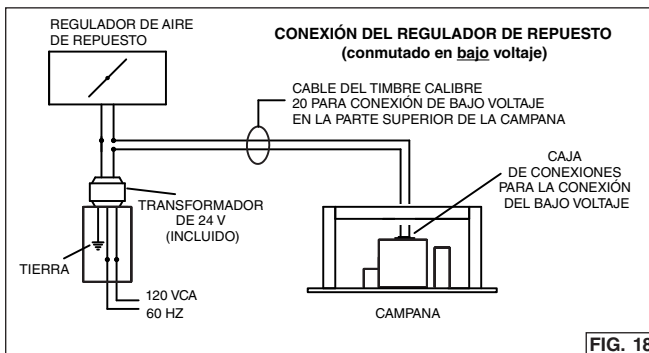
3. Desde el interior de la habitación, estire hacia abajo los dos paneles de cierre. Fig. 16.
4. Retire (4) tornillos del panel de acceso del compartimiento eléctrico. Deslice el panel hacia un lado para exponer la caja de conexiones eléctricas.
5. Desde la caja eléctrica marcada "entrada de 120 VCA", retire (2) tornillos que aseguran la cubierta a la caja de conexiones metálica. Fig. 17.
6. Estire el cable eléctrico de 120 VCA hacia la caja y asegure con una abrazadera de cable adecuada.
7. Haga las conexiones eléctricas dentro de la caja. Conecte blanco con blanco, negro con negro y verde con tierra.
8. Vuelva a colocar la cubierta de la caja de conexiones y los tornillos. Asegúrese de que los cables no queden atrapados entre la cubierta y la caja.
9. Regrese a su lugar el panel de acceso para compartimientos eléctricos y (4) tornillos.



REGULADOR DE AIRE DE REPUESTO

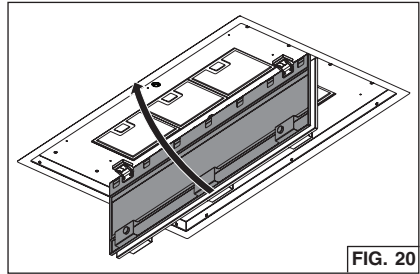
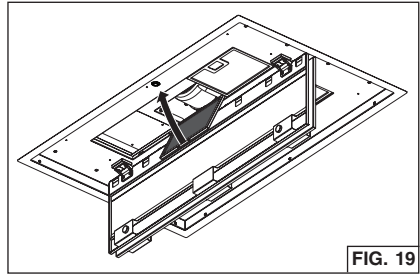
La campana es compatible con el regulador de aire de repuesto Broan, Modelo MD6T, Modelo MD8T o Modelo MD10T (opcional). Se compra por separado.

Realice la conexión del regulador de aire de repuesto con cableado de bajo voltaje, como se ilustra. Consulte información adicional en las instrucciones del regulador de aire de repuesto. (Fig. 18)



INSTALE LOS FILTROS

1. Estire hacia abajo los dos paneles de cierre como se ilustra. Fig. 19 y Fig. 20.
2. Para instalar los filtros de grasa, alinee las lengüetas posteriores del filtro con las ranuras de la campana. Empuje hacia abajo la lengüeta de cierre, presione el filtro en su posición y suelte. Asegúrese de que el filtro esté firmemente enganchado después de su instalación.
3. Para quitar los filtros para limpiarlos, empuje la lengüeta de cierre para desacoplar el filtro de la campana. Incline el filtro hacia abajo y retírelo.



CALIBRACIÓN DEL VENTILADOR IQ™

SOLO UNIDADES CON CONDUCTOS DE VENTILADOR INTERNO

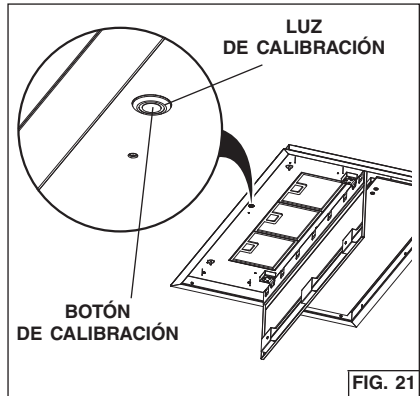
Después de instalar y cablear la campana, active el proceso de calibración (nuestra tecnología de sistema de desempeño garantizado, para asegurar que se suministre el flujo de aire nominal total). Antes de la calibración, asegúrese de que todos los filtros y el sistema de conductos estén instalados.

PROCESO DE CALIBRACIÓN Fig. 21.

Abra el panel inferior. Sostenga 3 segundos el botón de calibración y este se encenderá. Cierre el panel inferior. El ventilador arrancará y comenzará el proceso de calibración, que tardará aproximadamente 13 minutos. Cuando se termine la calibración, ocurrirá una de dos cosas:

- A. El ventilador se apaga y la luz del botón de calibración se apaga = calibración exitosa.
- B. El ventilador se apaga y el botón de calibración destella continuamente = Demasiada restricción en los conductos impide que el ventilador IQ™ obtenga el flujo de aire nominal. El ventilador se configura automáticamente en su intensidad máxima.

NOTA: Elementos comunes que provocan restricciones: el alerón del regulador está restringido (regulador de contratiro, tapa de pared, tapa de techo), demasiados codos, tamaño de conducto menor de 80% de salida de la campana, mala transición, uso de



conductos flexibles y/o conductos aplastados.

Se tienen disponibles dos opciones:

1. Presione el botón de calibración para aceptar el flujo de aire tal cual. El ventilador IQ™ está configurado ahora en su ajuste más alto posible. La luz de calibración destellante se apaga.
2. Corrija la restricción del conducto y repita el proceso de calibración.
 - a. Para despejar los datos de calibración originales, sostenga el botón de calibración 10 segundos. La luz destellará 3 veces para confirmar y la configuración del ventilador regresará a los ajustes predeterminados.
 - b. Repita el proceso de calibración.

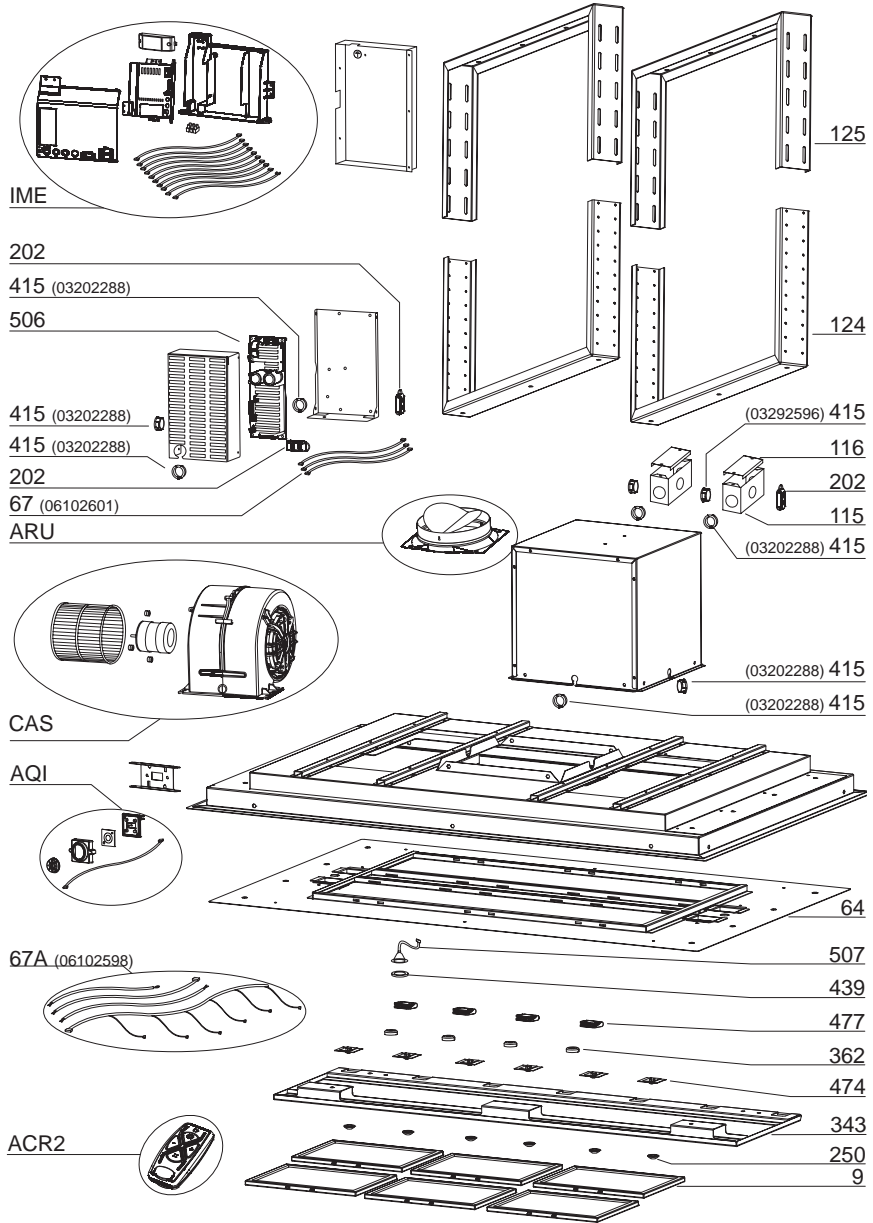
PIEZAS DE SERVICIO

Modelo CC34IQSB

CLAVE N.º	DESCRIPCIÓN	N.º DE PIEZA.
CAS	CONJUNTO DE VENTILADOR	06002259
506	CONTROLADOR BLDC	97019431
67	CABLES	06102601
202	ABRAZADERA DE CABLES	03292290
415	BUJE	03202288
IME	CONJUNTO DE INSTALACIÓN ELÉCTRICA	06145222
67A	CABLES	06102598
115	CAJA DE CONEXIÓN DEL CABLE DE ALIMENTACIÓN	E3350233
415	BUJE	03292596
116	CUBIERTA DE LA CAJA DE CONEXIÓN DEL CABLE DE ALIMENTACIÓN	E3351530
125	ESTRUCTURA TELESCÓPICA SUPERIOR	08092797
124	ESTRUCTURA TELESCÓPICA INFERIOR	E3404965
64	SOPORTE INFERIOR	03115251
507	CONJUNTO DEL BOTÓN DE CALIBRACIÓN	06102584
439	JUNTA DE HULE	02320034
474	LUZ LED	02300885
250	TUERCA ANULAR	02011389
AQI	CONJUNTO DE LA CAJA DEL INTERRUPTOR	06102585
343	PANEL DE CIERRE	08093076
477	BISAGRA	02011376
362	RESORTE DEL VISOR DE PANTALLA	02011421
9	FILTRO DE GRASA	08087804
ARU	JUEGO DE SALIDA DE AIRE DE CONEXIÓN	08092501
ACR2	CONTROL REMOTO	08999166
	HERRAJES	080810994
	INSTRUCCIONES DE INSTALACIÓN	080813623

PIEZAS DE SERVICIO

Modelo CC34IQSB



GARANTÍA

Garantía limitada

Periodo y exclusiones de la garantía: Broan-NuTone LLC (la "Compañía") garantiza al consumidor comprador original de su producto ("usted") que el producto (el "Producto") estará libre de defectos en materiales en el Producto o en la mano de obra, por un periodo de un (1) año a partir de la fecha de la compra original.

El periodo de garantía limitada para las piezas de repuesto provisto por la Compañía y para cualquier Producto reparado o reemplazado bajo esta garantía limitada continuará durante el resto del periodo de garantía original.

Esta garantía no cubre arrancadores de lámparas fluorescentes, tubos, bombillas de halógeno e incandescentes, fusibles, filtros, conductos, tapas de techo, tapas de pared ni otros accesorios para los conductos que se puedan comprar por separado e instalar con el Producto. Esta garantía tampoco cubre (a) mantenimiento y servicio normal, (b) uso y desgaste normal, (c) Productos o piezas sujetos a mal uso, abuso, uso anormal, negligencia, accidente, mantenimiento inadecuado o insuficiente, almacenamiento o reparación (que no sea reparación por parte de la Compañía), (d) daños causados por instalación defectuosa, o bien instalación o uso contrario a las recomendaciones o instrucciones, (e) cualquier Producto que se haya movido de su punto de instalación original, (f) daños ocasionados por el medio ambiente o los elementos naturales, (g) daños en tránsito, (h) desgaste natural del acabado, (i) Productos en uso comercial o no residencial, o (j) daños ocasionados por incendio, inundación u otro caso fortuito. Esta garantía cubre solamente Productos vendidos a clientes originales en los Estados Unidos por la Compañía o a distribuidores de EE. UU. autorizados por la Compañía.

Esta garantía sustituye a todas las garantías anteriores y no es transferible del comprador consumidor original.

No hay otras garantías: La Garantía Limitada contiene la única obligación de la Compañía y su recurso exclusivo para productos defectuosos. Las garantías anteriores son exclusivas y están en lugar de cualquier otra garantía, expresa o implícita. LA COMPAÑÍA NIEGA Y EXCLUYE CUALQUIER OTRA GARANTÍA EXPRESA, Y NIEGA Y EXCLUYE TODAS LAS GARANTÍAS IMPLÍCITAS POR LEY, INCLUYENDO, ENTRE OTRAS, LAS DE COMERCIALIZACIÓN Y APTITUD PARA UN PROPOSITO EN PARTICULAR. Hasta el grado que la ley correspondiente prohíba la exclusión de garantías implícitas, la duración de cualquier garantía implícita aplicable está limitada al periodo especificado para la garantía expresa anterior. Algunos estados no permiten limitaciones en la duración de una garantía implícita, así que la limitación anterior tal vez no aplique en su caso. Cualquier descripción verbal o escrita del Producto es para el único propósito de identificarlo y no deberá considerarse como una garantía expresa.

Siempre que sea posible, cada disposición de esta Garantía Limitada deberá interpretarse de tal manera que sea vigente y válida según la ley aplicable pero, si alguna disposición fuera considerada prohibida o inválida, dicha disposición quedará sin efecto únicamente hasta el grado de dicha prohibición o invalidez, sin invalidar el resto de dicha disposición o el resto de las disposiciones de la Garantía Limitada.

Recurso: Durante el periodo de garantía limitada aplicable, la Compañía, a su opción, suministrará piezas de repuesto, o reparará o reemplazará, sin cargo alguno, cualquier Producto o pieza del mismo, hasta el grado en que la Compañía lo encuentre cubierto bajo esta garantía limitada y en incumplimiento de la misma en condiciones normales de uso y servicio. La Compañía le enviará el Producto reparado o reemplazado o las piezas de repuesto sin cargo. Usted es responsable de todos los costos de retiro, reinstalación y envío, seguro u otros cargos de flete incurridos en el envío del Producto o pieza a la Compañía. Si debe enviar el Producto o la pieza a la Compañía, tal como lo indique la Compañía, debe empaquetar adecuadamente el Producto o la pieza; la Compañía no se hace responsable por los daños en tránsito. La Compañía se reserva el derecho de utilizar Productos o piezas reacondicionados, renovados, reparados o refabricados en el proceso de reemplazo o reparación de garantía. Dichos Productos y piezas serán comparables en función y desempeño a un Producto o una pieza original y tendrán garantía por el resto del periodo de la garantía original.

Exclusión de daños: LA OBLIGACIÓN DE LA COMPAÑÍA DE SUMINISTRAR PIEZAS DE REPUESTO, O DE REPARAR O REEMPLAZAR, A OPCIÓN DE LA COMPAÑÍA, SERÁ SU ÚNICO Y EXCLUSIVO RECURSO BAJO ESTA GARANTÍA LIMITADA, Y LA ÚNICA Y EXCLUSIVA OBLIGACIÓN DE LA COMPAÑÍA. LA COMPAÑÍA NO SERÁ RESPONSABLE POR DAÑOS INCIDENTALES, INDIRECTOS, RESULTANTES O ESPECIALES QUE SURJAN POR EL USO O DESEMPEÑO DEL PRODUCTO, O EN RELACIÓN CON EL MISMO

Algunos estados no permiten la exclusión o limitación de daños incidentales o resultantes, por lo que la limitación antes mencionada podría no aplicarse a usted. Esta garantía le otorga derechos legales específicos, y usted podría tener otros derechos que varían de un estado a otro.

Esta garantía cubre únicamente el reemplazo o la reparación de Productos o piezas de los mismos con defectos en la planta principal de la Compañía, y no incluye el costo del viaje para el servicio de campo ni los viáticos.

Cualquier asistencia que proporcione o procure la Compañía para usted fuera de los términos, limitaciones o exclusiones de esta garantía limitada no constituirá una renuncia a dichos términos, limitaciones o exclusiones, ni dicha asistencia extenderá o renovará la garantía.

La Compañía no le reembolsará ningún gasto en el que usted haya incurrido al reparar o reemplazar cualquier Producto defectuoso, excepto los incurridos con el permiso previo por escrito de la Compañía.

Cómo obtener el servicio cubierto por la garantía: Para tener derecho al servicio cubierto por la garantía, usted debe (a) notificar a la Compañía a la dirección o número de teléfono que aparecen abajo en un plazo de siete (7) días después de descubrir el defecto cubierto, (b) proporcionar el número de modelo y la identificación de la pieza y (c) describir la naturaleza de cualquier defecto en el Producto o la pieza. En el momento de solicitar el servicio cubierto por la garantía, debe presentar un comprobante de la fecha de compra original. Si no puede presentar una copia de la garantía limitada original por escrito, entonces regirán los términos de la garantía limitada por escrito más actualizada de la Compañía para su producto en particular. Las garantías limitadas por escrito más actualizadas para los productos de la Compañía se pueden encontrar en www.BestRangeHoods.com.

En EE. UU. – BEST® Hartford, Wisconsin 800-558-1711

En Canadá – BEST® Drummondville, QC 866-737-7770

www.BestRangeHoods.com