

---

# BERTAZZONI PROFESSIONAL SERIES

## 30" BAFFLE INSERT HOOD KIN 30 PRO X



For use with custom canopies, this high-performance insert hood with baffle filters has one motor controlled by three settings for different extraction levels. Two halogen lights give exceptionally bright worktop illumination. The removable filter elements are dishwasher safe.

### SINGLE MOTOR INSERT



The electronic controls, halogen lights and easy to remove filters provide the utmost in convenience.



TO COOK BEAUTIFULLY

## BERTAZZONI PROFESSIONAL SERIES

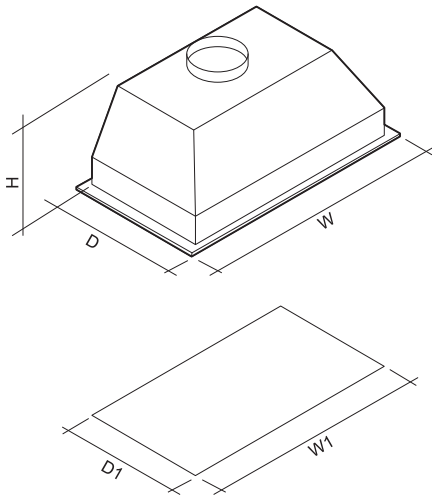
### 30" BAFFLE INSERT HOOD KIN 30 PRO X

#### FEATURES

<b>Motor</b>	3 speeds
<b>Electronic Remote Control</b>	yes
<b>Halogen lights</b>	2
<b>Filters</b>	European Baffle
<b>Motor power</b>	600 cfm

#### TECHNICAL SPECIFICATIONS

<b>Electrical Requirements</b>	120V 60Hz
<b>Max amp usage</b>	4.3 Amp
<b>Electronic control</b>	1
<b>Certification</b>	CSA
<b>Warranty</b>	2 years parts and labor
<b>Product weight</b>	23 lbs
<b>Box weight</b>	26 lbs



#### DIMENSIONS

Ref.	Description	Dimensions	
		Inches	mm
<b>D</b>	Hood max depth	15 <sup>3</sup> / <sub>4</sub>	400
<b>H</b>	Hood height	11 <sup>7</sup> / <sub>8</sub>	302
<b>D1</b>	Cut out depth	14 <sup>1</sup> / <sub>4</sub>	362
<b>W</b>	Hood width	28 <sup>3</sup> / <sub>8</sub>	722
<b>W1</b>	Cut out width	26	660

#### INSTALLATION INSTRUCTIONS

Bertazzoni recommends to operate the appliance after it has been properly installed. Please refer to the installation manual for further details.