

# KOTR24MXE

## 24" OVER THE RANGE MICROWAVE OVEN



1.4 cu.ft OTR microwave designed to install above a cooktop or range

300 CFM blower with 2 speed settings

Up to 1000 Watts microwave and 10 power settings combined with an integrated recirculating ventilation hood

Standard recirculation setting may be changed to horizontal or vertical external venting

Energy saving LED surface lighting

Touch controls with LED display

2 years parts & labor warranty

### PRODUCT FEATURES

Size	24"
Hood type	OTR-over the range
Hood finish	Stainless steel
Motor	1
Speed	2
Hood control	Touch
Lights	2 LED
Filters type	Carbon filter
Extraction power	300 CFM
Recirculation	Yes
Duct cover	Not applicable

### TECHNICAL SPECIFICATIONS

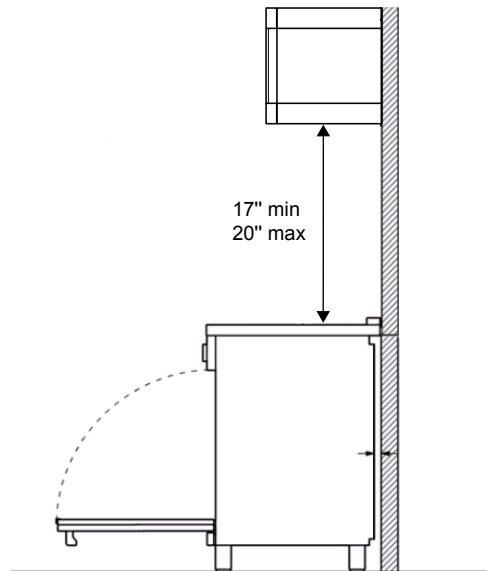
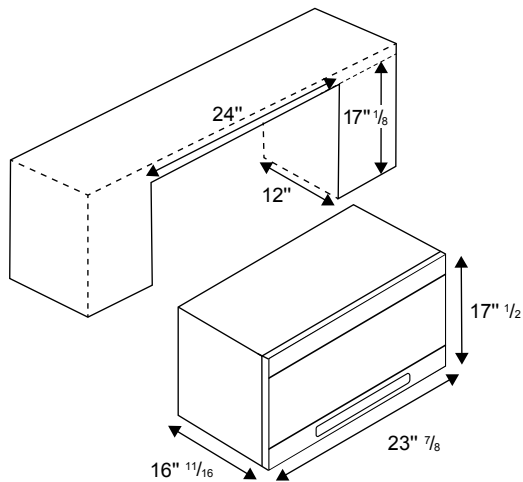
Electrical supply	120 V 60 HZ - 1500 W 20 Amp
Power connection	USA with 39" power cord
Certification	cUL,UL
Warranty	2 years parts & labor
Packaging dimensions and weight	W 20.3" H 26.9" D 21.3" 58.3 lbs

# KOTR24MXE

24" OVER THE RANGE MICROWAVE OVEN



## INSTALLATION DRAWING



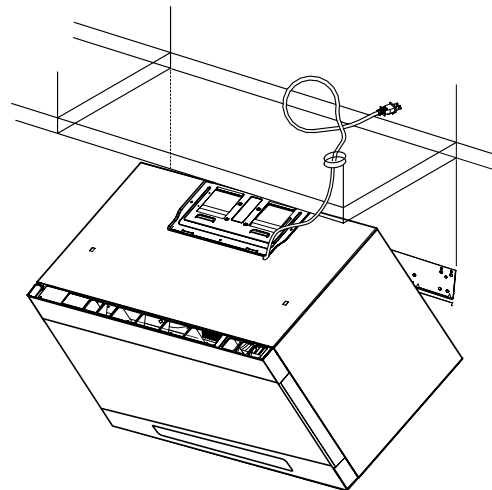
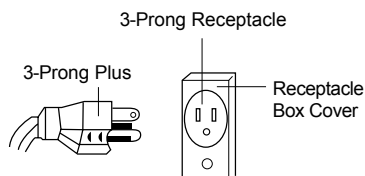
## ELECTRICAL CONNECTION

The Power Supply Cord and plug must be connected to a separate 120 Volt AC 60 Hz, 15 Amp or more branch circuit, single grounded receptacle.

The cord has a 3-pronged plug and must be installed into an outlet that is properly grounded.

The electrical receptacle must be within the minimum cord length of 39" 3/8

### WHEN USING 3-PRONGED PLUG



This model can also be installed for external venting. For full installation details and requirements consult the installation manual.

Bertazzoni recommends to operate the appliance after it has been installed in a cabinet. The kitchen cabinets shall be made of materials capable of withstanding temperatures at least 117°F (65°C) above room temperature in order to avoid possible damage to the cabinets during oven usage. For further installation instructions refer to the installation manual.