

REF24PR

REFRIGERATOR 24" BOTTOM MOUNT INTEGRATED PANEL READY



PRODUCT FEATURES

Style	Panel ready bottom mount
Interior finish	White
User interface	Touch control on interior side wall
Lighting	LED on top
Refrigerator shelves	3 full-width
Refrigerator crisper	1 full-width with slider to store fruit and vegetables
Added storage space	Full-width and depth storage space under crisper
Door storage	3 bins
Freezer drawers	3
Ice maker	No

INTERIOR CAPACITY

Total volume	8.8 cu.ft
Refrigerator	6.4 cu.ft
Freezer	2.4 cu.ft

TECHNICAL SPECIFICATIONS

Voltage, Frequency, Amps	115V/60Hz - 0.8 Amps 85W
Power connection	125V 3-prong plug 67" cord
Certification	UL / CEC / DOE
Energy Star	Yes
Warranty	2 years parts & labor
Packaging dimensions and weight	W 22.8" H 74" D 23" Net Weight 157.63 lbs Gross Weight 144.4 lbs

Optimized airflow design keeps temperature constant and even throughout entire refrigerator

Total No-Frost system: automated defrosting of evaporator ensures food stays always fresh

Full-width humidity-controlled crisper

Electronic touch interface with user-friendly controls for Temperature

LED lighting

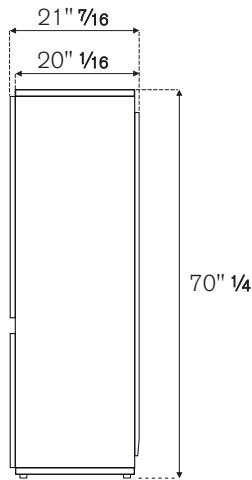
Panel ready door, reversible for left or right swing installation with sliding hinge panel mounting system.

REF24PR

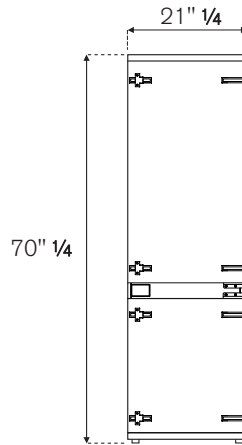
REFRIGERATOR 24" BOTTOM MOUNT INTEGRATED PANEL READY



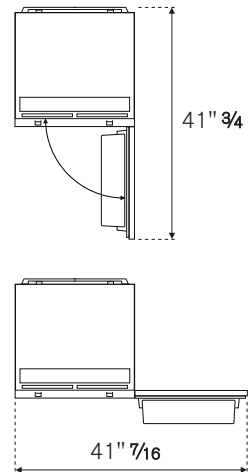
SIDE



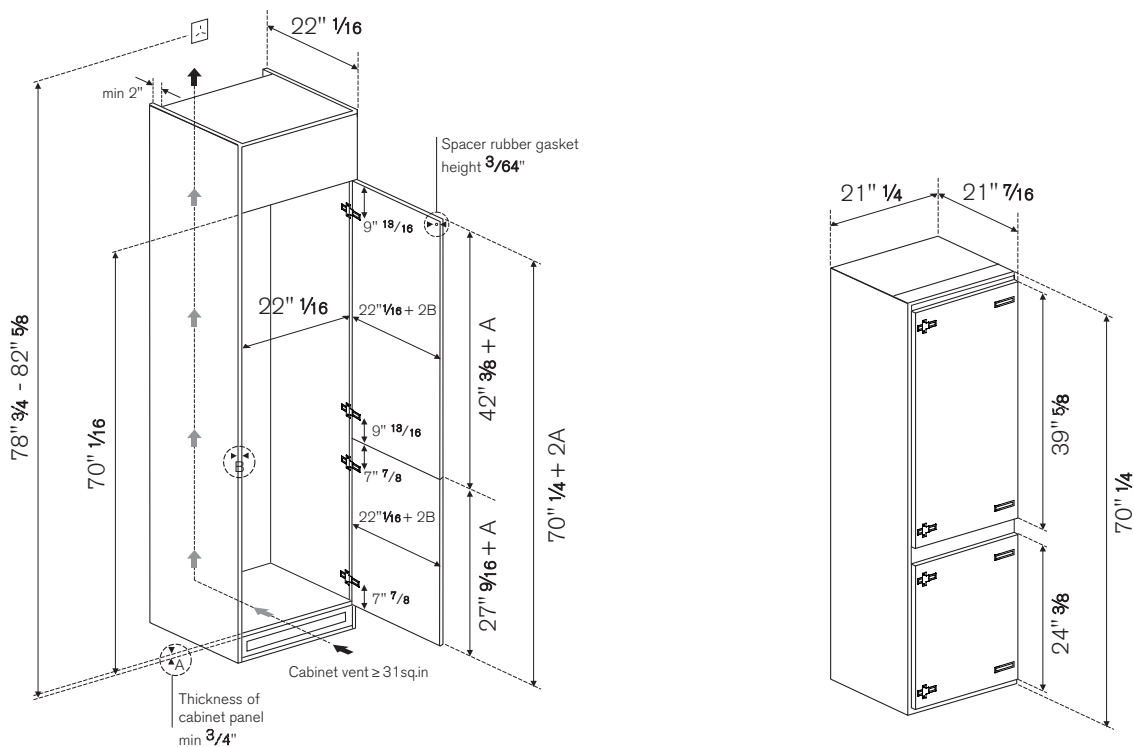
FRONT



TOP



CUTOUT DIMENSIONS



The refrigerator is installed on the cabinet base shelf and not on the kitchen floor.

CABINET PANELS

The max weight for the cabinet panels is 66 lbs (30kilos) per panel. Do not exceed this maximum weight