



---

Installation guide

---

Notice d'installation



<b>1 IMPORTANT INSTRUCTIONS</b>	<b>4</b>
1.1 Important safety instructions.....	4
1.2 Children safety.....	4
<b>2 TECHNICAL REQUIREMENTS</b>	<b>4</b>
2.1 Appliance features and installation requiremens.....	4
2.2 Installation cutout features: panel ready.....	6
2.3 Installation cutout features: panel installed.....	7
<b>3 PREPARING THE INSTALLATION</b>	<b>8</b>
3.1 Transport to installation site and unpacking.....	8
3.2 Electrical and water connection.....	8
3.3 Energy: Alternatives and Home Automation.....	9
3.4 Levelling.....	9
<b>4 CUTOUT DIMENSIONS</b>	<b>10</b>
4.1 Cutout dimensions and installation.....	10
4.2 Flush installation with standard trims.....	10
<b>5 PANELS MOUNTING</b>	<b>11</b>
5.1 Decorative door panel layout.....	11
5.2 Decorative panel for fridge column.....	13
5.3 Decorative panels layout for wine column with glass door.....	14
5.4 Panel dimensions column models.....	15
5.5 Mounting panels to the door.....	16
<b>6 INSTALLATION</b>	<b>18</b>
6.1 Built-in installation of single appliance.....	18
6.2 Built-in installation of two or more appliances.....	18
6.3 Maximum cabinet depth over panel ready appliance with single door panel.....	20
<b>7 COMPLETING THE INSTALLATION</b>	<b>21</b>
7.1 Anti-tipping safety assembly.....	21
7.2 Ventilation.....	22
7.3 Post installation control.....	23
7.4 Start up.....	23

# 1. IMPORTANT INSTRUCTIONS

## 1.1 Important safety instruction

Symbols used in the Guide:



### Note

Tips for the correct use of the appliance



### Important

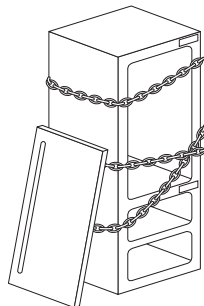
Directions to avoid appliance damage



### Warning

directions to prevent injury

## 1.2 Children safety



DANGER: Risk of child entrapment. Before you throw away your old refrigerator, freezer or wine cellar:

- Take off the doors
- Leave the shelves in place so that children may not easily climb inside.



### Important!

Dimensions in parentheses are in inches.

Weights in parentheses are in pounds.

Temperatures in parentheses are in Fahrenheit degrees.

# 2. TECHNICAL REQUIREMENTS

## 2.1 Appliance features and installation requirements

Appliance dimensions panel ready

### 18"

w: 456 mm (17 15/16")

h: 2120 mm (83 1/2")

d: 615 mm (24 1/4")

### 24"

w: 609 mm (24")

h: 2120 mm (83 1/2")

d: 615 mm (24 1/4")

### 30"

w: 761 mm (29 15/16")

h: 2120 mm (83 1/2")

d: 615 mm (24 1/4")

### 36"

w: 913 mm (35 15/16")

h: 2120 mm (83 1/2")

d: 615 mm (24 1/4")

Appliance dimensions panel installed

### 18"

w: 456 mm (17 15/16")

h: 2120 mm (83 1/2")

d: 620 mm (24 3/8")

### 24"

w: 609 mm (24")

h: 2120 mm (83 1/2")

d: 620 mm (24 3/8")

### 30"

w: 761 mm (29 15/16")

h: 2120 mm (83 1/2")

d: 620 mm (24 3/8")

### 36"

w: 913 mm (35 15/16")

h: 2120 mm (83 1/2")

d: 620 mm (24 3/8")

Weight with packaging	<b>18"</b> up to 150 kg (331 lb)
	<b>24"</b> up to 170 kg (375 lb)
	<b>30"</b> up to 190 kg (419 lb)
	<b>36"</b> up to 200 kg (441 lb)
Voltage	AC 110 - 120V 60Hz
Power supply cable	90° Nema 5-15P
Potable water supply pressure	from 0.05 MPa to 0.5 MPa (0.5 Bar - 5 Bar)
Water connection	3/4" NPT (1/4" elbow adapter included)
Provided installation accessories	<ul style="list-style-type: none"> <li>- Customized panels mounting Kit</li> <li>- Anti-tipping Kit (B04000200)</li> <li>- Lateral connecting kit (KCLIT/KCLIH)</li> <li>- 4 mm (1/8") allen wrench</li> </ul>
Additional equipment necessary	<ul style="list-style-type: none"> <li>- Phillips head screwdriver</li> <li>- wood drill</li> <li>- 2.5 mm (1/8") bit for wood</li> <li>- 8 mm (3/8") bit for walls</li> <li>- 10 mm (3/8") bit for walls</li> <li>- 17 mm (11/16") wrench</li> <li>- 19 mm (3/4") wrench</li> </ul>

# 2. TECHNICAL REQUIREMENTS

## 2.2 Installation cutout features: panel ready

**A** - area to be left clear for the anti-tipping brackets

### Minimum cutout Height

2130 mm (83 7/8")

### Minimum cutout Width

36": 914 mm (36")

30": 762 mm (30")

24": 610 mm (24")

18": 457 mm (18")

### Minimum cutout Depth

615 mm (24 1/4") + panel thickness for flush install

### Door Swing Clearance

36": 1489 mm (58 5/8")

30": 1338 mm (52 5/8")

24": 1187 mm (46 3/4")

18": 1036 mm (40 3/4")

### Door Opening Angle

100°

### Width

36": 913 mm (35 15/16")

30": 913 mm (29 15/16")

24": 609 mm (24")

18": 456 mm (17 15/16")

### Height

2120 mm (83 1/2") + 25 mm (1")

### Depth with door (without panel)

615 mm (24 1/4")

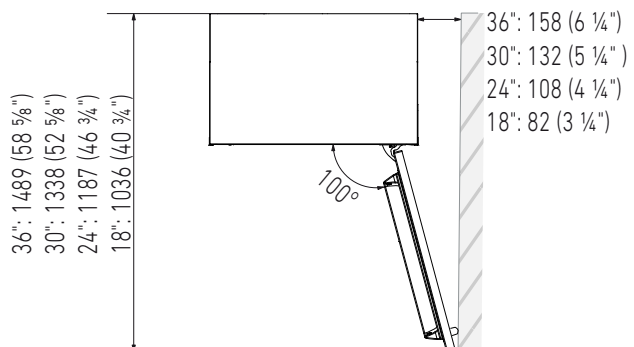
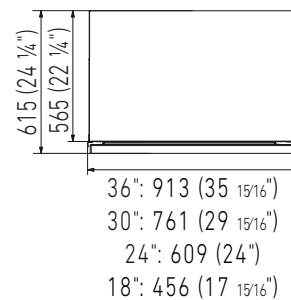
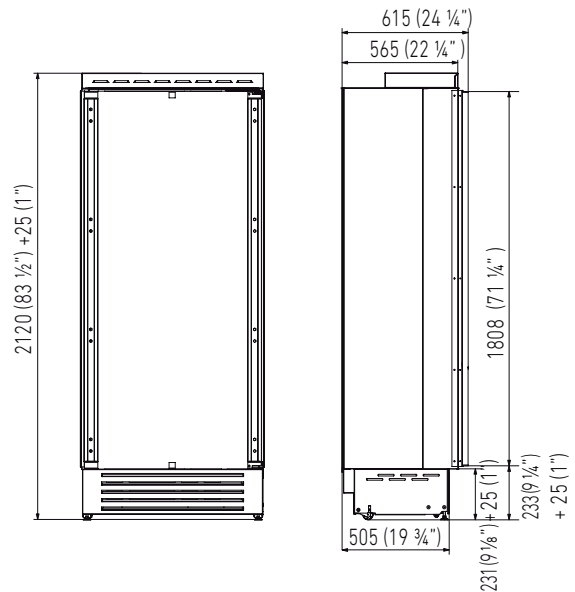
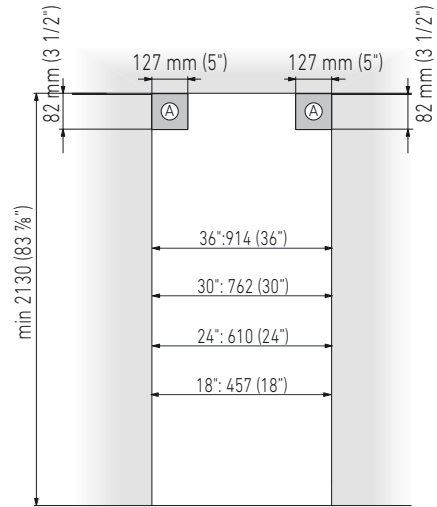
### Minimum distance from the wall (hinge side)

36": 158 mm (6 1/4")

30": 132 mm (5 1/4")

24": 108 mm (4 1/4")

18": 82 mm (3 1/4")



## 2.3 Installation cutout features: panel installed

**A** - area to be left clear for the anti-tipping brackets

### Minimum Cutout Height

2130 mm (83 7/8")

### Minimum Cutout Width

36": 914 mm (36")

30": 762 mm (30")

24": 610 mm (24")

18": 457 mm (18")

### Minimum Cutout Depth

635 mm (25")

### Door Swing Clearance

36": 1487 mm (58 1/2")

30": 1336 mm (52 5/8")

24": 1185 mm (46 5/8")

18": 1034 mm (40 3/4")

### Door Opening Angle

100°

### Width

36": 913 mm (35 15/16")

30": 761 mm (29 15/16")

24": 609 mm (24")

18": 456 mm (17 15/16")

### Height

2120 mm (83 1/2") + 25 mm (1")

### Depth with door

620 mm (24 3/8")

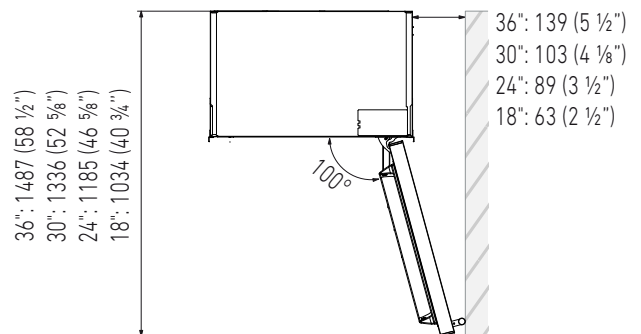
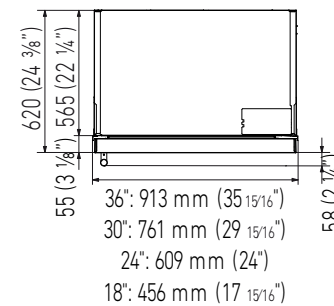
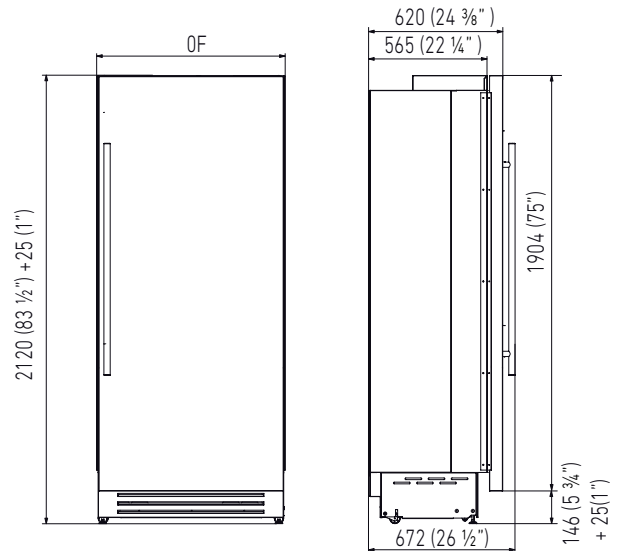
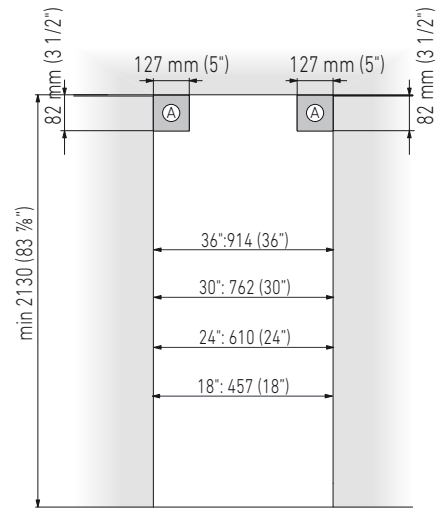
### Minimum distance from the wall (hinge side)

36": 139 mm (5 1/2")

30": 103 mm (4 1/8")

24": 89 mm (3 1/2")

18": 63 mm (2 1/2")



# 3. PREPARING THE INSTALLATION

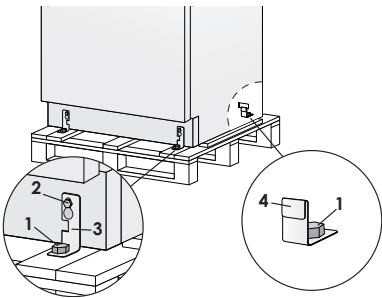
## 3.1 Transport to installation site and unpacking



The appliance is very heavy. Take maximum care during handling to avoid injury.



The appliance should always be transported in an erect position. Avoid at all costs leaning it on its front side.



Since this is a large and heavy appliance, before transporting the appliance, check the access to the location where it will be installed (door size, manoeuvring space in stairwells, etc.).

The appliance is attached to the base of the packaging (pallet) through four bolts which can be removed using a 19 mm (3/4") wrench.

It is recommended to use a manual transporting device to move the appliance to the installation site, and only at this point to remove the base of the packaging. The appliance should always be transported in an erect position.

If this is not possible, transport the appliance laying on its rear side.

Once at the installation site, the appliance, which is equipped with four wheels, can be taken off the pallet and positioned in the installation area.

### Operate as follows:

- Take off the four boltshsecuring **[ 1 ]** the appliance to the pallet by means of a 19 mm (3/4") wrench or socket.
- Remove the fixing brackets **[ 3 ]** and **[ 4 ]**.
- To release the front fixing bracket **[ 3 ]**, unscrew the rear wheel adjusting bolt **[ 2 ]** by means of a 13 mm (1/2") wrench or socket. Avoid straining this bolt at its stop points one way or the other so as to not damage the rear leveling system.

Ensure the front leveling legs are retracted so that all 4 wheels are able to contact the floor for easiest maneuvering.

- From the back of the unit and by means of a suitable, high duty hand trolley, take off the appliance and place it on the floor.

Be very careful to avoid any damage to floors. Delicate floors should be protected with plywood, hard cardboard or similar material panels.

## 3.2 Electrical and water connection




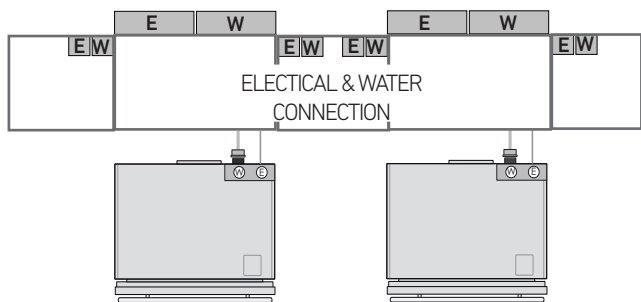
The Built-in filter cannot make it safe to drink any water which is not suitable for human consumption.



The appliance should be connected only to a potable water supply system.



Do not use extension cords or adapters. Once the appliance is fully installed, connected to the water supply (if applicable) and operational, in the event that the water supply must be turned off, (touch the button  on control panel to disable the ice maker) before the main water is shut off to prevent the appliance from entering a 'NO WATER IN' alarm state.



The appliances are delivered from the factory for operation at 110V-120V AC - 60Hz (US and Canada).

They are provided with a suitable supply cable and plug to be connected to an appropriate 15A socket providing an effective grounding.

A dedicated 15A circuit breaker should also be installed and should be easily accessible so that it can be easily switched off before performing any installation or maintenance.

To connect to the water supply system (for appliances equipped with ice makers) a 1/4" waterline with accessible shut-off valve must be supplied.

The appliance is provided with a water adapter elbow which is suitable for the recommended water pressure and complies the applicable food and water regulations..

The water filter cartridge, which is provided with the appliance, should be installed according to the accompanying instructions. The solenoid connection on the appliance is 3/4" diameter but is metric threaded (NPT). A standard garden hose threaded connector such as a braided stainless hose found at typical hard-

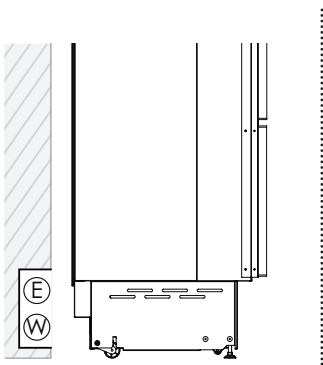


ware stores will strip or damage the solenoid threads. It is recommended to use only the supplied 1/4" quick connect elbow adapter for connecting a 1/4" copper Wor polyethylene source water line to the appliance.



Do not use extension cords and/or multiple adapters for the power supply connection.

## ELECTRICAL AND WATER SUPPLY BEHIND THE UNIT



### 3.3 Energy: Alternatives and Home Automation

If energy is supplied through an alternative energy power source (solar, geothermal, etc..) or if home automation systems are installed with carrier signals in the power lines, it may be necessary to install an isolation transformer (not supplied) to prevent interference with the appliance's electronics.

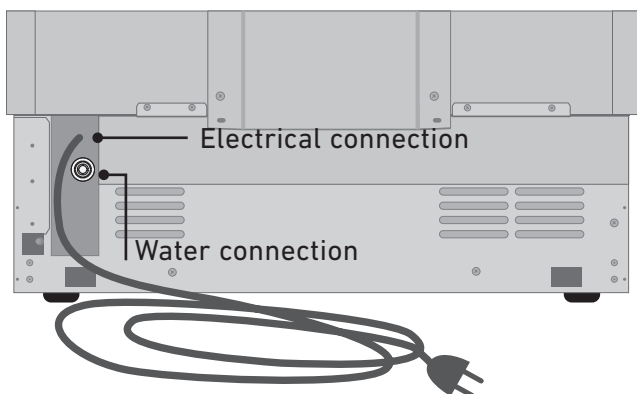

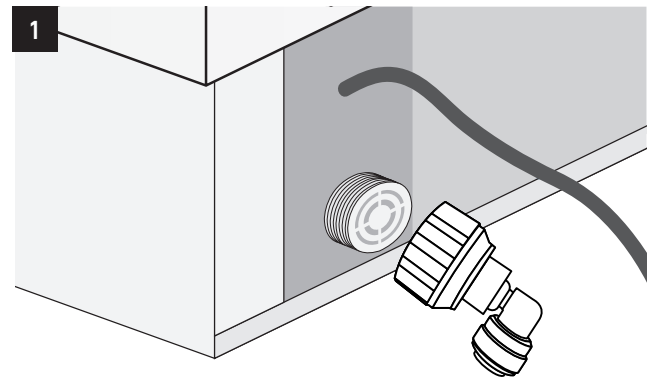


fig.1 Back of appliance

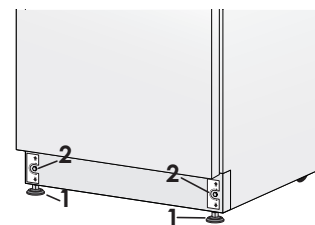
### Operate as follows:

- > Unwind the electric cable and connect it directly to the wall socket.
- > Make sure the appliance is in the Stand-by condition and that all lights are off; should it be not so press the Unit button  to switch it off.
- > Connect the water cable behind the appliance [ 1 ].



### 3.4 Levelling

Adjust the appliance level by means of the front levelling feet and the rear adjustable wheels.

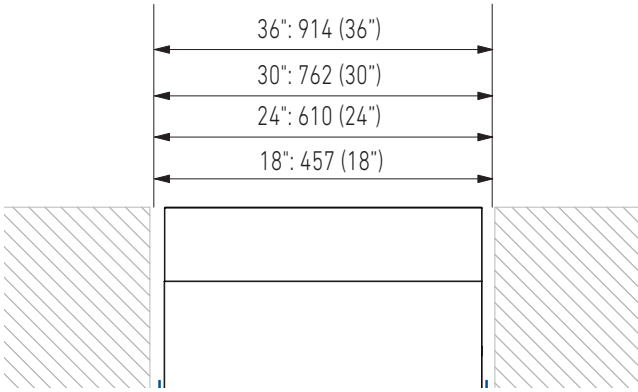


### Operate as follows:

- > If necessary, remove the bottom plinth or grille (it is kept in position by magnets), adjust the height of the levelling feet [ 1 ] by means of a 17 mm (11/16") wrench.
- > Then adjust the height of the rear wheels by turning the front adjusting bolts [ 2 ] clockwise (raise) or counter-clockwise as it may be required.
- Take care if using a power driver for this and lower the clutch to prevent damaging the leveling mechanism.
- > Remount the bottom plinth or grille.

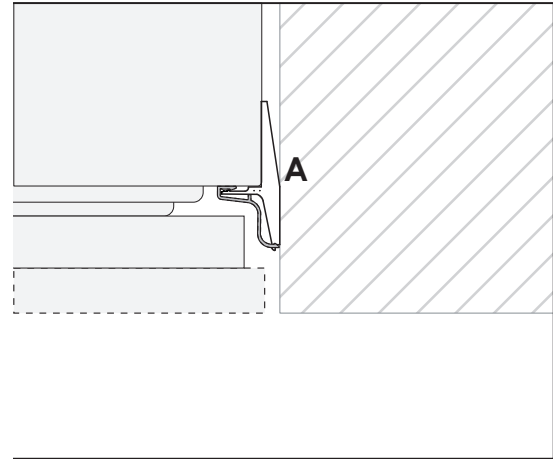
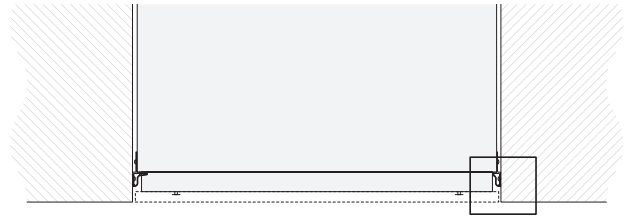
# 4. CUTOUT DIMENSIONS

## 4.1 Cutout dimensions and installation



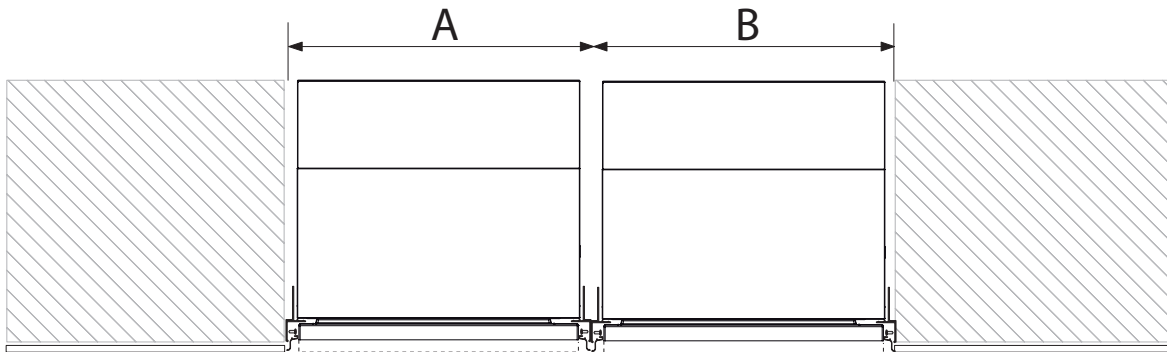
Series	Cutout width	Panel Width
36"	914 (36")	908 (35 3/4")
30"	762 (30")	756 (29 3/4")
24"	610 (24")	604 (23 3/4")
18"	457 (18")	451 (17 3/4")

## 4.2 Flush installation with standard trims



A - KCLITU: Lateral connection Kit (included)

## Cutout dimension for combined installation



		A			
		18"	24"	30"	36"
B	18"	36"(914mm)	42"(1067mm)	48"(1220mm)	54"(1372mm)
	24"	42"(1067mm)	48"(1220mm)	54"(1372mm)	60"(1520mm)
	30"	48"(1220mm)	54"(1372mm)	60"(1520mm)	66"(1676mm)
	36"	54"(1372mm)	60"(1524mm)	66"(1676mm)	72"(1829mm)

## 5.1 Decorative door panel layout

The dimensions of the panels are indicated in the table and drawings on subsequent pages.

Nevertheless, according to the requirements for aligning with other kitchen structures, the door panel can be higher than the upper edge of the refrigerator door.

The panels must be mounted using special brackets which attach to adjustable devices provided on the door and drawer and with brackets that anchor and adjust the panel's vertical direction.

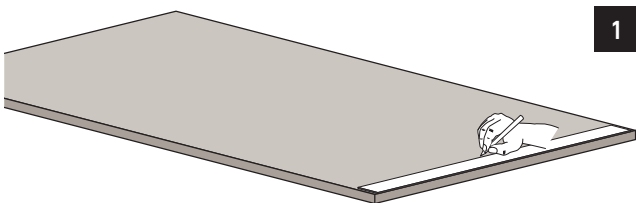
Brackets and fixing screws are provided with the appliance and must be applied to the panel as indicated.

### Operate as follows:

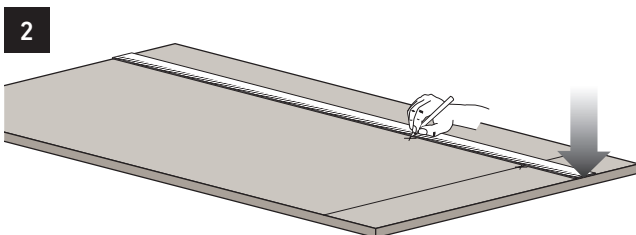
To prepare the panels to be mounted on the appliance, follow these steps, working on the back of the panel.

#### Door Panel

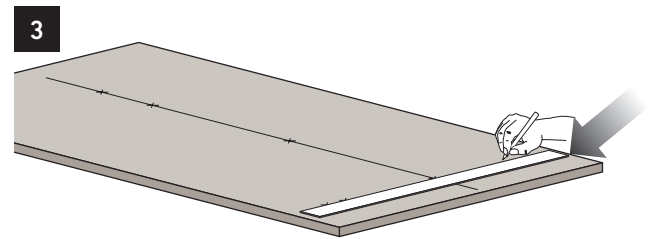
> Draw a vertical center line on the panel from top to bottom [ 1 ].



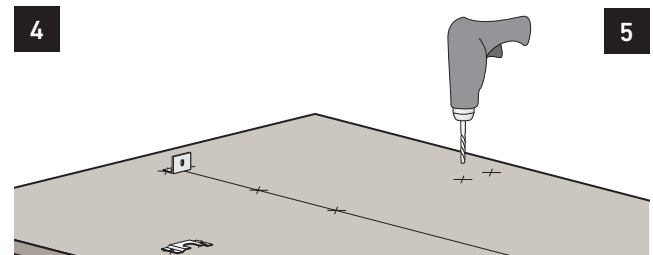
> Starting from the bottom edge of the panel, mark the positioning of the brackets [ 2 ].



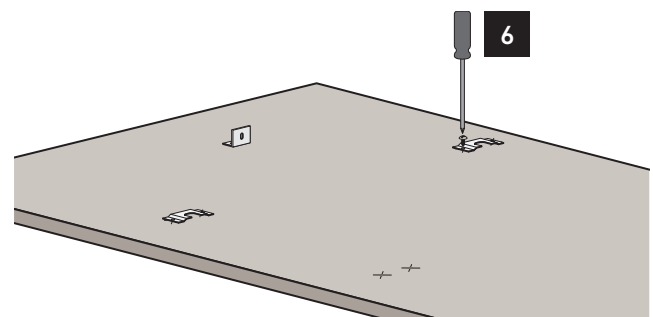
> Following the corresponding table, mark the external and then the internal hole [ 3 ].



> Position the brackets on each set of marks to make sure they are aligned [ 4 ], if you choose to drill small pilot holes for the screws pay special attention to not pass through the panel entirely. [ 5 ].



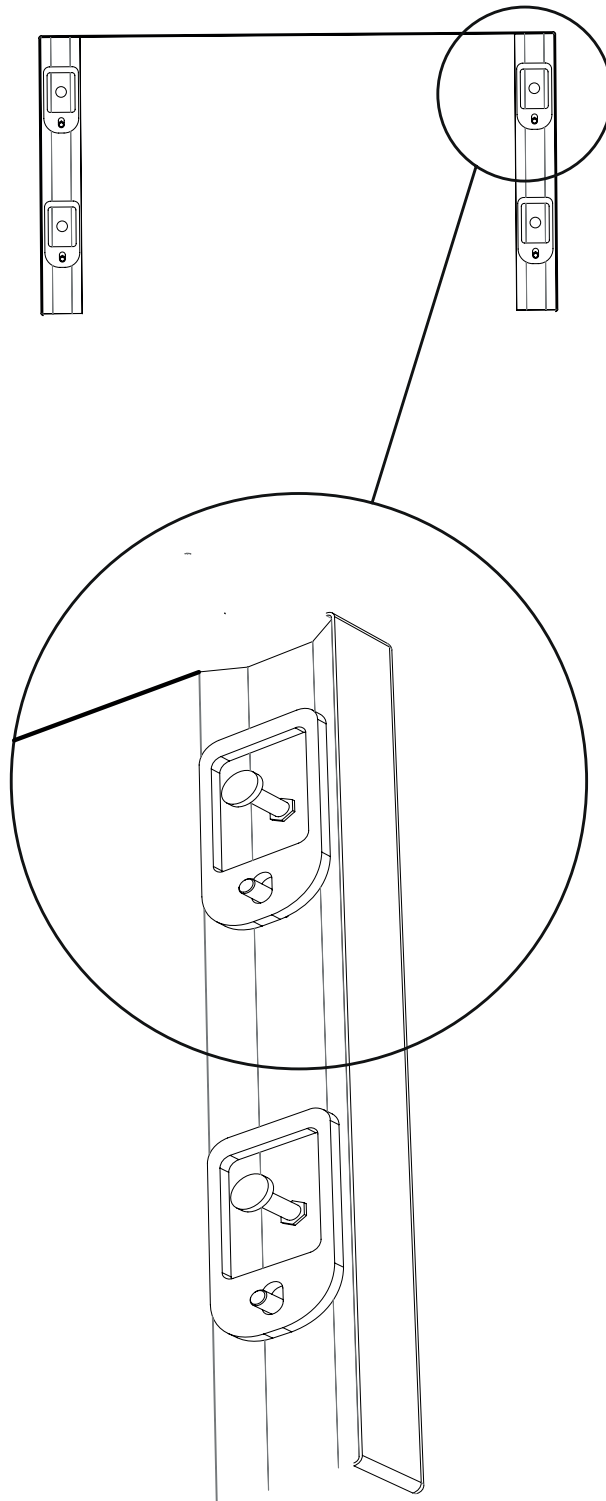
> Screw the brackets in place [ 6 ].



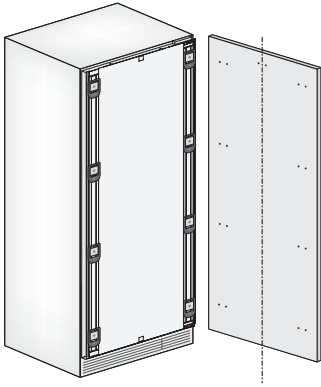
## 5. PANELS MOUNTING

► Prepare the appliance door for panel mounting by threading the shoulder bolts into the recessed receivers and the set screws into the other hole **[7]**. Ensure the end with the hex key socket is threaded into the door and not on the visible end. Thread this in far enough that it is flush with appliance door face so as not to interfere with hanging the panel. You will adjust these later.

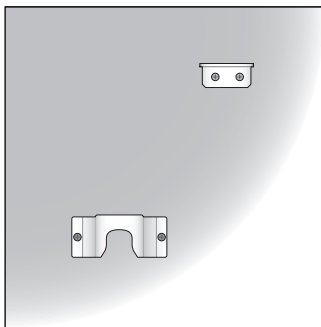
7



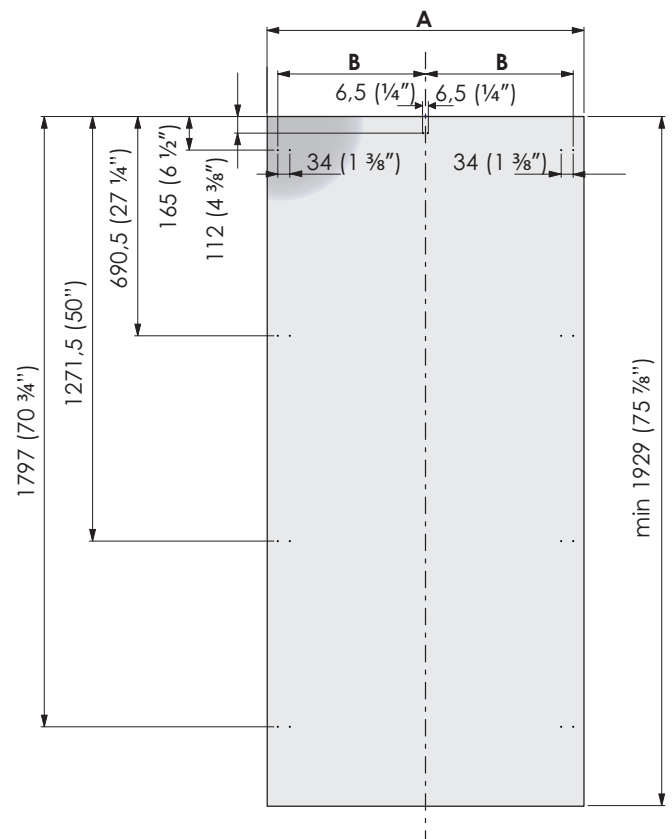
## 5.2 Decorative panel for fridge column



	36"	30"	24"	18"
<b>A</b>	908 (35 3/4")	756 (29 3/4")	604 (23 3/4")	451 (17 3/4")
<b>B</b>	418 (16 1/2")	343 (13 1/2")	275 (10 7/8")	200 (7 7/8")

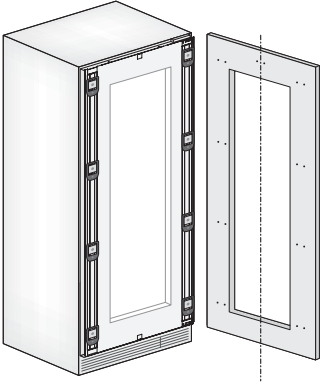


Holes positions:



# 5. PANELS MOUNTING

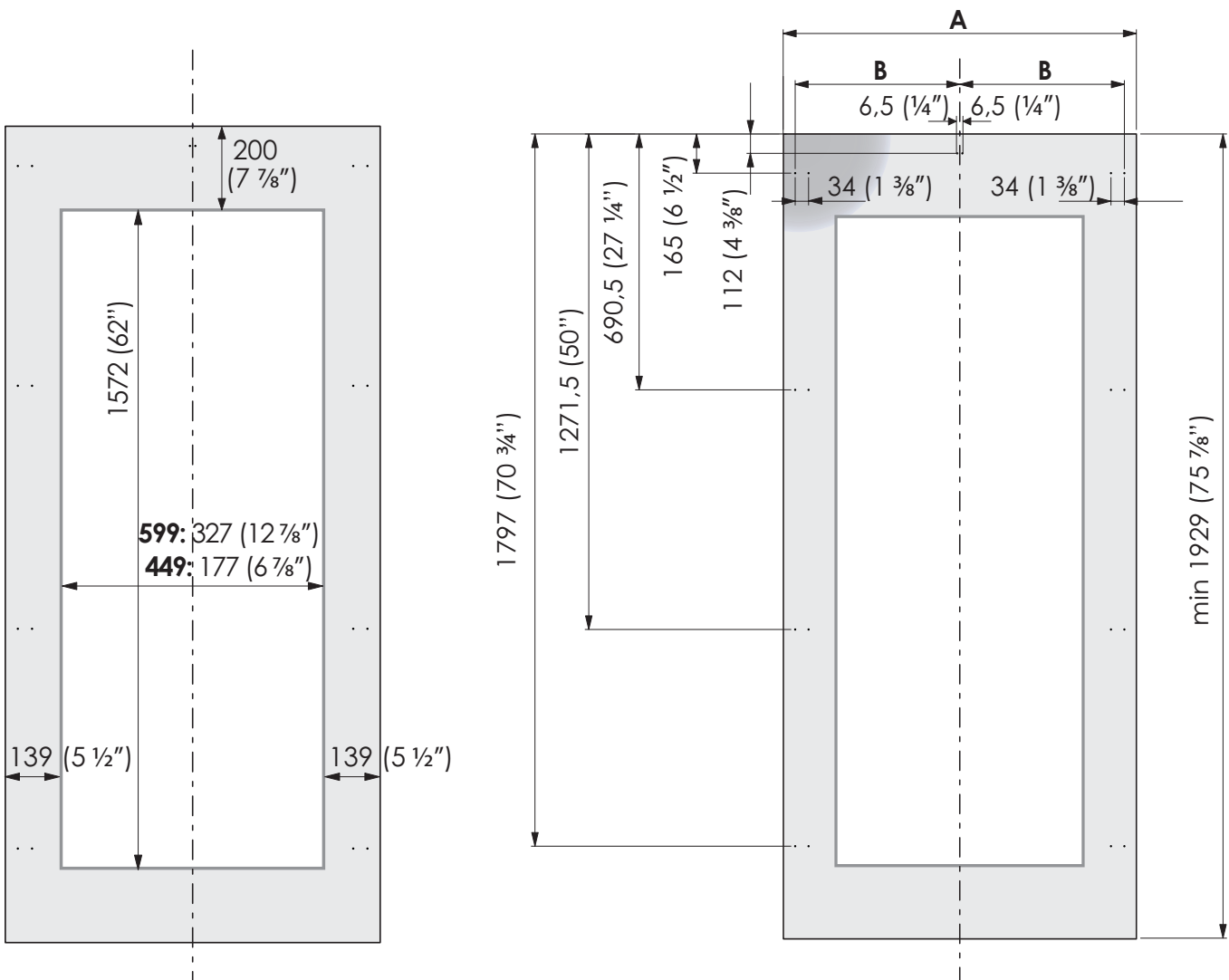
## 5.3 Decorative panels layout for wine column with glass door



	24"	18"
<b>A</b>	604 (23 3/4")	451 (17 3/4")
<b>B</b>	275 (10 7/8")	200 (7 7/8")

Door window dimensions:

Holes positions:



## 5.4 Panel dimensions column models

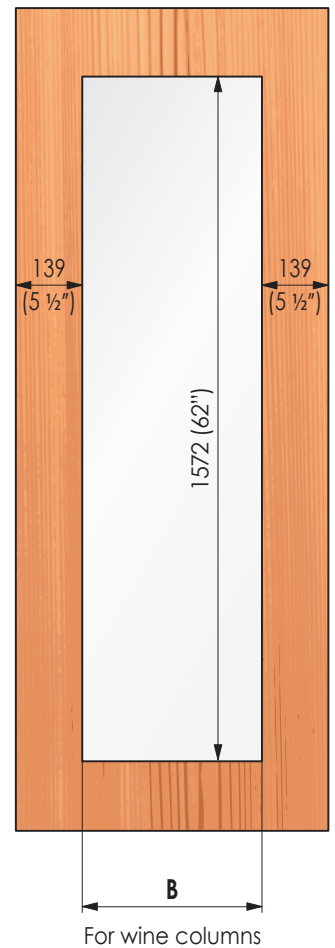
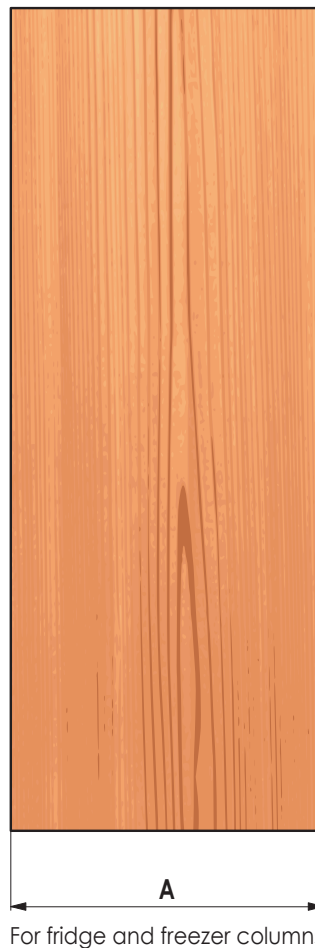
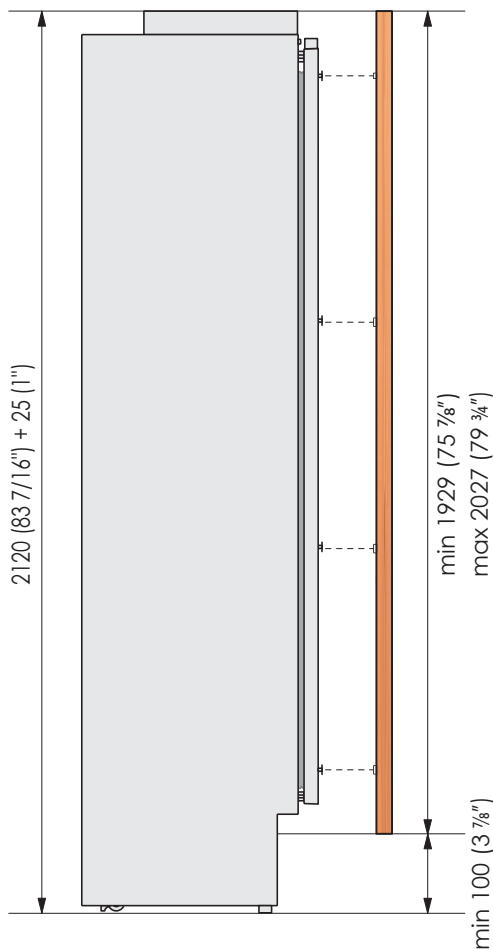
Panels with width ranging between 19 mm (3/4 ") and 28 mm (1 1/8 ").

Door panels with weight max of 34 kg (75 lb)

Exceeding these weights could void your warranty for any service issues which can be attributed to overweight panels.


The hinging mechanism on Bertazzoni appliances is considered to be `Zero-clearance`. The door and drawer widths specified below assume the minimum cutout width is being used and a 3.5mm (1/8") reveal is desired around the panels. Adjust your panel dimensions accordingly to your own design criteria considering your cutout width and your reveal. Minimum reveal / gap should not be less than 1.5mm (1/16").

SERIES	DOOR WIDTH A	DOOR GLASS WINDOW WIDTH B
36"	908 (35 3/4")	-
30"	756 (29 3/4")	-
24"	604 (23 3/4")	327 (12 7/8")
18"	451 (17 3/4")	177 (6 7/8")

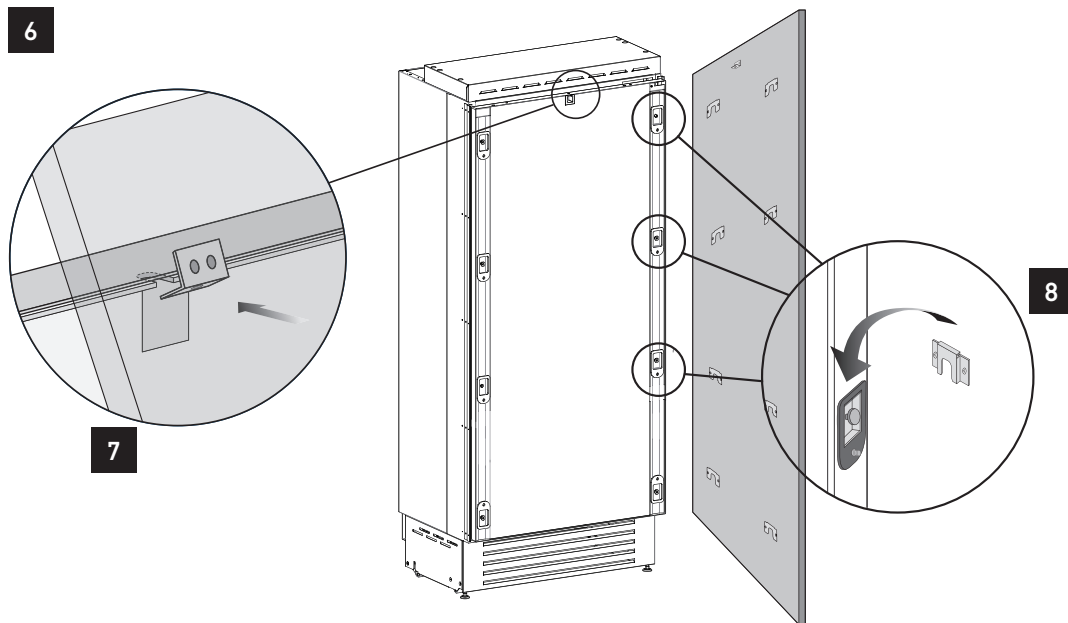


# 5. PANELS MOUNTING

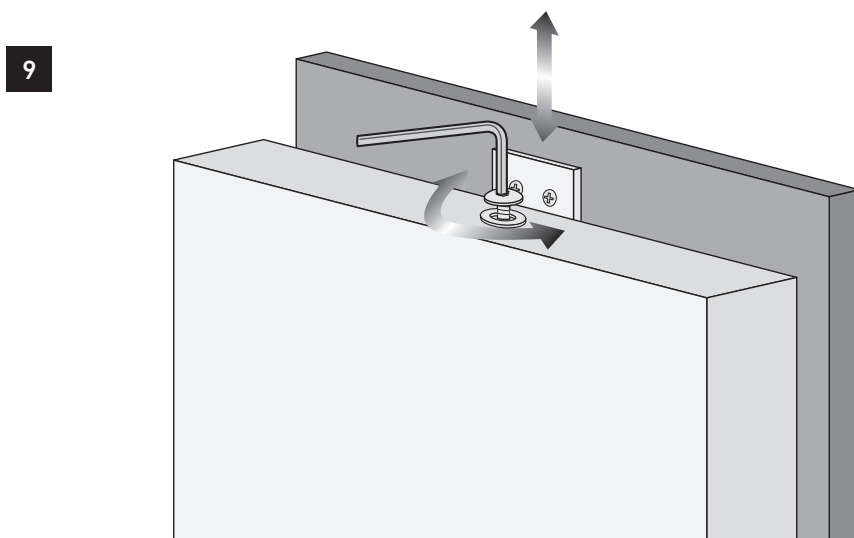
## 5.5 Mounting panels to the door

 Once all brackets and small brackets have been applied to the panels, you can begin installing the bottom drawer.

> Hook the panel to the fixing devices starting from the top aligning brackets **[6]**.



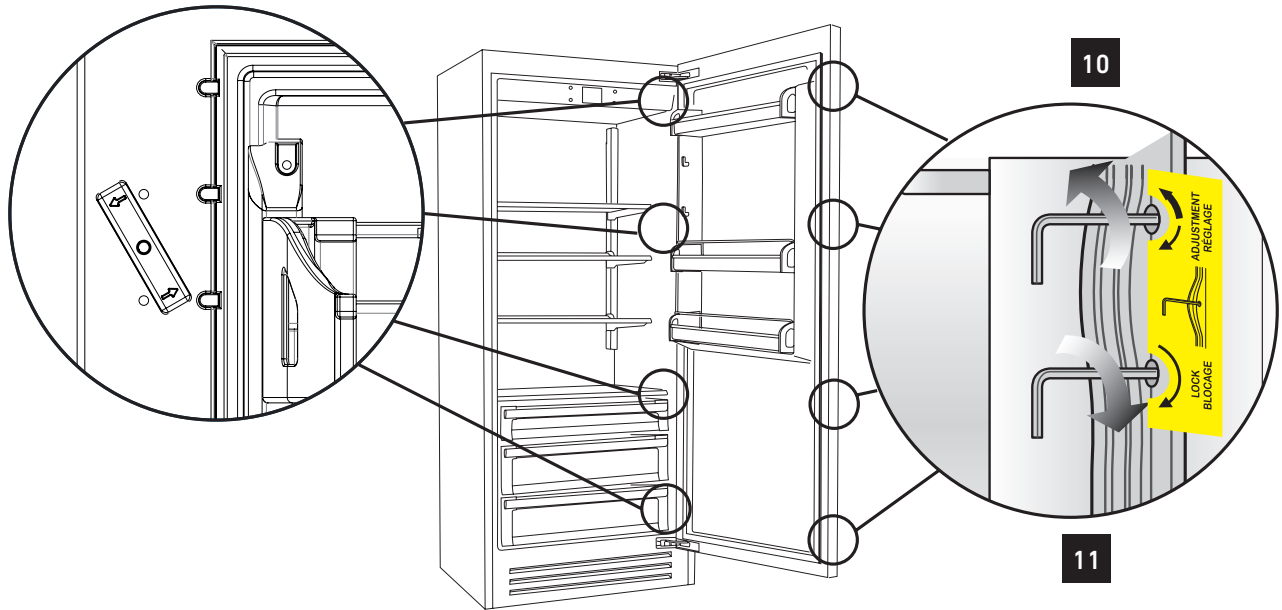
> At this point, alignment between the panel and adjacent cabinets can be adjusted using the alignment brackets and small brackets **[7]** and **[8]**.




> Vertical alignment: tighten or loosen the screw in the brackets to raise or lower the panel **[9]**.



> Depth alignment: working from the inside of the door, after lifting up the magnetic seal on the handle side and rotating the plastic covers on the hinge side, adjust the panel position in the Z-direction by adjusting the shoulder bolts and setscrews with the 4mm hex key in conjunction with each other finally locking each mounting position in place. **[ 10 & 11 ]**.



 Once the front panel has been adjusted, check that the gasket has been repositioned correctly to assure the door/drawer are closing correctly and avoid operational errors of the unit.

The product handle is not included in the appliance packaging, but it has to be bought separately. For handle installation, please refer to the instruction included in handle's package.

# 6. INSTALLATION

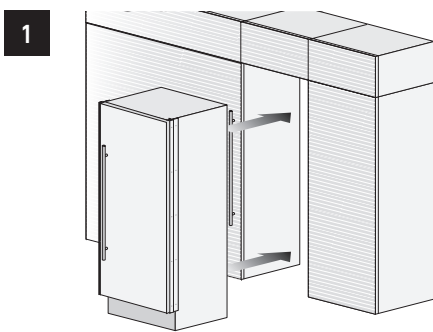
**IMPORTANT:** The following instruction for installation apply to all Bertazzoni models.

## 6.1 Built-in installation of single appliance

For a built-in installation, to cover gaps between the appliance and the adjacent cabinets, special side profiles and covering frames are already factory installed.

### Operate as follows:

> Push the appliance into the installation cutout [ 1 ].

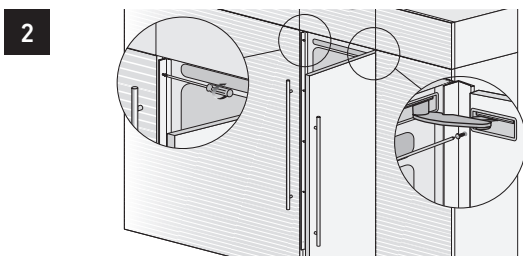


> Always mount front panel on door before pushing the unit into its final position inside the cutout or structure.

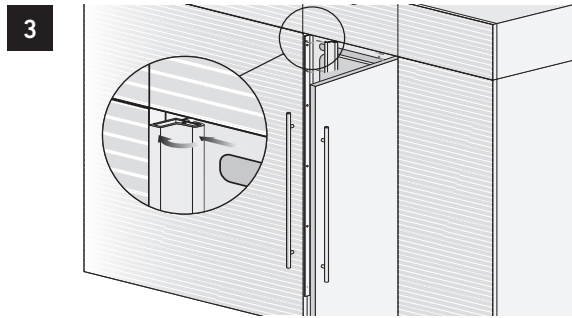
> Check the levelling of the appliance, adjusting its feet and wheels to correct it.

> Secure the appliance to the adjacent cabinets by fixing to these the side profiles factory-installed on the appliance [ 2 ].

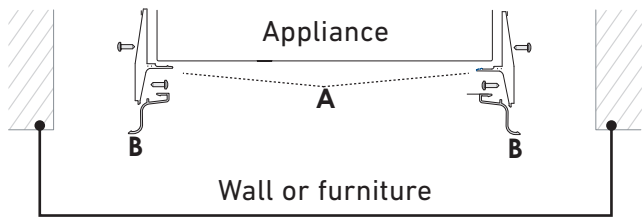
To make this operation easier keep the door open.



> Mount the profiles the trim covers: first insert them laterally and then push firmly until a "click" is heard [ 3 ].



### Side profiles mounting:




**A** plastic connecting brackets

**B** Profile trim cover

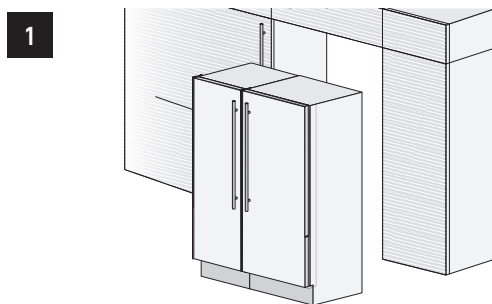
## 6.2 Built-in installation of two or more appliances

> The central profile is provide with freezer and wine cellar columns.

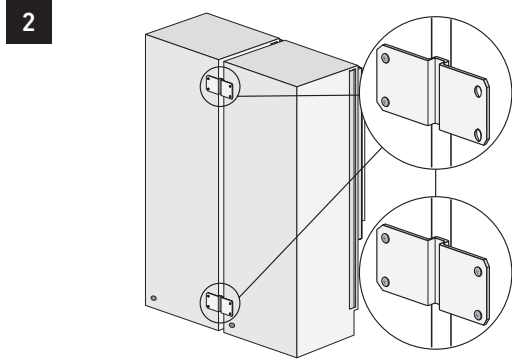
 Special side profiles and plastic covering frames are provided for closing gaps between the appliance and the adjacent cabinets.

### Operate as follows:

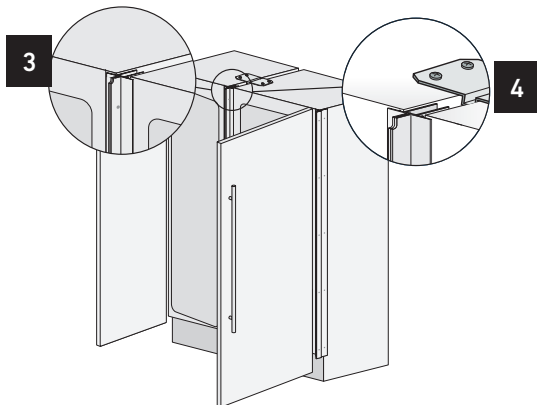
> Position the appliances in front of the installation area, leaving enough space to operate at their back [ 1 ].



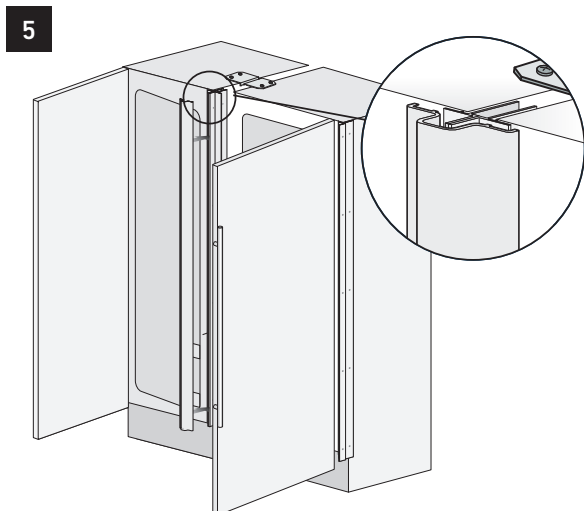
> Access the back of the appliances to mount the joining brackets: fix one side of the top and lower brackets to one of the appliances and subsequently to the other **[ 2 ]**.



> Next join them at the front attaching the plastic connecting brackets with the supplied screws **[ 3 ]**. Attach the bracket on top of the units (if applicable) as per figure **[ 4 ]**.



> Finish off by mounting the central profile cover onto the central profiles, by pushing it until a click is heard **[ 5 ]**.

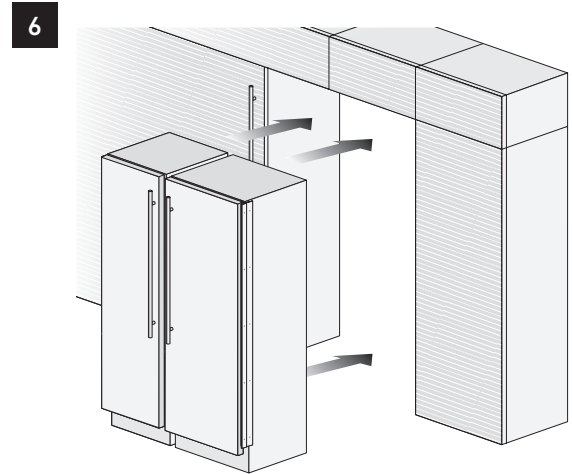


> Once completed, push the units into their final position **[ 6 ]**.

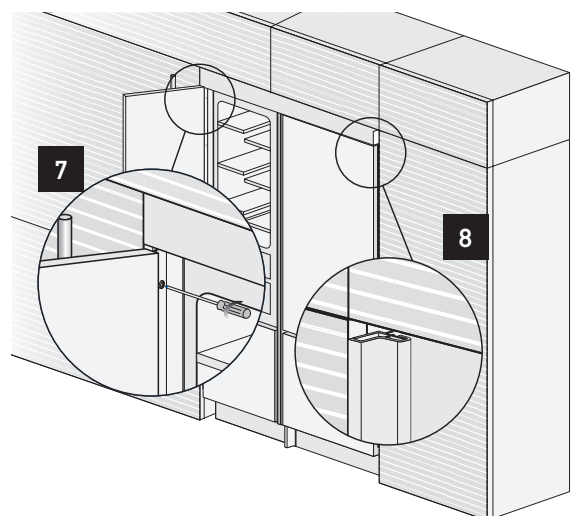
If the units are to be installed inside a cutout or within an enclosed structure, it is necessary to accommodate air flow at the back of the cutout to assure proper ventilation at the back of the unit of about 5mm. Always mount front panels on door and drawer before pushing the unit into its final position inside the cutout or structure.

> Check the levelling of the appliance, adjusting its feet and wheels to correct it.

> Secure the appliance to the adjacent cabinets by fixing to these the side profiles trims factory-installed on the appliance **[ 7 ]**. To make this operation easier keep the door open.



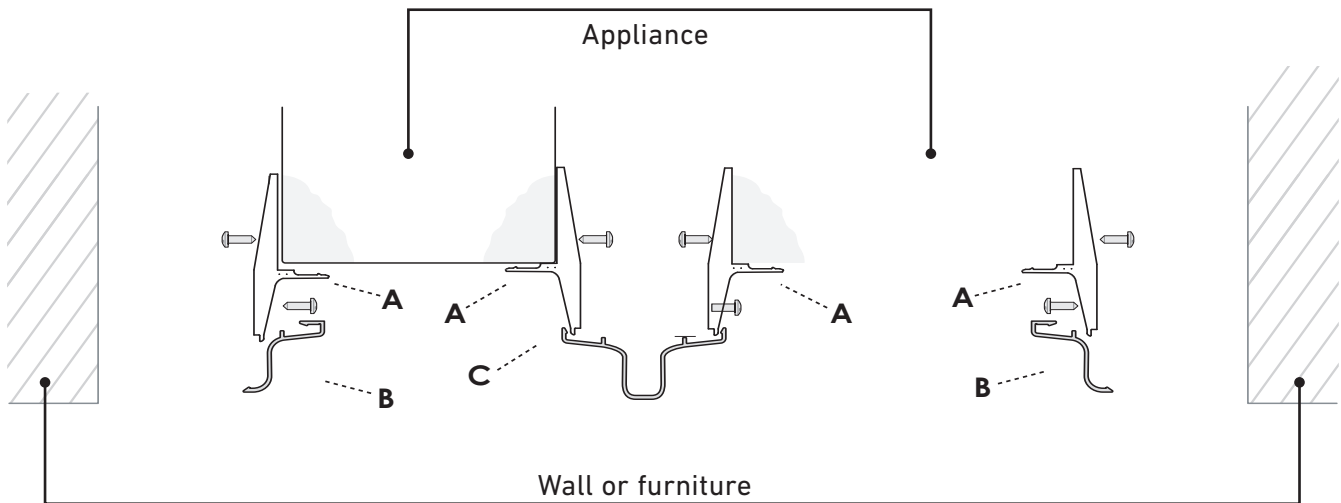
> Mount the covering frames onto the profiles, first insert them laterally and then push firmly until a "click" is heard **[ 8 ]**.



Take care as appliances will be front-heavy and may tip before they are secured to the adjacent furniture.

# 6. INSTALLATION

## Side and central profiles mounting:



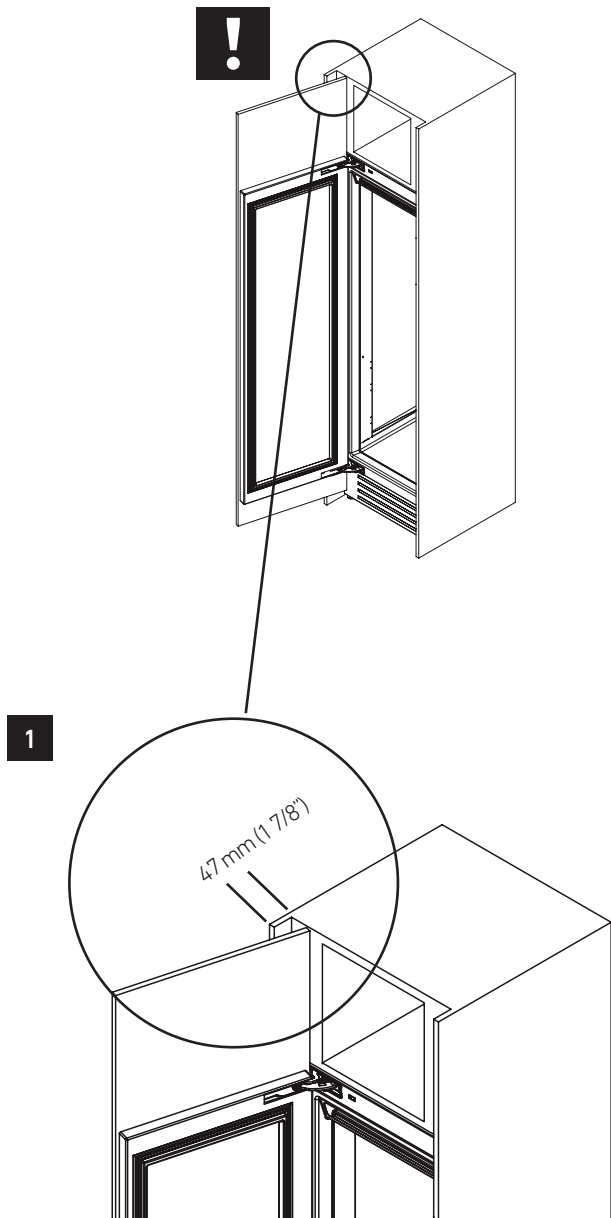
- A - plastic connecting brackets
- B - Profile trim cover (side)
- C - Profile trim cover (central).

### ! 6.3 Maximum cabinet depth over panel ready appliance with single door panel


It is possible that the design of the kitchen and, in particular, of the cutout where the panel ready appliance is going to be fitted includes a cabinet right above the refrigerator itself that must be closed with the same panel mounted on the Panel ready refrigerator door."

In this case, **the depth of the cabinet above the appliance must not exceed the depth of the appliance without the door [ 1 ].**

This will allow the panel attached to the refrigerator door to open correctly without interference during its rotation up to 100°.



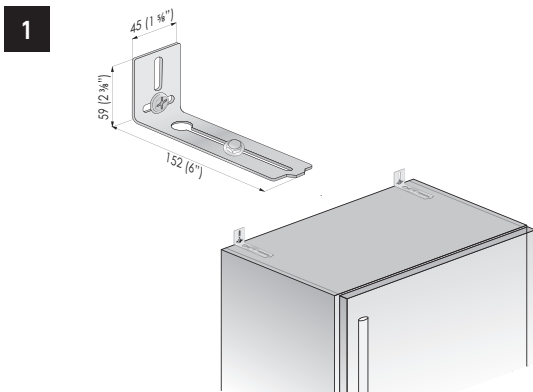
## 7.1 Anti-tipping safety assembly

 If the appliance(s) is not connected through the side profile trims to secured cabinetry you must install the anti-tip brackets to ensure the product does not fall forward during use and cause damage or injury. Failing to secure the appliance(s) securely will void any warranty claim attributable to a tipping situation.

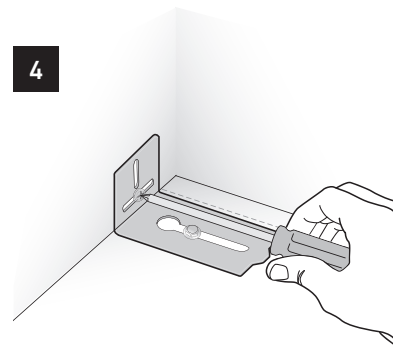
### Operate as follows:


> The brackets should be applied as illustrated using the provided screws. If using the anti-tip brackets, lag into wood framing or concrete - drywall will not hold the weight of appliance.

Place a bracket on the top of the appliance in correspondence to the fixing holes and against the wall [ 1 ].

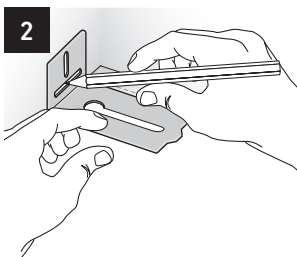


> Reposition the bracket and fix it first to the cabinet and then to the wall [ 4 ].

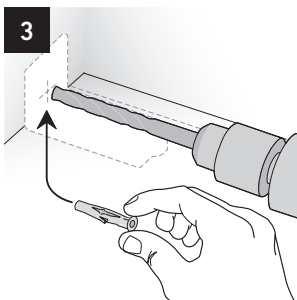


 In order to use the anti-tip brackets on the top compressor models, it will be necessary to temporarily remove the top, metal ceiling / shield to access the bolting points for the brackets. / shield to access the bolting points for the brackets.

> Mark up the holes position on the wall [ 2 ].



> Drill the wall with an 8 mm (3/8") bit and insert the expansion plug [ 3 ].



# 7. COMPLETING THE INSTALLATION

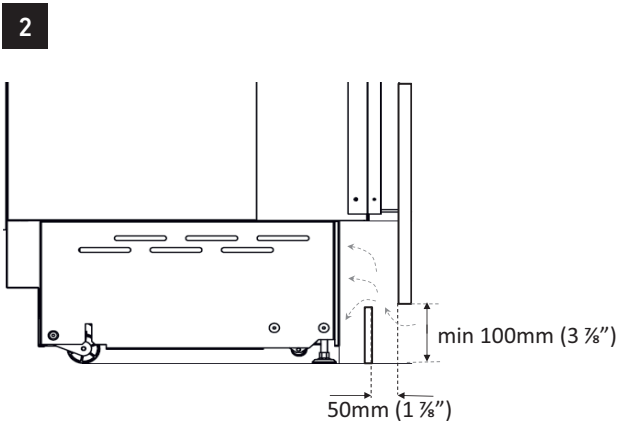
## 7.2 Ventilation

### PANEL READY AND PANEL INSTALLED MODELS

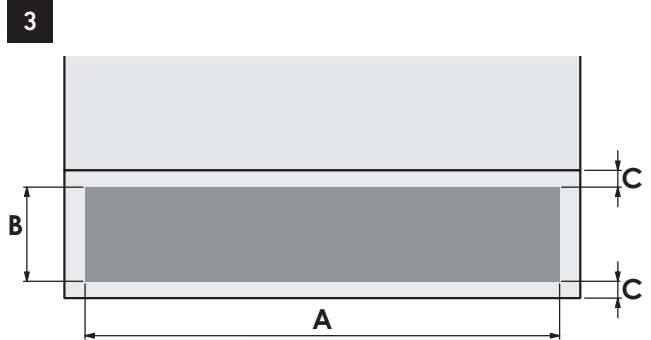
A forced air system assures ventilation through a grille, secured to the unit with magnetic plates, positioned in the lower front part of the unit [ 1 ].



If the kitchen cabinet includes a kickplate, it must be placed in a way to ensure a better airflow [ 2 ].

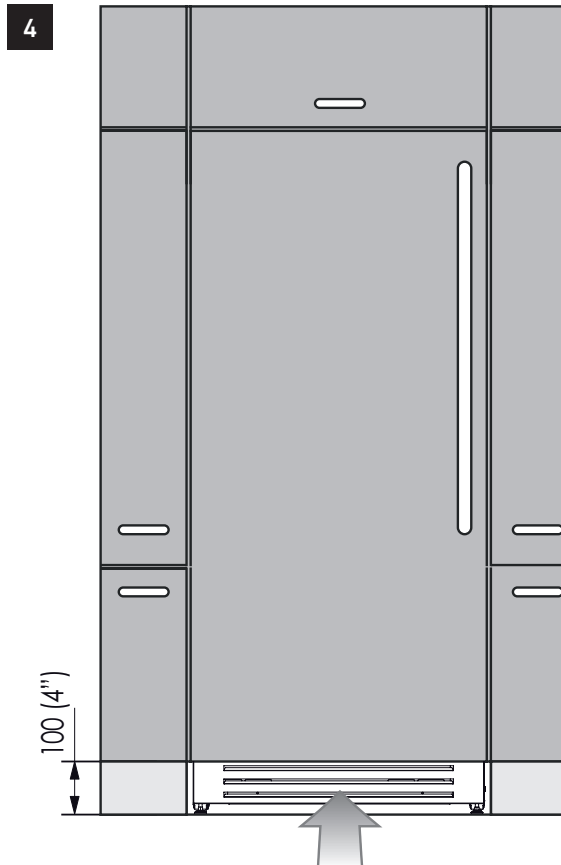


In case of placing a kickplate differently from picture (2), the kickplate has to be drilled at least of an area equal to 50% of the area delimited by A and B dimensions in picture [ 3 ].



	36 "	30 "	24 "	18 "
A	860 (33 7/8")	740 (29 1/8")	560 (22")	410 (16 1/8")
B	> 100 (4")			
C	10 (3/8")			

The condenser must to be cleaned on a regular basis. In order to do that, the front grille has to be accessible [ 4 ].




## 7.3 Post installation control

- ✓ Check that the front levelling feet have been properly installed.
- ✓ Check that the connection to the water system does not have any leaks and that the shut-off valve is easily accessible.
- ✓ Check that the electrical connection is correctly installed and that the socket and / or breaker are easily accessible.
- ✓ Check the perfect alignment of the appliance with adjacent structures.
- ✓ Check that all adhesive tape and external or internal temporary protective devices have been removed.
- ✓ Check the perfect closing of the doors and the smooth sliding of the drawers and shelves.

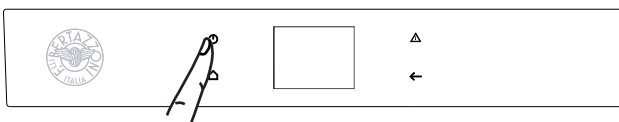
## 7.4 Start up

- > To start the appliance, connect the plug to the electrical mains: at this point, when opening the door, the control panel will usually visualize the message "Stand by", and all the panel keys will be off


Stand by

- > To turn on all the appliance compartments, press the Unit  button for three seconds. The display will show the message "Initial test" for approximately 2 minutes. After this phase the compressors will start up and remain on until the compartment set temperatures are achieved.. Do bear in mind that this condition could last several hours during which time the display will continue to flash the 'Start Up Phase' message.

- > If the appliance is provided with an Ice Maker, prior to switching it on make sure that the water filter cartridge is installed (unless water supply source is already filtered by other means such as reverse osmosis).



- > Purge air from the water lines by performing the 'Manual Clean' function from the Menu->Functions->Water Filter options. You may need to complete this sequence several times until you stop hearing air sputtering from the ice maker fill tube (Refer to your Use & Care Manual).

- > Once you are satisfied that the system is purged of air switch the Ice Maker on by touching the  button which will illuminate.

- > For further information about the appliance operation, refer to the User Manual.



If at the first start - up the message Stand by does not appear, but other messages appear, such as Fridge too warm, Freezer too warm, or sound signals are activated, it means that the appliance has already previously started the cooling process. If this is the case, deactivate any possible acoustic signals by pressing the Alarm button, close the door and wait until the set temperature is reached.



It is necessary to let the unit reach the correct temperature before foods are stored inside.

Bertazzoni is constantly researching new way to improve the features and the design of their products, therefore models are often upgraded and revised.





<b>1 INDICATIONS IMPORTANTES</b>	<b>2</b>
1.1 Indications importantes concernant la sécurité.....	2
1.2 Pour la sécurité des enfants.....	2
<b>2 CARACTÉRISTIQUES TECHNIQUES</b>	<b>2</b>
2.1 Caractéristiques de l'appareil et conditions requises pour l'installation.....	2
2.2 Caractéristiques de la niche d'installation: produits encastrables.....	4
2.3 Caractéristiques de la niche d'installation: produits encastrables avec porte inox.....	5
<b>3 PRÉPARATION À L'INSTALLATION</b>	<b>6</b>
3.1 Transport sur le lieu d'installation et déballage.....	6
3.2 Raccordements électrique et hydraulique.....	6
3.3 Énergies renouvelables et systèmes domotique.....	7
3.4 Mise à niveau.....	7
<b>4 DIMENSIONS DE LA NICHE D'ENCASTREMENT</b>	<b>8</b>
4.1 Dimensions de la niche d'encastrement et installation.....	8
4.2 Montage à fleur avec des garnitures standard.....	8
<b>5 MONTAGE DES PANNEAUX</b>	<b>9</b>
5.1 Préparation des panneaux décoratifs pour la porte.....	9
5.2 Préparation des panneaux décoratifs pour réfrigérateur.....	11
5.3 Préparation des panneaux décoratifs pour cave à vins avec porte vitrée.....	12
5.4 Dimensions des panneaux.....	13
5.5 Fixation des panneaux à la porte	14
<b>6 INSTALLATION</b>	<b>16</b>
6.1 Encastrement appareil unique.....	16
6.2 Encastrement combinaison de deux appareils.....	16
6.3 Profondeur maximale structure au-dessus du réfrigérateur encastrable à porte unique.....	18
<b>7 ACHÈVEMENT DE L'INSTALLATION</b>	<b>19</b>
7.1 Montage de la sécurité anti-renversement.....	19
7.2 Circulation de l'air.....	20
7.3 Contrôle de fin d'installation.....	21
7.4 Mise en marche.....	21

# 1. INDICATIONS IMPORTANTES

## 1.1 Indications importantes concernant la sécurité

Symboles utilisés dans le manuel:



### Note

Conseils pour une correcte utilisation de l'appareil



### Important

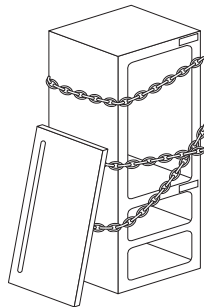
Indications afin d'éviter tout endommagement de l'appareil



### Warning

Indications afin d'éviter toute lésion aux personnes

## 1.2 Pour la sécurité des enfants



**DANGER** : Risque d'enfermement pour les enfants.  
Avant de jeter un vieux réfrigérateur ou congélateur :

- > Retirer les portes
- > Laisser les étagères en place afin d'empêcher que des enfants grimpent dedans.



### Important!

Les dimensions entre parenthèses sont en pouces.

Les poids entre parenthèses sont en livres: kg(lb).

Les températures entre parenthèses sont en °F: °C (°F).

## 2.1 Caractéristiques de l'appareil et conditions requises pour l'installation

Dimensions de l'appareil encastrable

**18"**

l: 456 mm (17 15/16")

h: 2120 mm (83 1/2")

p: 615 mm (24 1/4")

**24"**

l: 609 mm (24")

h: 2120 mm (83 1/2")

p: 615 mm (24 1/4")

**30"**

l: 761 mm (29 15/16")

h: 2120 mm (83 1/2")

p: 615 mm (24 1/4")

**36"**

l: 913 mm (35 15/16")

h: 2120 mm (83 1/2")

p: 615 mm (24 1/4")

Dimensions de l'appareil encastrable avec porte inox

**18"**

l: 456 mm (17 15/16")

h: 2120 mm (83 1/2")

p: 620 mm (24 3/8")

**24"**

l: 609 mm (24")

h: 2120 mm (83 1/2")

p: 620 mm (24 3/8")

**30"**

l: 761 mm (29 15/16")

h: 2120 mm (83 1/2")

p: 620 mm (24 3/8")

**36"**

l: 913 mm (35 15/16")

h: 2120 mm (83 1/2")

p: 620 mm (24 3/8")

Poids avec emballage	<b>18"</b> max 150 kg (331 lb)
	<b>24"</b> max 170 kg (375 lb)
	<b>30"</b> max 190 kg (419 lb)
	<b>36"</b> max 200 kg (441 lb)
Tension d'alimentation	AC 110 - 120V 60Hz
Câble d'alimentation	90° Nema 5-15P
Pression d'alimentation de l'eau potable	de 0.05 MPa à 0.5 MPa (0.5 Bar - 5 Bar)
Tuyau d'alimentation de l'eau	NPT 3/4" (adaptateur coudé de 1/4" inclus)
Équipement nécessaire	<ul style="list-style-type: none"> <li>- kit fixation des panneaux sur demande</li> <li>- Kit Anti-renversement (B04000200)</li> <li>- kit de raccordement latérale (KCLIT/KCLIH)</li> <li>- clé à six pans de 4 mm (1/8")</li> </ul>
Réglage de la hauteur des rouleaux arrière	<ul style="list-style-type: none"> <li>- tournevis cruciforme</li> <li>- perceuse à bois</li> <li>- pointe pour bois de 2.5 mm (1/8")</li> <li>- pointe pour mur de 8 mm (3/8")</li> <li>- clé ouverte de 17 mm (11/16")</li> <li>- clé ouverte de 19 mm (3/4")</li> </ul>

## 2. CARACTÉRISTIQUES TECHNIQUES

### 2.2 Caractéristiques de la niche d'installation: produits encastrables

**A**- espace à réserver aux équerres anti-renversement

#### Hauteur de la niche d'encastrement

2130 mm (83 7/8")

#### Largeur de la niche d'encastrement

36": 914 mm (36")

30": 762 mm (30")

24": 610 mm (24")

18": 457 mm (18")

#### Profondeur minimale de la niche d'encastrement

615 mm (24 1/4") + Épaisseur du panneau pour une installation affleurante

#### Encombrement avec porte ouverte

36": 1489 mm (58 5/8")

30": 1338 mm (52 5/8")

24": 1187 mm (46 3/4")

18": 1036 mm (40 3/4")

#### Angle d'ouverture de la porte

100°

#### Largeur

36": 913 mm (35 15/16")

30": 913 mm (29 15/16")

24": 609 mm (24")

18": 456 mm (17 15/16")

#### Hauteur

2120 mm (83 1/2") + 25 mm (1")

#### Profondeur avec la porte (sans panneau)

615 mm (24 1/4")

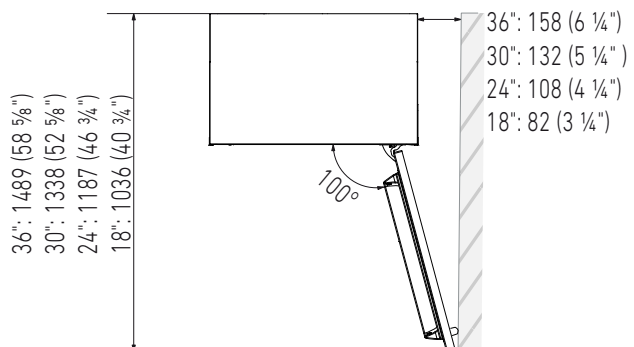
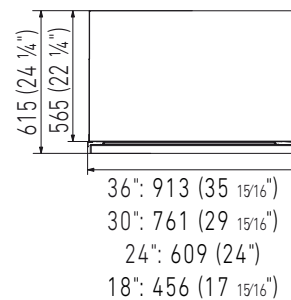
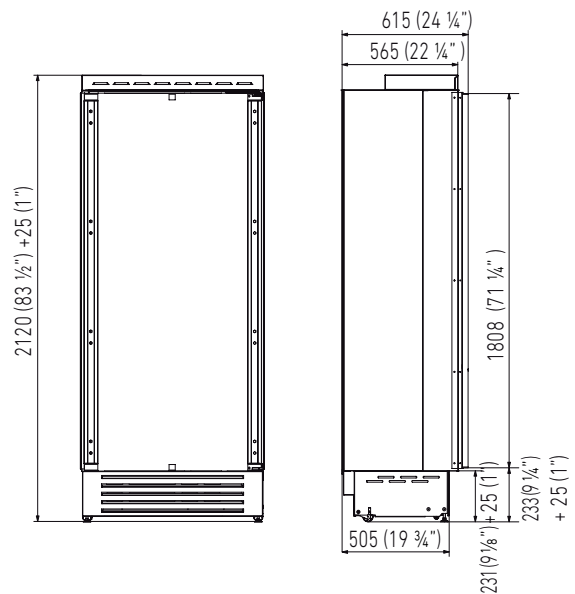
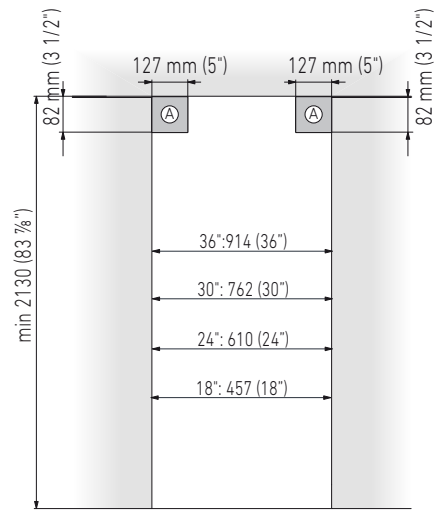
#### Distance minimale du mur (côté de la charnière)

36": 158 mm (6 1/4")

30": 132 mm (5 1/4")

24": 108 mm (4 1/4")

18": 82 mm (3 1/4")



## 2.3 Caractéristiques de la niche d'installation: produits encastrables avec porte inox

**A**-espace à réserver aux équerres anti-renversement

### Hauteur de la niche d'encastrement

2130 mm (83 7/8")

### Largeur de la niche d'encastrement

36": 914 mm (36")

30": 762 mm (30")

24": 610 mm (24")

18": 457 mm (18")

### Profondeur minimale de la niche d'encastrement

635 mm (25")

### Encombrement avec porte ouverte

36": 1487 mm (58 1/2")

30": 1336 mm (52 5/8")

24": 1185 mm (46 5/8")

18": 1034 mm (40 3/4")

### Angle d'ouverture de la porte

100°

### Largeur

36": 913 mm (35 15/16")

30": 761 mm (29 15/16")

24": 609 mm (24")

18": 456 mm (17 15/16")

### Hauteur

2120 mm (83 1/2") + 25 mm (1")

### Profondeur avec la porte

620 mm (24 3/8")

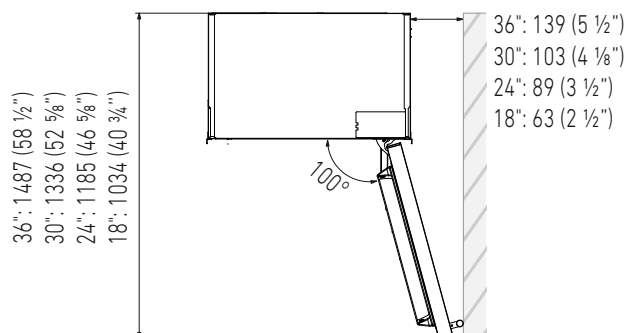
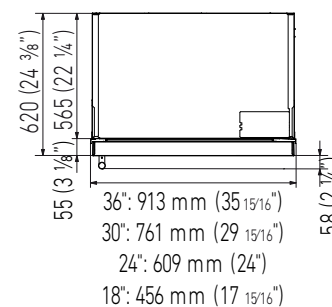
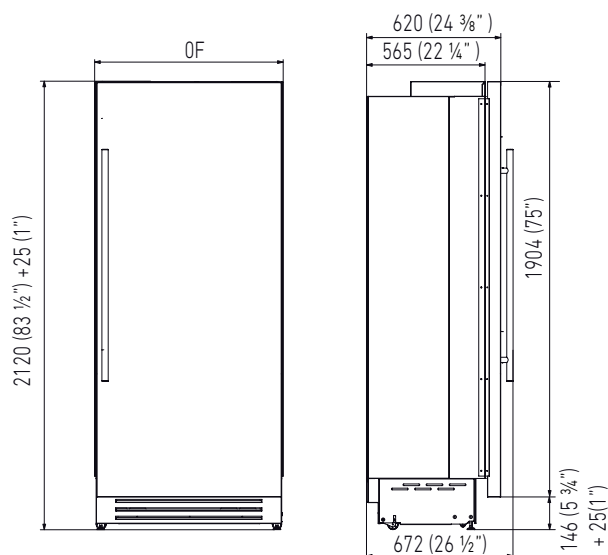
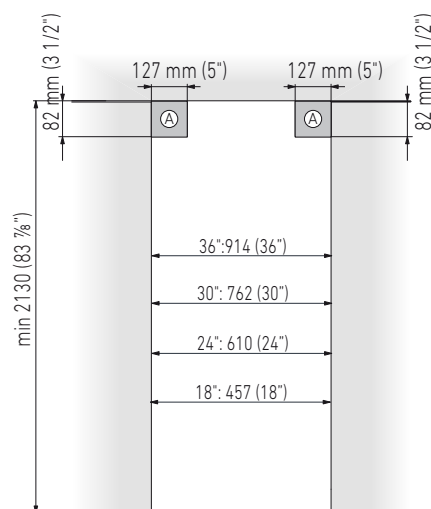
### Distance minimale du mur (côté de la charnière)

36": 139 mm (5 1/2")

30": 103 mm (4 1/8")

24": 89 mm (3 1/2")

18": 63 mm (2 1/2")

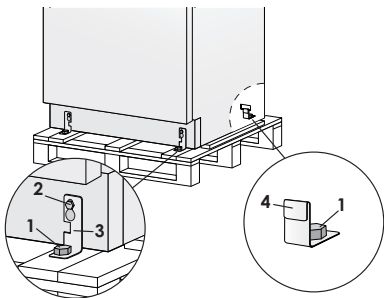


# 3. PRÉPARATION À L'INSTALLATION

## 3.1 Transport sur le lieu d'installation et déballage

**!!!** L'appareil est très lourd et peut avoir le barycentre dans la partie supérieure. Faire très attention durant la manipulation afin d'éviter tout risque de blessures.

**!** Transporter l'appareil en position verticale. Éviter de manière absolue le transport sur la partie frontale.



S'agissant d'un appareil lourd et de grandes dimensions, avant de transporter l'appareil, s'informer sur les modalités d'accès au lieu où il sera installé (dimensions des portes, espaces de mouvement dans les escaliers, etc.). L'appareil est fixé à la base de l'emballage (palette) moyennant quatre boulons amovibles avec une clé de 19 mm (3/4").

Il est conseillé d'utiliser un transporteur manuel pour manutentionner l'appareil jusqu'à la zone où celui-ci sera installé et seulement alors retirer la base de l'emballage.

L'appareil devrait toujours être transporté en position verticale. Si cela n'est pas possible, transporter l'appareil couché sur le dos. Une fois que l'on a atteint la zone prévue pour l'installation, enlever les emballages, faire descendre l'appareil de la palette emballages et faire descendre l'appareil de la palette.

### Intervenir de la manière suivante:

> Enlever les quatre boulons **[1]** qui fixent l'appareil à la palette en utilisant une clé ouverte de 19 mm (3/4").

> Retirer les crochets de fixation **[3]** et **[4]**.

> Pour libérer le support de fixation avant **[3]**, desserrer le boulon de réglage **[2]** des roues arrière au moyen d'une clé ou douille de 13 mm (1/2"). Éviter de forcer ce boulon dans son point de butée dans un sens ou dans l'autre afin d'éviter d'endommager le système de nivelage arrière.


S'assurer que les pieds de nivellement avant sont rentrés afin que les 4 roues soient en contact avec le sol, pour faciliter toute manoeuvre.

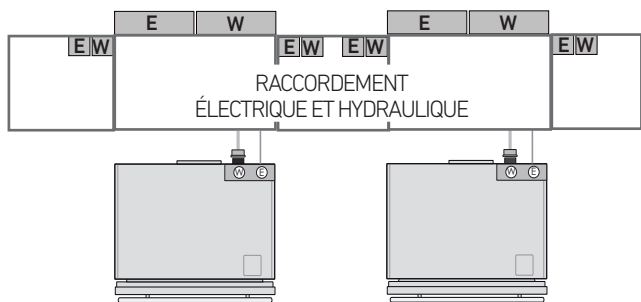
> De l'arrière de l'unité et au moyen d'un chariot diable de caractéristiques appropriées, retirer l'appareil et le poser sur le sol. Faire très attention afin d'éviter tout dommage au sol. Il faut protéger les sols particulièrement délicats avec de carton rigide ou un contreplaqué.

## 3.2 Raccordements électrique et hydraulique

**!** Le filtre ne peut pas rendre potable de l'eau qui n'est pas destinée à la consommation alimentaire.

**!!!** L'appareil doit être raccorder uniquement au système d'eau destinée à la consommation alimentaire.

**!** Ne pas utiliser de rallonges électriques ou des adaptateurs. Une fois l'appareil complètement installé, raccordé au réseau de l'eau (le cas échéant) et opérationnel, en cas de nécessité de couper l'alimentation d'eau, appuyer sur le bouton  sur le panneau de contrôle pour désactiver la fabrique à glaçons avant de fermer la conduite principale, afin d'éviter que se déclenche l'état d'alarme « NO WATER IN » (Absence d'eau) sur l'appareil.



Les appareils sont livrés de l'usine pour une tension de secteur de 110V-120V AC - 60 Hz (États-Unis et Canada).

Ils sont fournis avec un câble d'alimentation approprié et une fiche pour être connectés à une prise de 15 A assurant une mise à la terre efficace.

Il est recommandé d'installer un disjoncteur dédié de 15 A, facilement accessible, afin qu'il puisse être désactivé sans problèmes en cas d'opérations d'installation ou d'entretien.

Pour le raccordement au réseau de l'eau (en cas d'appareils équipés de fabrique à glaçons) une ligne d'eau de 1/4" avec une soupape de fermeture accessible doit être fournie.

L'appareil est livré avec un adaptateur coudé pour l'alimentation en eau, adapté à la pression recommandée de l'eau et conforme aux réglementations applicables en matière d'aliments et d'eau.

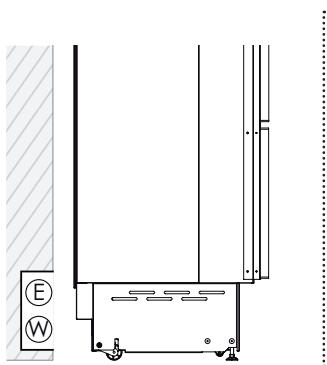
La cartouche filtrante de l'eau, fournie avec l'appareil, doit être installée suivant les instructions qui l'accompagnent. Le raccordement solénoïde à l'appareil a un diamètre de 3/4", mais avec filetage

métrique (NPT). Le connecteur fileté d'un tuyau d'arrosage standard ainsi qu'un tuyau en acier inox tressé pouvant être acheté dans une normale quincaillerie peuvent éliminer ou endommager les filetages magnétiques. Il est recommandé d'utiliser uniquement l'adaptateur coudé rapide de 1/4" pour le raccordement d'une ligne d'alimentation d'eau à l'appareil de 1/4" en cuivre ou en polyéthylène.



N'utiliser ni rallonges ni adaptateurs multiple pour le branchement.

### RACCORDEMENTS ÉLECTRIQUE ET HYDRAULIQUE DERRIÈRE L'UNITÉ



### 3.3 Énergies renouvelables et systèmes domotique

Si l'alimentation est fournie par une source d'énergie alternative (solaire, géothermique, etc.) ou en cas d'installation de systèmes domotiques avec des signaux porteurs dans les lignes électriques, il peut être nécessaire d'installer un transformateur d'isolement (non fourni) afin de prévenir toute interférence avec le circuit électronique de l'appareil.

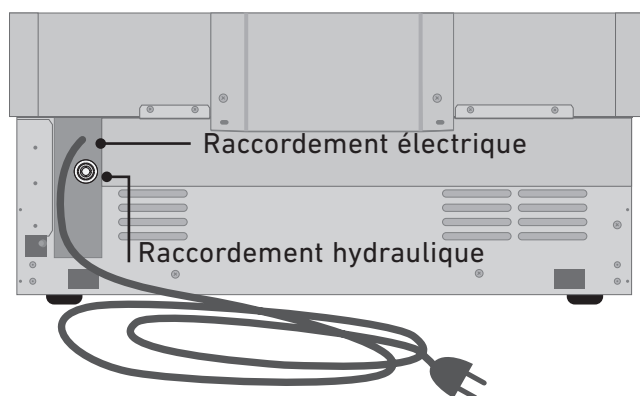

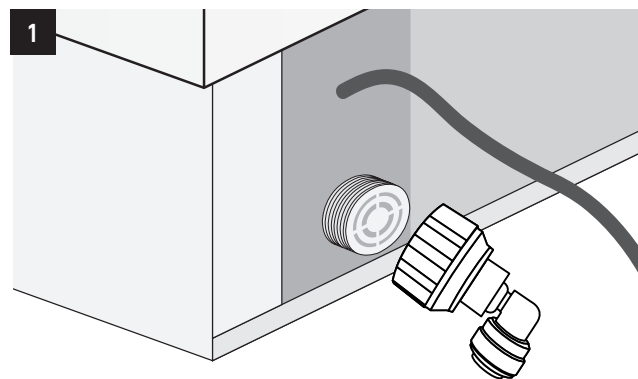


fig.1 Arrière de l'appareil

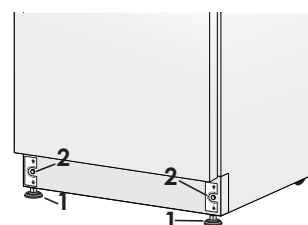
### Intervenir de la manière suivante:

- > Dérouler le câble électrique et le brancher directement à la prise murale.
- > Contrôler que l'appareil soit en stand-by et que les voyants soient éteints; dans le cas contraire, appuyer sur la touche Unit  pour éteindre l'appareil.
- > Raccorder le tuyau de l'eau au réfrigérateur dans la zone arrière **[ 1 ]**.



### 3.4 Mise à niveau

Mettre à niveau l'appareil en réglant les pieds et les roues arrière à la base de l'appareil.

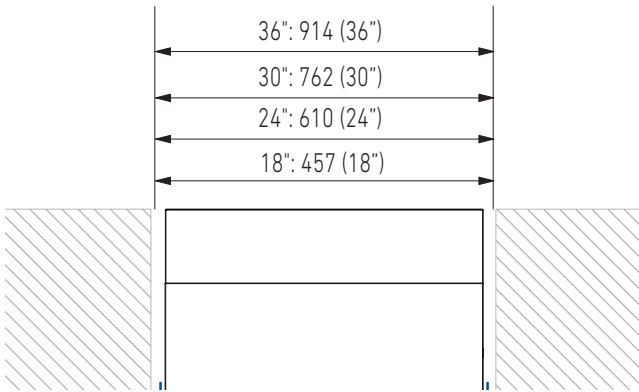


### Intervenir de la manière suivante:

- > Si nécessaire, déposer le socle ou la grille inférieure (il est fixé par des aimants), ajuster la hauteur des pieds de nivellement **[ 1 ]** au moyen d'une clé de 17 mm (11/16").
- > Ajuster ensuite la hauteur des roues arrière en tournant les boulons de réglage avant **[ 2 ]** en sens horaire (pour soulever) ou anti-horaire, selon le besoin. Faire attention en cas d'utilisation d'une visseuse électrique et réduire la puissance afin d'éviter d'endommager le système de nivellement.
- > Reposer le socle ou la grille inférieure.

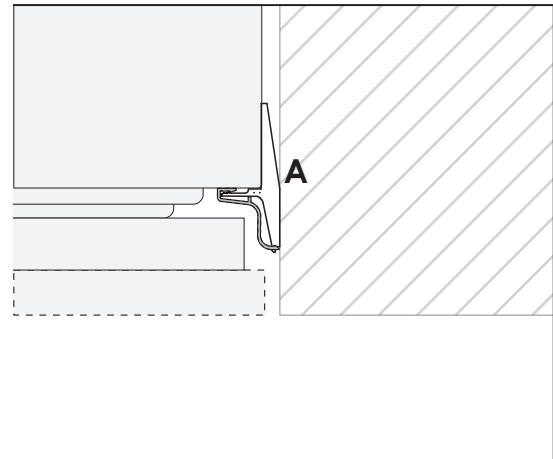
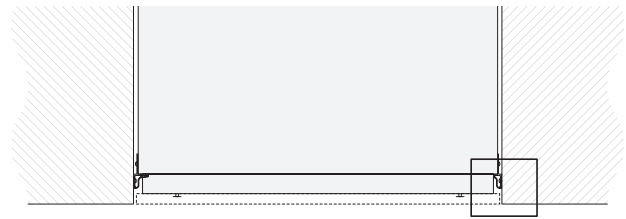
# 4 DIMENSIONS DE LA NICHE D'ENCASTREMENT

## 4.1 Dimensions de la niche d'encastrement et installation



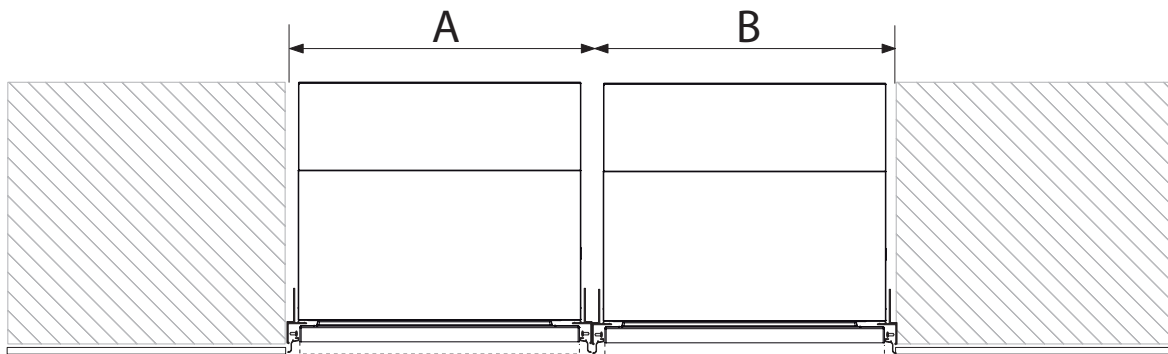
Series	Largeur de la niche d'encastrement	Largeur de panneaux
36"	914 (36")	908 (35 3/4")
30"	762 (30")	756 (29 3/4")
24"	610 (24")	604 (23 3/4")
18"	457 (18")	451 (17 3/4")

## 4.2 Montage à fleur avec des garnitures standard



A - KCLITU: Kit raccordement lateral (compris)

## Niche d'encastrement pour installation combinée



		A			
		18"	24"	30"	36"
B	18"	36"(914mm)	42"(1067mm)	48"(1220mm)	54"(1372mm)
	24"	42"(1067mm)	48"(1220mm)	54"(1372mm)	60"(1520mm)
	30"	48"(1220mm)	54"(1372mm)	60"(1520mm)	66"(1676mm)
	36"	54"(1372mm)	60"(1524mm)	66"(1676mm)	72"(1829mm)



## 5.1 Préparation des panneaux décoratifs pour la porte

Les dimensions des panneaux sont indiquées dans le tableau et sur les dessins reportés cidessous.

Selon les exigences d'alignement avec d'autres meubles de la cuisine, le panneau de la porte du réfrigérateur peut être plus haut par rapport à la ligne supérieure de la porte.

Les panneaux sont montés moyennant des brides spéciales qui s'accrochent aux dispositifs de fixation réglables déjà prévus sur porte et grand bac et moyennant des équerres qui bloquent et règlent verticalement le panneau.

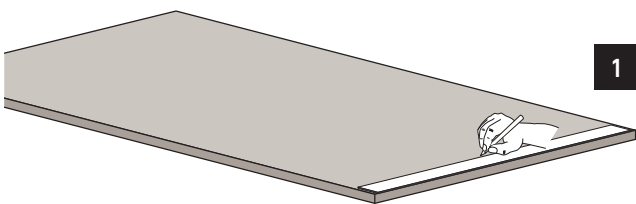
Brides, équerres et vis de fixation correspondantes sont fournies avec l'appareil et sont appliquées au panneau en suivant le schéma de perçage reporté ci-dessous ou en utilisant le gabarit de perçage prévu à cet effet et fourni.

### Intervenir de la manière suivante:

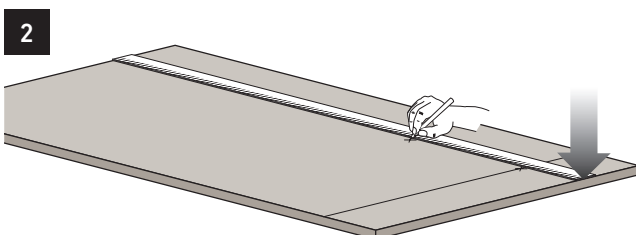
Pour appliquer les brides aux panneaux, procéder de la manière suivante. Il est recommandé de monter les équerres avant de monter la poignée.

### Panneau de la porte

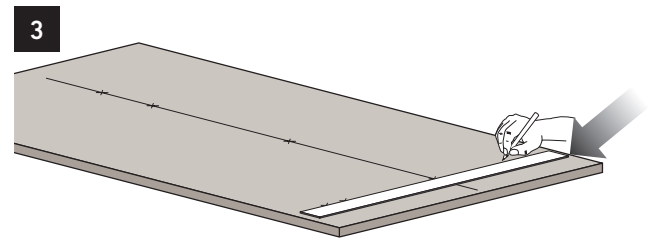
> Tracer une ligne qui divise verticalement le panneau en deux parties égales [1].



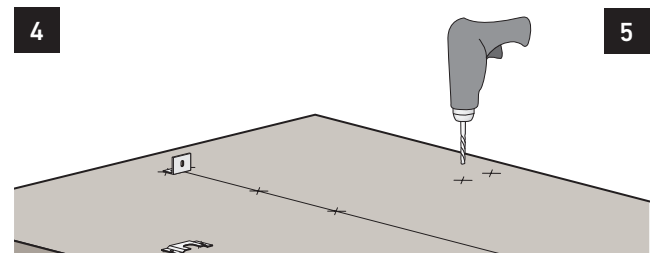
> Partant du bas du panneau, marquer la hauteur à laquelle pratiquer les trous (pour la distance des trous). [2].



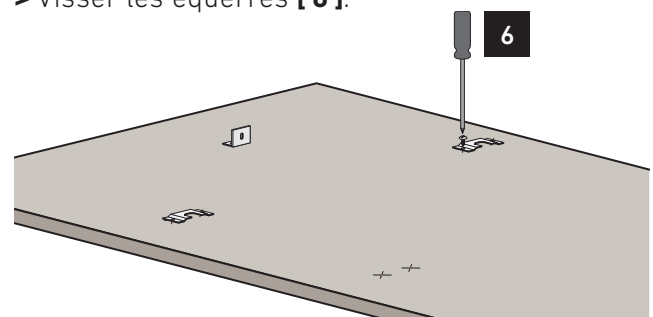
> Suivre les données du tableau correspondant au modèle choisi, marquer d'abord le trou le plus externe et puis le plus interne [3].



> Positionner les équerres sur chaque série de marques pour vérifier qu'elles sont alignées [4], si on choisi de percer des petits trous de guidage pour les vis, il est recommandé de prêter particulière attention à ne pas traverser complètement l'épaisseur du panneau [5].



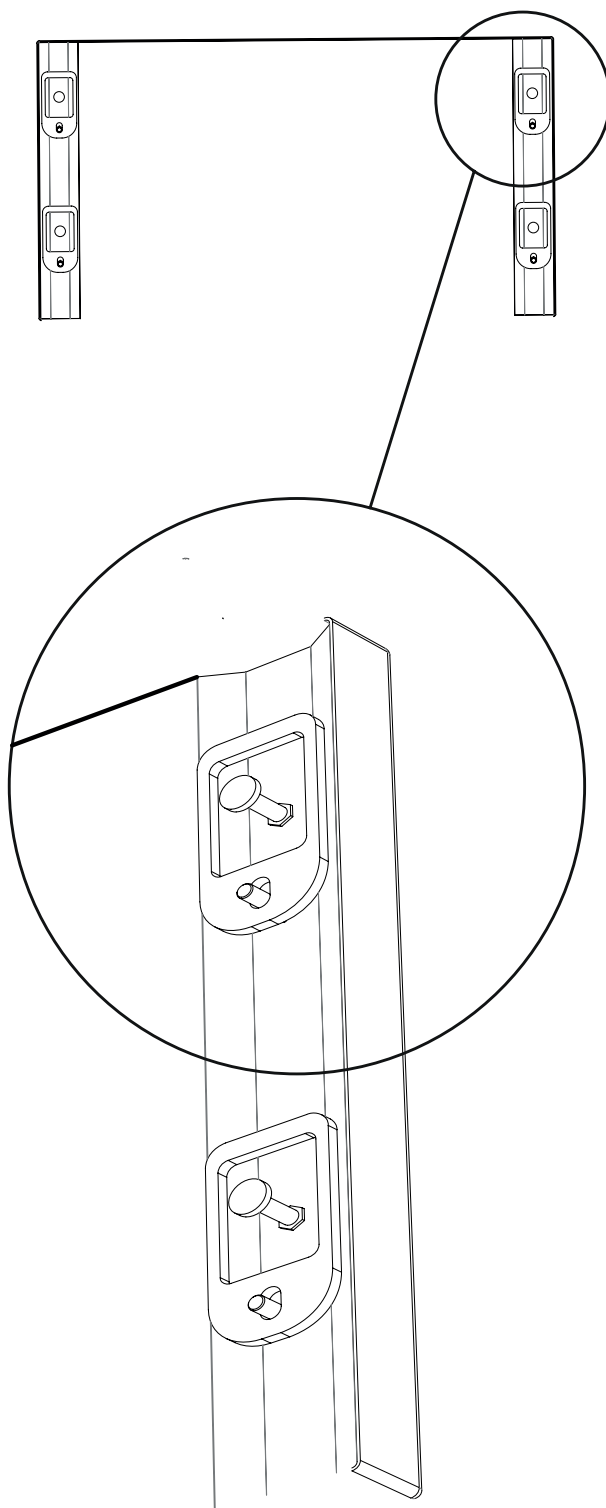
> Visser les équerres [6].



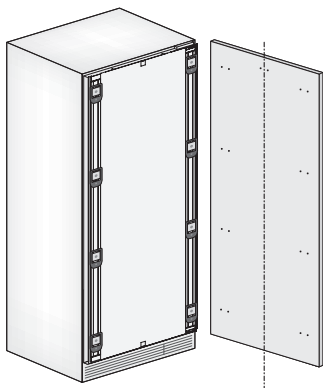
## 5. MONTAGE DES PANNEAUX

► Préparer la porte de l'appareil pour le montage des panneaux en enfilant les boulons à épaulement dans sections encastrées et les vis de pression dans l'autre trou **[7]**. Vérifier que l'extrémité avec la douille hexagonale est vissée dans la porte et pas dans la partie visible. Visser suffisamment jusqu'à les noyer dans la surface de la porte de l'appareil, afin d'éviter toute interférence avec l'accrochage du panneau. Il sera possible de les ajuster plus tard.

7

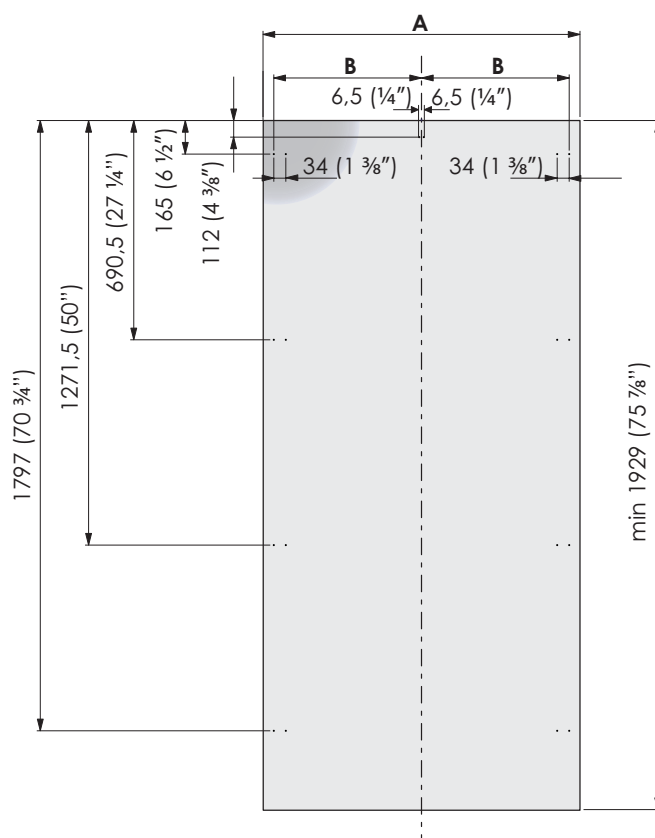
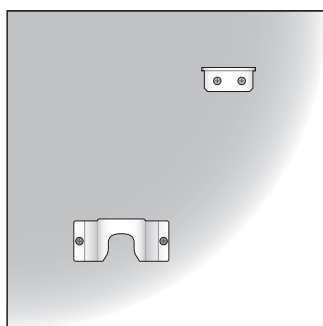


## 5.2 Préparation des panneaux décoratifs pour réfrigérateur



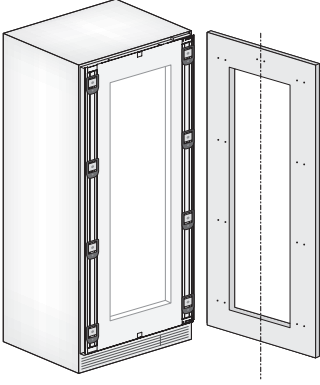
	36"	30"	24"	18"
<b>A</b>	908 (35 3/4")	756 (29 3/4")	604 (23 3/4")	451 (17 3/4")
<b>B</b>	418 (16 1/2")	343 (13 1/2")	275 (10 7/8")	200 (7 7/8")

Positionnement des trous:



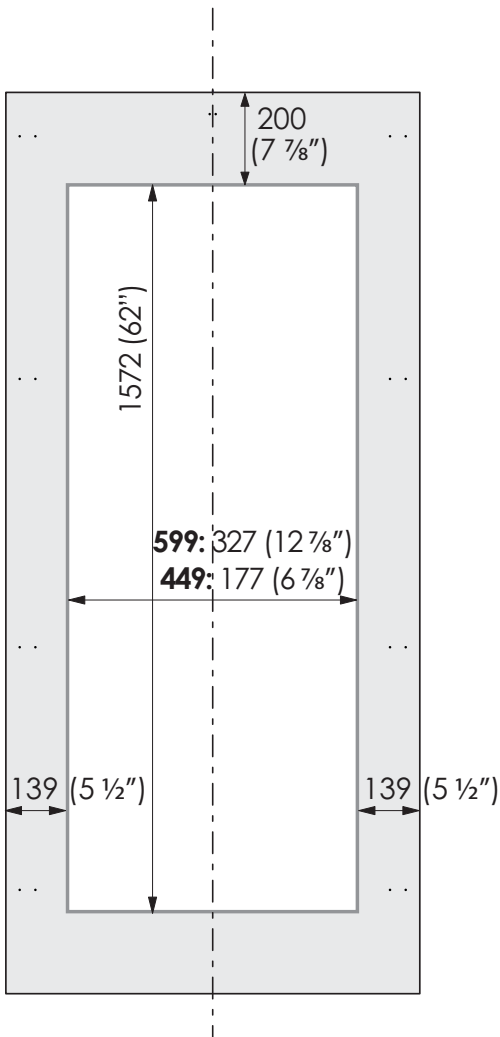
# 5. MONTAGE DES PANNEAUX

## 5.3 Préparation des panneaux décoratifs pour cave à vins avec porte vitrée

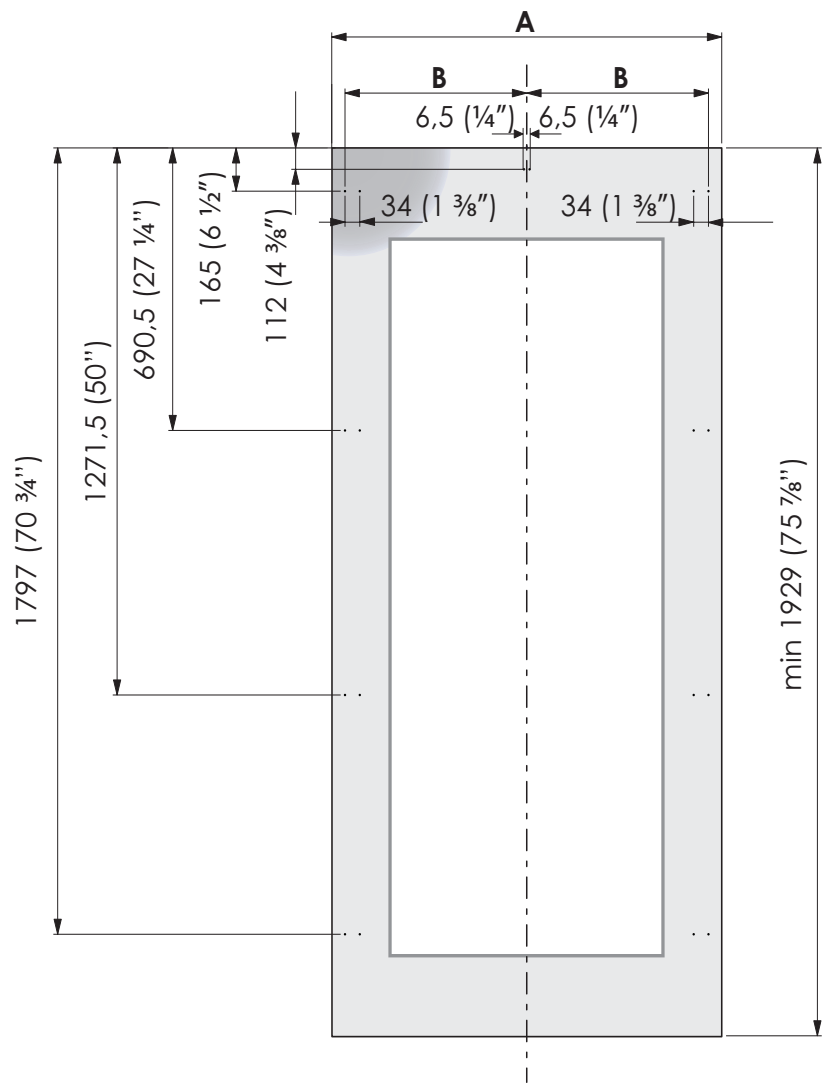


	24"	18"
A	604 (23 3/4")	451 (17 3/4")
B	275 (10 7/8")	200 (7 7/8")

Dimension trou pour porte:



Positionnement des trous:



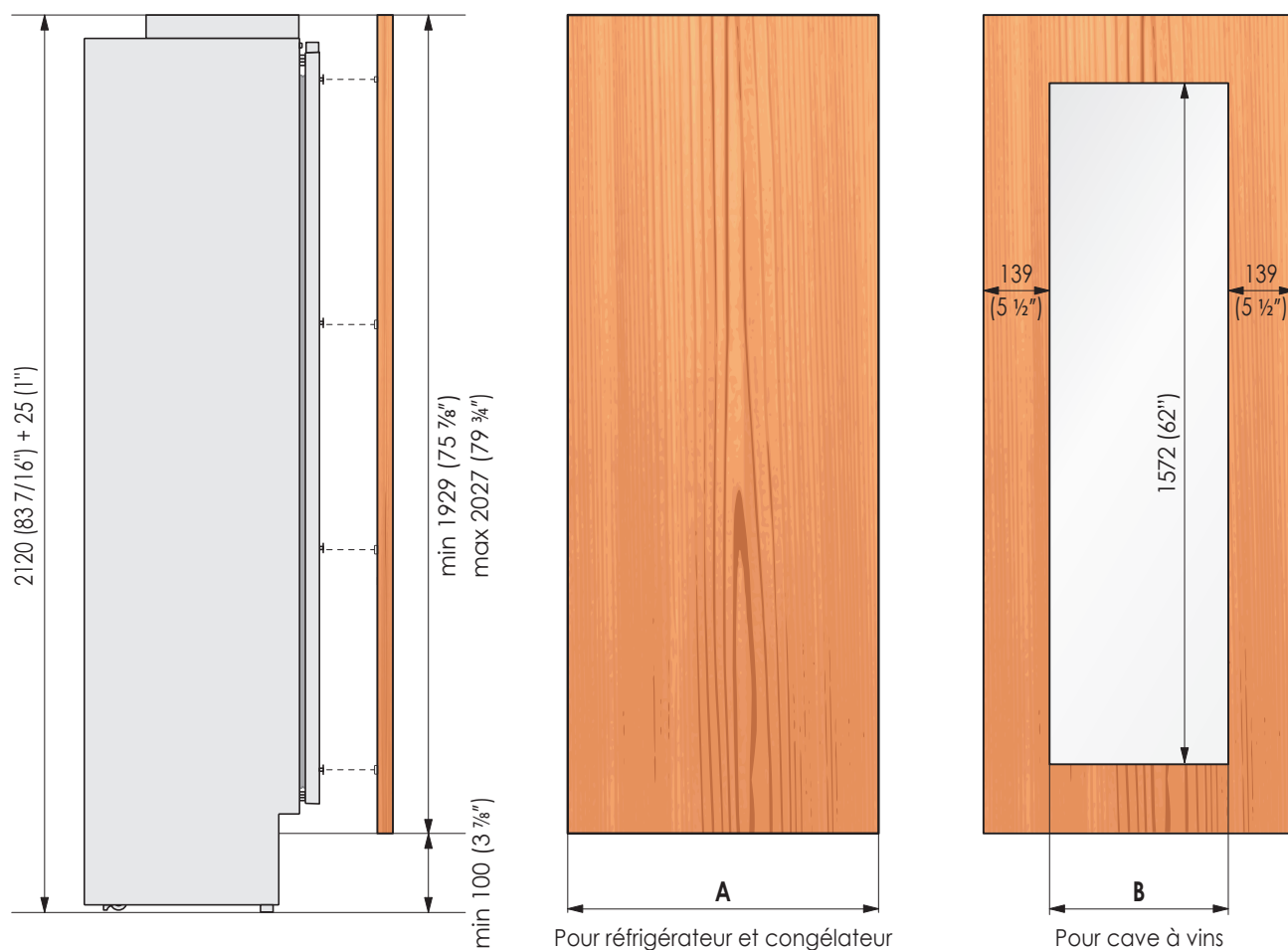
## 5.4 Dimensions des panneaux

Il est possible d'utiliser des panneaux avec des épaisseurs allant entre 19 mm (3/4") et 28 mm (1 1/8"). Les panneaux de porte avec un poids max de 34 kg (75 lb).

Excéder ces poids pourrait annuler la garantie de tous les problèmes de services qui peuvent être attribués à des panneaux en surpoids.


Le mécanisme de charnière sur les appareils Bertazzoni est considéré comme `zéro dégagement`. Les largeurs de portes et de tiroirs spécifiées ci-dessous supposent la largeur de niche minimum est utilisé et une de 3,5 mm (1/8 ") révèlent l'on souhaite autour des panneaux. Ajuster les dimensions de votre écran en fonction de vos propres critères de conception compte tenu de la largeur de votre créneau et votre révélet. Jeu minimum / écart ne doit pas être inférieure à 1,5 mm (1/16 ").

SERIES	LARGEUR DE LA PORTE A	PORTE: LARGEUR DE LA COUPURE B
36"	908 (35 3/4")	-
30"	756 (29 3/4")	-
24"	604 (23 3/4")	327 (12 7/8")
18"	451 (17 3/4")	177 (6 7/8")



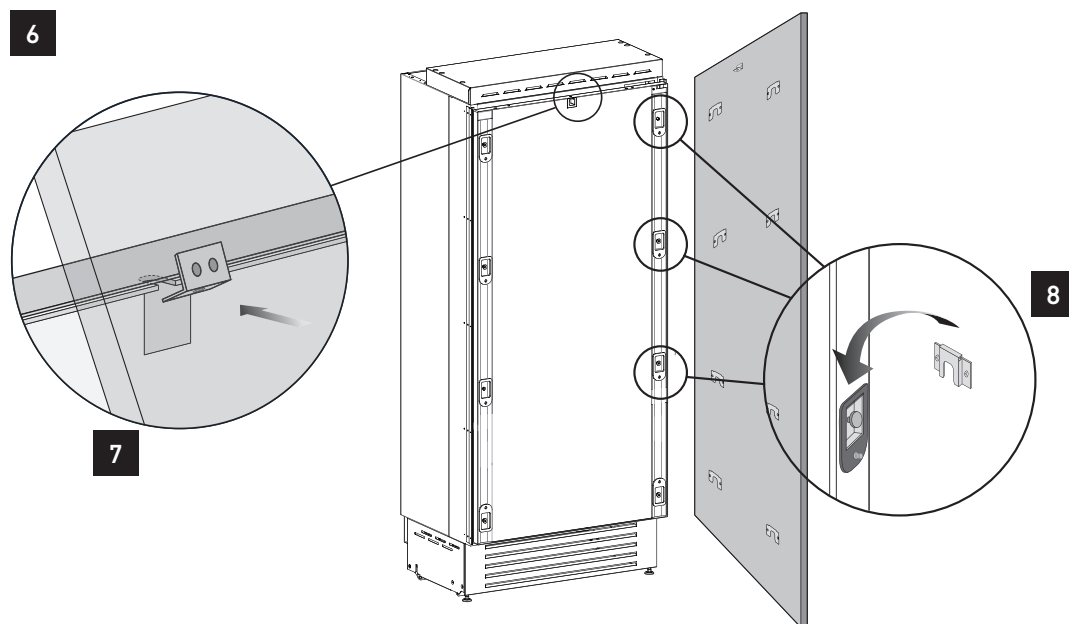
## 5. MONTAGE DES PANNEAUX

### 5.5 Fixation des panneaux à la porte

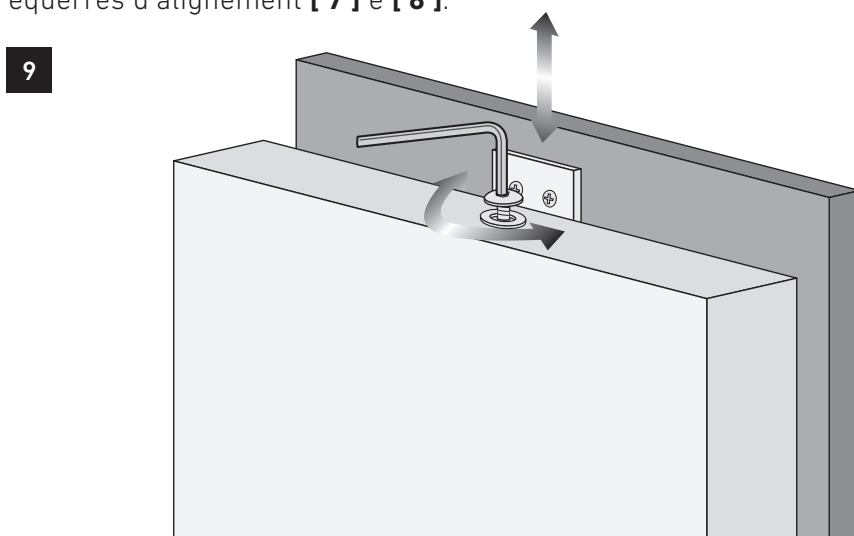
 Après avoir appliqué les pattes de fixation et les équerres aux panneaux, commencer l'installation par le tiroir du bas.

#### Intervenir de la manière suivante:

> Accrocher le panneau aux dispositifs de fixation en insérant dans les crans d'alignement supérieurs **[6]**.

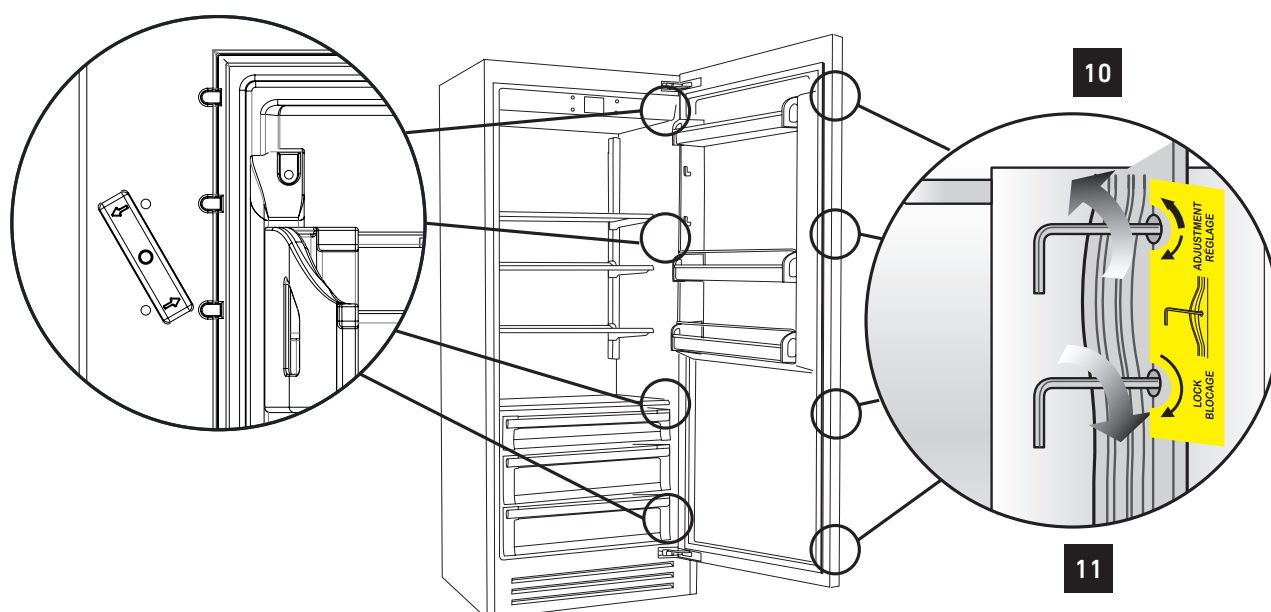


> Il est possible d'ajuster l'alignement du panneau par rapport aux meubles adjacents à l'aide des pattes et des équerres d'alignement **[7]** e **[8]**.



> Il est possible d'ajuster l'alignement du panneau par rapport aux meubles adjacents à l'aide des pattes et des équerres d'alignement **[9]** en vissant ou en dévissant la vis à l'équerre.

► Alignement en profondeur : en opérant de l'intérieur de la porte, après avoir soulevé le joint magnétique du côté de la poignée et en tournant les couvercles en plastique du côté de la charnière, ajuster la position du panneau dans la direction Z en ajustant les boulons à épaulement et les vis de pression en parallèle, au moyen de la clé hexagonale de 4 mm, et verrouiller finalement toutes les positions de montage en place **[ 10 & 11 ]**.



Une fois le panneau avant a été ajusté, vérifiez que le joint a été repositionné correctement pour assurer la porte/ tiroir ferme correctement et éviter les erreurs opérationnelles de l'unité.

La poignée de la porte n'est pas compris dans l'emballage du produit. Il faut l'acheter à part. Pour l'installation du poignée, veuillez vous faire référence aux instructions compris dans l'emballage du poignée.

## 6. INSTALLATION

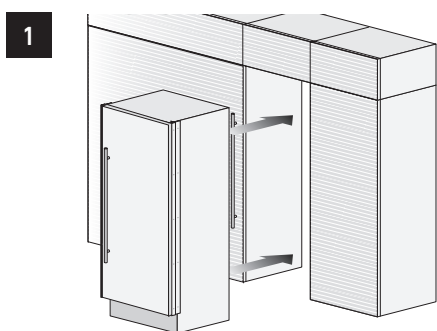
**IMPORTANT:** Les instructions suivantes pour l'installation s'appliquent à tous les modèles Bertazzoni.

### 6.1 Encastrement appareil unique

Des profils sont installés pour fermer les espaces entre l'appareil et les meubles adjacents ou un autre appareil juxtaposé à celui-ci.

**Intervenir de la manière suivante:**

> Pousser l'appareil dans la niche d'installation [ 1 ].

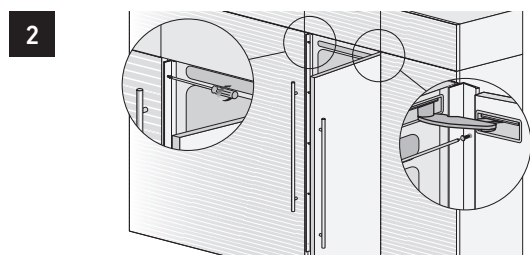


> Assemblez toujours le panneau frontal à la porte avant de placer l'appareil dans sa position définitive dans la niche ou la structure.

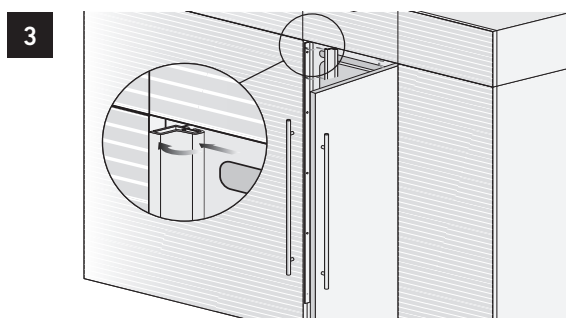
> Vérifier que les pieds et les roues arrière soient à niveau avant d'encastrer l'appareil.

> Fixer l'appareil aux meubles adjacents en visant à ces derniers les deux profils latéraux, déjà montés sur l'appareil [ 2 ].

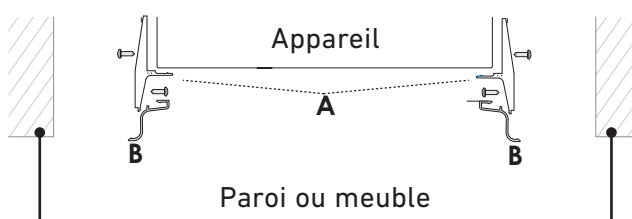
Pour effectuer facilement l'opération, garder la porte ouverte.



> Monter sur les profils les corniches de couverture, en les insérant latéralement et puis en poussant avec force jusqu'au "clic" [ 3 ].



**Schéma de montage profils latéraux:**




**A** Bordure de connexion du profil

**B** Garniture de recouvrement du profil

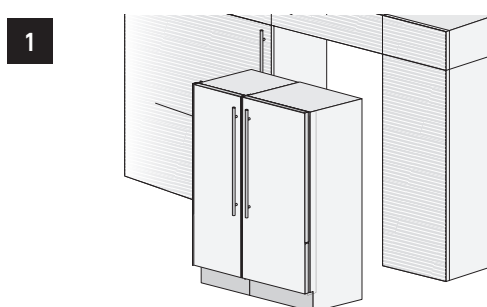
### 6.2 Encastrement combinaison de deux appareils

> Le profile central est compris dans l'emballage du congélateur et cave à vins.

 Des profils en plastique sont compris et peuvent être utilisés pour fermer les espaces entre l'appareil et les meubles adjacents ou un autre appareil juxtaposé à celui-ci.

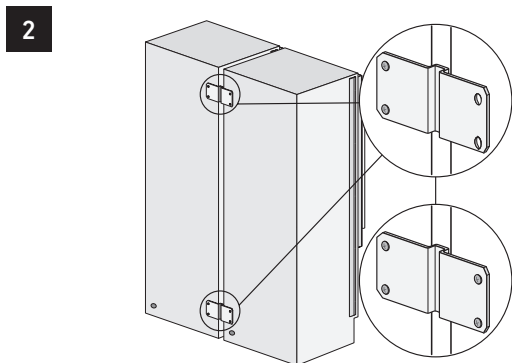
**Intervenir de la manière suivante:**

> Positionner les appareils devant la niche en laissant un espace suffisant pour intervenir sur l'arrière des appareils [ 1 ].

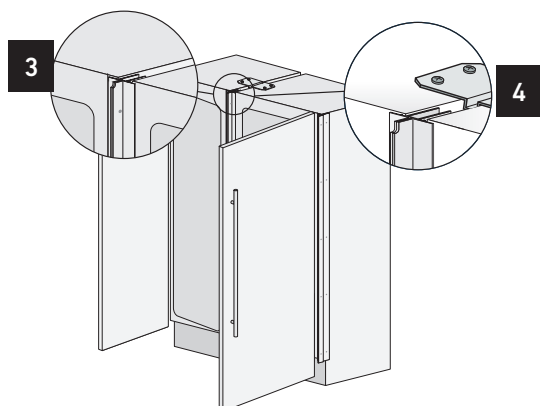




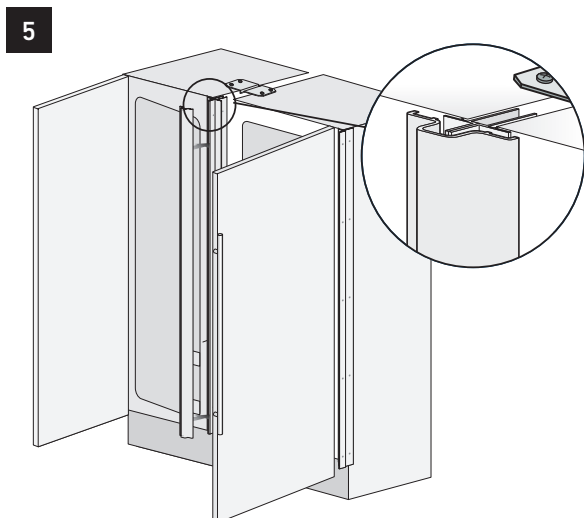
> Passer à l'arrière des appareils pour le montage des équerres de connexion. Fixer un côté de l'équerre supérieure et inférieure, d'abord sur un des deux appareils et ensuite sur l'autre **[ 2 ]**.



> Ensuite les accoupler sur le devant en fixant les deux profils avec les vis ou les rivets fournis **[ 3 ]**. Fixer le support sur la partie supérieure des unités (le cas échéant) comme illustré à la figure **[ 4 ]**.



> Fixer l'équerre supérieure l'inférieure **[ 5 ]**. d'abord sur un appareil et puis sur l'autre. Compléter en montant la corniche de couverture centrale en poussant avec force jusqu'au "clic".

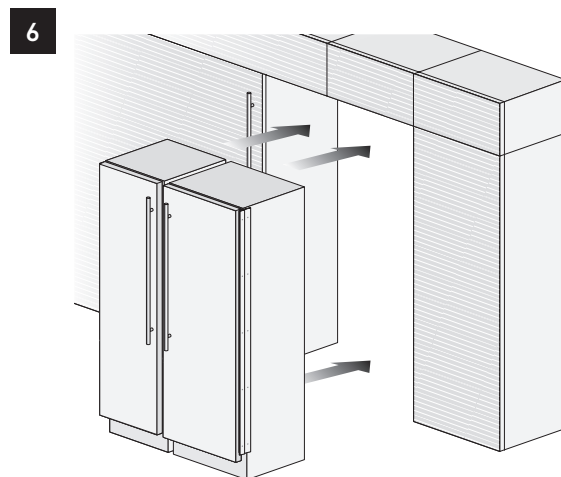


> Une fois complétés les passages ci-dessus, poussez les appareils dans leur position définitive **[ 6 ]**.

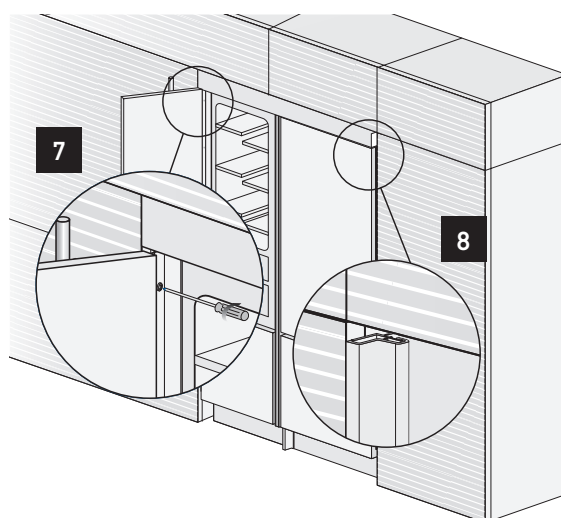
Il sera nécessaire de prévoir une cheminée de ventilation à l'arrière de la niche pour garantir une ventilation adéquate. Un écart de 5 mm est suffisant pour éviter tout surchauffement. Assemblez toujours les panneaux frontaux à la porte et aux tiroirs avant de placer l'appareil dans sa position définitive dans la niche ou la structure.

> Vérifier que les pieds et les roues arrière soient à niveau avant d'encaster l'appareil.

> Fixer chaque appareil aux meubles adjacents en vissant à ces derniers les profils latéraux, déjà montés sur les appareils **[ 7 ]**. Pour effectuer facilement l'opération, garder la porte ouverte.



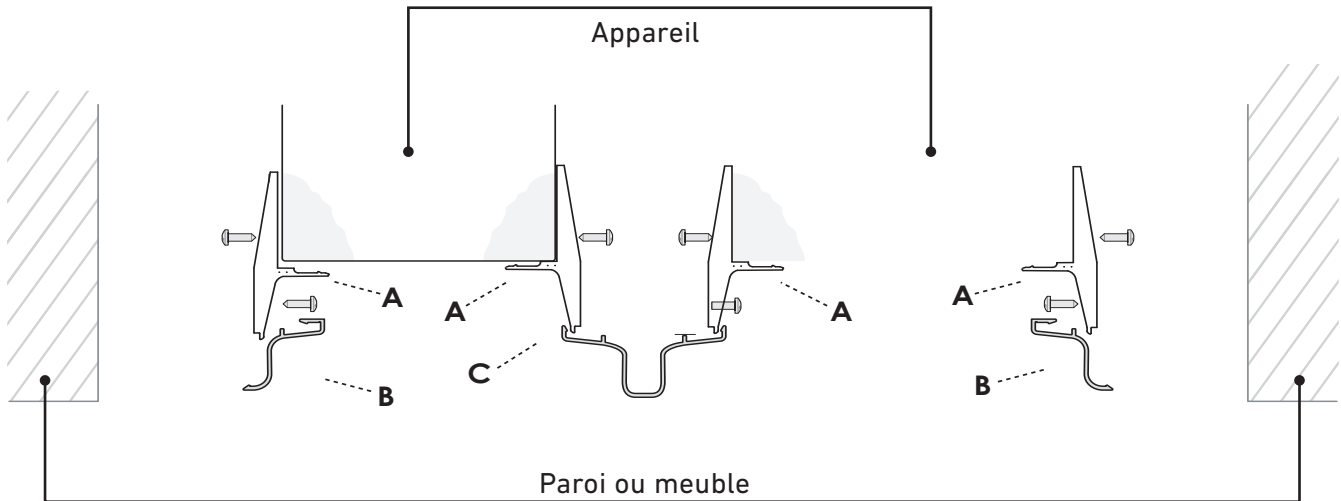
> Monter sur les profils les corniches de couverture, en les insérant latéralement et puis en poussant avec force jusqu'au "clic" (comme pour l'encastrement de l'appareil unique) **[ 8 ]**.



Faire attention car les appareils ont la partie avant plus lourde et peuvent s'incliner avant qu'ils soient fixés aux meubles adjacents.

# 6. INSTALLATION

## Schéma montage des profils central et latéraux:



- A - Bordure de connexion du profil
- B - Garniture de recouvrement du profil latéral
- C - Garniture de recouvrement du profil centrale

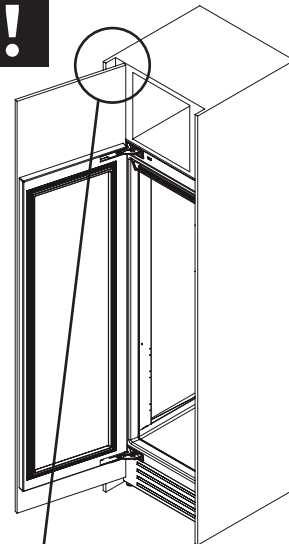


### 6.3 Profondeur maximale structure au-dessus du réfrigérateur encastrable à porte unique

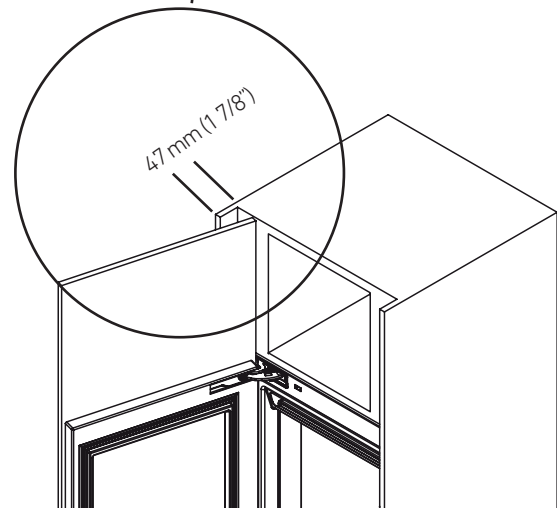
Il est possible que le design de la cuisine et notamment de la niche où doit être introduit le réfrigérateur encastrable prévoit un meuble au-dessus du réfrigérateur, meuble qui doit être fermé aussi par le panneau de la porte du réfrigérateur même.

Dans ce cas, **la profondeur totale du meuble au-dessus du réfrigérateur ne doit pas dépasser la profondeur totale du réfrigérateur même sans la porte [ 1 ].**

De cette façon il n'y aura aucune interférence avec le panneau fixé sur la porte du réfrigérateur, en assurant ainsi une ouverture correcte pendant la rotation jusqu'à 100°.



1



## 7.1 Montage de la sécurité anti-renversement

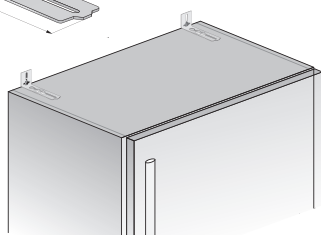
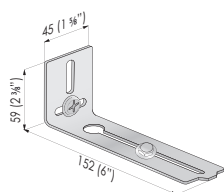


Si l'appareil(s) n'est pas relié par les garnitures des profils latéraux au meuble, il est nécessaire d'installer les équerres antirenversement afin d'éviter toute chute en avant du produit pendant l'utilisation, pouvant entraîner des dommages ou des blessures. Toute demande d'intervention en garantie liée à une situation de renversement sera nulle si l'appareil(s) n'est pas fixé solidement.

### Intervenir de la manière suivante:

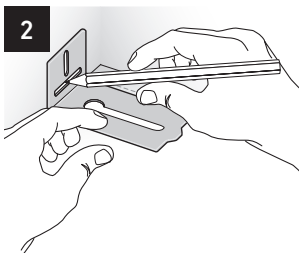
> Les équerres devraient être appliquées comme illustré, en utilisant les vis fournies. En cas d'utilisation des équerres anti-renversement, il est recommandé de les fixer dans des charpentes en bois ou en béton - les plaques de plâtre ne pourraient pas supporter le poids de l'appareil. Positionner un équerre sur la partie supérieure de l'appareil en correspondance des trous de fixation et contre le mur [ 1 ].

1

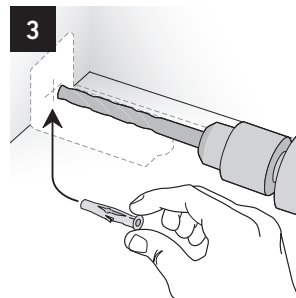


> Marquer la position des trous avec un crayon [ 2 ].

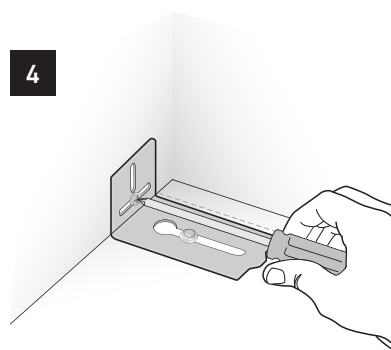
2



> Percer le mur avec une mèche de 8 mm (3/8\") et insérer la vis tamponnée [ 3 ].



> Replacer l'équerre et la fixer d'abord sur la partie supérieure du meuble et, ensuite, au mur [ 4 ].



Pour pouvoir utiliser les équerres anti-renversement sur des modèles avec le compresseur installé sur la partie supérieure, il est nécessaire de retirer temporairement la partie supérieure, le plafond métallique / panneau de protection, afin d'accéder aux points de boulonnage des équerres.

# 7. ACHÈVEMENT DE L'INSTALLATION

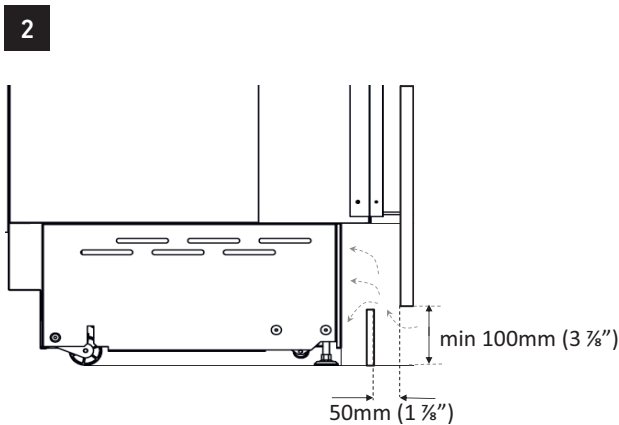
## 7.2 Circulation de l'air

### MODELS ENCASTRABLES ET ENCASTRABLES AVEC PORTE INOX:

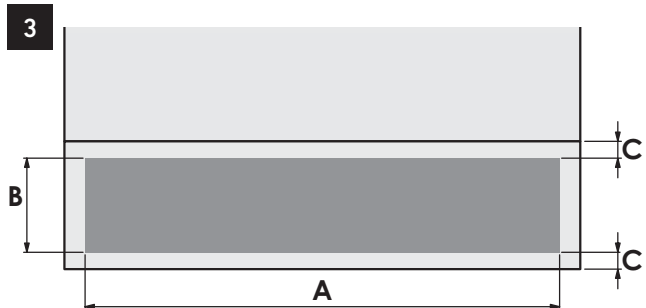
Un système à air forcé assure la ventilation à travers la grille, bien fixée à l'appareil par du plaqués magnétiques, positionnée dans la partie inférieure de l'appareil [ 1 ].



Si l'aménagement de la cuisine prévoit une plinthe, cette dernière doit être placée d'une manière de garder un niveau d'aération satisfaisant, comme expliqué dans le dessin [ 2 ].

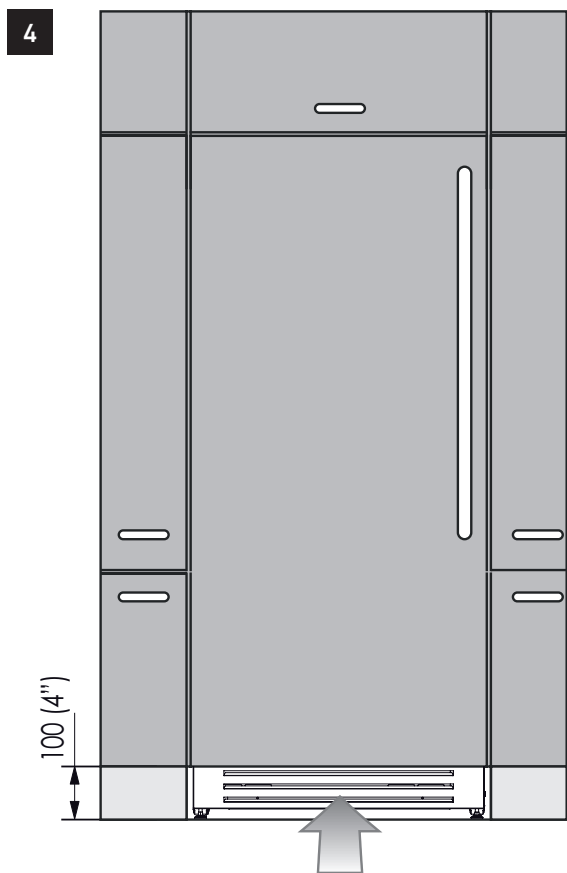


Si la grille est positionnée différemment que le dessin [ 2 ], la plinthe doit être trouée au moins au 50%, comme par les dimensions A et B en bas [ 3 ].



	36 "	30 "	24 "	18 "
A	860 (33 7/8")	740 (29 1/8")	560 (22")	410 (16 1/8")
B	> 100 (4")			
C	10 (3/8")			

Afin de nettoyer régulièrement le condenseur de la poussière, la grille doit toujours être accessible [ 4 ].



## 7.3 Contrôle de fin d'installation

- ✓ Contrôler que les pieds sont correctement installés.
- ✓ Contrôler que le raccordement à l'installation hydrique ne présente pas de fuites d'eau et que le robinet de fermeture est facilement accessible.
- ✓ Contrôler que le branchement électrique soit correctement réalisé et que la fiche et l'interrupteur omnipolaire dédié soient facilement accessibles.
- ✓ Contrôler le parfait alignement de l'appareil avec les meubles adjacents.
- ✓ Contrôler que chaque ruban adhésif ou protection temporaire interne ou externe soit éliminé.
- ✓ Contrôler la parfaite étanchéité des portes et le coulissement des bacs et des clayettes.

## 7.4 Mise en marche

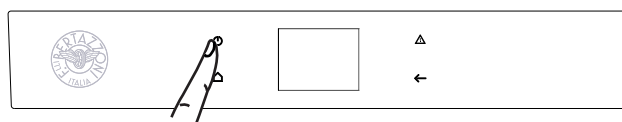
- > Pour mettre en marche l'appareil, brancher la fiche au réseau électrique: lorsque la porte est ouverte, apparaît sur le panneau de commande le message "Stand-by", alors que toutes les touches du panneau sont éteintes.

Stand by

- > Pour mettre en marche tous les compartiments de l'appareil, appuyer pendant 3 secondes sur la touche Unit .

Le message "initial test" apparaîtra pendant environ 2 minutes, ensuite les compresseurs seront actifs jusqu'à attendre la température prévue en usine par défaut. Veuillez noter que cette opération pourrait durer plusieurs heures.

- > Si l'appareil est fourni avec un appareil à glaçons avant de le mettre en marche pour la première fois, veuillez vous assurer que la cartouche du filtre pour l'eau a bien été installée et effectuez un remplissage du circuit hydraulique.



- > Éliminez l'air des conduites d'eau en activant la fonction «Nettoyage manuel» du menu - > Fonctions-> Options de filtre à eau. Vous pourriez avoir besoin de répéter cette séquence plusieurs fois jusqu'à ce que vous arrêtez d'entendre l'air dans le remplissage de la machine à glaçons (Consulter le Mode d'emploi).

- > Une fois que vous êtes convaincu que le système est purgé d'air, allumez la machine à glaçons en touchant le bouton qui s'allume.

- > Pour toute autre information concernant le fonctionnement de l'appareil, se référer au Mode d'emploi.



Si lors de la première mise en marche, n'apparaît pas le message Stand-by, mais apparaissent Fridge too warm, Freezer too warm ou signaux sonores, cela signifie que l'appareil a déjà commencé la procédure de refroidissement.

Dans ce cas désactiver les éventuels messages sonores en effleurant la touche Alarm, refermer la porte et attendre que les températures programmées soient atteintes.



Il faut laisser l'unité atteindre la température de fonctionnement vide et avec la porte fermée avant que les aliments sont stockés à l'intérieur.

Bertazzoni est constamment à la recherche de nouvelles solutions pour améliorer les caractéristiques et le design de ses propres produits et se réserve le droit d'apporter continuellement des modifications à ses modèles.





