

REF24WCPRR

24" BUILT-IN WINE CELLAR COLUMN
PANEL READY RIGHT SWING DOOR



Preserve the character of your favorite wine and champagne as a result of zone dedicated evaporators, cork protecting humidity controls, UV light-shielding glass window and vibration-free variable speed compressor.

Enjoy ample and flexible storage of all type of bottles thanks to Bertazzoni's columns design featuring the most usable interior depth in the category.

Ensure the utmost in bottle storage with a precious wood shelf design anchored by a premium telescopic smooth motion glide system.

Access temperature, humidity and interior lighting settings for each zone through the intuitive digital touch-control interface.

Maintain the correct temperature in each zone when opening the door for reloading, thanks to the unique lateral side-to-side airflow circulation.

Create a truly flush front alignment with the adjacent cabinets and minimal clearance with the exclusive "lift & swing" door hinge.

Customize virtually any column combination suited for your kitchen layout. Single, double, triple and more configurations are possible.

Create a harmonized look throughout the kitchen selecting the handle style that matches your complete Bertazzoni appliances suite. Panel ready models provide the option to mount your own cabinet hardware.

Designed and manufactured with pride in Italy.

Have peace of mind with a standard full 2 years parts & labor warranty and 5 years warranty for the entire sealed system.

PRODUCT FEATURES

| | |
|-------------------|--|
| Size | H: 84" W: 24" D: 24 1/4" |
| Refrigerator type | Built-in wine cellar column |
| Door finish | Panel ready with glass |
| Interior finish | White aluminum |
| User interface | Digital touch control interface inside |
| Lighting | LED lights interior illumination |
| Wine racks | 12 wooden wine racks |
| Cooling system | Two temperature zones |
| Modes | Humidity control, Sabbath mode |
| Open door alarm | Yes |

INTERIOR CAPACITY

| | |
|-----------------|------------|
| Bottle capacity | 80 bottles |
|-----------------|------------|

TECHNICAL SPECIFICATIONS

| | |
|---------------------------------|---|
| Electrical supply | 115 V 60 HZ - 152 W 1.4 Amp |
| Power connection | NEMA 5-15P with 79" power cord |
| Energy consumption | 475.0 kWh/yr |
| Certification | cUL |
| Warranty | 2 years parts & labor Sealed system: 5 years labor |
| Packaging dimensions and weight | W 31 8/16" H 89" D 31 2/16" 346.13 lbs |

OPTIONAL ACCESSORIES

| | |
|----------|-------------------------------------|
| 901560 | 42" Bridge toekick |
| 901561 | 48" Bridge toekick |
| HERHKCOL | Handle kit for columns Heritage |
| MASHKCOL | Handle kit for columns Master |
| PROHKCOL | Handle kit for columns Professional |

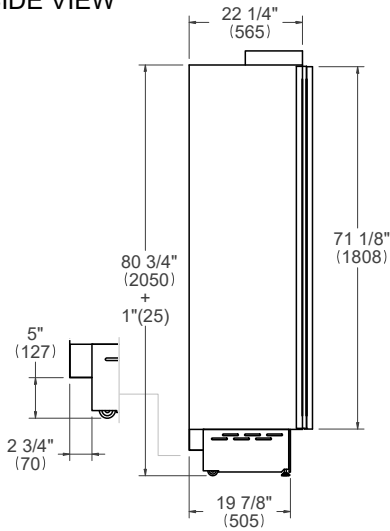
REF24WCPRR

24" BUILT-IN WINE CELLAR COLUMN
PANEL READY RIGHT SWING DOOR

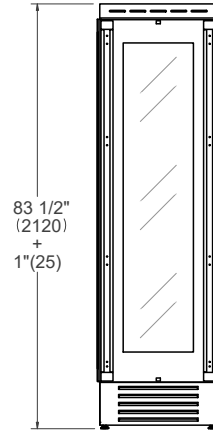


PRODUCT DIMENSIONS

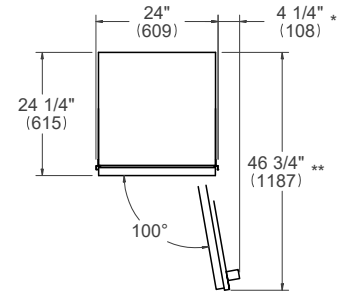
SIDE VIEW



FRONT VIEW



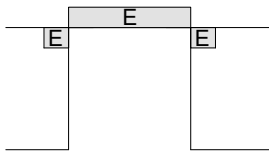
TOP VIEW



* Maximum Overall Handle Dimension
** Width of 3/4" (19mm) Door Panel

ELECTRICAL CONNECTION

TOP VIEW



FRONT VIEW



E A properly-grounded, horizontally-mounted electrical receptacle should be installed according to this drawing.

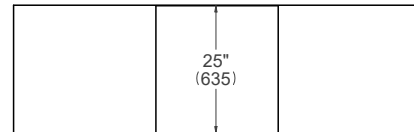
Connection(s) placement within the opening may require additional cabinet depth.

INSTALLATION REQUIREMENTS

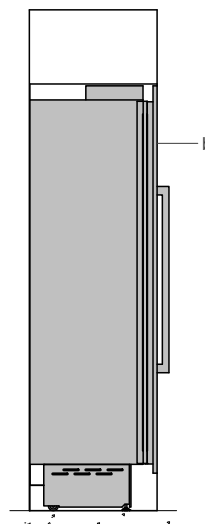
If the appliance(s) is not connected through the side profile trims to secured cabinetry anti-tip brackets must be installed.

CUTOUT DIMENSIONS

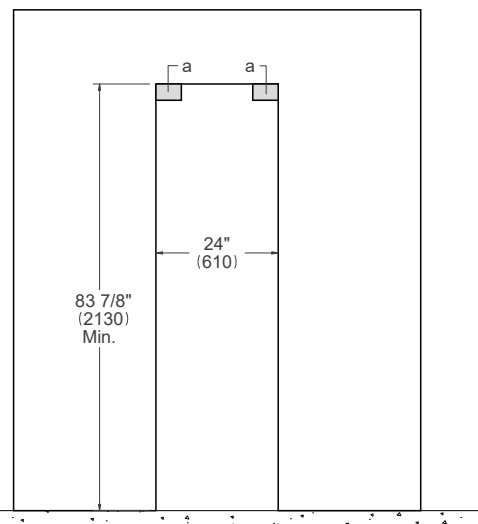
TOP VIEW



SIDE VIEW



FRONT VIEW



- (a) Area to be left clear for the anti-tipping brackets – 3"1/2x5" (82x127mm)
- (b) Panel dimensions available on Built-in Food Preservation Design Guide or Installation Manual

For installation of multiple products in combination, refer to the Built-in Food Preservation Design Guide at us.bertazzoni.com or ca.bertazzoni.com

Disclaimer: while every effort has been made to ensure the accuracy of the information contained in this document, Fratelli Bertazzoni reserves the right to change it at any time without notice. For detailed installation instructions, consult the installation manual. Fratelli Bertazzoni, Bertazzoni and the winged wheel brand icon are registered trademarks of Bertazzoni Spa.