

KG30X

30" WALL MOUNT - GLASS FRONT HOOD



Complete your Bertazzoni kitchen with this modern and powerful range hood.

Choose among 3 extraction airflow speed with booster function, reaching a maximum flow performance of 600 CFM (cubic feet per minute).

Reduce airflow down to 300 CFMs with the digital flow-through restrictor.

Easily control all the hood functions with ease using the touch-through-glass user interface.

Enjoy powerful illumination of the cooking surface with the long lasting and bright LED lights which also don't create additional heat and are energy efficient.

Filter out odors and grease with the stainless steel mesh filters which can be easily cleaned periodically in the dishwasher or by hand.

This hood includes a telescopic duct cover reaching up to 9' high ceilings. Use the optional extension 901562 for taller ceilings.

The hood comes standard for venting outside the kitchen but, can be easily modified for recirculation by installing the optional charcoal filter kit.

Designed with pride by Bertazzoni in Italy.

Industry leading 2 years parts and labor warranty.

PRODUCT FEATURES

Size	30"
Hood type	Wall mount
Hood finish	Black glass + stainless steel frame
Motor	1
Speed	3 + Booster
Hood control	Touch
Lights	2 LED
Filters type	Stainless steel mesh
Extraction power	600 CFM
Sound Level (min)	42 db(A)
Recirculation	Yes
Duct cover	Included
Duct size	6" diameter

TECHNICAL SPECIFICATIONS

Electrical supply	120 V 60 HZ - 422.2 W 3.5 Amp
Power connection	Hardwired
Certification	UL
Warranty	2 years parts & labor
Packaging dimensions and weight	W 38 1/2" H 23 1/32" D 22 1/16" 52.91 lbs

OPTIONAL ACCESSORIES

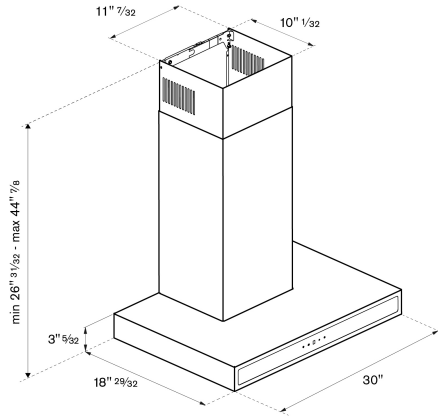
901486	Charcoal filters
901562	Duct Cover Installation up to 10'
901271	Recirculation Kit

KG30X

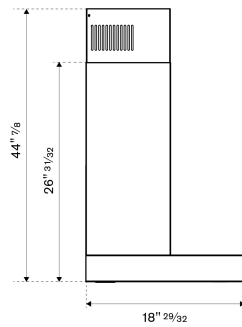
30" WALL MOUNT - GLASS FRONT HOOD



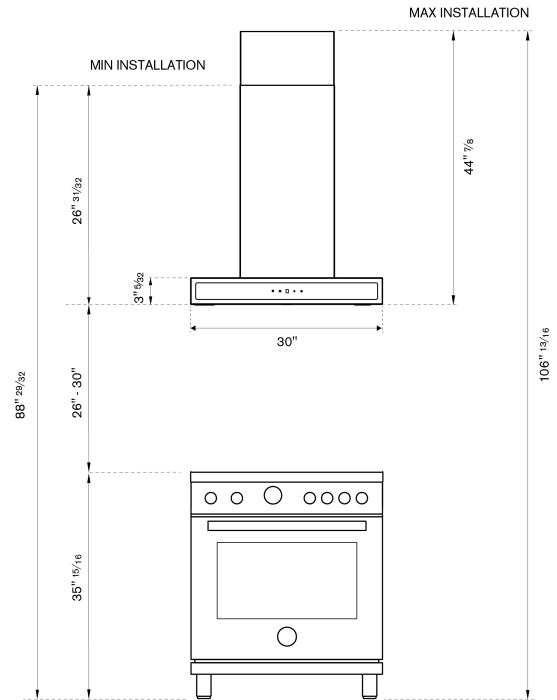
PRODUCT DIMENSIONS



SIDE VIEW



PRODUCT INSTALLATION



Hood Clearance

Recommended height above cooking surface:
min 26" for electric worktop
min 30" for gas worktop