



**KG30X**

**KG36X**

**KG48X**

**Hood** User manual

EN

**Hotte** Notice d'utilisation

F

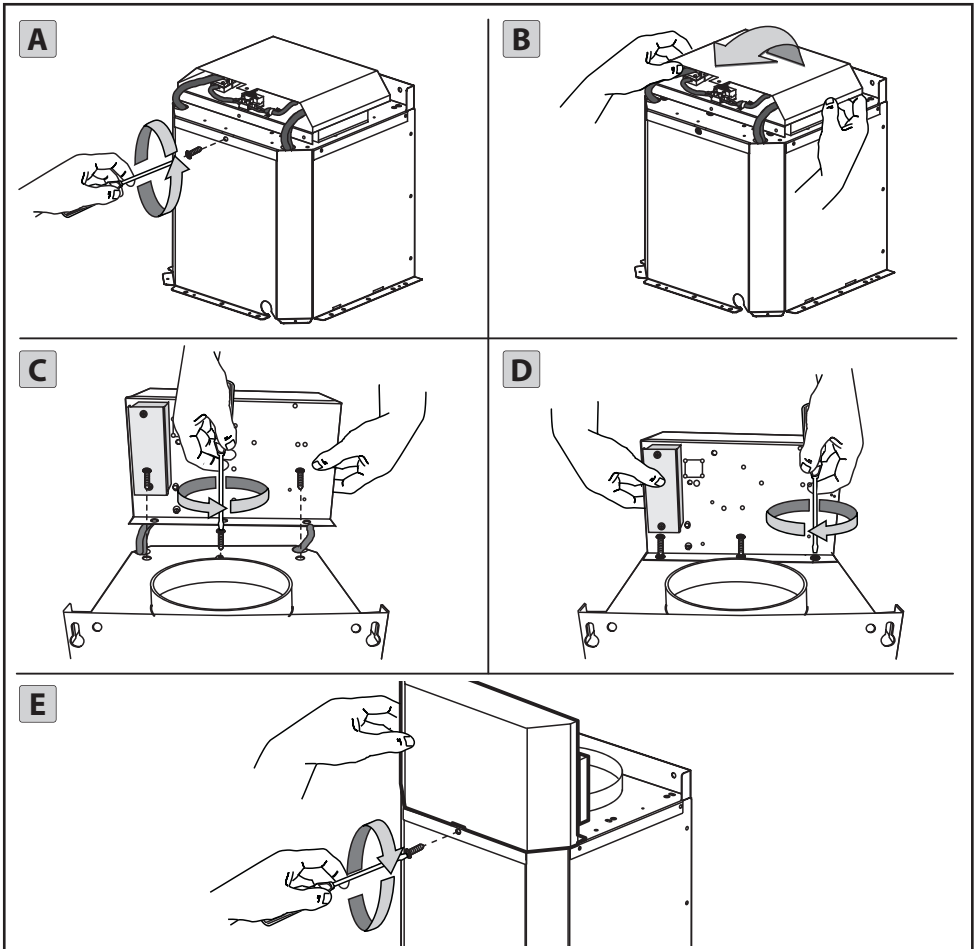
**Campana** Manual de utilización

E

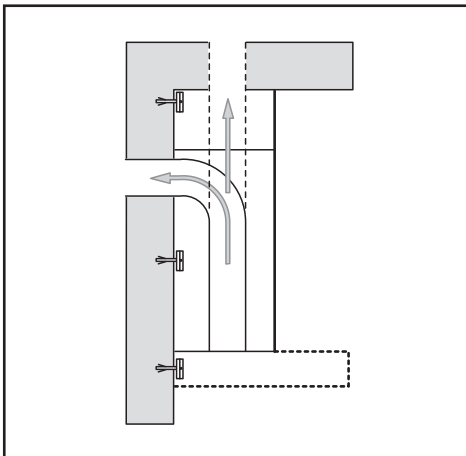
**Cappa** Manuale d'utilizzo

IT

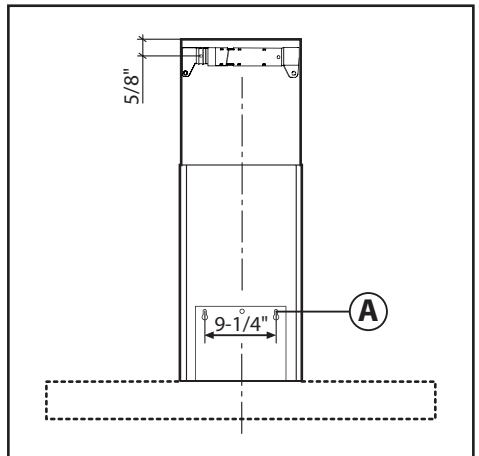




**Fig.1**



**Fig.2**



**Fig.3**

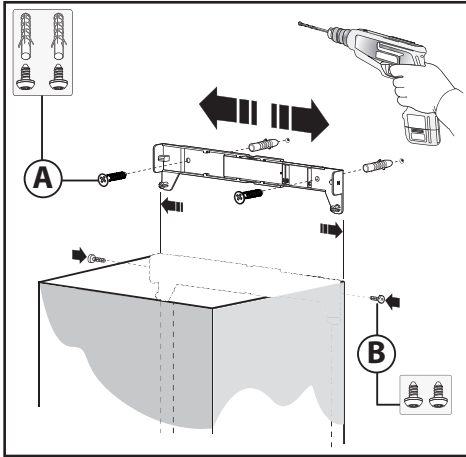


Fig.4

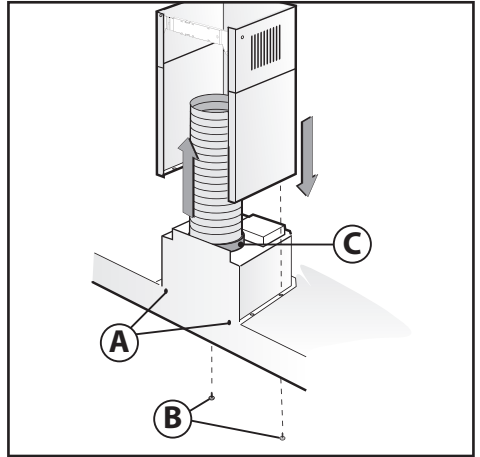


Fig.5

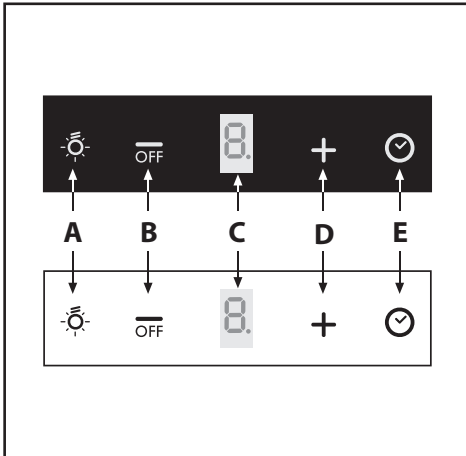
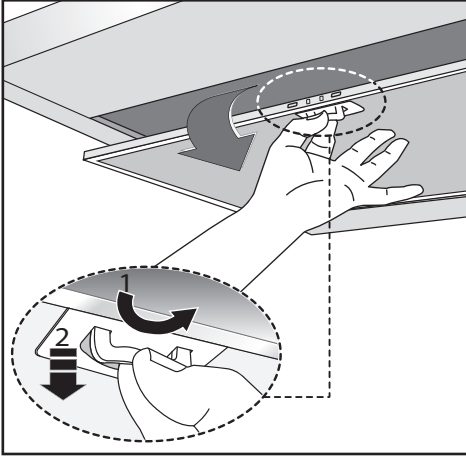
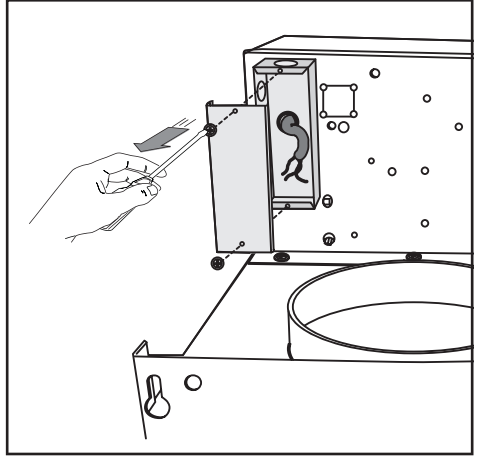


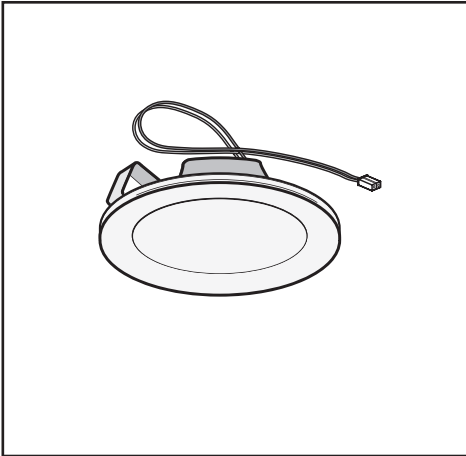
Fig.6



**Fig.7**



**Fig.8**



**Fig.9**

■ **IMPORTANT SAFETY INSTRUCTIONS.**

■ **FOR RESIDENTIAL USE ONLY.**

■ **READ AND SAVE THESE INSTRUCTIONS.**

■ **PLEASE READ ENTIRE INSTRUCTIONS BEFORE PROCEEDING.**

■ **IMPORTANT:** Save these Instructions for the Local Electrical Inspectors use.

■ **INSTALLER:** Please leave these Instructions with this unit for the owner.

■ **OWNER:** Please retain these instructions for future reference.

■ Take care when using cleaning agents or detergents.

■ Suitable for use in household cooking area.

■ **WARNING** - To reduce the risk of fire or electric shock, do not use this fan with any Solid-State Speed Control Device.

■ **CAUTION** - To reduce risk of fire and to properly exhaust air, be sure to duct air outside – Do not vent exhaust air into spaces within walls or ceilings or into attics, crawl spaces, or garages.

■ **CAUTION** - For general ventilating use only. Do not use to exhaust hazardous or explosive materials and vapors.

■ **CAUTION** - To avoid motor bearing damage and noisy and/or unbalanced impellers, keep drywall spray, construction dust, etc. off power unit.

■ **CAUTION** - Please read specification label on product for further information and requirements.

■ **WARNING** – TO REDUCE THE RISK OF FIRE, ELECTRIC SHOCK, OR INJURY TO PERSONS, OBSERVE THE FOLLOWING:

**A.** Use this unit only in the manner intended by the manufacturer. If you have questions, contact the manufacturer.

**B.** Before servicing or cleaning unit, switch power off at service panel and lock the service disconnecting means to prevent power from being switched on accidentally. When the service disconnecting means cannot be locked, securely fasten a prominent warning device, such as a tag, to the service panel.

■ **WARNING - TO REDUCE THE RISK OF A RANGE TOP GREASE FIRE:**

**A.** Never leave surface units unattended at high settings. Boilovers cause smoking and greasy spillovers that may ignite. Heat oils slowly on low or medium settings.

**B.** Always turn hood ON when cooking at high heat or when flambeing foods (i.e. Crepes

Suzette, Cherries Jubilee, Peppercorn Beef Flambè).

- C. Clean ventilating fans frequently. Grease should not be allowed to accumulate on fan or filter.
- D. Use proper pan size. Always use cookware appropriate for the size of the surface element.
- E. Keep fan, filters and grease laden surface clean.
- F. Use high range setting on range only when necessary. Heat oil slowly on low to medium setting.
- G. Don't leave range unattended when cooking.
- H. Always use cookware and utensils appropriate for the type and amount of food being prepared.

■ **WARNING** – TO REDUCE THE RISK OF INJURY TO PERSONS IN THE EVENT OF A RANGE TOP GREASE FIRE, OBSERVE THE FOLLOWING<sup>a</sup>:

- A. SMOTHER FLAMES with a close-fitting lid, cookie sheet, or metal tray, then turn off the burner. BE CAREFUL TO PREVENT BURNS. If the flames do not go out immediately, EVACUATE AND CALL THE FIRE DEPARTMENT.
  - B. NEVER PICK UP A FLAMING PAN – You may be burned.
  - C. DO NOT USE WATER, including wet dishcloths or towels – a violent steam explosion will result.
  - D. Use an extinguisher ONLY if:
    - 1. You know you have a Class ABC extinguisher, and you already know how to operate it.
    - 2. The fire is small and contained in the area where it started.
    - 3. The fire department is being called.
    - 4. You can fight the fire with your back to an exit.
- <sup>a</sup>Based on "kitchen firesafety tips" published by NFPA.

**Proper maintenance of the Range Hood will assure proper performance of the unit.**

■ **INSTALLATION INSTRUCTIONS**

**WARNING** – TO REDUCE THE RISK OF FIRE, ELECTRIC SHOCK, OR INJURY TO PERSONS, OBSERVE THE FOLLOWING:

- A. Installation work and electrical wiring must be done by qualified person(s) in accordance with all applicable codes and standards, including fire-rated construction.
- B. Sufficient air is needed for proper combustion and exhausting of gases through the flue (chimney) of fuel burning equipment to prevent back drafting. Follow the heating equipment manufacturer's guideline and safety standards such as those published by the National Fire Protection Association (NFPA), and the American Society for Heating, Refrigeration and Air Conditioning Engineers (ASHRAE), and the local code authorities.
- C. When cutting or drilling into wall or ceiling, do not damage electrical wiring and other hidden utilities.
- D. Ducted fans must always be vented to the outdoors.
- E. This unit must be grounded.

■ **WARNING** - TO REDUCE THE RISK OF FIRE, USE ONLY METAL DUCTWORK.

- **WARNING** - UNDER CERTAIN CIRCUMSTANCES DOMESTIC APPLIANCES MAY BE DANGEROUS.
  - A.** Do not check filters with hood working.
  - B.** Do not touch the lamps after a prolonged use of the appliance.
  - C.** No food must be cooked flambè underneath the hood.
  - D.** The use of an unprotected flame is dangerous for the filters and could cause fires.
  - E.** Watch constantly the fried food in order to avoid the cooking oil flares up.
  - F.** Before performing any maintenance operation, disconnect the hood from the electrical service.
- 
- The manufacturers will not to accept any responsibility for eventual damages, because of failure to observe the above instructions.



- **INSTALLATION INSTRUCTIONS.**
- **OPERATING INSTRUCTION.**
- **READ AND SAVE THESE INSTRUCTIONS.**

#### ■ **GENERAL**

Carefully read the following important information regarding installation safety and maintenance. Keep this information booklet accessible for further consultations. The appliance has been designed for use in the ducting version (air exhaust to the outside - Fig.1B).

#### ■ **INSTALLATION INSTRUCTIONS**

##### • **Power Supply Connection:**

For connection to the power supply refer to the follows Fig.8:

**BLACK = L** line

**WHITE = N** neutral

**GREEN/YELLOW = G** ground

A double-pole switch properly rated must be installed to provide the range hood power supply disconnection. The appliance must be installed at a minimum height of 26 inches (66 cm) from an electric cooker stove, or 30 inches (76 cm) from gas or combined cooker stoves. If a connection ductwork composed of two parts is used, the upper part must be placed outside the lower part. Do not connect the range hood exhaust duct air to the same duct air used to exhaust hot air or fumes from other appliances other than electrical. Before proceeding with the assembly operations, remove the anti-grease filter(s) (Fig.7) so that the unit is easier to handle.

■ **WARNING - TO REDUCE THE RISK OF FIRE, ELECTRIC SHOCK, OR INJURY TO PERSONS, OBSERVE THE FOLLOWING: Before making electrical connections to power supply, the electrical box must be secured in place as indicated in Fig.1.**

##### • **Before installing the appliance fix the electrical box as indicated in Fig.1:**

- Remove the central screw Fig.1A.
- Lift the electrical plant box Fig.1B.
- Remove the 3 fixed screws Fig.1C.
- Position the electrical box so it is in line with the holes of the previously removed screws Fig.1D and tighten.
- Pay attention that the tear tape of the electrical box is inside the slot and then tighten screw Fig.1E.

##### • **Fixing to the wall:**

Drill the holes **A** respecting the distances indicated (Fig.3). Fix the appliance to the wall and align it in horizontal position to the wall units. When the appliance has been adjusted, definitely fix the hood using the screws **A** (Fig.5). For the various installations use screws and screw anchors suited to the type of wall (e.g. reinforced concrete, plasterboard, etc.). If the screws and screw anchors are provided with the product, check that they are suitable for the type of wall on which the hood is to be fixed.

### • **Fixing the decorative telescopic flue:**

Arrange the electrical power supply within the dimensions of the decorative flue. If your appliance is to be installed in the ducting version or in the version with external motor, prepare the air exhaust opening. Adjust the width of the support bracket of the upper flue (Fig.4). Then fix it to the ceiling using the screws **A** (Fig.4) in such a way that it is in line with your hood and respecting the distance from the ceiling indicated in Fig.3. Connect the flange **C** to the air exhaust hole using a connection pipe (Fig.5). Insert the upper flue into the lower flue. Fix the lower flue to the hood using the screws **B** provided (Fig.5), extract the upper flue up to the bracket and fix it with the screws **B** (Fig.4).

### ■ **USE**

#### • **The apparatus is equipped with the following controls (Fig.6):**

**Push-button A** = On/off lights switch.

**Push-button B** = On/off cooker hood switch. The appliance switches on at speed level 1, If the cooker hood is on depress the push-button for 2 sec. to switch off the cooker hood. If the cooker hood is at speed level 1 it will not be necessary to depress the push-button to switch the cooker hood off. Decreases the motor speed.

**Display C** = Indicates the motor speed level selected and activates the timer.

**Push-button D** = Switches on the cooker hood. Increases the motor speed. Touching the key at 3rd speed, the intensive function runs for 10', then the appliance go back to work at the original speed. During this function the display blinks.

**Key E** = The Timer times the functions on activation for 15 minutes, after which they are switched off. The Timer is deactivated by re-pressing Key **E**. When the Timer is activated the decimal point must flash on the display. The Timer cannot be activated if the intensive speed is functioning.

The “**clean air**” function is activated by pressing key **E** for 2 seconds when the appliance is switched off. This switches the motor on for 10 minutes every hour at the first speed. During functioning a rotary movement of the peripheral segments must be visualised on the display. When this time has passed the motor switches off and the fixed letter “**C**” must be visualised on the display until the motor re-starts after 50 minutes for another 10 minutes and so on. Press any key apart from the light keys to return to normal functioning. Press key **E** to deactivate the function.

#### • **Active carbon/grease filter saturation:**

-When display item **C** flashes, at a speed where it alternates with the letter **F** (e.g. 1 and **F**), the **grease** filters must be washed.

-When display item **C** flashes, at a speed where it alternates with the letter **A** (e.g. 1 and **A**), the **carbon** filters must be replaced.

After the clean filter has been positioned correctly, the electronic memory must be reset by pressing button **A** for approximately **5 seconds**, until the indication **F** or **A** shown on the display **C** stops flashing.

The “**automatic stop timer**” delays stopping of the hood, which will continue functioning for 15 minutes at the operating speed set at the time this function is activated.

- **Automatic light plus motor operation:**

Ensure that the cooker hood is in the OFF position and depress the logic button. The motor starts up at the speed selection 1 and the lights remain switched off. When the Logic function detects the presence of a person or an increase in fumes and/or vapour, the lights turn on automatically and the motor moves to speed selection 2. After 15 seconds the light switches off and the motor returns to the speed selection 1. Depress the Logic button to deactivate the Logic function.

- **Automatic light operation:**

Ensure that the the cooker hood is in the OFF position, depress the light button and then the Logic button. The lights switch on automatically when the Logic function detects the presence of a person. The light switches off after 15 seconds. Depress the Logic button to deactivate the Logic function.

- **Automatic motor operation:**

Ensure that the the cooker hood is in the OFF position, depress the motor start button on speed selection 1 or 2 and then the Logic button. When the Logic function detects the presence of a person or the increase of fumes and/or vapour it will increase the motor speed automatically. Depress the Logic button in order to deactivate the Logic function.

## ■ MAINTENANCE

- We recommend that the range hood is switched on before any food is cooked. We also recommend that the appliance is left running for 15 minutes after the food is cooked, in order to thoroughly eliminate all contaminated air.

The effective performance of the range hood depends on constant maintenance; the anti-grease filter and the active carbon filter both require special attention.

- **The anti-grease filter** is used to trap any grease particles suspended in the air, therefore is subject to saturation (the time it takes for the filter to become saturated depends on the way in which the appliance is used).

- To prevent potential fire hazards, the anti-grease filters should be washed a minimum of every 2 months (it is possible to use the dishwasher for this task).

- After a few washes, the colour of the filters may change. This does not mean they have to be replaced.

If the replacement and washing instructions are not followed, the anti-grease filters may present a fire hazard.

- **The active carbon filters** are used to purify the air which is released back into the room. The filters are not washable or re-usable and must be replaced at least once every four months. The active carbon filter saturation level depends on the frequency with which the appliance is used, the type of cooking performed and the regularity with which the anti-grease filters are cleaned.

- Clean the range hood frequently, both inside and outside, using a cloth which has been dampened with denatured alcohol or neutral, **non-**abrasive liquid detergents.

- The light on the range hood is designed for use during cooking and not for general room illumination. Extended use of the light reduces the average duration of the bulb.

**Attention !**

Before to effectuate the substitution of the dichroic lamps check the wattage (Watt) indicated on the data plate inside the hood.

**• Replacing light Leds "1.1 W" (Fig.9):**

Replace the bulbs with new ones of the same type.

- **INSTRUCTIONS DE SECURITE IMPORTANTES.**
- **POUR UN USAGE DOMESTIQUE EXCLUSIVEMENT.**
- **LIRE ET CONSERVER LES INSTRUCTIONS.**
- **COMMENCER PAR LIRE ENTIEREMENT LES INSTRUCTIONS.**
- **IMPORTANT:** Conserver les Instructions à usage des Inspecteurs Electriques Locaux.
- **A L'ATTENTION DE L'INSTALLATEUR:** Laisser les Instructions dans l'unité à usage du propriétaire.
- **A L'ATTENTION DU PROPRIETAIRE:** Conserver les Instructions pour des consultations ultérieures.
  
- N'utiliser des produits de nettoyage ou des détergents qu'avec la plus grande prudence.
- Cet appareil est propre à une utilisation domestique et culinaire.
  
- **AVERTISSEMENT** – Afin de réduire les risques d'incendie ou d'électrocution, ne pas utiliser le moteur avec un Dispositif de Contrôle de la Vitesse à Semi-conducteurs quel qu'il soit.
  
- **ATTENTION** – Afin de réduire les risques d'incendie et de permettre une aspiration correcte de l'air, s'assurer que celui-ci est bien transporté à l'extérieur à travers un conduit d'évacuation. – Ne pas évacuer l'air dans des interstices tels qu'entre des cloisons ou des plafonds, dans des greniers, des espaces confinés ou des garages.
  
- **ATTENTION** – N'utiliser que pour une ventilation générique. Cet appareil n'est pas propre à l'aspiration de matières ou de vapeurs dangereuses ou explosives.
  
- **ATTENTION** – Afin d'éviter des bruits et des dommages au niveau du moteur, et/ou un déséquilibre au niveau des hélices, veiller à ce que l'unité d'alimentation n'entre pas en contact avec du spray, de la poussière etc.
  
- **ATTENTION** – Pour obtenir des compléments d'informations, consulter l'étiquette de spécification sur le produit.
  
- **AVERTISSEMENT** – AFIN DE RÉDUIRE LES RISQUES D'INCENDIE, D'ÉLECTROCUTION OU DE DOMMAGES AUX PERSONNES, RESPECTER LES REGLES SUIVANTES:
  - A. N'utiliser l'unité que pour les opérations prévues par le fabricant. Pour toute question éventuelle, contacter le fabricant.
  - B. Avant d'effectuer des opérations de maintenance ou de nettoyage sur l'unité, débrancher le panneau de service et fermer à clef les commandes de déconnection afin d'éviter toute mise sous tension accidentelle.  
Au cas où les commandes de déconnection ne pourraient être fermées à clef, fixer sur

lepanneau de service un message avertissant du danger, par exemple une plaque.

#### ■ **AVERTISSEMENT – AFIN DE RÉDUIRE LES RISQUES D’INCENDIE PAR INFLAMMATION DES GRAISSES PRESENTES SUR LA GAZINIÈRE:**

- A.** Ne jamais laisser de casseroles sur feu vif sans surveillance. D'éventuels débordements dus à une forte ébullition peuvent provoquer de la fumée et des dépôts de graisses susceptibles de prendre feu. Réchauffer l'huile lentement, à petit feu ou moyen.
- B.** ALLUMER systématiquement la hotte pour cuisiner à des températures élevées ou pour flamber des aliments (ex.: Crêpes Suzette, Cherries Jubilee – cerises flambées au brandy et glace -, Boeuf flambé au poivre).
- C.** Nettoyer souvent le moteur. Eviter que les graisses ne s'accumulent sur le moteur ou sur le filtre.
- D.** Utiliser des plats aux dimensions adaptées. Toujours utiliser des ustensiles de cuisine adaptés à la taille de la casserole qui se trouve sur la cuisinière.
- E.** Veiller à ce que le moteur, les filtres et la surface où viennent s'accumuler les graisses restent propres.
- F.** N'utiliser une flamme élevée que lorsque cela est nécessaire. Réchauffer l'huile lentement, à faible ou moyenne température.
- G.** Ne jamais laisser la cuisinière sans surveillance pendant la cuisson.
- H.** Utiliser systématiquement des ustensiles de cuisine adaptés au type et à la quantité d'aliments que l'on prépare.

#### ■ **AVERTISSEMENT – AFIN DE RÉDUIRE LES RISQUES DE DOMMAGES AUX PERSONNES EN CAS D’INCENDIE PAR INFLAMMATION DES GRAISSES PRESENTES SUR LA CUISINIÈRE, RESPECTER LES REGLES SUIVANTESa:**

- A.** ETOUFFER LA FLAMME à l'aide d'un couvercle hermétique, une plaque à four ou un plateau en métal et éteindre le brûleur. PROCEDER AVEC LA PLUS GRANDE PRUDENCE AFIN D'EVITER TOUTE BRULURE. Si les flammes ne s'éteignent pas immédiatement, EVACUER LA PIECE ET APPELER LES POMPIERS.
  - B.** NE JAMAIS TOUCHER UN PLAT EN FEU – on risque de se brûler.
  - C.** NE PAS UTILISER D'EAU, ni de chiffons ou de serviettes humides – cela pourrait provoquer une violente explosion de vapeur.
  - D.** Utiliser un extincteur **UNIQUEMENT** dans les cas suivants:
    - 1.** On dispose d'un extincteur de Classe ABC que l'on sait faire fonctionner.
    - 2.** L'incendie est peu important et il est confiné à la zone où il a éclaté.
    - 3.** On a déjà appelé les pompiers.
    - 4.** On peut affronter les flammes tout en ayant une issue de secours derrière soi.
- aBasé sur les « mesures de sécurité incendie dans la cuisine » publiées par l'organisme NFPA.

**Une bonne maintenance de la hotte garantit le parfait fonctionnement de l'unité.**

#### ■ **INSTRUCTIONS D'INSTALLATION**

**AVERTISSEMENT – AFIN DE RÉDUIRE LES RISQUES D’INCENDIE, D’ÉLECTROCUTION OU DE DOMMAGES AUX PERSONNES, RESPECTER LES REGLES SUIVANTES:**

- A.** Les opérations d'installation et de branchement électrique doivent être effectuées par

du personnel qualifié, conformément aux lois et aux normes en vigueur, y compris celles relatives aux appareils à feu.

- B.** Il est nécessaire de disposer d'une quantité d'air suffisante pour une bonne combustion et aspiration des gaz à travers le conduit de fumée de l'installation de combustion du carburant, afin d'éviter un appel d'air de l'arrière. Suivre les indications du fabricant de l'installation de chauffage et les normes de sécurité correspondantes telles que celles émises par l'Association Nationale de Protection contre les Incendies (National Fire Protection Association - NFPA), la Société Américaine des Techniciens de Chauffage, Réfrigération et Climatisation de l'Air (American Society for Heating, Refrigeration and Air Conditioning Engineers - ASHRAE), et par les autorités locales préposées.
- C.** Au cours des opérations de découpage ou de perforation du mur ou du plafond, veiller à ne pas endommager les câbles électriques ou d'autres canalisations cachées.
- D.** L'appareil doit toujours être relié à un trou d'évacuation vers l'extérieur.
- E.** L'unité doit être reliée à la terre.

■ **AVERTISSEMENT** – AFIN DE RÉDUIRE LES RISQUES D'INCENDIE, N'UTILISER QUE DES CONDUITS METALLIQUES.

■ **AVERTISSEMENT** – LES APPAREILS ELECTROMENAGERS PEUVENT PARFOIS S'AVERER DANGEREUX.

- A.** Ne pas contrôler les filtres lorsque la hotte est en état de marche.
  - B.** Ne pas toucher les lampes après une utilisation prolongée de l'appareil.
  - C.** Ne jamais faire flamber d'aliments sous la hotte.
  - D.** L'usage de flammes libres est dangereux pour les filtres et peut générer des incendies.
  - E.** Contrôler constamment les fritures pour éviter que des éclaboussures d'huile ne prennent feu.
  - F.** Avant d'effectuer toute opération de maintenance, débrancher la hotte du réseau d'alimentation électrique.
- Le fabricant ne pourra être retenu responsable d'éventuels dommages causés par le non respect des instructions susmentionnées.

- **INSTRUCTIONS D'INSTALLATION.**
- **INSTRUCTIONS POUR LE FONCTIONNEMENT DE L'APPAREIL.**
- **LIRE ET CONSERVER LES INSTRUCTIONS.**

## ■ GENERALITES

Lire attentivement les informations suivantes, relatives à la sécurité dans les opérations d'installation et de manutention. Conserver ce fascicule d'informations pour des consultations ultérieures. Cet appareil a été conçu pour être utilisé en version aspirante (évacuation de l'air vers l'extérieur - Fig.1).

## ■ INSTRUCTIONS D'INSTALLATION

### • **Branchement électrique:**

Pour brancher l'appareil au réseau d'alimentation électrique, suivre les indications reportées sur la figure 8:

**NOIR = L** ligne

**BLANC = N** neutre

**VERT/JAUNE = G** terre

Un interrupteur bipolaire approprié doit être installé afin de permettre à la hotte de se débrancher du réseau électrique. L'appareil doit être installé à une hauteur minimum de 26 pouces (66 cm) par rapport à une cuisinière électrique, et de 30 pouces (76 cm) s'il s'agit d'une cuisinière à gaz ou combinée. Si l'on utilise un conduit composé de deux éléments, la partie supérieure doit alors être reliée à l'extérieur de la partie inférieure. Ne pas relier le conduit d'aspiration d'air de la hotte à celui utilisé pour aspirer l'air chaud ou les fumées provenant de d'autres appareils électroménagers non électriques. Avant de procéder aux opérations d'assemblage, retirer le(s) filtre(s) anti-graisses (Fig.7). L'unité sera ainsi plus facile à manoeuvrer.

### ■ **ATTENTION: CETTE OPÉRATION DOÎT ÊTRE EFFECTUÉE SANS QUE L'APPAREIL NE SOIT BRANCHÉ AU RÉSEAU D'ALIMENTATION.**

**ATTENTION: Avant de connecter l'appareil à la réseau d'alimentation, la boîte du système électrique doit être positionnée comme indiqué par l'illustration nr.1.**

### • **Avant d'installer l'appareil, effectuez la fixation de la boîte de l'installation électrique (v. Fig.1):**

- Enlevez la vis centrale (Fig.1A).
- Soulevez la boîte de l'installation électrique (Fig.1B).
- Enlevez les 3 vis déjà serrées (Fig.1C).
- Positionnez la boîte de l'installation électrique de sorte qu'elle soit en axe avec les trous des vis précédemment enlevées (Fig.1D) et serrez-les.
- Faites attention à ce que la languette de la boîte de l'installation électrique se trouve à l'intérieur de la fente et serrez la vis (Fig.1E).

### • **Fixation au mur:**

a l'aide d'une perceuse, effectuer les trous **A** en respectant les distances indiquées sur la figure 3. Fixer l'appareil à la paroi et l'aligner en position horizontale avec les unités déjà



fixées sur le mur. Une fois l'appareil réglé, le fixer définitivement à l'aide des vis **A** (Fig.5). Pour les différentes installations utiliser les vis et les supports correspondants adaptés au type de mur sur lequel on entend fixer l'appareil (béton armé, placopatre etc.). Dans le cas où les vis et les supports correspondants fournis avec le produit, contrôler qu'ils sont bien adaptés au type de mur sur lequel sera fixé la hotte.

#### • **Fixation du conduit de fumée télescopique décoratif:**

prédisposer l'alimentation électrique de façon à ce qu'elle soit couverte par le tube télescopique décoratif. Prédisposer le trou d'évacuation d'air. Régler la largeur de l'étrier de support du tube décoratif supérieur (Fig.4). Fixer l'étrier au plafond au moyen des vis **A** (Fig.4) de façon à les aligner avec la hotte et en respectant la distance par rapport au plafond comme indiqué sur la figure 3. Relier la bride **C** au trou d'évacuation d'air en utilisant un tube de raccordement (Fig.5). Insérer le tube décoratif supérieur à l'intérieur du tube inférieur. Fixer ce dernier à la hotte au moyen des vis **B** fournies (Fig.5), extraire le tube supérieur en le portant à hauteur de l'étrier et le fixer à l'aide des vis **B** (Fig.4).

### ■ **UTILISATION**

#### • **L'appareil dispose des commandes suivantes (Fig.6D):**

**Touche A** = Allume/éteint les lumières. **Touche B** = Allume/éteint la hotte. L'appareil s'allume à la 1<sup>o</sup> vitesse. si la hotte est allumée, appuyer sur la touche pendant 2 sec. pour éteindre. Si la hotte se trouve à la 1<sup>o</sup> vitesse, il n'est pas nécessaire de tenir la touche appuyée pour éteindre. Diminue la vitesse du moteur.

**Display C** = Indique la vitesse du moteur sélectionnée et l'activation du timer.

**Touche D** = Allume la hotte. Augmente la vitesse du moteur. En pressant la touche de la 3<sup>ème</sup> vitesse la fonction intensive s'active pendant 10', puis l'appareil recommence à fonctionner à la vitesse d'exercice au moment de la première activation. Pendant cette fonction le display clignote.

**Touche E** = au moment de l'activation le Minuteur temporise les fonctions pendant 15 minutes, après quoi ces dernières s'éteignent. En pressant la touche **E**, le Minuteur se désactive. Quand la fonction Minuteur est active, le point décimal doit clignoter sur l'écran. Si la vitesse intensive est en fonction, le Minuteur ne peut être activé.

En pressant la touche **E** pendant 2 secondes, quand l'appareil est éteint, la fonction "**clean air**" s'active. Cette dernière met en marche le moteur chaque heure pendant 10 minutes à la première vitesse. Durant le fonctionnement l'écran doit visualiser un mouvement rotatif des segments périphériques. Après quoi le moteur s'éteint et l'écran doit visualiser la lettre "**C**" fixe, jusqu'à ce qu'après 50 autres minutes, le moteur reparte pendant 10 minutes supplémentaires et ainsi de suite. Pour retourner au fonctionnement normal presser n'importe quelle touche sauf celle de l'éclairage. Pour désactiver la fonction presser la touche "**E**".

#### • **Saturation filtres anti-gras/charbon actif:**

- Quand l'afficheur **C** clignote et visualise alternativement la vitesse de fonctionnement et la lettre **F** (1 et **F** par ex.) il est temps de laver les filtres **anti-gras**.

- Quand l'écran **C** clignote et visualise alternativement la vitesse de fonctionnement et la

lettre **A** (1 et **A** par ex.) il est temps de changer les filtres à **charbon actif**.

Après avoir remis le filtre propre à sa place, procéder à une remise à zéro de la mémoire électronique en appuyant **5 secondes** de suite sur la touche **A** jusqu'à ce que **F** ou **A** cesse de clignoter sur l'afficheur **C**.

- **Fonctionnement automatique lumières plus moteur:**

Avec la hotte en position OFF, appuyer sur le bouton Logique. Le moteur démarre à la vitesse 1 et les lumières restent éteintes. Quand Logique relève la présence d'une personne ou une augmentation de fumée et/ou de vapeur, il allume automatiquement les lumières et porte le moteur à la vitesse 2. Après 15 secondes, la lumière s'éteint et le moteur retourne en vitesse 1. Pour désactiver Logique il suffit d'appuyer sur le bouton Logique.

- **Fonctionnement automatique lumières:**

Avec la hotte en position OFF, appuyer sur le bouton d'allumage des lumières et ensuite sur le bouton Logique. Quand Logique relève la présence d'une personne, il allume automatiquement les lumières. Après 15 secondes, la lumière s'éteint. Pour désactiver Logique il suffit d'appuyer sur le bouton Logique.

- **Fonctionnement automatique moteur:**

Avec la hotte en position OFF, appuyer sur le bouton d'allumage du moteur en vitesse 1 ou 2 et ensuite sur le bouton Logique. Quand Logique relève la présence d'une personne ou une augmentation de fumée et/ou de vapeur, il porte automatiquement le moteur à la vitesse la plus élevée. Pour désactiver Logique il suffit d'appuyer sur le bouton Logique.

## ■ MANTENANCE

- Il est conseillé de mettre en service la hotte quelques minutes avant de commencer à cuisiner. De même il est conseillé de l'arrêter 15 minutes après avoir terminé la cuisson pour éliminer au maximum les odeurs et évacuer l'air vicié.

Le bon fonctionnement de la hotte est lié à la fréquence des opérations d'entretien et, plus particulièrement, à l'entretien du filtre anti-graisse et du filtre à charbon actif.

- **Le filtre anti-graisse** a pour rôle de retenir les particules grasses en suspension dans l'air. Il peut donc se boucher plus ou moins rapidement selon la fréquence d'utilisation de la hotte.

- Pour prévenir tout risque d'incendie, il faut laver les filtres anti-graisse au moins tous les 2 mois, ces derniers sont lavables même au lave-vaisselle.

- Après plusieurs lavages, ils peuvent changer de couleur. Ceci ne donne pas droit à réclamation ni droit, par conséquent, à leur remplacement.

Le non-respect des consignes de remplacement et de lavage peut entraîner un risque d'incendie des filtres anti-graisse.

- **Les filtres à charbon actif** servent à filtrer l'air qui est ensuite renvoyé dans la pièce. Les filtres ne sont ni lavables ni régénérables, il faut par conséquent les changer au moins tous les quatre mois. La saturation du charbon actif dépend de l'utilisation plus ou moins prolongée de l'appareil, du type de cuisine pratiquée et de la régularité du nettoyage du filtre anti-graisse.

- Nettoyez fréquemment la hotte, à l'intérieur et à l'extérieur, à l'aide d'un chiffon imbibé

d'alcool dénaturé ou de détergents liquides neutres **non** abrasifs.

- N'utiliser l'éclairage de la hotte que pendant la cuisson, ce dernier n'est en effet pas conçu pour un éclairage général prolongé de la pièce. Une utilisation prolongée de l'éclairage diminue considérablement la durée de vie moyenne des lampes.

### **Attention !**

Avant d'effectuer le remplacement des lampes dichroïques, vérifier la puissance (Watt) indiquée sur la plaque signalétique à l'intérieur de la hotte.

- **Remplacement des lampes LED "1.1 W" (Fig.9):**

Remplacez-les par des ampoules de même type.

- **INSTRUCCIONES IMPORTANTES DE SEGURIDAD.**
- **RELATIVAS SOLO AL USO DOMESTICO.**
- **LEA LAS INSTRUCCIONES COMPLETAMENTE ANTES DE PROCEDER.**
- **IMPORTANTE:** Guarde las Instrucciones de uso de los Inspectores Eléctricos Locales.
- **PARA EL INSTALADOR:** Deje las Instrucciones en la unidad de uso del propietario.
- **PARA EL PROPIETARIO:** Guarde las instrucciones para consultas futuras. Preste máxima atención durante el uso de productos de limpieza o detergentes. Aparato adaptado para uso doméstico y culinario.
- **ADVERTENCIA** – Para reducir el riesgo de incendio o de sacudida eléctrica, no use el motor junto con ningún Dispositivo de Control de Velocidad con Semiconductores.
- **ATENCION** – Para reducir el riesgo de incendio y aspirar correctamente el aire, asegúrese que esta última sea transportada al externo a través de un conducto de evacuación. – No descargue el aire en paredes dobles entre paredes o techos o en desvanes, espacios angostos o garajes.
- **ATENCION** – Usar sólo para una ventilación general. No es adaptado para aspirar materiales o vapores peligrosos o explosivos.
- **ATENCION** – Para evitar daños al motor y ruidos, y/o hélices desbalanceadas, evite que la unidad de alimentación llegue a contacto con esprays, polvo, etc.
- **ATENCION** – Para ulterior información y pedidos, lea la etiqueta de especificación del producto.
- **ADVERTENCIA** – PARA REDUCIR EL RIESGO DE INCENDIO, SACUDIDA ELECTRICA O SDAÑOS A PERSONAS, SIGA LAS SIGUIENTES PAUTAS:
  - A. Use la unidad sólo para finalidades previstas por el fabricante. Para eventuales preguntas, contacte el fabricante.
  - B. Antes de efectuar operaciones de mantención o limpieza a la unidad, desconecte la corriente del panel de servicio y cierre con llave los comandos de desconexión para evitar que se encienda accidentalmente la corriente de alimentación.  
Si los comandos de desconexión no pueden ser cerrados con llave, fije firmemente un aviso de peligro que sea evidente al panel de servicio, como una placa por ejemplo.
- **ADVERTENCIA** – **PARA REDUCIR EL RIESGO QUE LA GRASA DE LA SUPERFICIE DEL HORNO SE INCENDIE:**
  - A. Nunca deje ollas en la superficie del horno en posición alta sin supervisión. Eventuales desbordamientos por el hervor pueden causar humo y rebalses de grasa que pueden

- encenderse. Caliente el aceite lentamente en posición baja o media.
- B.** ENCENDER siempre la campana cuando cocine a temperaturas elevadas o cuando flamee los alimentos (ej. Crêpes Suzette, Cherries Jubilee, cerezas flameadas con brandy y helado -, Carne de buey flameada a la pimienta).
  - C.** Limpiar frecuentemente el motor. Evite que la grasa se acumule en el motor o en el filtro.
  - D.** Use cazuelas de dimensiones adaptas. Siempre utilice utensilios de cocina idóneos a la dimensión de la olla que se encuentra sobre la superficie del horno.
  - E.** Mantenga limpio el motor, los filtros y la superficie donde se acumula la grasa.
  - F.** Use el horno en posición alta sólo cuando sea necesario. Caliente el aceite lentamente en posición baja o media.
  - G.** No deje nunca el horno sin supervisión durante la cocción.
  - H.** Use siempre utensilios y herramientas de cocina adaptos al tipo y a la cantidad de comida que esté preparando.

■ **ADVERTENCIA** – PARA REDUCIR EL RIESGO DE DAÑOS A PERSONAS EN CASO QUE SE ENCIENDA LA GRASA DE LA SUPERFICIE DEL HORNO, SIGA LAS SIGUIENTES PAUTAS:

- A.** SOFOQUE LAS LLAMAS con una tapa hermética, una losa de horno o una bandeja metálica y luego apague el quemador. PRESTE MUCHA ATENCION DURANTE ESTA OPERACION PARA EVITAR QUEMADURAS. Si las llamas no se extinguen inmediatamente, EVACUE EL LUGAR Y LLAME A LOS BOMBEROS.
  - B.** NO TOQUE NUNCA UNA CAZUELA HIRVIENTE – se puede quemar.
  - C.** NO USE AGUA, inclusive estropajos o toallas húmedas – se produciría una violenta explosión de vapor.
  - D.** Use un extinguidor SOLO en caso que:
    - 1.** Se tenga un extinguidor de Clase ABC y sepa utilizarlo.
    - 2.** Sea un incendio de dimensiones pequeñas y contenido en el área en la cual ha estallado.
    - 3.** Ya hayan sido llamados los bomberos.
    - 4.** Se puedan afrontar las llamas con la espalda dirigida hacia una salida.
- aBasado en las “medidas sobre seguridad antiincendio en la cocina” publicadas por el NFPA.

**Una correcta mantención de la campana garantiza un funcionamiento perfecto de la unidad.**

## ■ INSTRUCCIONES PARA LA INSTALACION.

- ADVERTENCIA** – PARA REDUCIR EL RIESGO DE INCENDIO, SACUDIDA ELECTRICA O DAÑOS A PERSONAS, SIGA LAS SIGUIENTES PAUTAS:
- A.** Las operaciones de instalación y conexión eléctrica deben ser efectuadas por personal calificado, conforme con las leyes y normativas en vigor, incluyendo las de aparatos de fuego.
  - B.** Es necesario tener una cantidad de aire suficiente para obtener una combustión y aspiración del gas correcta a través del humero de la planta de combustión del carburante, para evitar un tiro del del aire en la parte posterior. Segua las indicaciones del fabricante de la planta de calefacción y las relativas normas de seguridad, como las emitidas por la Asociación Nacional de Protección contra Incendios (National Fire

Protection Association - NFPA), por la Sociedad Americana de Técnicos de Calefacción, Refrigeración y Aire Acondicionado (American Society for Heating, Refrigeration and Air Conditioning Engineers - ASHRAE) y por las autoridades de códigos locales.

- C. Cuando corte o taladre en la pared o el techo, no dañe el cableado eléctrico ni otras utilidades escondidas.
- D. El aparato debe estar siempre conectado a un agujero de evacuación hacia el exterior.
- E. La unidad deber ser conectada al suelo.

■ **ADVERTENCIA** – PARA REDUCIR EL RIESGO DE INCENDIO, USE SOLO TUBERIAS METALICAS.

■ **ADVERTENCIA** – EN CIERTOS CASOS LOS ELECTRODOMESTICOS PUEDEN REVELARSE PELIGROSOS.

- A. No controle los filtros mientras la campana se encuentre en función.
  - B. No toque las luces después de un uso prolongado del aparato.
  - C. Nunca flamee un alimento bajo la campana.
  - D. El uso de llamas libres es peligroso para los filtros y puede generar incendios.
  - E. Controle constantemente los alimentos fritos para evitar que los chorros del aceite de la fritura puedan incendiarse.
  - F. Antes de efectuar cualquier operación de mantención, desconecte la campana de la red eléctrica.
- El fabricante no será responsable por eventuales daños causados por la falta de observación de las instrucciones citadas arriba.

- **INSTRUCCIONES PARA LA INSTALACION.**
- **INSTRUCCIONES PARA EL FUNCIONAMIENTO.**
- **LEA Y GUARDE ESTAS INSTRUCCIONES.**

### ■ **GENERALIDADES**

Lea atentamente la siguiente información relativa a la seguridad durante las operaciones de instalación y mantención. Guarde este opúsculo informativo para ulteriores consultas futuras. El electrodoméstico ha sido proyectado para ser utilizado con la versión aspirante (evacuación del aire hacia el externo - Fig.1).

### ■ **INSTRUCCIONES PARA LA INSTALACION**

#### • **Conexión a la alimentación eléctrica**

Para conectar el electrodoméstico a la alimentación eléctrica, refiérase a lo siguiente, Fig.8:

**NEGRO = L** línea

**BLANCO = N** neutro

**VERDE/AMARILLO = G** tierra

Se debe instalar un interruptor bipolar de una medida apropiada que permita que la campana se conecte a la alimentación eléctrica. El electrodoméstico debe ser instalado a una altura mínima de 26 pulgadas (66 cm) sobre los hornos eléctricos, y de 30 pulgadas (76 cm) en caso se usen hornos a gas o combinados. Si se utiliza una tubería compuesta de 2 partes, la parte superior debe ser colocada al externo de la inferior. No conecte la tubería de aspiración del aire de la campana a aquel usado para aspirar el aire caliente o humo de otros electrodomésticos que no sean eléctricos. Antes de proceder con las operaciones de ensamblaje, quite el/los filtro(s) antigrasa (Fig.7). De este modo será más fácil maniobrar la unidad.

### ■ **¡ATENCIÓN! ESTA OPERACIÓN DEBE SER EJECUTADA CON EL APARATO DESCONECTADO DE LA RED DE ALIMENTACIÓN (Fig.1).**

#### • **Antes de proceder con la instalación del aparato, efectuar la fijación de la caja planta eléctrica tal como indicado en la (Fig.1):**

- Quitar el tornillo central (Fig.1A).
- Levantar la caja planta eléctrica (Fig.1B).
- Quitar los 3 tornillos fijados (Fig.1C).
- Colocar la caja planta eléctrica de modo que esté alineada con los agujeros de los tornillos que fueron quitados precedentemente (Fig.1D) y reatornillar.
- Prestar atención a que la lengüeta de la caja planta eléctrica esté dentro del ojal y reatornillar los tornillos (Fig.1E).

#### • **Fijación a la pared:**

Con la ayuda de un taladro perfora los agujeros **A** respetando las distancias indicadas (Fig.3). Fije el electrodoméstico a la pared y alíneelo en posición horizontal a las unidades de la pared. Cuando el aparato haya sido regulado, fíjelo definitivamente usando los tornillos **A** (Fig.5). Para las diferentes instalaciones utilice tornillos y relativos soportes

que sean adaptos al tipo de pared en la cual se debe fijar el aparato (ej. cemento armado, cartón-yeso, etc.). En caso que los tornillos y relativos soportes sean distribuidos junto con el producto, controle que sean adaptos para el tipo de pared que deberá sostener la campana.

#### • **Fijación del humero telescópico decorativo:**

Coloque alimentación eléctrica de modo que sea cubierta por el tubo telescópico decorativo. Prepare el agujero de evacuación del aire. Regule el ancho de la abrazadera de soporte del tubo decorativo superior (Fig.4). Luego fije la abrazadera al techo con los tornillos **A** (Fig.4) de modo que se alínee con la campana y respetando la distancia con el techo indicada en la Fig.3. Conecte el reborde **C** al agujero de evacuación del aire utilizando un tubo de enlace (Fig.5). Introduzca el tubo decorativo superior dentro del tubo inferior. Fije este último a la campana mediante los tornillos **B** proporcionados (Fig.5), extraiga el tubo superior llevándolo hasta la abrazadera y fjelo con los tornillos **B** (Fig.4).

#### ■ **USO**

##### • **El aparato está equipado con los siguientes comandos (Fig.6):**

**Botón A** = Enciende/apaga las luces.

**Botón B** = Enciende/apaga la campana. El aparato pone en marcha en la 1° velocidad. Si la campana está encendida apriete el botón 2 segundos para apagar. Si la campana está en la 1° velocidad no hay que apretar el botón para apagar. Disminuye la velocidad del motor.

**Display C** = Indica la velocidad del motor seleccionada y la puesta en marcha del timer.

**Botón D** = Enciende la campana. Aumenta la velocidad del motor. Pulsando el pulsador de la tercera velocidad se introduce la función intensiva por 10 minutos, después el aparato vuelve a funcionar a la velocidad de ejercicio al momento de la activación. Durante esta función el display relampagua.

**Botón E** = El Timer temporiza las funciones, al momento de la activación, por 15 minutos después de que se han apagado. El Timer se desactiva volviendo a oprimir el botón **E**. Cuando la función Timer está encendida, en el display debe relampaguear el punto decimal. No se puede activar si está funcionando la velocidad intensiva del Timer.

Si oprime el botón **E** por un par de segundos, mientras el aparato está apagado, se activa la función “**clean air**”. Que enciende el motor en la primera velocidad a 10 minutos por cada hora. Durante el funcionamiento, se debe visualizar en el display un movimiento giratorio de los segmentos periféricos. Transcurrido dicho tiempo el motor se apaga, y se visualiza la letra “**C**” fija en el display, después de 50 minutos éste arranca de nuevo por otros 10 minutos y así sucesivamente. Para regresar al funcionamiento normal apriete cualesquiera de los botones excepto el de la luz. Para desactivar la función oprima el botón **E**.

##### • **Saturación de los filtros antigrasa/carbón activo:**

- Cuando el display **C** centellea alternando la velocidad de funcionamiento con la letra **F** (por ej.: 1 y **F**), deben lavarse los filtros **antigrasa**.

- Cuando el display **C** centellea alternando la velocidad de funcionamiento con la letra **A** (por ej.: 1 y **A**), deben sustituirse los filtros de **carbón**.

Después que ha vuelto a colocar el filtro limpio, debe resetear la memoria electrónica



presionando el botón **A** durante **5 seg.** aproximadamente hasta que deja de centellear la señalación **F** o **A** del display **C**.

#### • **Funcionamiento automático de luces y motor:**

Con la campana en posición OFF, apriete el botón Lógica y el motor se pone en funcionamiento a velocidad 1 y las luces permanecen apagadas. Cuando Lógica percibe la presencia de una persona o un aumento de humo y o vapore, enciende automáticamente las luces y el motor se pone a la velocidad 2. Pasados 15 segundos la luz se apaga y el motor vuelve a la velocidad 1. Para desactivar lógica es suficiente con apretar el botón Lógica.

#### • **Funcionamiento automático luces:**

Con la campana en posición OFF, apriete el botón de encendido de las luces y sucesivamente el botón Lógica. Cuando lógica percibe la presencia de una persona enciende automáticamente las luces. Pasados 15 segundos la luz se apaga. Para desactivar lógica es suficiente con apretar el botón Lógica.

#### • **Funcionamiento automático motor:**

Con la campana en posición OFF, apriete el botón de encendido del motor en velocidad 1 o 2 sucesivamente al botón Lógica. Cuando lógica percibe la presencia de una persona o un aumento de humo y o vapor pone automáticamente el motor a la velocidad más alta. Para desactivar la lógica es suficiente con apretar el botón Lógica.

### ■ **MANTENCIÓN**

- Se recomienda poner en funcionamiento el aparato antes de proceder a la cocción de un alimento cualquiera. Se recomienda también, dejar funcionar el aparato durante 15 minutos después de haber finalizado la cocción para lograr una evacuación completa del aire viciado. El buen funcionamiento de la campana depende de la realización de un correcto y constante mantenimiento; se debe prestar una atención particular al filtro antigrasa y al filtro de carbón activo.

- **El filtro antigrasa** cumple la función de retener las partículas de grasa en suspensión en el aire, por lo tanto, puede atascarse en distintos momentos que dependen del uso del aparato.

- Para prevenir el peligro de incendios, es necesario lavar los filtros antigrasa cada 2 meses como máximo, para lo cual es posible utilizar un lavavajillas.

- Después de algunos lavados, se pueden verificar alteraciones del color. Si esto sucede, no constituye motivo de reclamo para su sustitución.

Si no se cumplen las instrucciones de sustitución o de lavado, existe el riesgo de incendio de los filtros antigrasa.

- **Los filtros de carbón activo** sirven para depurar el aire que se devuelve al ambiente. Los filtros no se pueden lavar o regenerar y deben ser sustituidos cada cuatro meses como máximo. La saturación del carbón activo depende del uso más o menos prolongado del aparato, del tipo de cocina y de la regularidad con la que se realiza la limpieza del filtro antigrasa.

- Limpie frecuentemente la campana, tanto por dentro como por fuera, usando un paño bañado con alcohol de quemar o detergentes líquidos neutros **no** abrasivos.

- La instalación de iluminación ha sido proyectada para ser utilizada durante la cocción y no para su uso prolongado como iluminación general del ambiente. El uso prolongado de la iluminación disminuye notablemente la duración media de las lámparas.

**Precaución !**

Antes de realizar la sustitución de las lámparasdicroicas comprobar la potencia ( Watt) indicada en la placa de datos dentro la campana.

**• Sustitución de las lámparas LED “1.1 W” (Fig.9):**

Sustitúyalas por lámparas del mismo tipo.

**■ ISTRUZIONI IMPORTANTI PER LA SICUREZZA.****■ RELATIVE SOLO A UN USO DOMESTICO.****■ LEGGERE E CONSERVARE LE ISTRUZIONI.****■ LEGGERE COMPLETAMENTE LE ISTRUZIONI PRIMA DI PROCEDERE.****■ IMPORTANTE:** Conservare le Istruzioni a uso degli Ispettori Elettrici Locali.**■ PER L'INSTALLATORE:** Lasciare le Istruzioni nell'unità a uso del proprietario.**■ PER IL PROPRIETARIO:** Conservare le Istruzioni per future consultazioni.**■** Porre la massima attenzione nell'uso di prodotti di pulizia o detergenti.**■** Apparecchio adatto per un uso in ambito domestico e culinario.**■ AVVERTENZA** – Al fine di ridurre il rischio di incendio o scossa elettrica, non usare il motore insieme a nessun Dispositivo di Controllo della Velocità a Semiconduttori.**■ ATTENZIONE** - Al fine di ridurre il rischio di incendio e aspirare correttamente l'aria, assicurarsi che quest'ultima venga trasportata all'esterno attraverso un condotto di evacuazione. – Non scaricare l'aria in intercapedini fra muri o soffitti, o in soffitte, spazi angusti, o garage.**■ ATTENZIONE** – Usare solo per una ventilazione generica. Non è adatto per aspirare materiali o vapori pericolosi o esplosivi.**■ ATTENZIONE** – Al fine di evitare danni al motore e rumori, e/o eliche sbilanciate, evitare il contatto dell'unità di alimentazione con spray, polvere ecc.**■ ATTENZIONE** – Per ulteriori informazioni e richieste, leggere l'etichetta di specificazione sul prodotto.**■ AVVERTENZA** – AL FINE DI RIDURRE IL RISCHIO DI INCENDIO, SCOSSA ELETTRICA, O DANNI ALLE PERSONE, ATTENERSI A QUANTO SEGUE:**A.** Usare l'unità solo per gli scopi previsti dal fabbricante. Per eventuali domande, contattare il fabbricante.**B.** Prima di effettuare operazioni di manutenzione o pulizia sull'unità, staccare la corrente dal pannello di servizio e chiudere a chiave i comandi di disconnessione per evitare accensioni accidentali della corrente di alimentazione.

Qualora i comandi di disconnessione non possano essere chiusi a chiave, fissare saldamente al pannello di servizio un evidente avviso di pericolo, per esempio una targhetta.

**■ AVVERTENZA** – AL FINE DI RIDURRE IL RISCHIO DI INCENDIO DEI GRASSI DALLA

## **SUPERFICIE DEL FORNELLO:**

- A.** Non lasciare mai incustodite le pentole sulla superficie del fornello in posizione alta. Eventuali trabocchi per il bollore possono causare fumo e fuoriuscite di grasso che possono prendere fuoco. Riscaldare l'olio lentamente in posizione bassa o media.
- B.** ACCENDERE sempre la cappa quando si cucina a elevate temperature o quando si flambano i cibi (es. Crêpes Suzette, Cherries Jubilee – ciliegie flambé al brandy e gelato, Manzo flambé al pepe).
- C.** Pulire frequentemente il motore. Evitare che il grasso si accumuli sul motore o sul filtro.
- D.** Usare teglie di dimensioni adatte. Utilizzare sempre utensili da cucina idonei alla dimensione della pentola che si trova sulla superficie del fornello.
- E.** Tenere pulito il motore, i filtri e la superficie dove si accumula il grasso.
- F.** Usare il fornello in posizione alta solo quando necessario. Riscaldare l'olio lentamente nella posizione bassa e media.
- G.** Non lasciare mai il fornello incustodito durante la cottura.
- H.** Usare sempre utensili e attrezzi da cucina adatti al tipo e alla quantità di cibo che si sta preparando.

## **■ AVVERTENZA – AL FINE DI RIDURRE IL RISCHIO DI DANNI A PERSONE IN CASO DI INCENDIO DEL GRASSO DALLA SUPERFICIE DEL FORNELLO, ATTENERSI A QUANTO SEGUE:**

- A.** SOFFOCARE LE FIAMME con un coperchio ermetico, una lastra da forno o un vassoio metallico, quindi spegnere il bruciatore. FARE MOLTA ATTENZIONE DURANTE QUESTA OPERAZIONE PER EVITARE SCOTTATURE. Se le fiamme non si estinguono subito, EVACUARE L'AMBIENTE E CHIAMARE I VIGILI DEL FUOCO.
- B.** NON TOCCARE MAI UNA TEGLIA INFUOCATA – ci si può ustionare.
- C.** NON USARE ACQUA, inclusi stracci o asciugamani umidi – ne deriverebbe una violenta esplosione di vapore.
- D.** Usare un estintore SOLO nel caso in cui:
  - 1.** Si abbia un estintore di Classe ABC, e si sappia come farlo funzionare.
  - 2.** L'incendio sia di piccole dimensioni e contenuto nell'area in cui è scoppiato.
  - 3.** Siano già stati chiamati i vigili del fuoco.
  - 4.** Si possano affrontare le fiamme con la schiena rivolta verso una via d'uscita.

## **Una corretta manutenzione della cappa garantisce un perfetto funzionamento dell'unità.**

## **■ ISTRUZIONI PER L'INSTALLAZIONE**

### **AVVERTENZA – AL FINE DI RIDURRE IL RISCHIO DI INCENDIO, SCOSSA ELETTRICA, O DANNI A PERSONE, ATTENERSI A QUANTO SEGUE:**

- A.** Le operazioni di installazione e collegamento elettrico devono essere effettuate da personale qualificato, conformemente alle leggi e alle norme in vigore, incluse quelle per apparecchi da fuoco.
- B.** E' necessario avere una quantità d'aria sufficiente per una corretta combustione e aspirazione dei gas attraverso la canna fumaria dell'impianto di combustione del carburante, al fine di evitare un tiraggio dell'aria dal retro. Seguire le indicazioni del

fabbricante dell'impianto di riscaldamento e le relative norme di sicurezza, come quelle emesse dall'Associazione Nazionale di Protezione contro gli Incendi (National Fire Protection Association - NFPA), dalla Società Americana dei Tecnici di Riscaldamento, Refrigerazione e Condizionamento dell'Aria (American Society for Heating, Refrigeration and Air Conditioning Engineers - ASHRAE), e dalle autorità locali preposte.

- C. Durante le operazioni di taglio o perforazione del muro o del soffitto, fare attenzione a non danneggiare i cavi elettrici o altre utenze nascoste.
- D. L'apparecchio deve essere sempre collegato a un foro di evacuazione verso l'esterno.
- E. L'unità deve essere collegata a terra.

■ **AVVERTENZA** – AL FINE DI RIDURRE IL RISCHIO DI INCENDIO, USARE SOLO CONDOTTI METALLICI.

■ **AVVERTENZA** – IN ALCUNI CASI GLI ELETTRODOMESTICI POSSONO RIVELARSI PERICOLOSI.

- A. Non controllare i filtri quando la cappa è in funzione.
  - B. Non toccare le luci dopo un uso prolungato dell'apparecchio.
  - C. Non flambare mai un cibo sotto la cappa.
  - D. L'uso di fiamme libere è pericoloso per i filtri e può generare incendi.
  - E. Controllare costantemente il cibo fritto per evitare che gli schizzi dell'olio della frittura possano prendere fuoco.
  - F. Prima di effettuare qualsiasi operazione di manutenzione, scollegare la cappa dalla rete elettrica.
- Il fabbricante non si riterrà responsabile per eventuali danni causati dalla mancata osservazione delle istruzioni sopra riportate.

- **ISTRUZIONI PER L'INSTALLAZIONE.**
- **ISTRUZIONI PER IL FUNZIONAMENTO.**
- **LEGGERE E CONSERVARE LE ISTRUZIONI.**

#### ■ **GENERALITÀ**

Leggere attentamente le seguenti informazioni, relative alla sicurezza nelle operazioni di installazione e manutenzione. Conservare questo opuscolo informativo per ulteriori future consultazioni. L'elettrodomestico è stato progettato per essere utilizzato nella versione aspirante (evacuazione dell'aria verso l'esterno - Fig.1).

#### ■ **ISTRUZIONI PER L'INSTALLAZIONE**

##### • **Collegamento all'alimentazione elettrica:**

Per collegare l'elettrodomestico all'alimentazione elettrica, fare riferimento a quanto segue, Fig.8:

**NERO = L** linea

**BIANCO = N** neutro

**VERDE/GIALLO = G** terra

Deve essere installato un interruttore bipolare appropriatamente commisurato che permetta alla cappa di scollegarsi dall'alimentazione elettrica. L'elettrodomestico deve essere installato a un'altezza minima di 26 pollici (66 cm) dai fornelli elettrici, e di 30 pollici (76 cm) nel caso si usino fornelli a gas o combinati. Se viene utilizzato un condotto che si compone di due parti, quella superiore deve essere collocata all'esterno di quella inferiore. Non collegare il condotto di aspirazione dell'aria della cappa a quello usato per aspirare l'aria calda o i fumi di altri elettrodomestici che non siano elettrici. Prima di procedere con le operazioni di assemblaggio, togliere il/i filtro/i antigrasso (Fig.7). In questo modo sarà più facile manovrare l'unità.

■ **ATTENZIONE: QUESTA OPERAZIONE DEVE ESSERE ESEGUITA CON L'APPARECCHIO NON COLLEGATO ALLA RETE DI ALIMENTAZIONE. Prima di collegare l'apparecchio alla rete di alimentazione la scatola impianto elettrico deve essere posizionata nella sede come indicato in Fig.1.**

##### • **Prima di procedere all'installazione dell'apparecchio effettuare il fissaggio della scatola impianto elettrico come indicato in Fig.1:**

- Togliere la vite centrale Fig.1A.
- Sollevare la scatola impianto elettrico Fig.1B.
- Togliere le 3 viti già fissate Fig.1C.
- Posizionare la scatola impianto elettrico in modo che sia in asse con i fori delle viti precedentemente tolte Fig.1D e riavvitare.
- Fare attenzione che la linguetta della scatola impianto elettrico sia all'interno dell'asola e riavvitare la vite Fig.1E.

##### • **Fissaggio al muro:**

Con l'ausilio di un trapano effettuare i fori **A** rispettando le distanze indicate (Fig.3). Fissare

l'elettrodomestico alla parete e allinearla in posizione orizzontale con le unità a muro. Quando l'apparecchio è stato regolato, fissarlo definitivamente mediante le viti **A** (Fig.5). Per le varie installazioni utilizzare le viti e i relativi supporti adatti al tipo di muro su cui si deve fissare l'apparecchio (es. cemento armato, cartongesso, ecc.). Nel caso in cui le viti e i relativi supporti vengano forniti insieme al prodotto, controllare che siano adatti al tipo di muro che dovrà sorreggere la cappa.

#### • **Fissaggio della canna fumaria telescopica decorativa:**

Predisporre l'alimentazione elettrica in modo che sia coperta dal tubo telescopico decorativo. Predisporre il foro di evacuazione dell'aria. Regolare la larghezza della staffa di supporto del tubo decorativo superiore (Fig.4). Quindi fissare la staffa al soffitto mediante le viti **A** (Fig.4) in modo tale da allinearla con la cappa e rispettando la distanza dal soffitto indicata nella Fig.3. Collegare la flangia **C** al foro di evacuazione dell'aria utilizzando un tubo di raccordo (Fig.5). Inserire il tubo decorativo superiore dentro al tubo inferiore. Fissare quest'ultimo alla cappa mediante le viti **B** in dotazione (Fig.5), estrarre il tubo superiore portandolo fino alla staffa e fissarlo mediante le viti **B** (Fig.4).

#### ■ **USO**

##### **L'apparecchio è provvisto dei seguenti comandi (Fig.6):**

**Tasto A** = Accende/spegne le luci.

**Tasto B** = Accende/spegne la cappa. L'apparecchio si accende alla 1° velocità. Se la cappa è accesa premere il tasto per 2 sec. per spegnere. Se la cappa si trova alla 1° velocità non è necessario tenere premuto il tasto per spegnere. Diminuisce la velocità del motore.

**Display C** = Indica la velocità del motore selezionata e l'attivazione del timer.

**Tasto D** = Accende la cappa. Aumenta la velocità del motore. Premendo il tasto dalla 3° velocità si inserisce la funzione intensiva per 10', poi l'apparecchio ritorna a funzionare alla velocità di esercizio al momento dell'attivazione. Durante questa funzione il display lampeggia.

**Tasto E** = Il Timer temporizza le funzioni, al momento dell'attivazione, per 15 minuti dopo di che queste vengono spente. Il Timer si disattiva ripremendo il tasto **E**. Quando la funzione Timer è attiva sul display deve lampeggiare il punto decimale. Se è in funzione la velocità intensiva il Timer non si può attivare.

Premendo il tasto **E** per 2 secondi, quando l'apparecchio è spento, si attiva la funzione "**clean air**". Questa accende il motore per 10 minuti ogni ora alla prima velocità. Durante il funzionamento il display deve visualizzare un movimento rotatorio dei segmenti periferici. Trascorso questo tempo il motore si spegne e il display deve visualizzare la lettera "**C**" fissa fino a quando dopo altri 50 minuti il motore riparte per altri 10 minuti e così via. Per ritornare al funzionamento normale premere qualsiasi tasto tranne quello delle luci. Per disattivare la funzione premere il tasto **E**.

#### • **Saturazione filtri Antigrasso/Carbone attivo:**

- Quando il display **C** lampeggia alternando la velocità d'esercizio con la lettera **F** (es.1 e **F**) i filtri **antigrasso** devono essere lavati.

- Quando il display **C** lampeggia alternando la velocità d'esercizio con la lettera **A** (es.1 e

**A)** i filtri **carbone** devono essere sostituiti.

Una volta ricollocato il filtro pulito bisogna resettare la memoria elettronica premendo il tasto **A** per circa **5 sec.** fino a che termina di lampeggiare la segnalazione **F** o **A** del display **C**.

• **Funzionamento automatico luci più motore:**

Con la cappa in posizione OFF premere il pulsante logica. Il motore si avvia alla velocità 1 e le luci rimangono spente. Quando Logica rileva la presenza di una persona o un aumento di fumo e/o vapore, accende automaticamente le luci e porta il motore alla velocità 2. Dopo 15 secondi la luce si spegne ad il motore torna sulla velocità 1. Per disattivare logica è sufficiente premere il pulsante Logica.

• **Funzionamento automatico luci:**

Con la cappa in posizione OFF, premere il pulsante di accensione delle luci e successivamente il pulsante Logica. Quando logica rileva la presenza di una persona accende automaticamente le luci. Dopo 15 secondi la luce si spegne. Per disattivare logica è sufficiente premere il pulsante Logica.

• **Funzionamento automatico motore:**

Con la cappa in posizione OFF, premere il pulsante di accensione del motore in velocità 1 o 2 successivamente il pulsante Logica. Quando logica rileva la presenza di una persona o un aumento di fumo e/o vapore porta automaticamente il motore alla velocità più alta. Per disattivare la Logica è sufficiente premere il pulsante Logica.

## ■ MANUTENZIONE

• Si raccomanda di mettere in funzione l'apparecchio prima di procedere alla cottura di un qualsiasi alimento. Si raccomanda di lasciar funzionare l'apparecchio per 15 minuti dopo aver terminato la cottura dei cibi, per un'evacuazione completa dell'aria viziata.

Il buon funzionamento della cappa è condizionato da una corretta e costante manutenzione; una particolare attenzione deve essere data al filtro antigrasso e al filtro al carbone attivo.

• **Il filtro antigrasso** ha il compito di trattenere le particelle grasse in sospensione nell'aria, pertanto è soggetto ad intasarsi in tempi variabili relativamente all'uso dell'apparecchio.

- Per prevenire il pericolo di eventuali incendi, al massimo ogni 2 mesi è necessario lavare i filtri antigrasso, per i quali è possibile utilizzare anche la lavastoviglie.

- Dopo alcuni lavaggi, si possono verificare delle alterazioni del colore. Questo fatto non dà diritto a reclamo per l'eventuale loro sostituzione.

In caso di inadempienza delle istruzioni di sostituzione e di lavaggio si può verificare il rischio di incendio dei filtri antigrasso.

• **I filtri al carbone attivo** servono per depurare l'aria che viene rimessa nell'ambiente. I filtri non sono lavabili o rigenerabili e devono essere sostituiti ogni quattro mesi al massimo. La saturazione del carbone attivo dipende dall'uso più o meno prolungato dell'apparecchio, dal tipo di cucina e dalla regolarità con cui viene effettuata la pulizia del filtro antigrasso.

• Pulire frequentemente la cappa, sia internamente che esternamente, usando un panno



inumidito con alcool denaturato o detersivi liquidi neutri **non** abrasivi.

- L'impianto di illuminazione è progettato per l'uso durante la cottura e non per l'uso prolungato di illuminazione generale dell'ambiente. L'uso prolungato dell'illuminazione diminuisce notevolmente la durata media delle lampade.

### **Attenzione!**

Prima di effettuare la sostituzione delle lampade dicroiche controllare il Wattaggio indicato sulla targa dati posta all'interno della cappa.

- **Sostituzione delle lampade Led 1.1W" (Fig.9):**

- Sostituire con lampade dello stesso tipo.







3011000118000.00