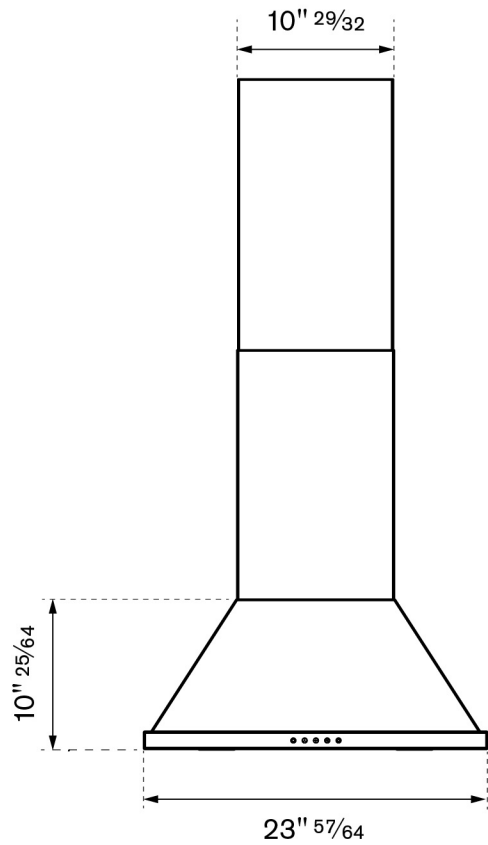
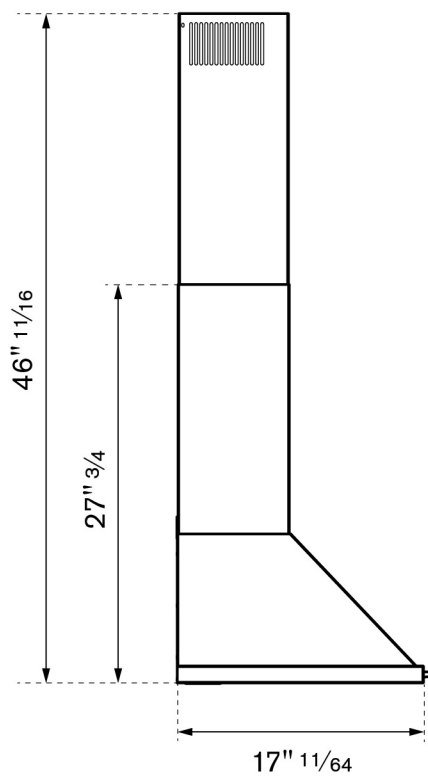


**PRODUCT DIMENSIONS**

FRONT VIEW



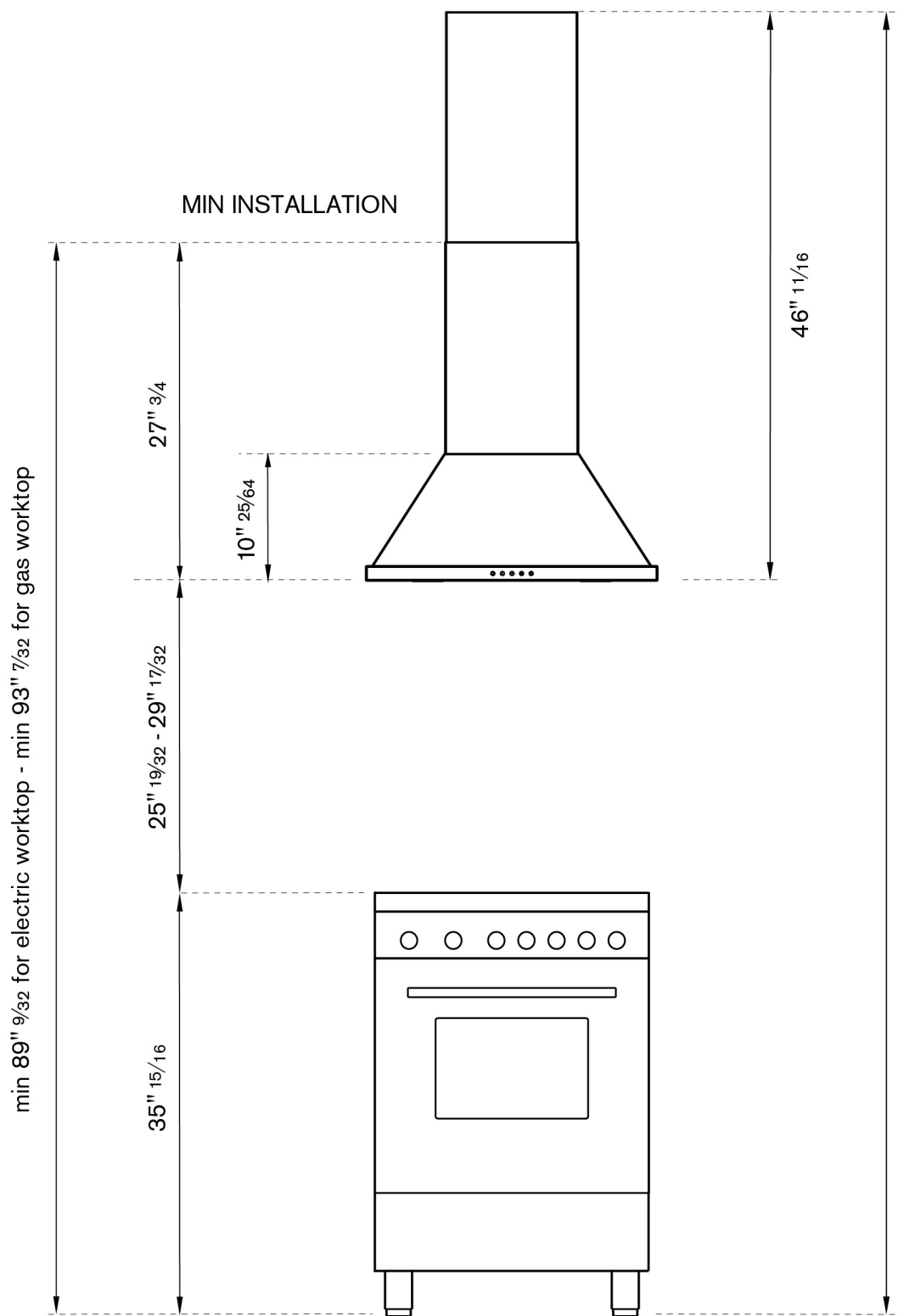
SIDE VIEW



**PRODUCT INSTALLATION**

MAX INSTALLATION

MIN INSTALLATION



**Hood Clearance**

Recommended height above cooking surface:  
 min 25" <sup>19</sup>/<sub>32</sub> for electric worktop  
 min 29" <sup>17</sup>/<sub>32</sub> for gas worktop

**ELECTRICAL CONNECTION**

The Power Supply Cord and plug must be connected to a separate 120 Volt AC 60 Hz, 15 Amp or more branch circuit, single grounded receptacle. The cord has a 3-pronged plug and must be installed into an outlet that is properly grounded. The electrical receptacle must be within the minimum cord length of 43".

WHEN USING 3-PRONGED PLUG

