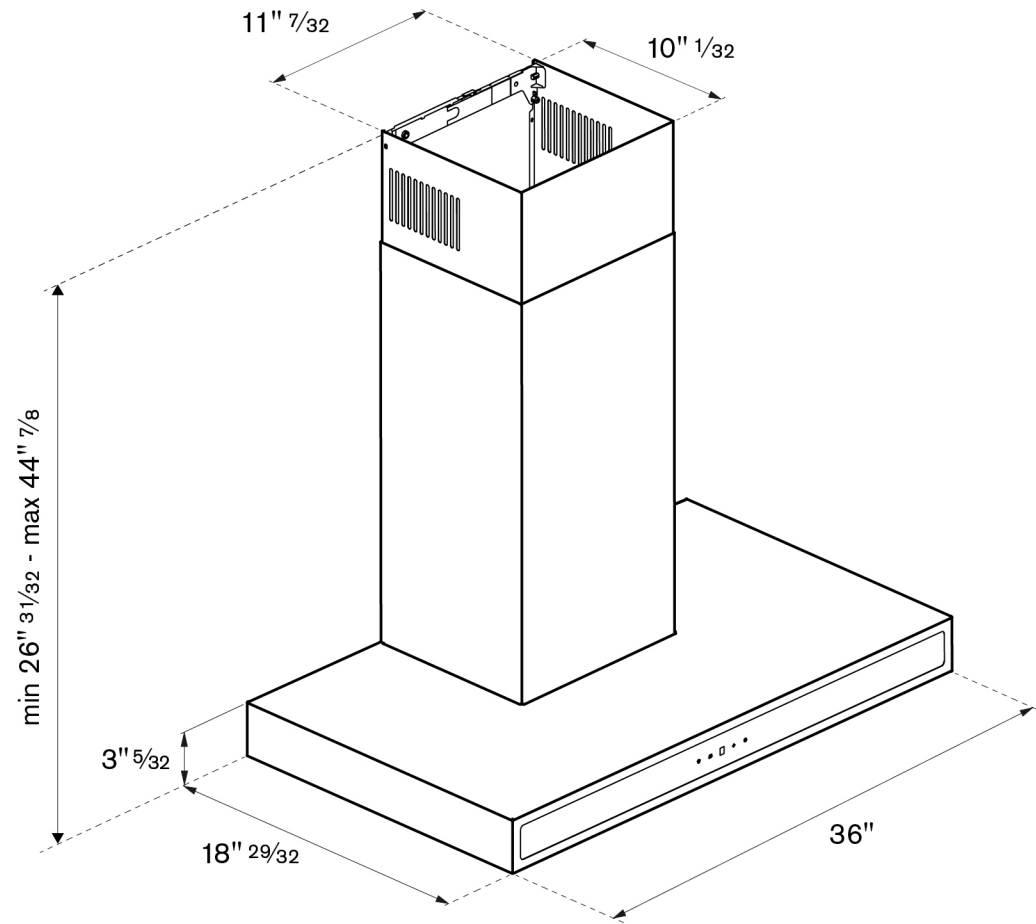
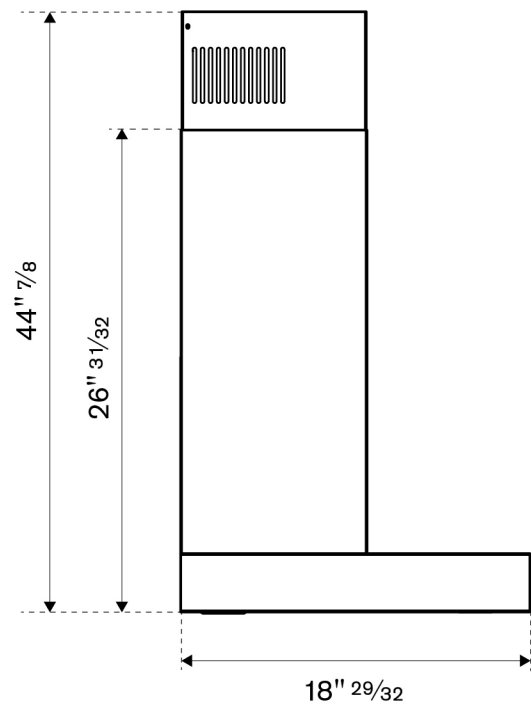


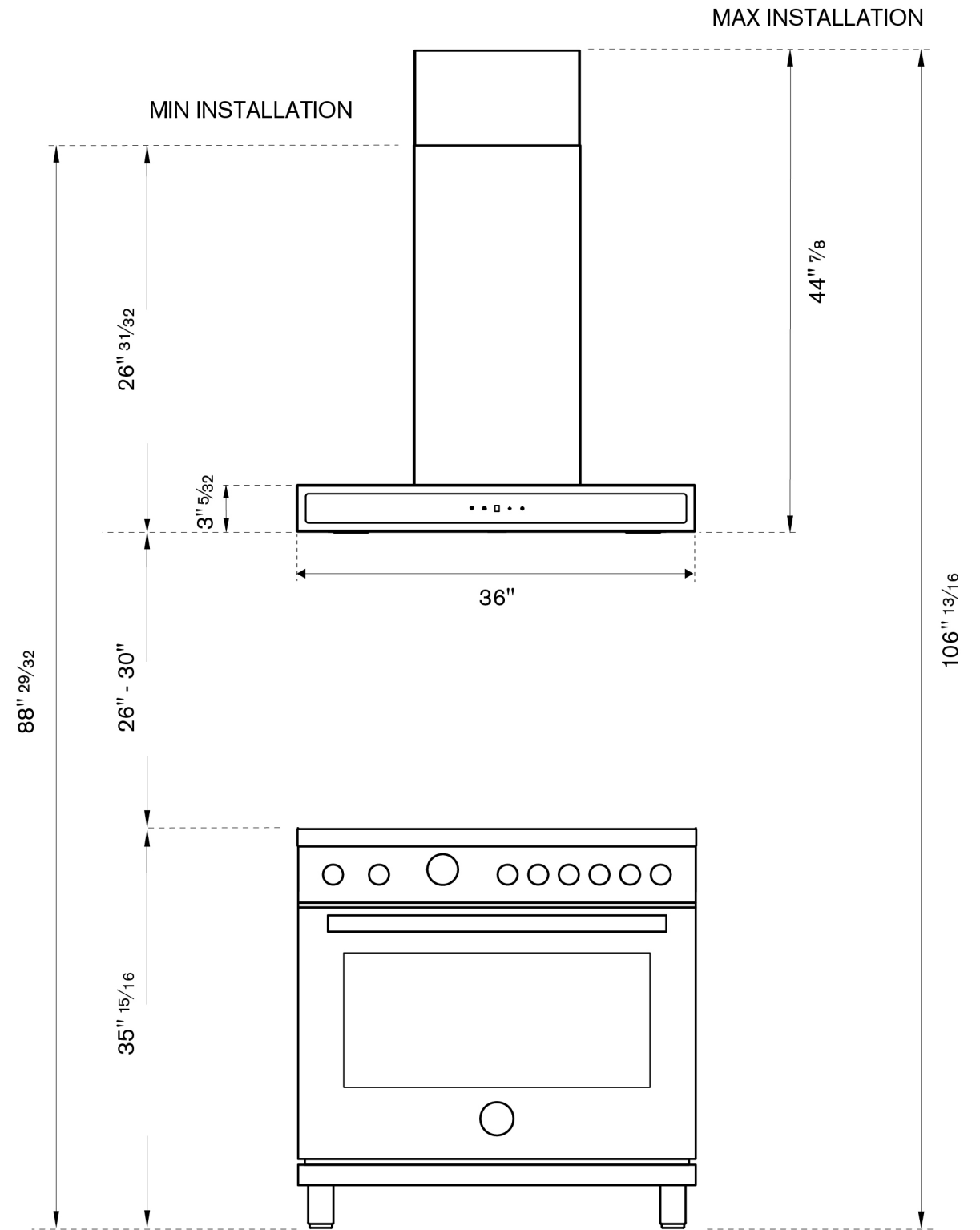
**PRODUCT DIMENSIONS**



**SIDE VIEW**



**PRODUCT INSTALLATION**



**Hood Clearance**

Recommended height above cooking surface:  
 min 26" for electric worktop  
 min 30" for gas worktop